

US00D497573S1

(12) **United States Design Patent**
James

(10) Patent No.: **US D497,573 S**

(45) Date of Patent: **** Oct. 26, 2004**

(54) **MOTORCYCLE**

(75) Inventor: **Jesse G. James**, Surfside, CA (US)

(73) Assignee: **Honda Motor Co., Ltd.**, Tokyo (JP)

(**) Term: **14 Years**

(21) Appl. No.: **29/195,193**

(22) Filed: **Dec. 9, 2003**

(51) **LOC (7) Cl.** **12-11**

(52) **U.S. Cl.** **D12/110**

(58) **Field of Search** **D12/110; 180/219**

(56) **References Cited**

U.S. PATENT DOCUMENTS

D344,046 S * 2/1994 Kitagawa et al. D12/110

D398,265 S * 9/1998 Robb et al. D12/110

* cited by examiner

Primary Examiner—Alan P. Douglas

Assistant Examiner—Linda Brooks

(74) *Attorney, Agent, or Firm*—Plumsea Law Group, LLC

(57) **CLAIM**

The ornamental design for a motorcycle, as shown and described.

DESCRIPTION

FIG. 1 is a left front perspective view of a motorcycle showing my new design;

FIG. 2 is a right front perspective view thereof;

FIG. 3 is a left side view thereof;

FIG. 4 is a right side view thereof;

FIG. 5 is a left side elevational view thereof;

FIG. 6 is a right side elevational view thereof;

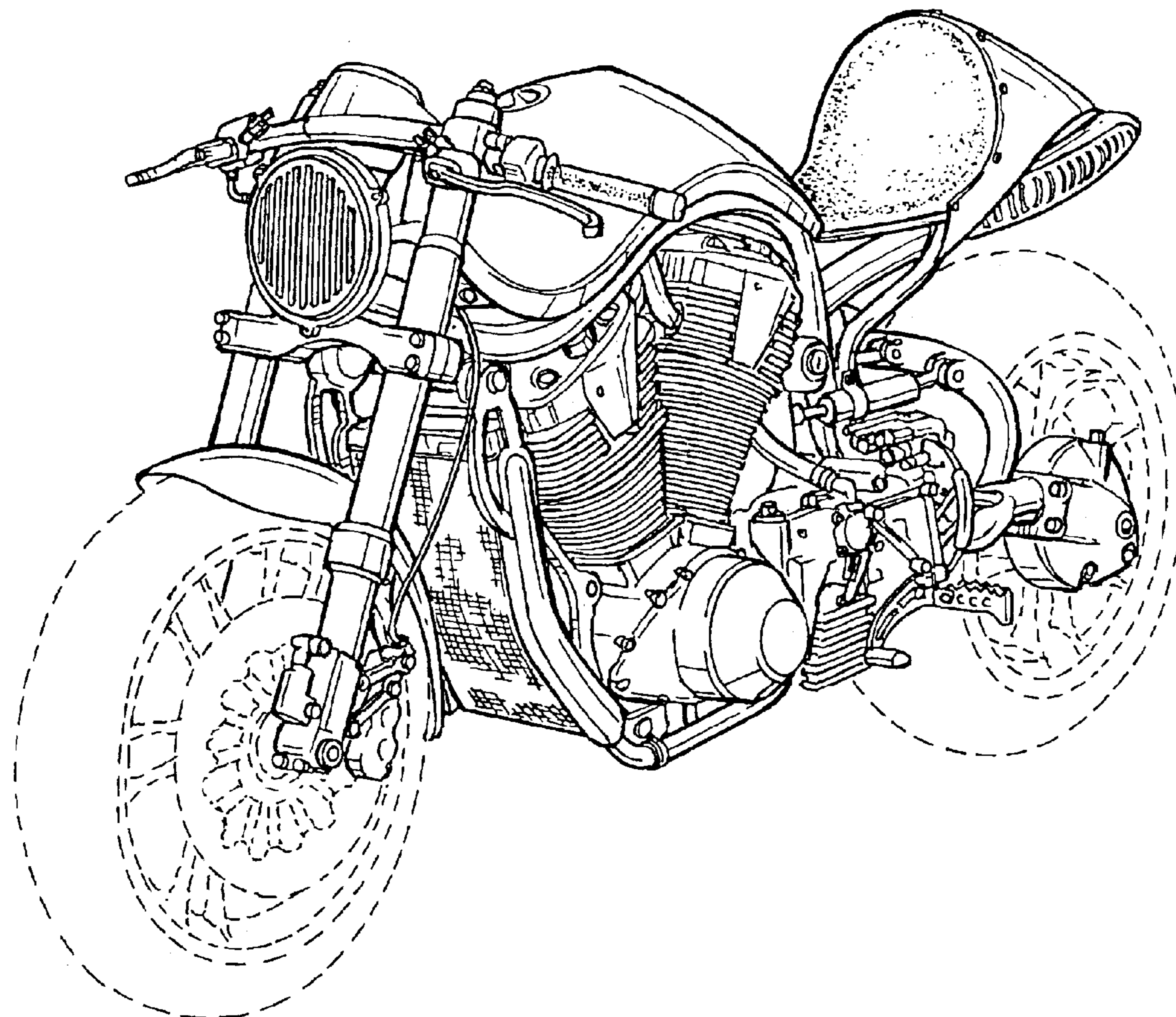
FIG. 7 is a front elevational view thereof;

FIG. 8 is a rear elevational view thereof; and,

FIG. 9 is a top plan view thereof.

The broken line showings of the wheels and tires are for illustrative purposes only and form no part of the claimed invention.

1 Claim, 8 Drawing Sheets



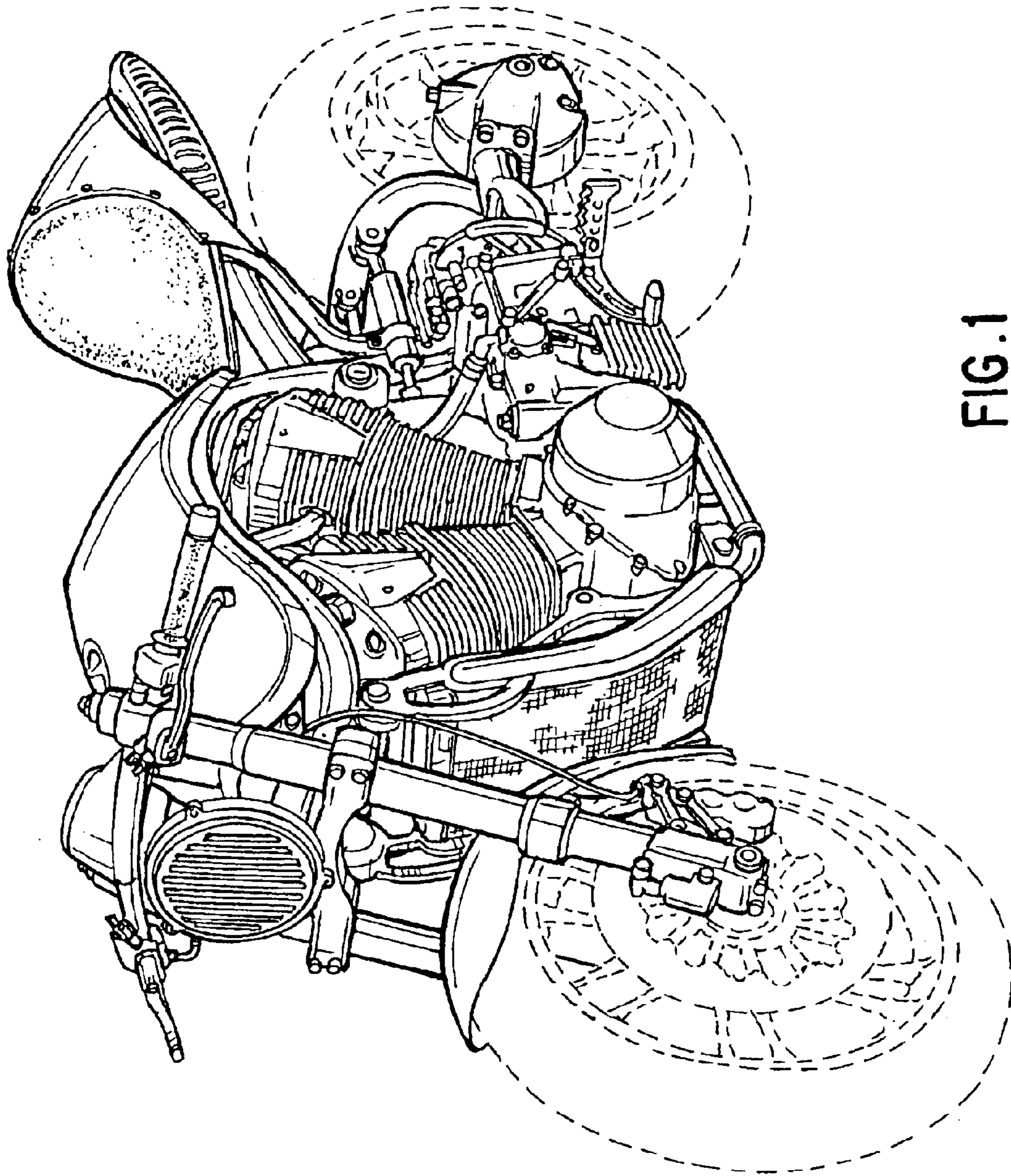


FIG. 1

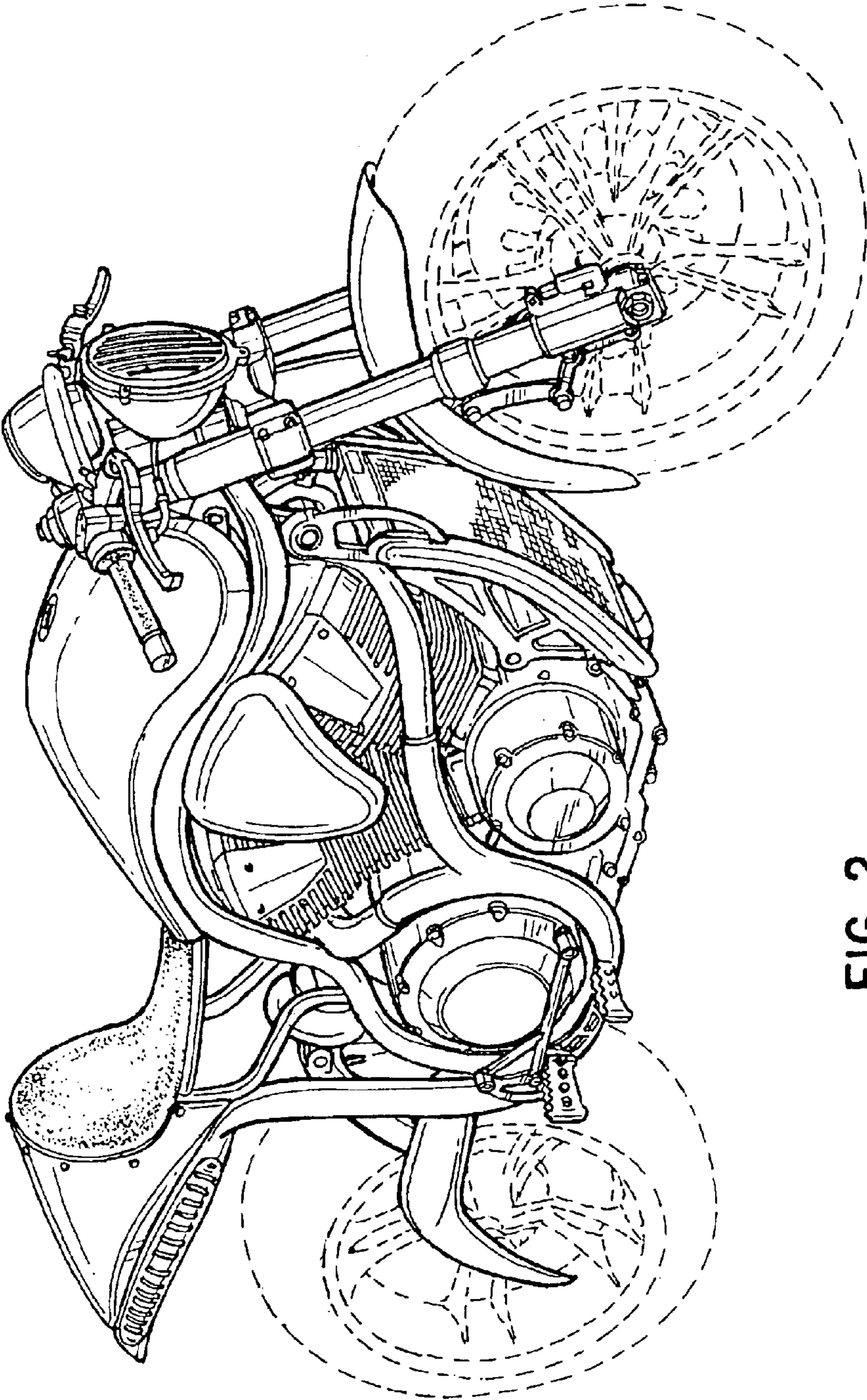


FIG. 2

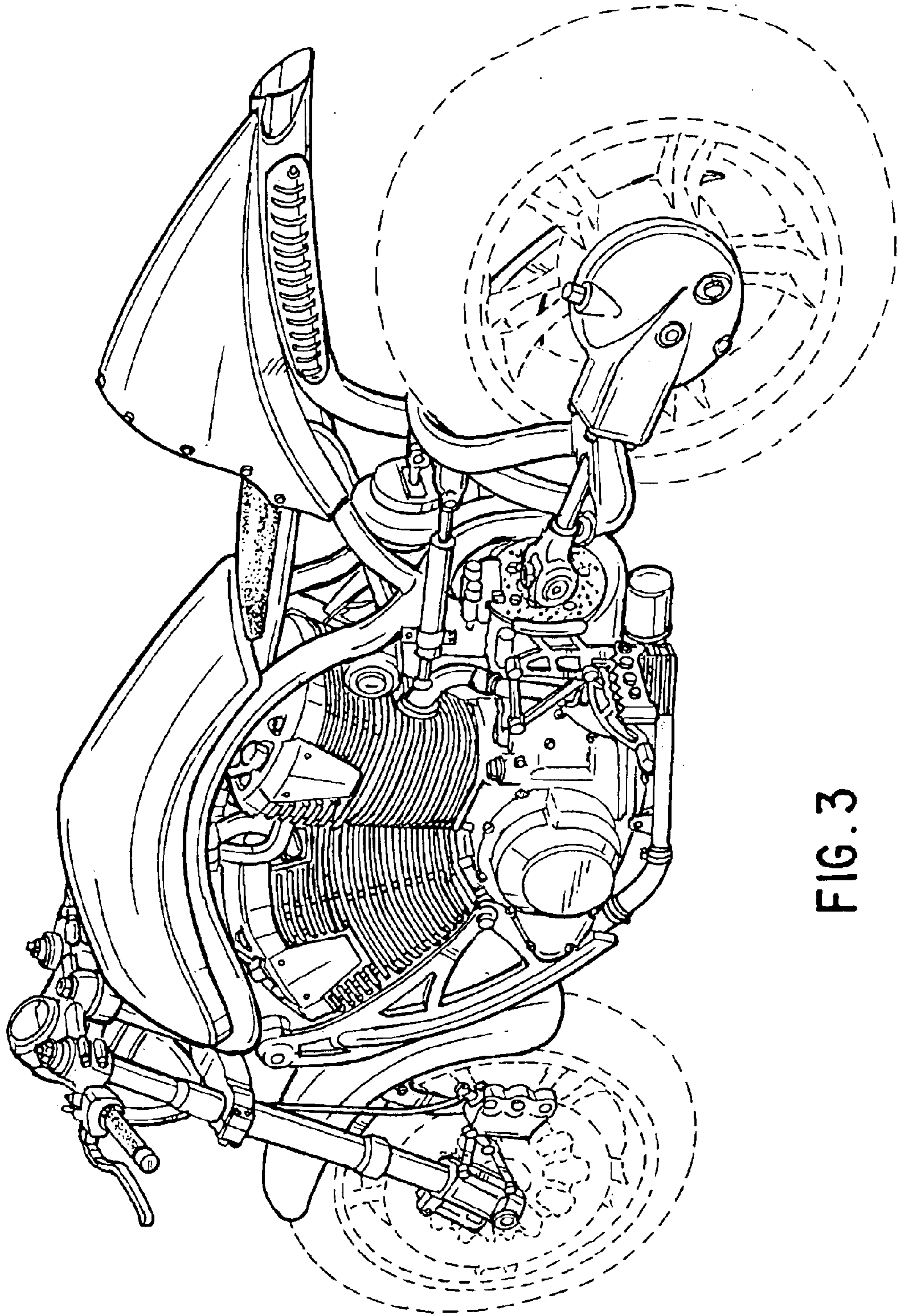


FIG. 3

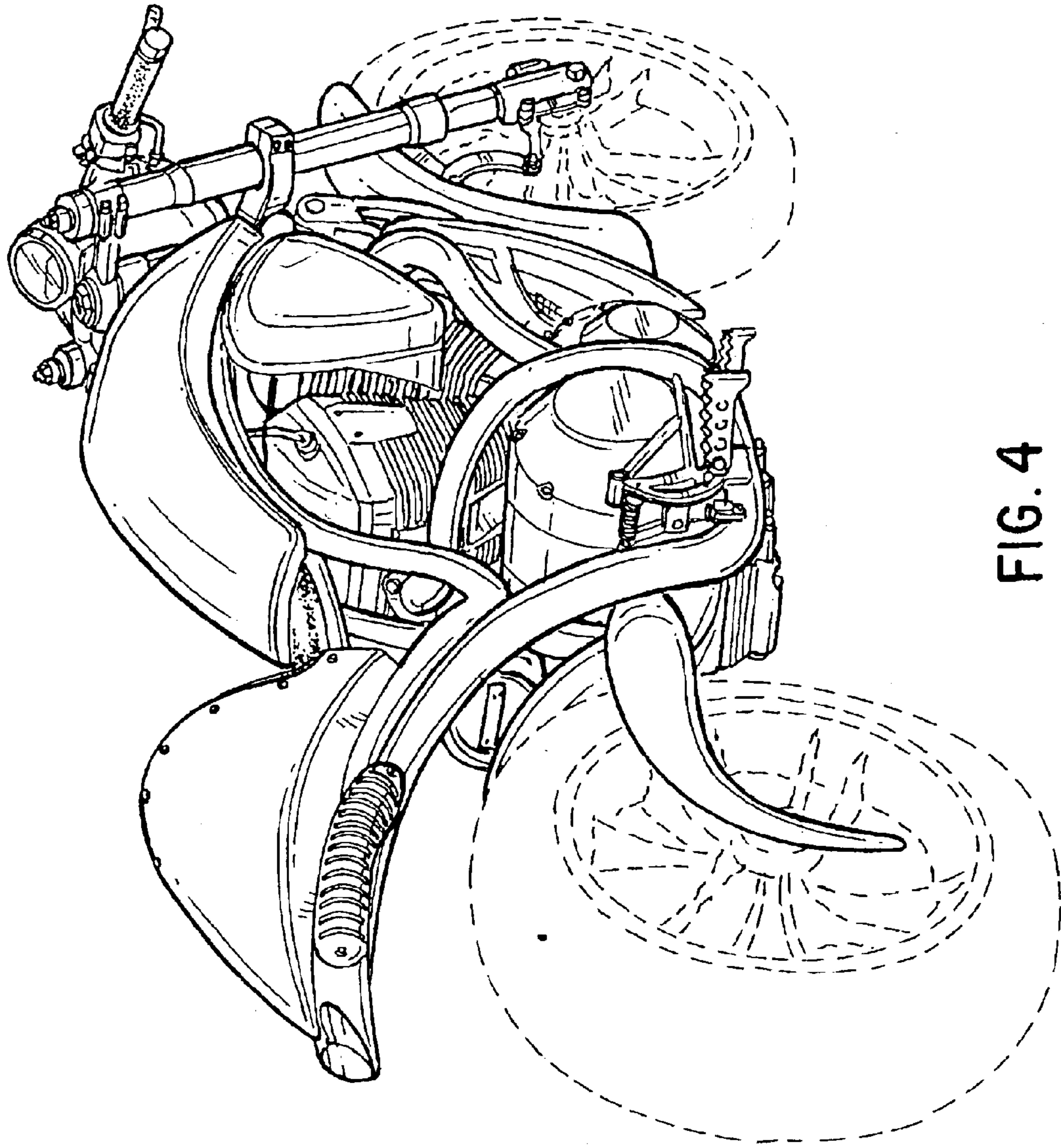


FIG. 4

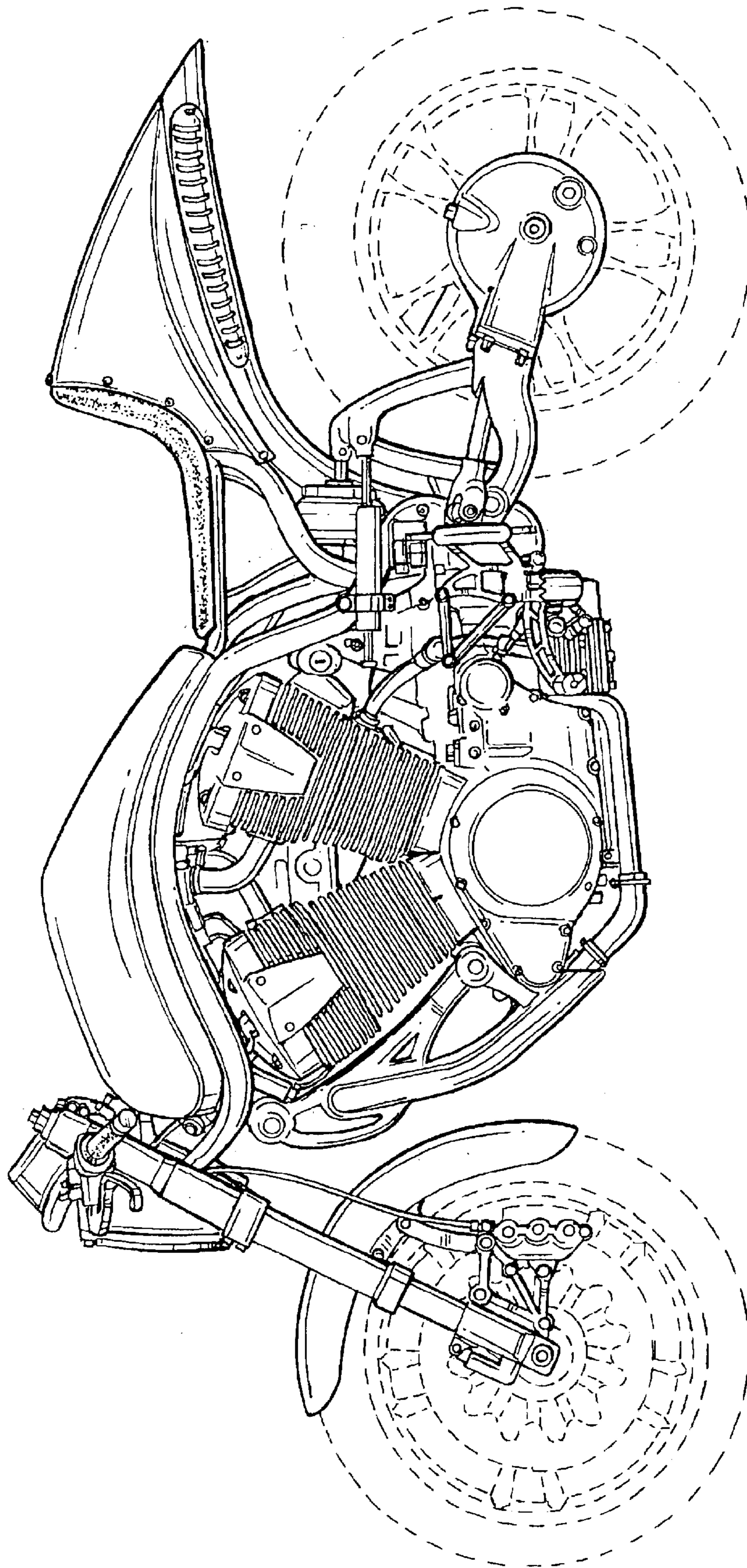


FIG. 5

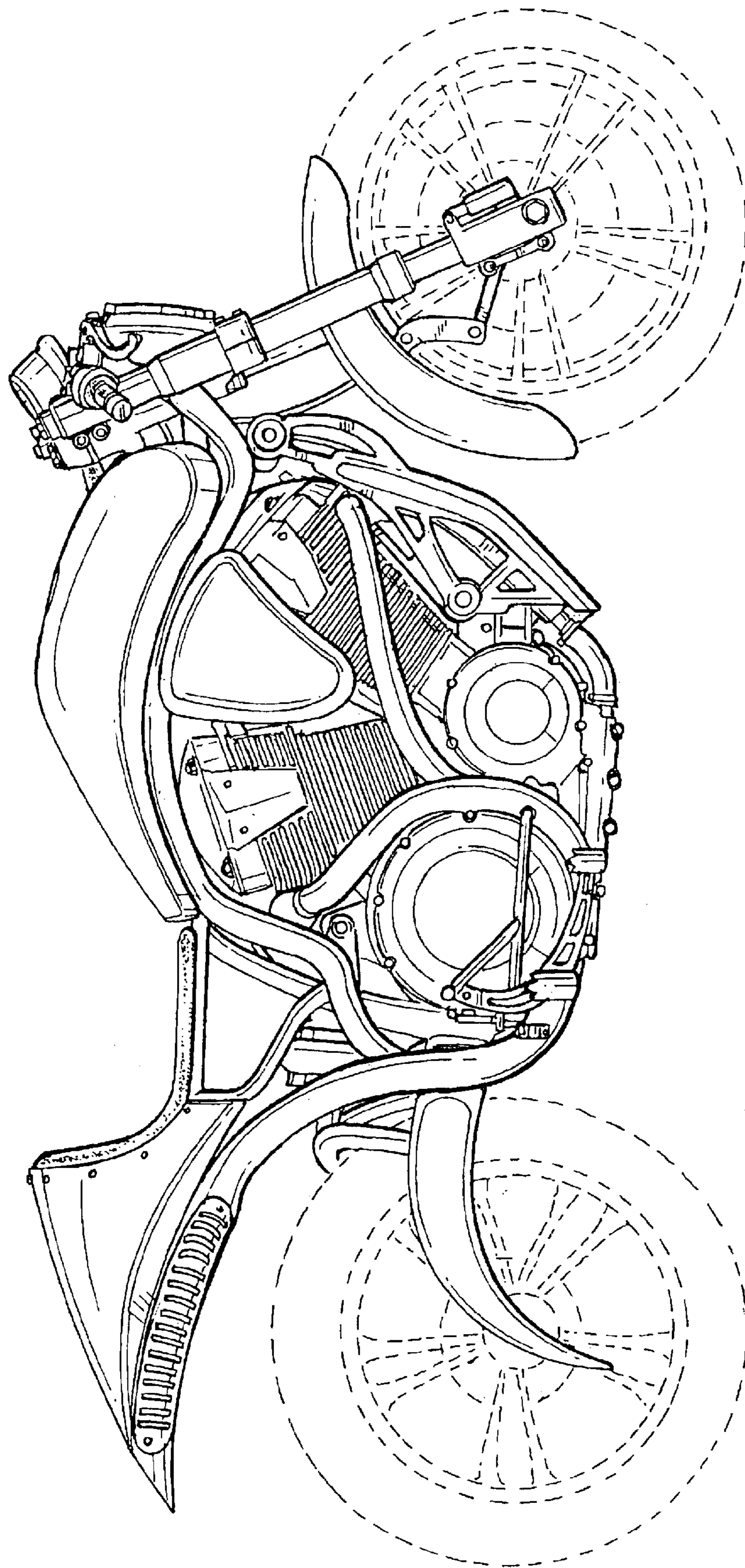


FIG. 6

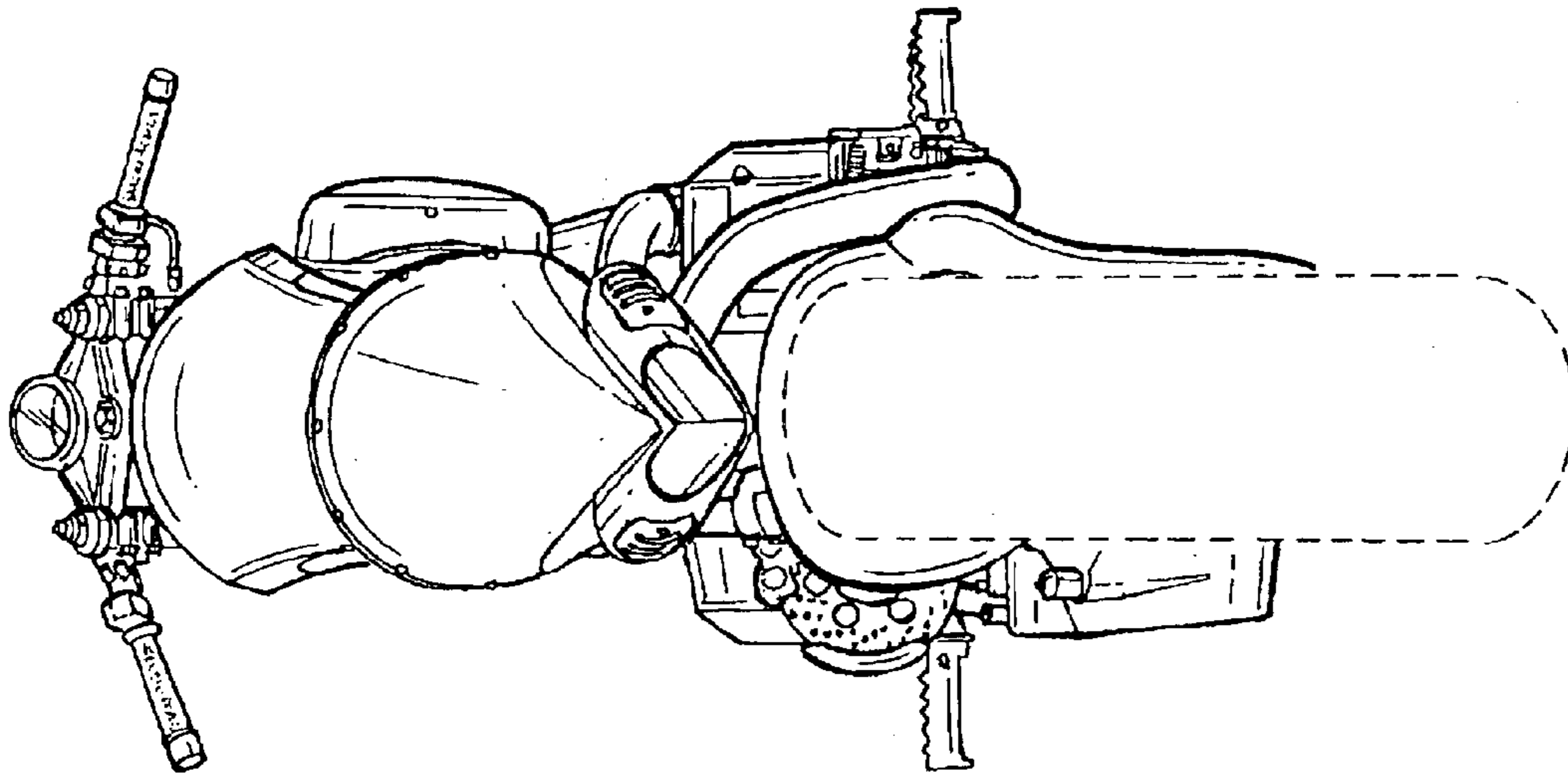


FIG. 8

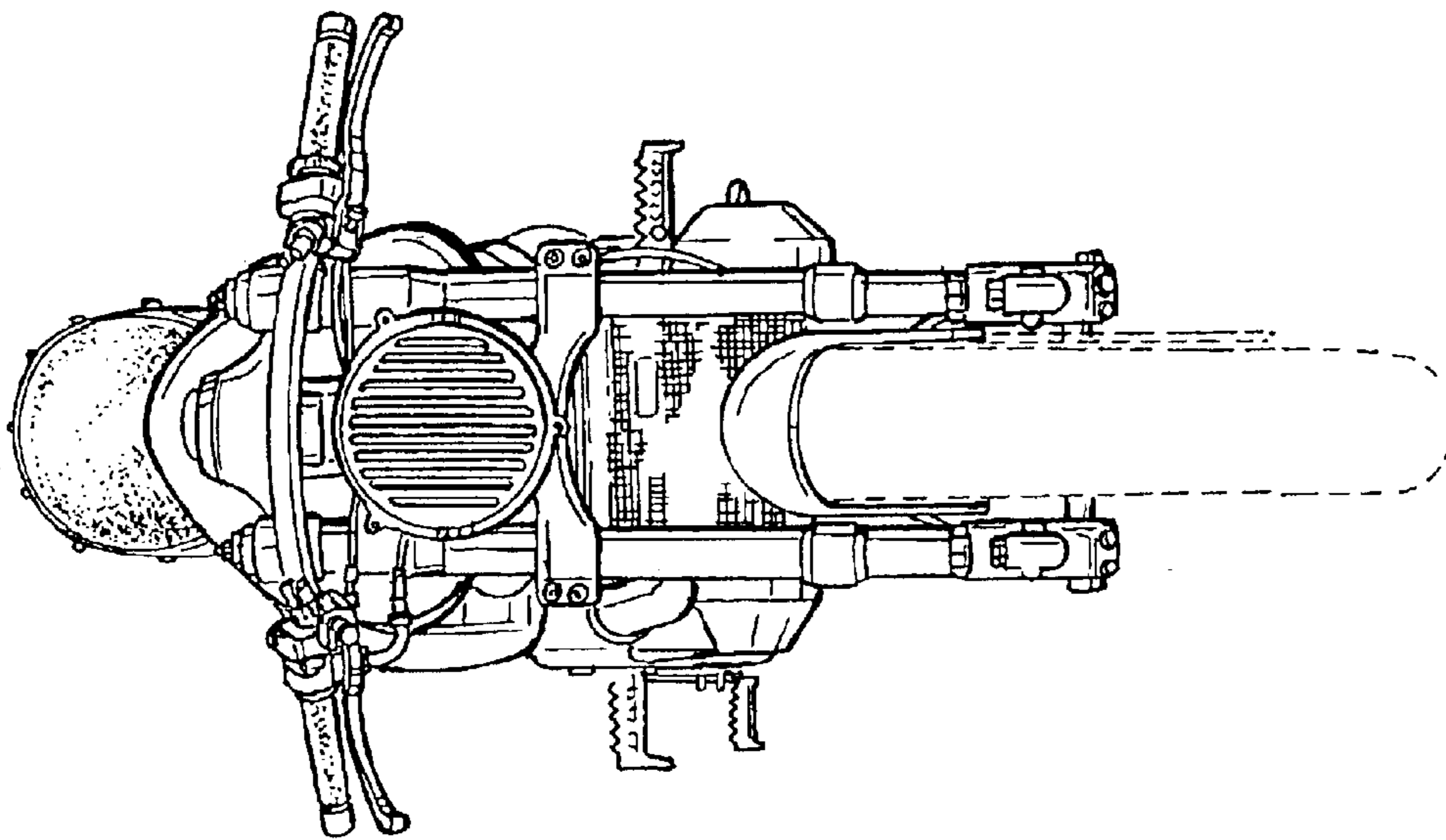


FIG. 7

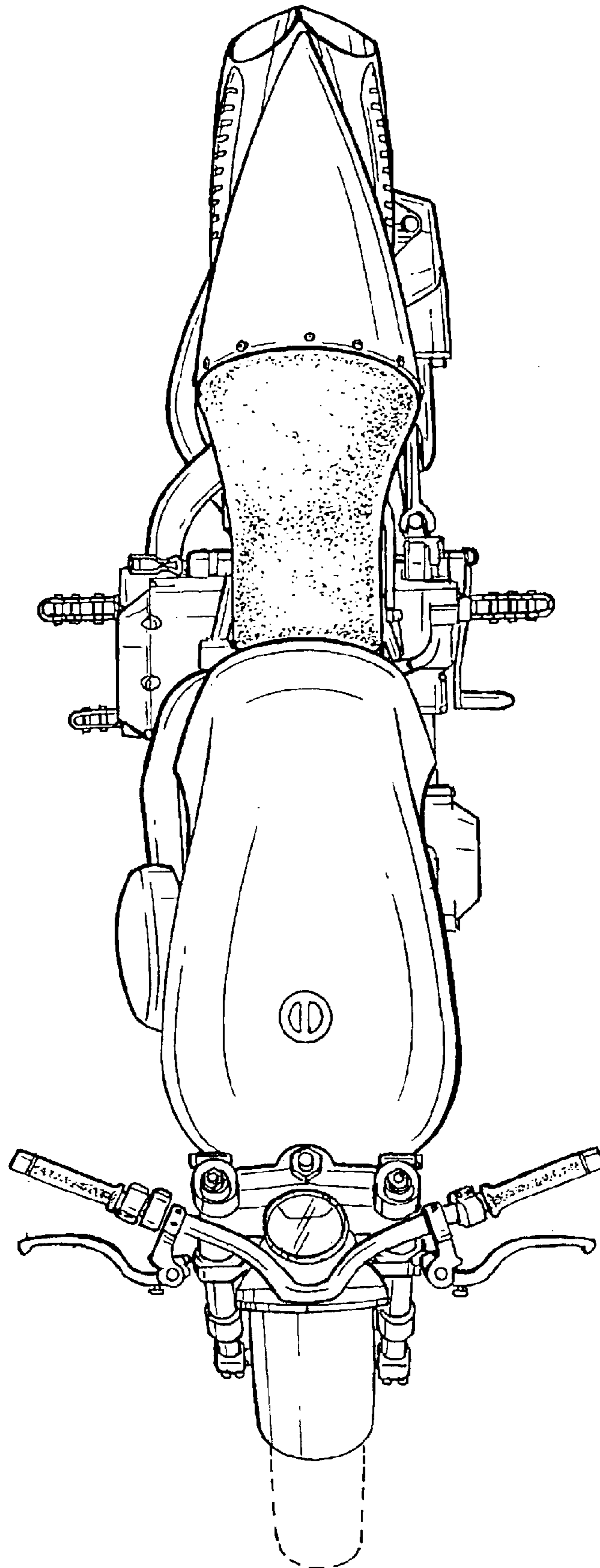


FIG. 9