

US00D497564S1

(12) **United States Design Patent**
Primos et al.

(10) **Patent No.:** **US D497,564 S**
(45) **Date of Patent:** **** Oct. 26, 2004**

(54) **OPEN REED GAME CALL APPARATUS**
(75) Inventors: **Wilbur R. Primos**, Madison, MS (US);
Anthony A. Foster, Brookhaven, MS
(US); **Randy Anderson**, Naper, NE
(US)

(73) Assignee: **Primos, Inc.**, Flora, MS (US)

(**) Term: **14 Years**

(21) Appl. No.: **29/199,100**

(22) Filed: **Feb. 10, 2004**

(51) **LOC (7) Cl.** **10-05**

(52) **U.S. Cl.** **D10/119**

(58) **Field of Search** D10/116, 119,
D10/120; 446/67, 202, 204-208, 397; 84/387 R;
43/2

(56) **References Cited**

U.S. PATENT DOCUMENTS

1,043,123 A	*	11/1912	McCluskey	446/208
2,321,193 A		6/1943	Garrison	45/180
2,544,370 A	*	3/1951	Walther	446/208
2,604,731 A		7/1952	Meucci	46/180
4,050,186 A		9/1977	Schultz et al.	46/180

4,612,001 A		9/1986	Burnham	446/209
4,737,130 A		4/1988	Mann	446/207
4,950,451 A	*	8/1990	Nakajima et al.	420/481
D385,819 S		11/1997	Chen	D10/119
5,735,725 A	*	4/1998	Primos	446/207
D441,679 S		5/2001	Foiles	D10/119
D451,418 S	*	12/2001	Thompson	D10/119
6,435,933 B1	*	8/2002	Browne	446/207

* cited by examiner

Primary Examiner—Nelson C. Holtje

(74) *Attorney, Agent, or Firm*—Holland & Hart

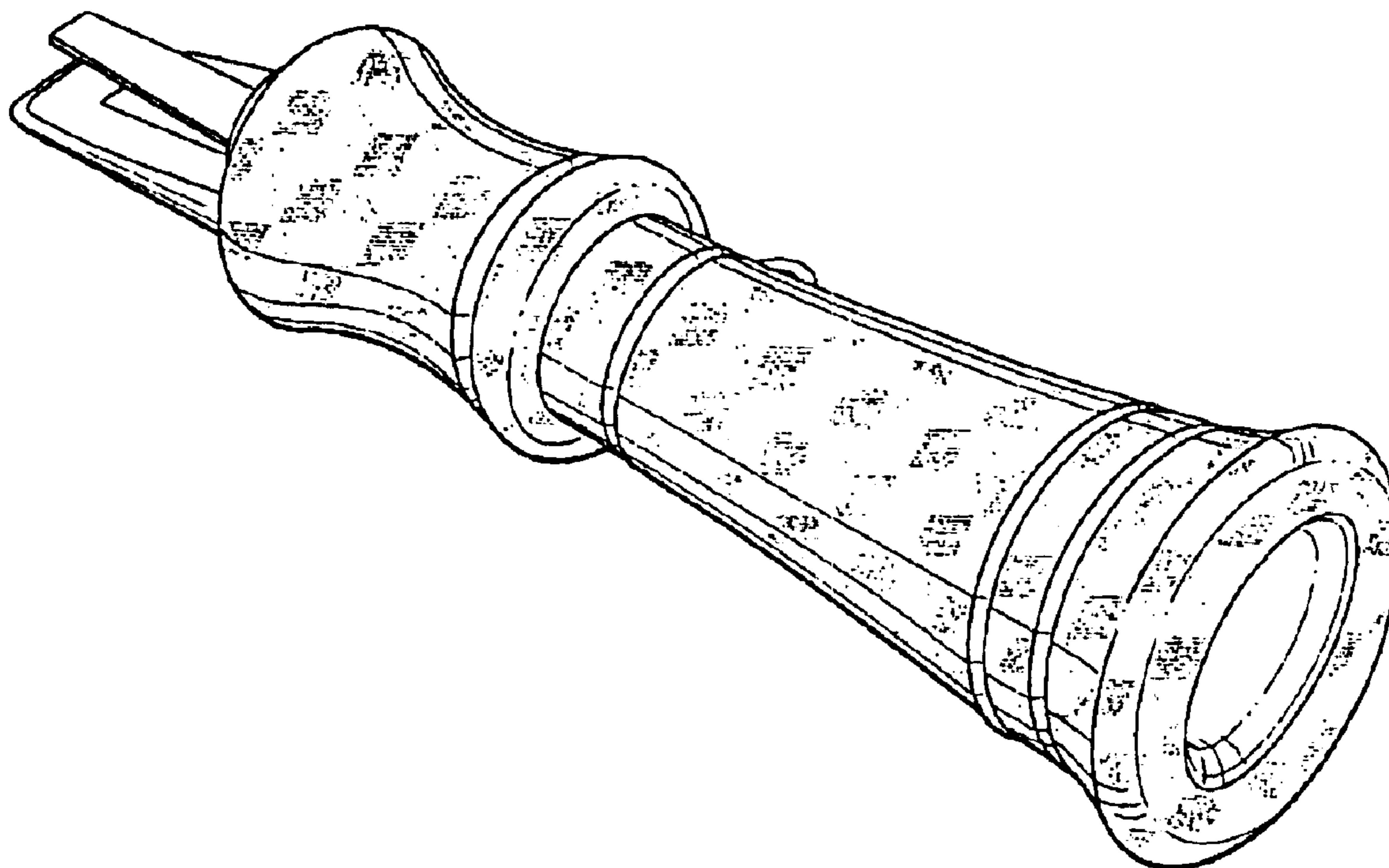
(57) **CLAIM**

The ornamental design for an “open reed game call apparatus”, as shown and described.

DESCRIPTION

FIG. 1 is a perspective view of an open reed game call apparatus according to the present invention; FIG. 2 is a left side elevation view thereof; FIG. 3 is a top view thereof; FIG. 4 is a bottom view thereof; FIG. 5 is a right side elevation view thereof; FIG. 6 is a rear elevation view thereof; and, FIG. 7 is a front elevation view thereof.

1 Claim, 2 Drawing Sheets



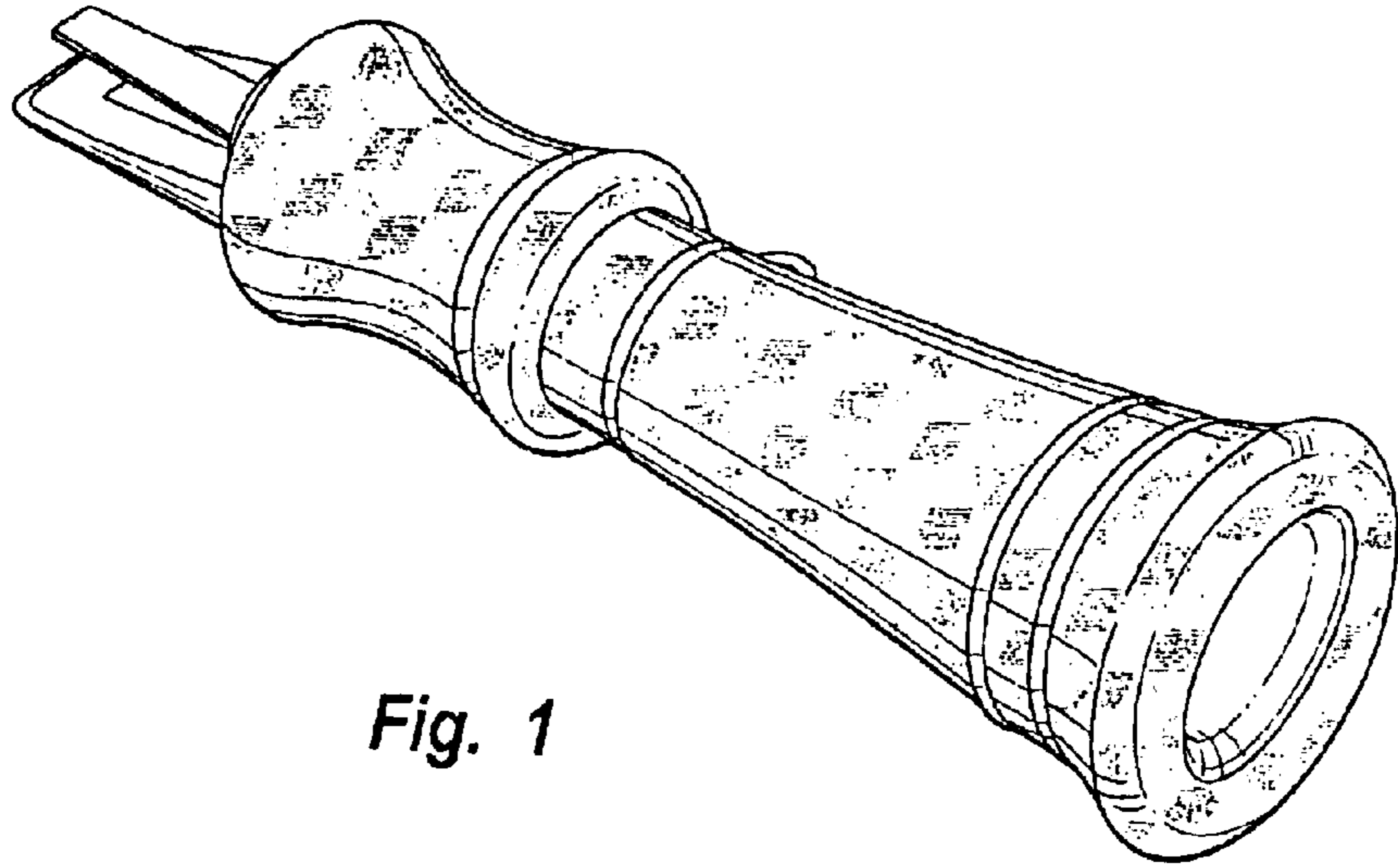


Fig. 1

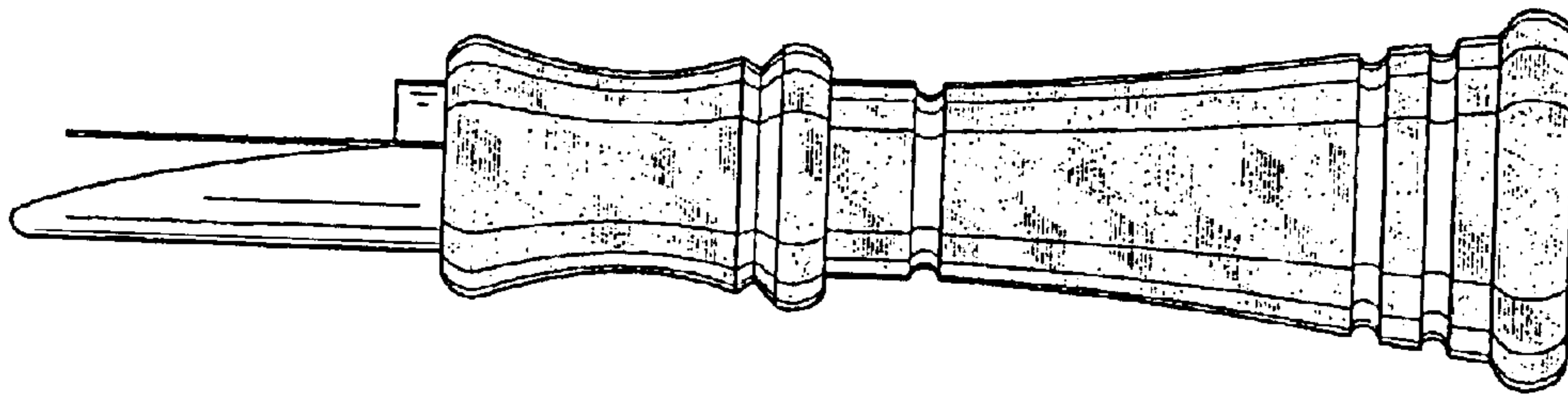


Fig. 2

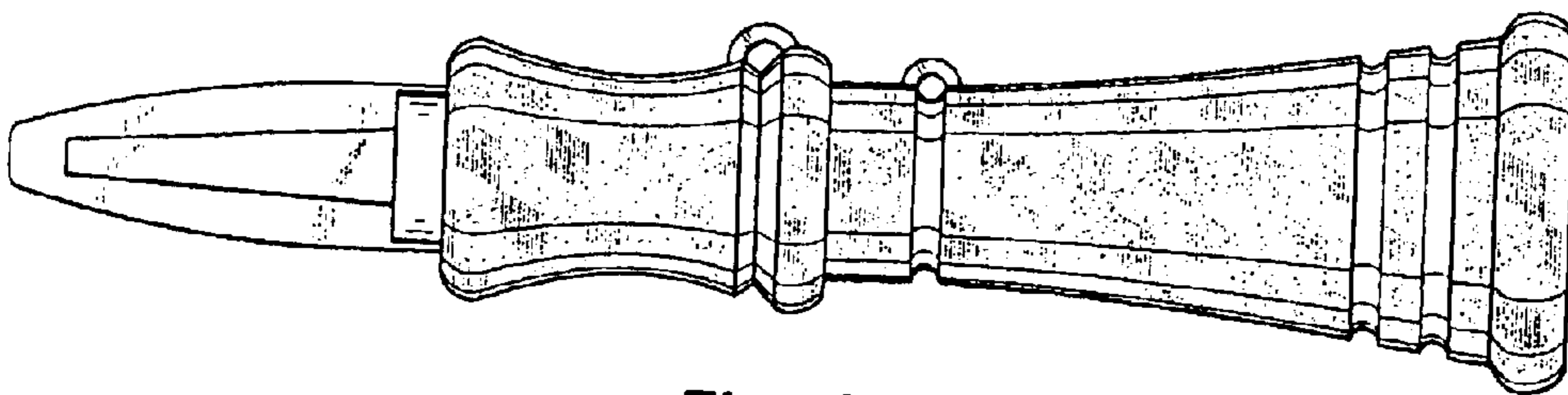


Fig. 3

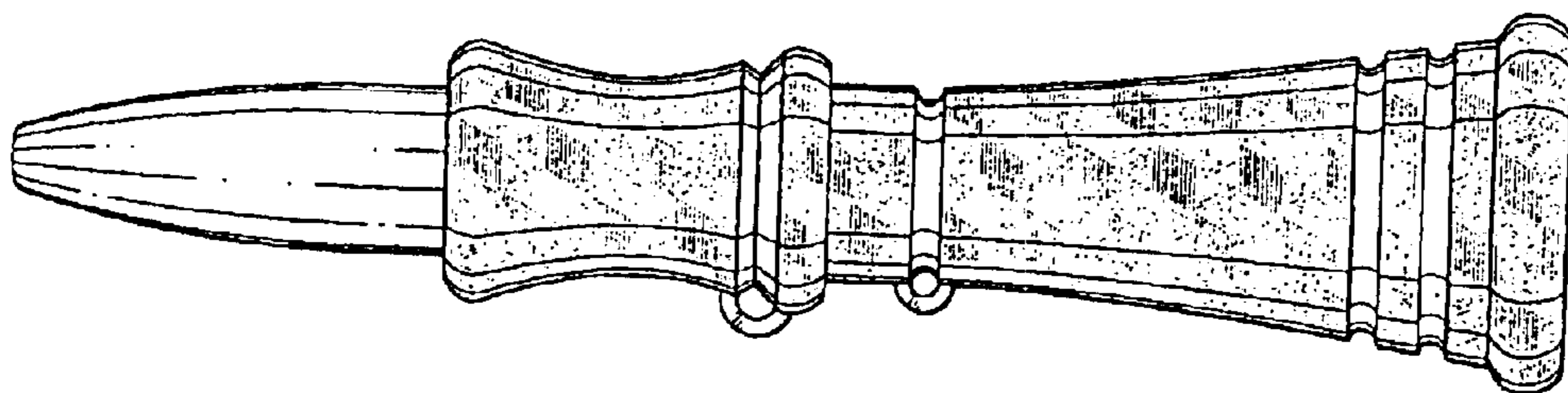


Fig. 4

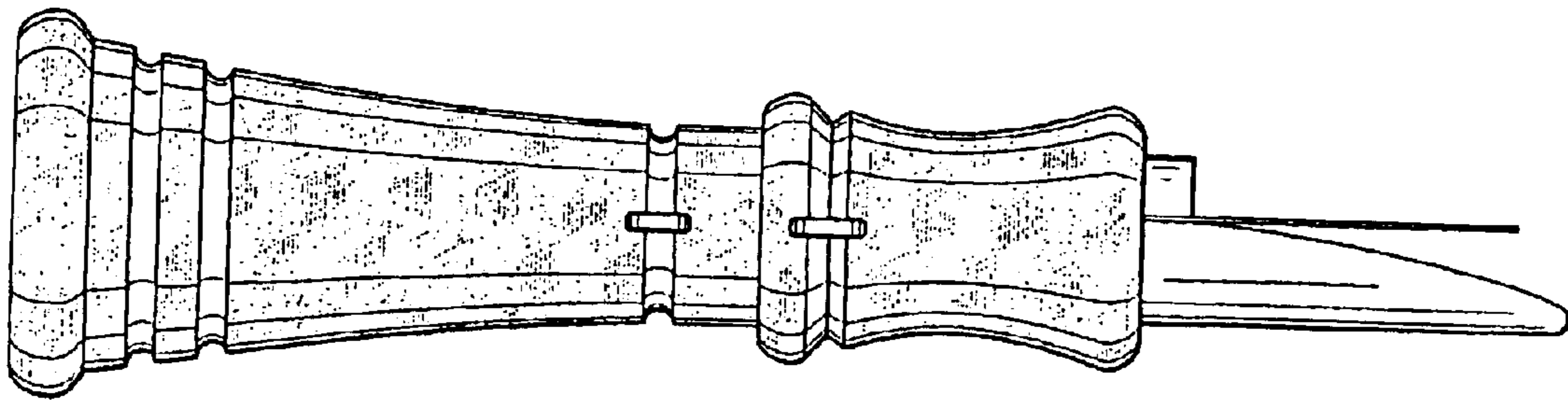


Fig. 5

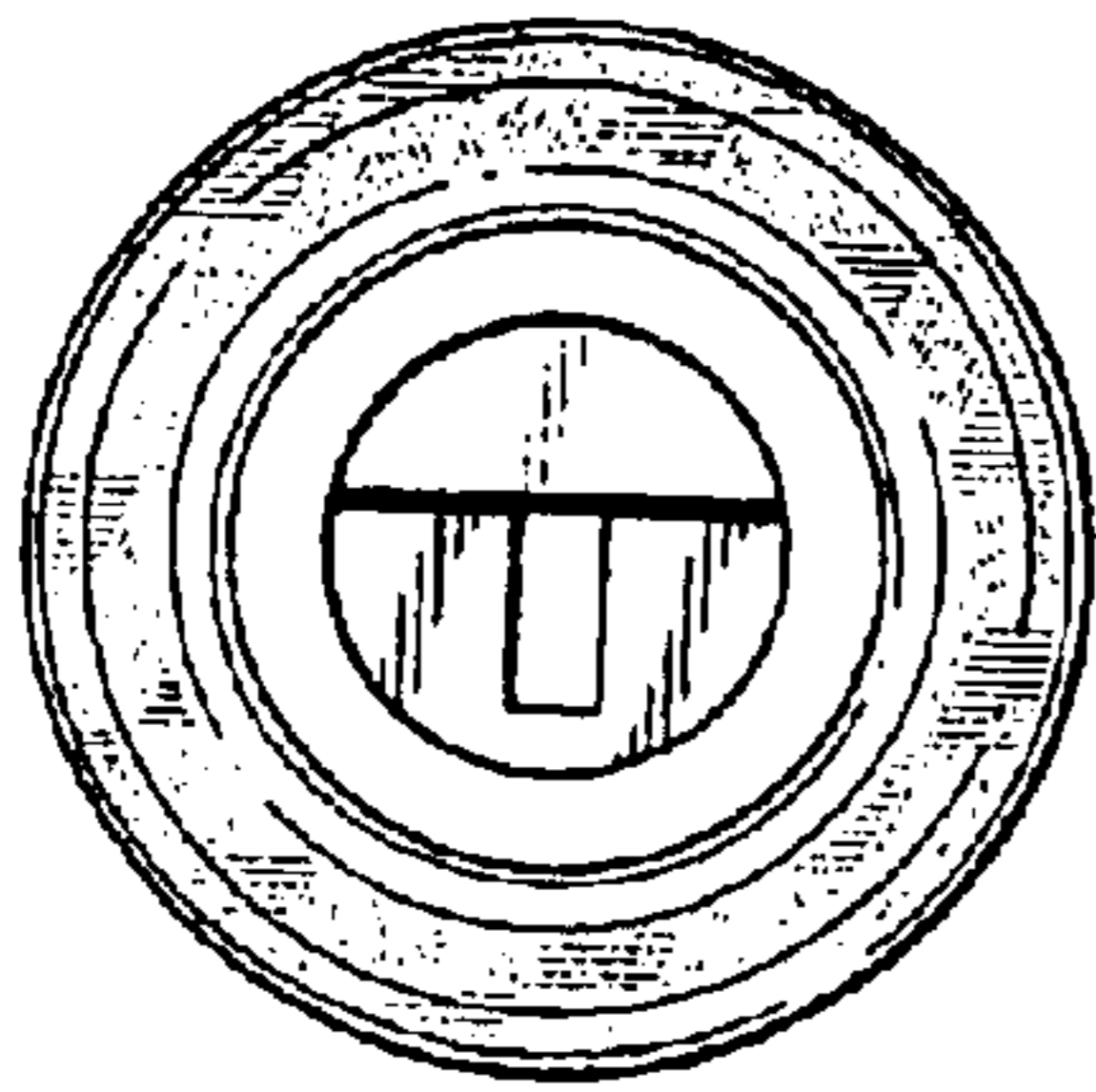


Fig. 6

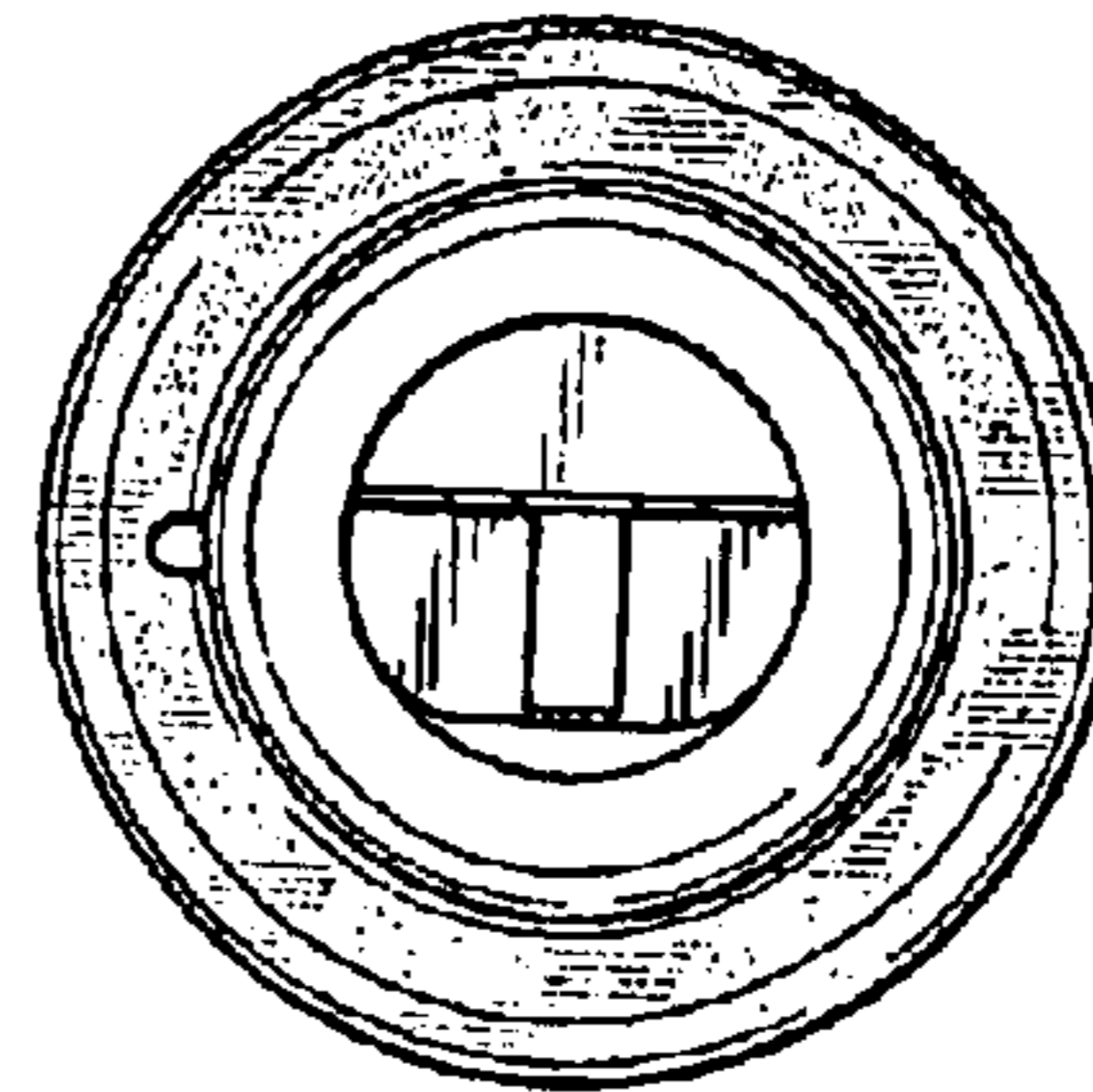


Fig. 7