

US00D497557S1

(12) **United States Design Patent**
Bond

(10) **Patent No.:** **US D497,557 S**

(45) **Date of Patent:** **** Oct. 26, 2004**

(54) **MOUNTING APPARATUS**

(76) **Inventor:** **Richard E. Bond**, 315 Magee Ave.,
Mill Valley, CA (US) 94941

(**) **Term:** **14 Years**

(21) **Appl. No.:** **29/174,467**

(22) **Filed:** **Jan. 17, 2003**

(51) **LOC (7) Cl.** **10-02**

(52) **U.S. Cl.** **D10/30**

(58) **Field of Search** D10/1-40, 122-132;
368/280-282, 276-277, 285, 294-295

(56) **References Cited**

U.S. PATENT DOCUMENTS

D122,111 S	*	8/1940	Blow	D10/30
D173,724 S	*	12/1954	Ducommun	D10/30
D414,433 S	*	9/1999	Crow	D10/37

* cited by examiner

Primary Examiner—Nelson C. Holtje

(74) *Attorney, Agent, or Firm*—Lewis, Brisbois, Bisgaard & Smith LLP

(57) **CLAIM**

The ornamental design for a mounting apparatus, as shown and described.

DESCRIPTION

FIG. 1 is a perspective view of a mounting apparatus showing my new design;

FIG. 2 is a front elevation thereof;

FIG. 3 is a rear elevation thereof;

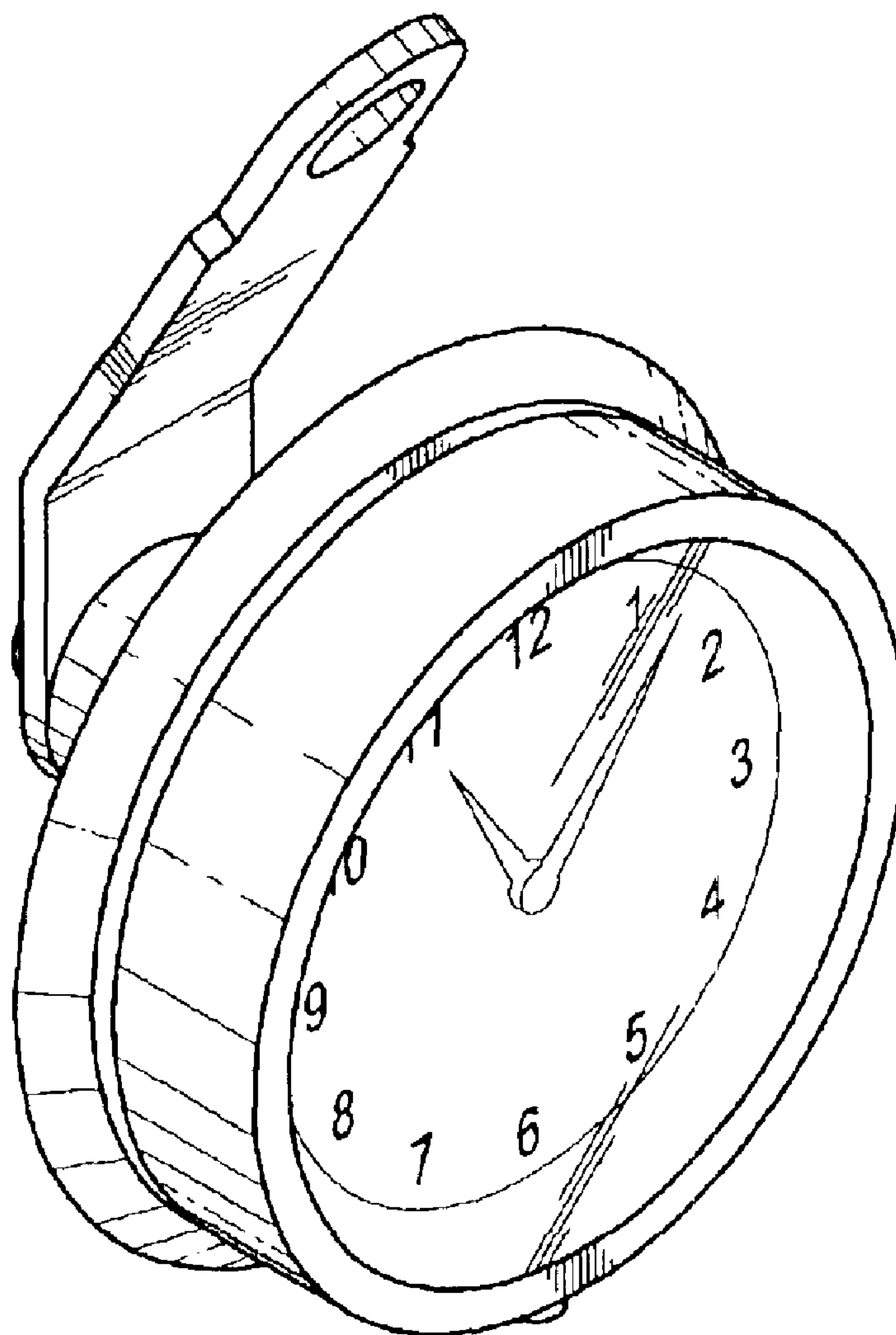
FIG. 4 is a left side elevation thereof;

FIG. 5 is a right side elevation thereof;

FIG. 6 is a top planar view thereof; and,

FIG. 7 is a bottom planar view thereof.

1 Claim, 2 Drawing Sheets



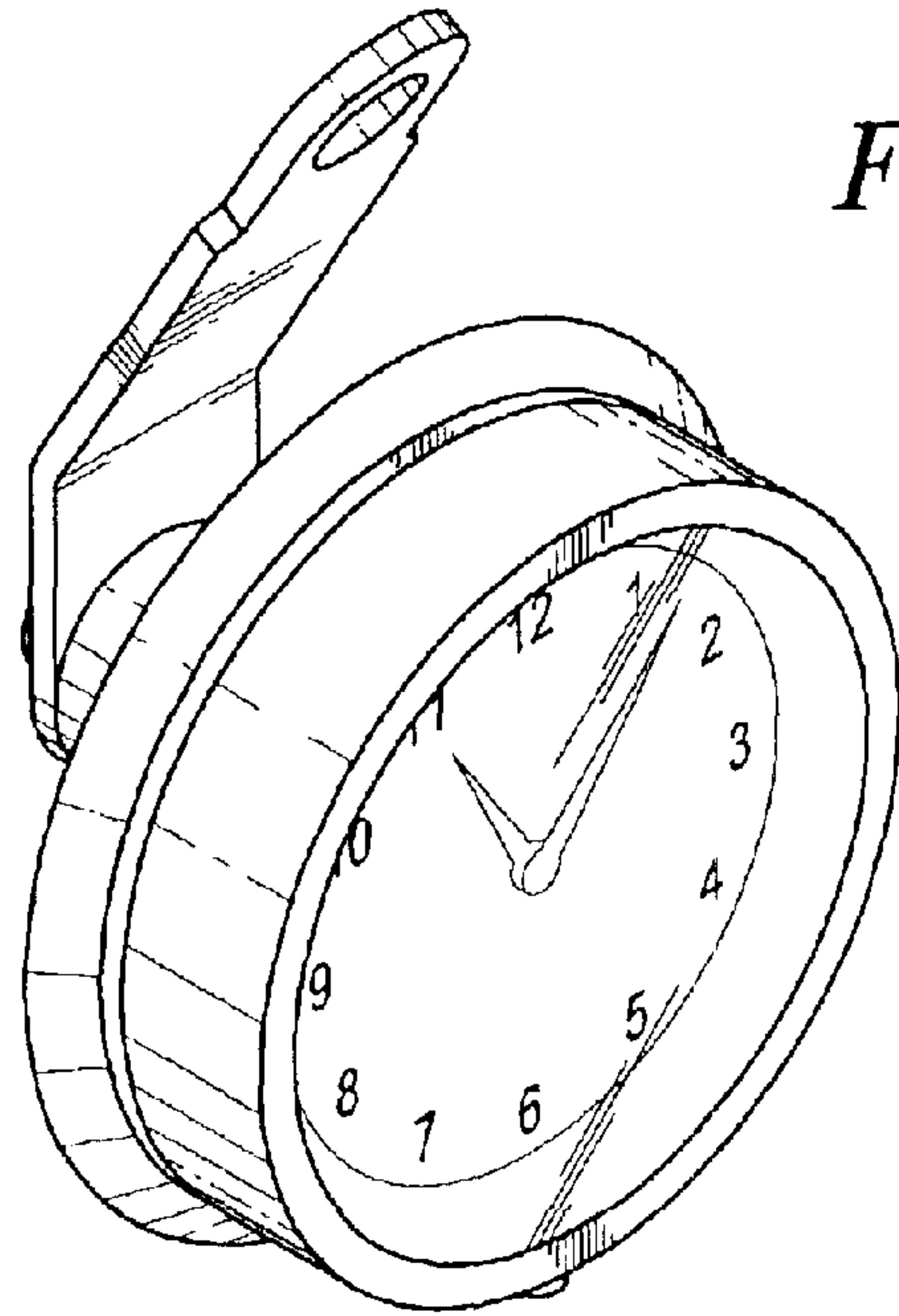


FIG. 1

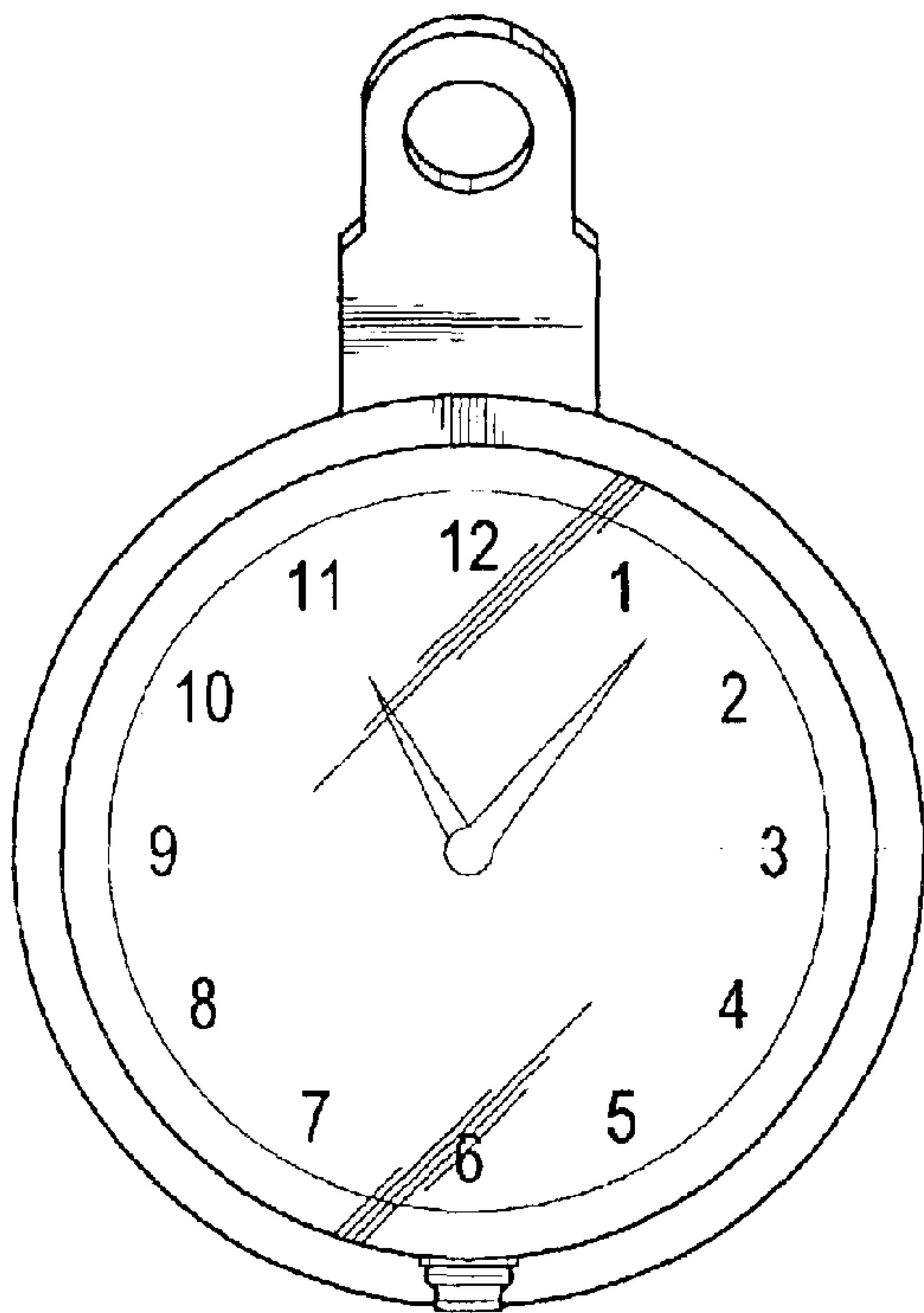


FIG. 2

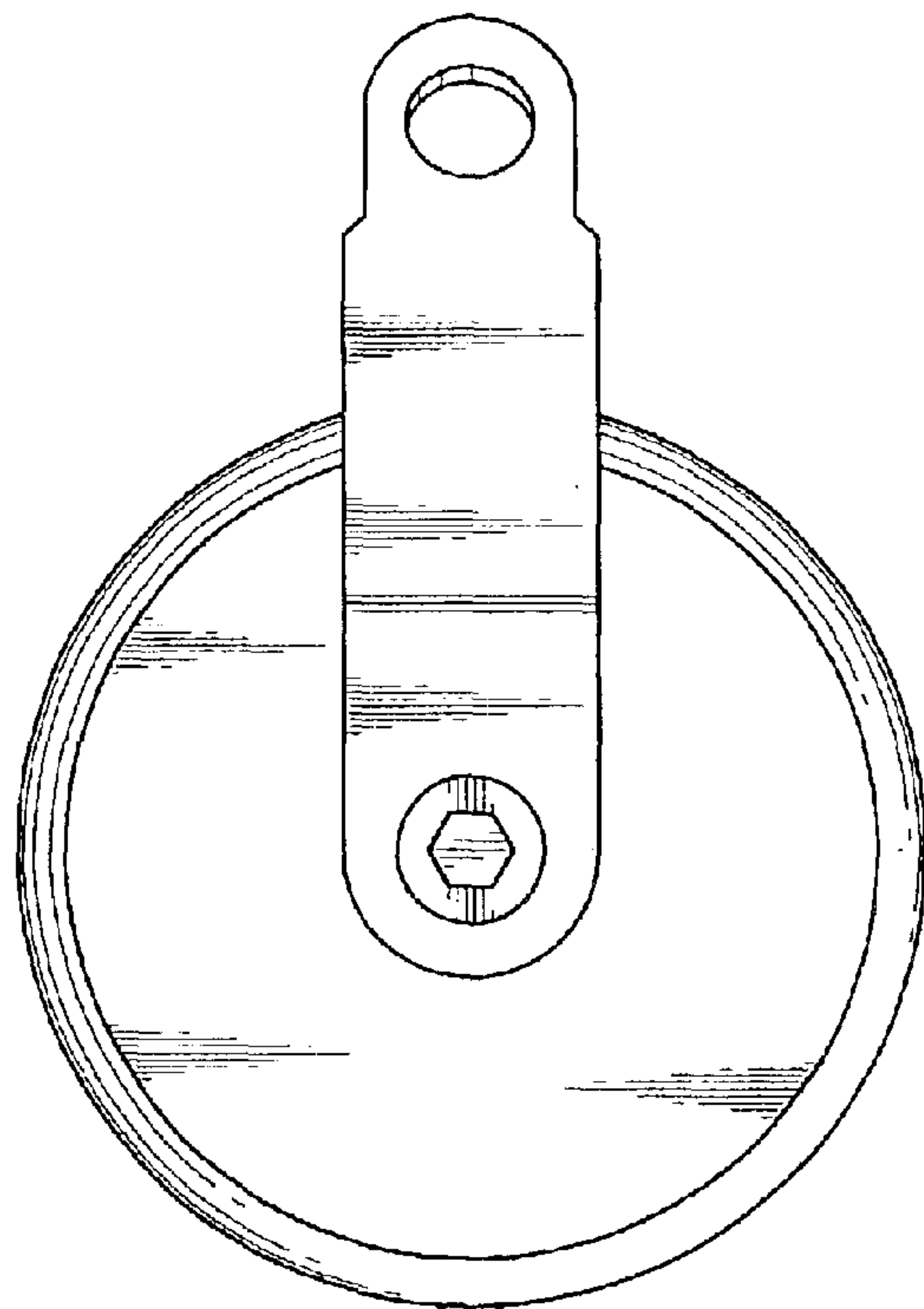


FIG. 3

FIG. 4

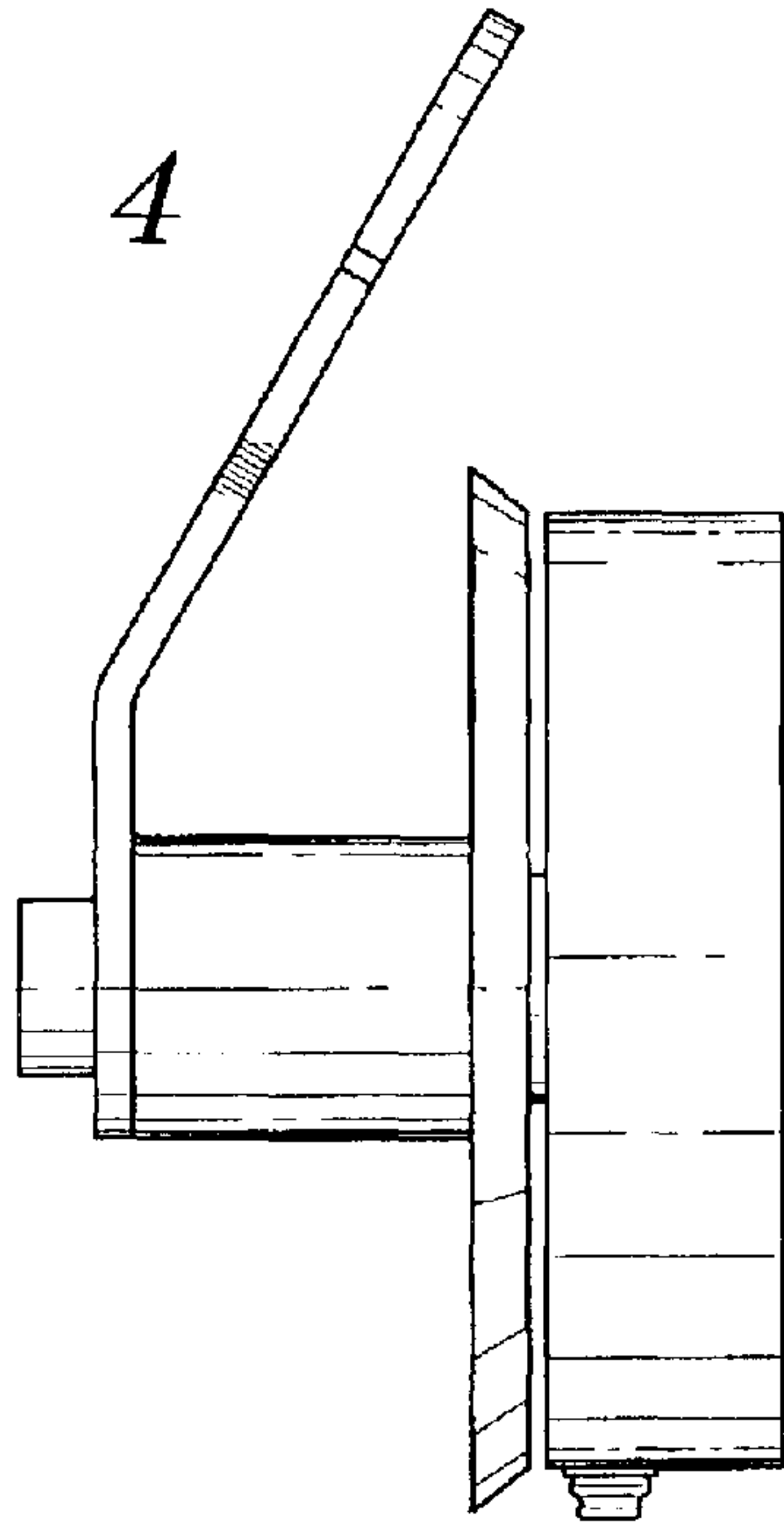


FIG. 5

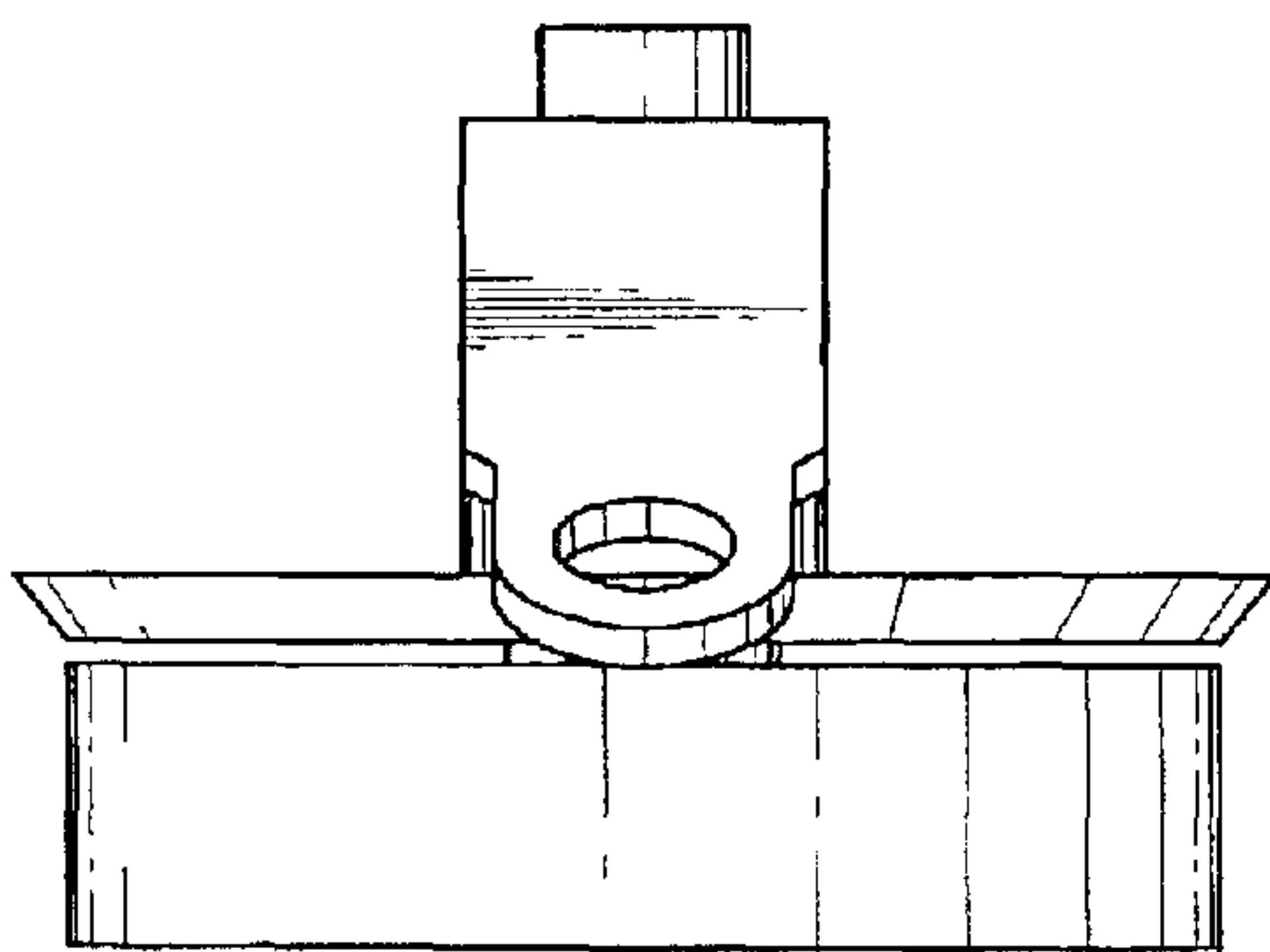
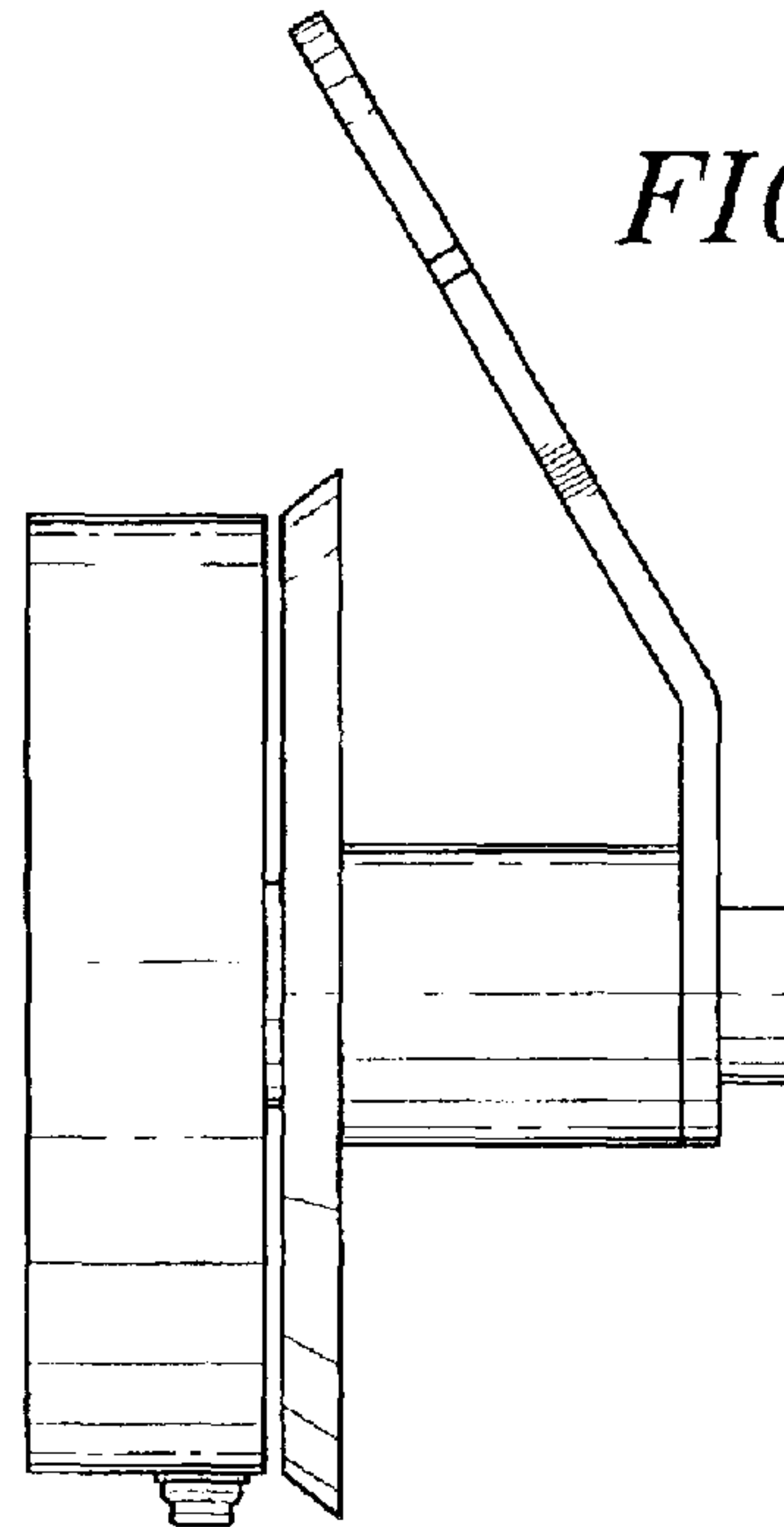


FIG. 6

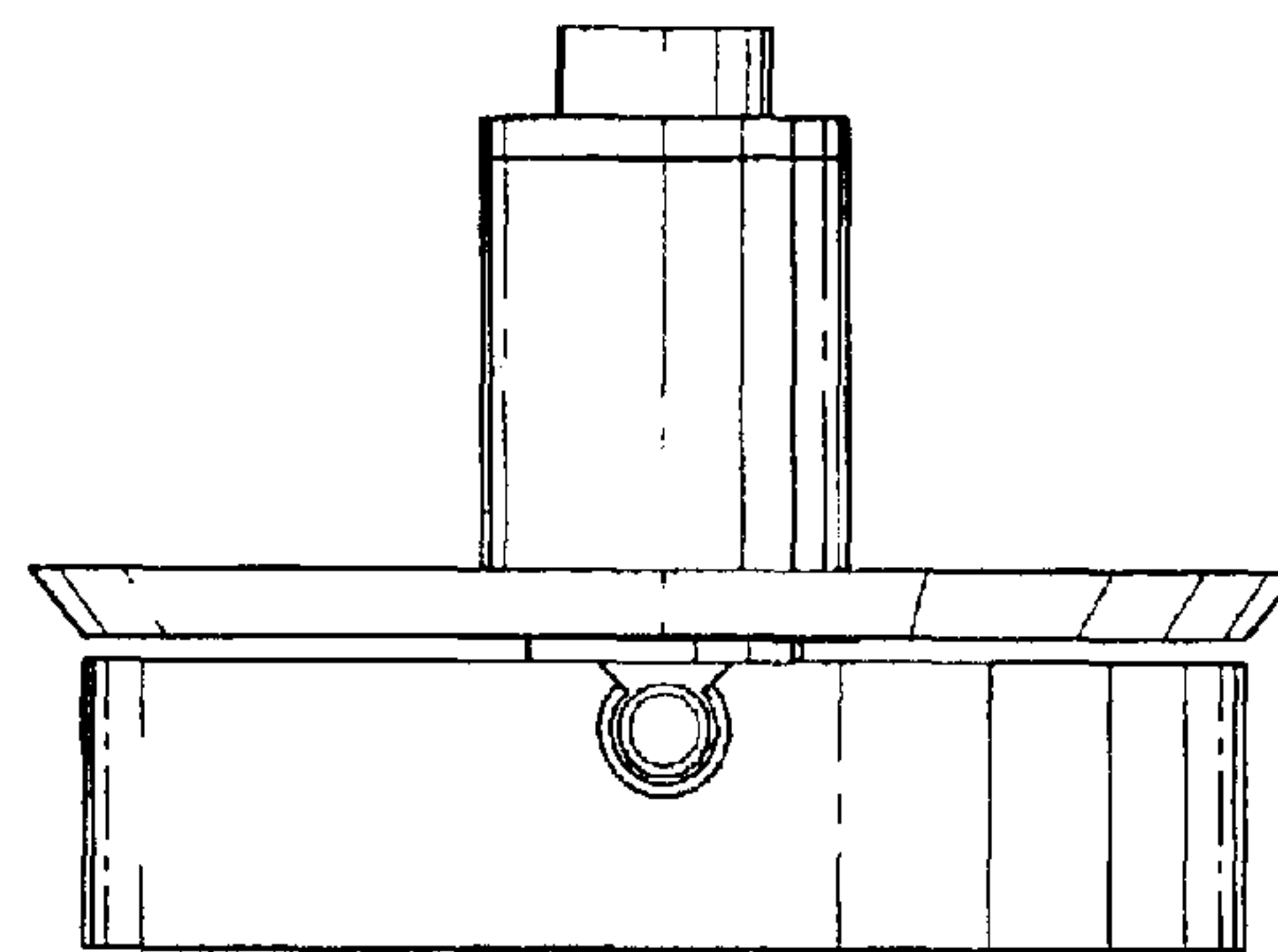


FIG. 7