

US00D497552S1

(12) **United States Design Patent**
Zhang et al.

(10) **Patent No.:** **US D497,552 S**
(45) **Date of Patent:** **** Oct. 26, 2004**

(54) **CONTAINER**

(75) Inventors: **Q. Peter Zhang**, Perrysburg, OH (US);
Stephen R. Guerin, Milford, NH (US)

(73) Assignee: **Continental Pet Technologies, Inc.**,
Toledo, OH (US)

(**) Term: **14 Years**

(21) Appl. No.: **29/168,668**

(22) Filed: **Oct. 4, 2002**

Related U.S. Application Data

(62) Division of application No. 09/901,315, filed on Jul. 9, 2001.

(51) **LOC (7) Cl.** **09-01**

(52) **U.S. Cl.** **D9/541; D9/543**

(58) **Field of Search** 19/516, 530, 537,
19/538, 539, 540, 541, 542, 543, 569, 575;
215/382-384, 396, 398, 400

(56) **References Cited**

U.S. PATENT DOCUMENTS

D193,216 S	*	7/1962	Laudano	D9/540
D293,551 S		1/1988	Britt		
D294,115 S		2/1988	Jacobs et al.		
D300,005 S		2/1989	Jacobs et al.		
D300,805 S	*	4/1989	Rogler et al.	D9/551 X
4,884,961 A	*	12/1989	Iizuka et al.	425/195
D308,167 S		5/1990	Holmes		
D353,542 S	*	12/1994	Beaver	D9/541

5,392,937 A	*	2/1995	Prevot et al.	215/400
5,472,105 A	*	12/1995	Krishnakumar et al.	215/384
D382,807 S	*	8/1997	Silvers et al.	D9/543
D385,196 S		10/1997	Entrup		
5,704,503 A	*	1/1998	Krishnakumar et al.		215/382 X
6,036,037 A	*	3/2000	Scheffer et al.	215/383 X
6,092,688 A	*	7/2000	Eberle et al.	215/382 X
D432,920 S	*	10/2000	Johnson et al.	D9/543
D452,444 S	*	12/2001	Iizuka et al.	D9/520
D471,111 S	*	3/2003	Kuzma et al.	D9/543

* cited by examiner

Primary Examiner—Carol Rademaker

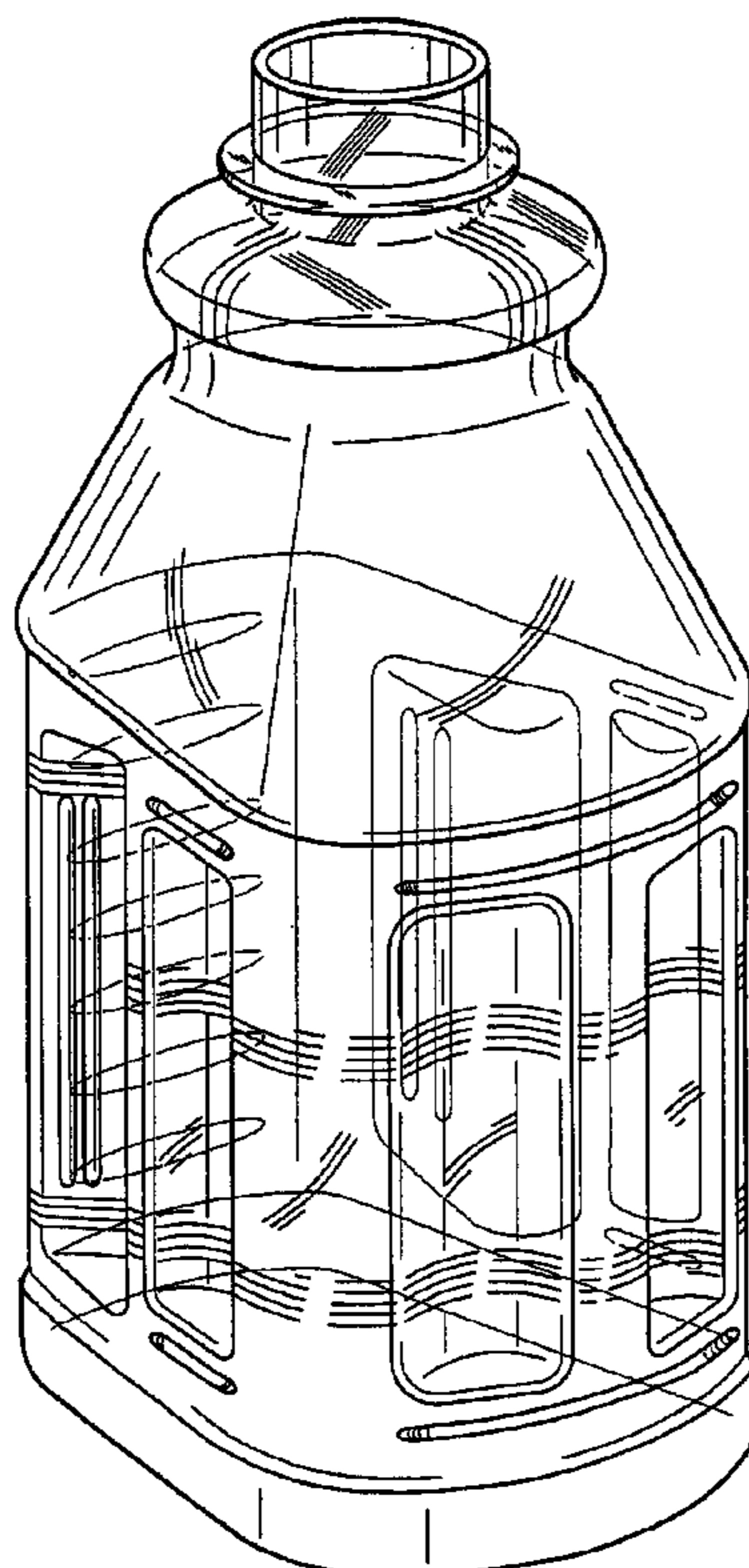
(57) **CLAIM**

The ornamental design for a container, as shown and described.

DESCRIPTION

FIG. 1 is a perspective view of a container according to our new design;
 FIG. 2 is a front elevational view of the container of FIG. 1;
 FIG. 3 is a right side elevational view of the container of FIG. 1;
 FIG. 4 is a left side elevational view of the container of FIG. 1;
 FIG. 5 is a top plan view of the container of FIG. 1;
 FIG. 6 is a bottom plan view of the container of FIG. 1; and,
 FIG. 7 is a sectional view taken on line 7—7 of FIG. 2.
 The rear of the container, not shown, is the same in appearance as the front.

1 Claim, 5 Drawing Sheets



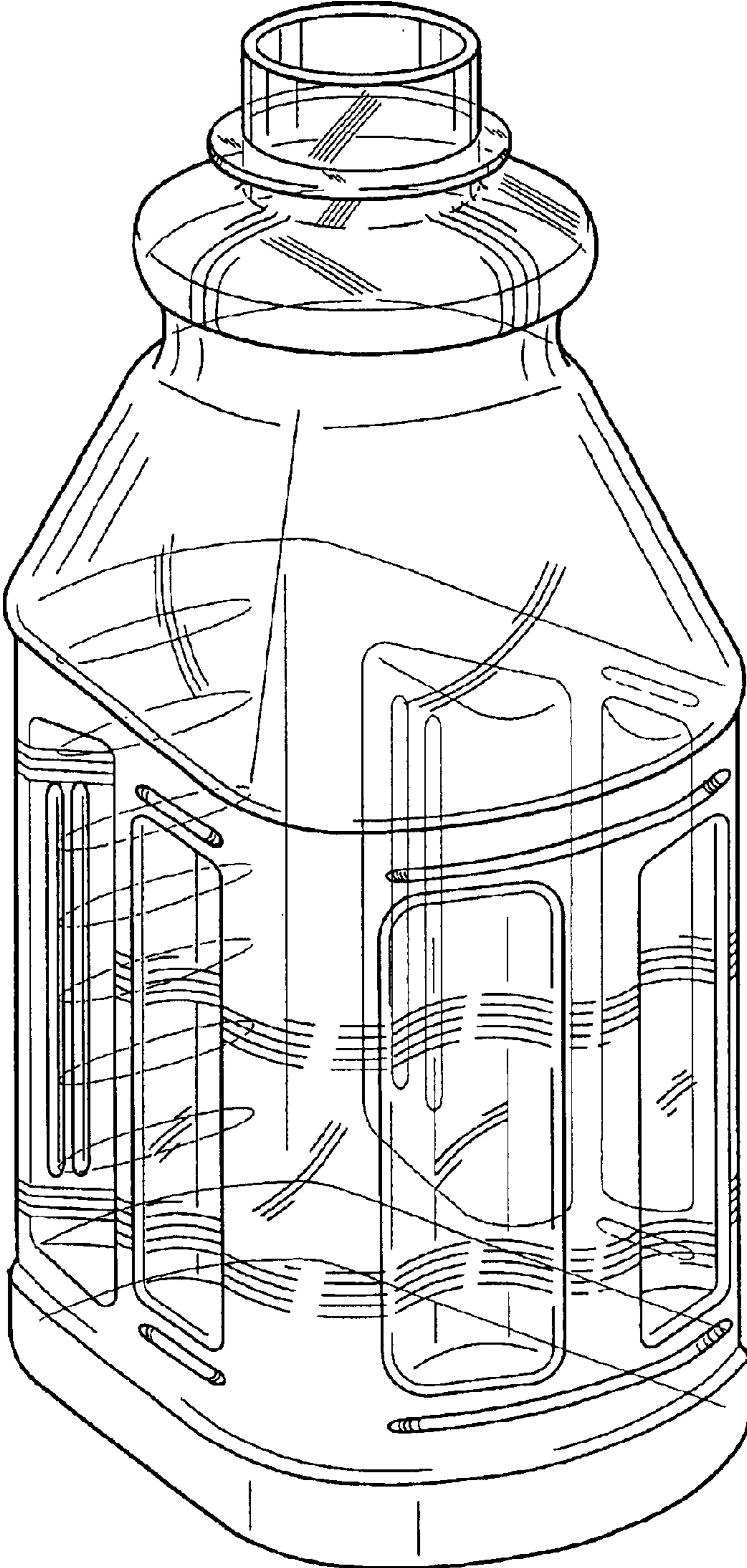


Fig-1

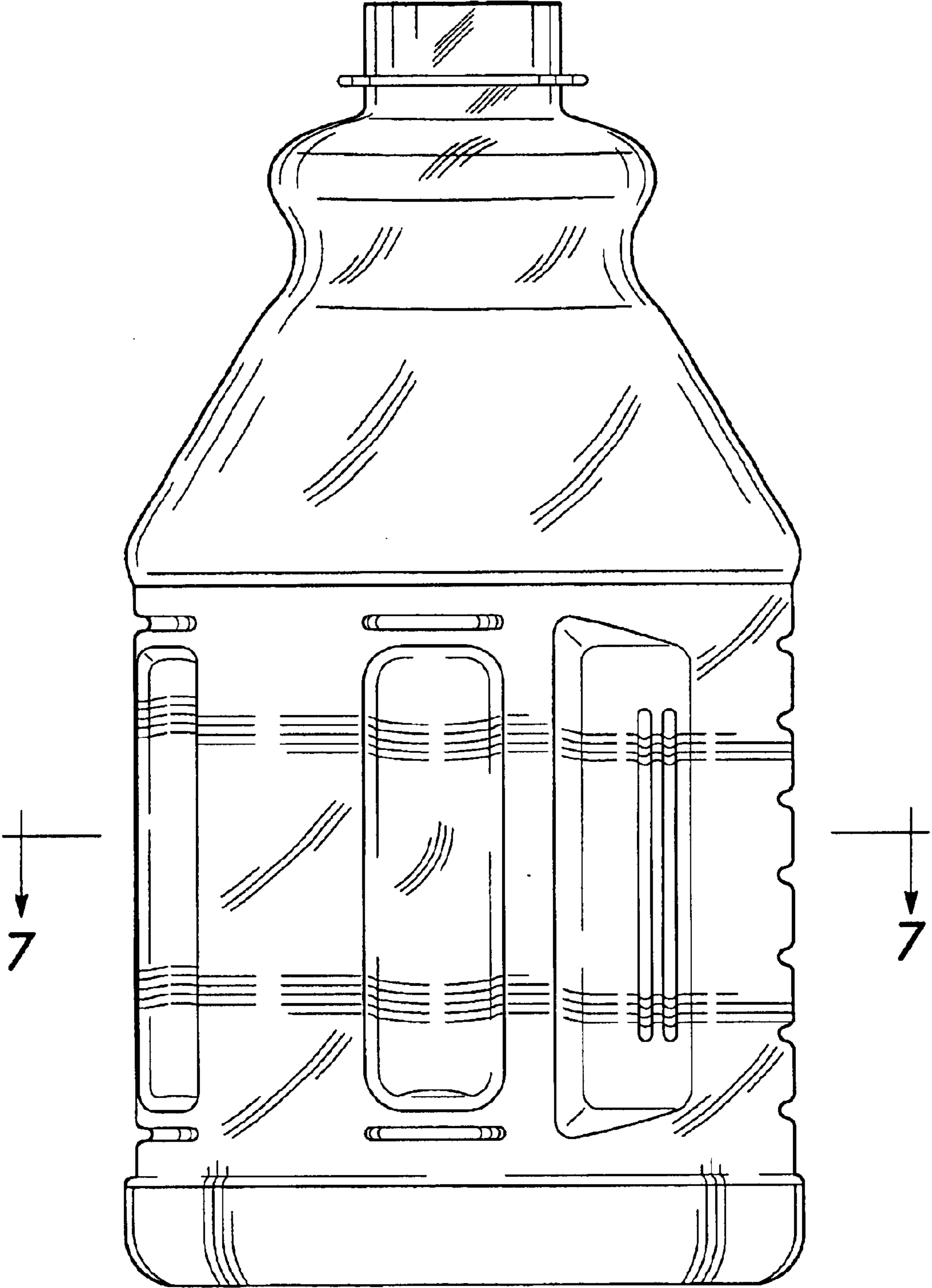


Fig-2

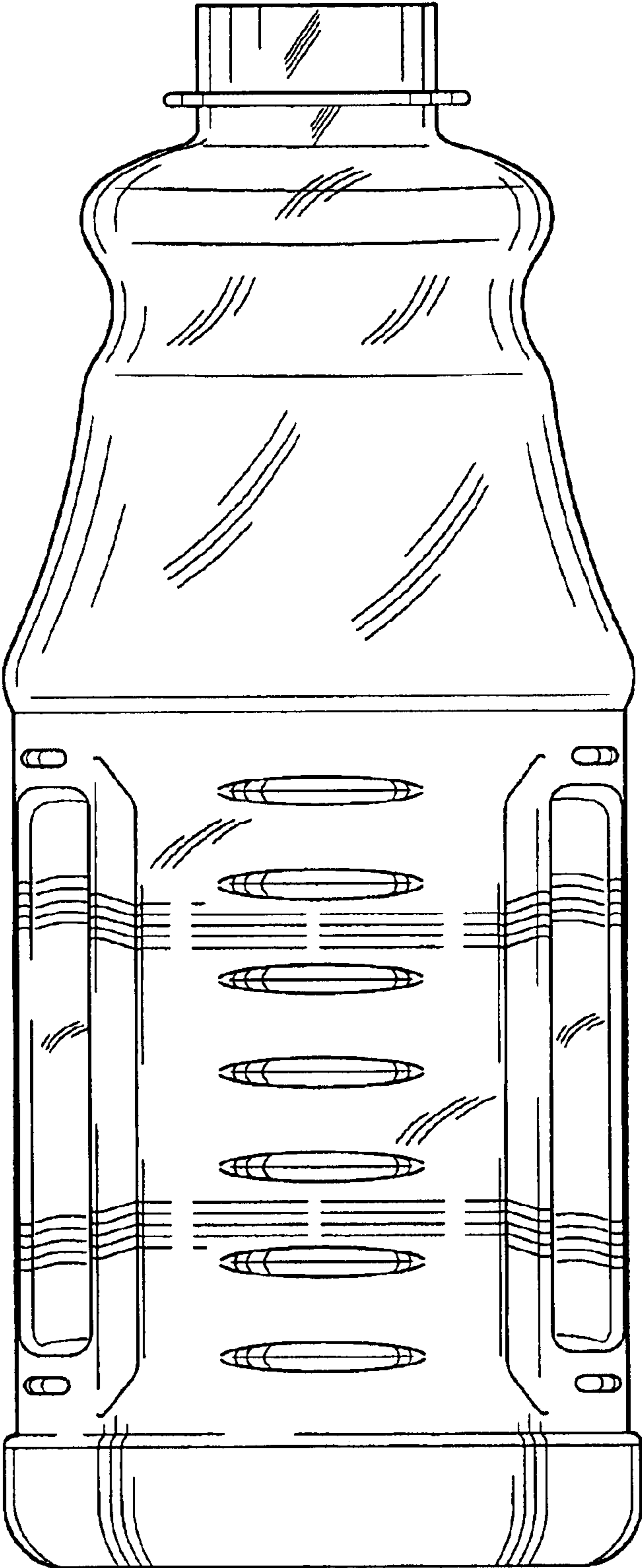


Fig-3

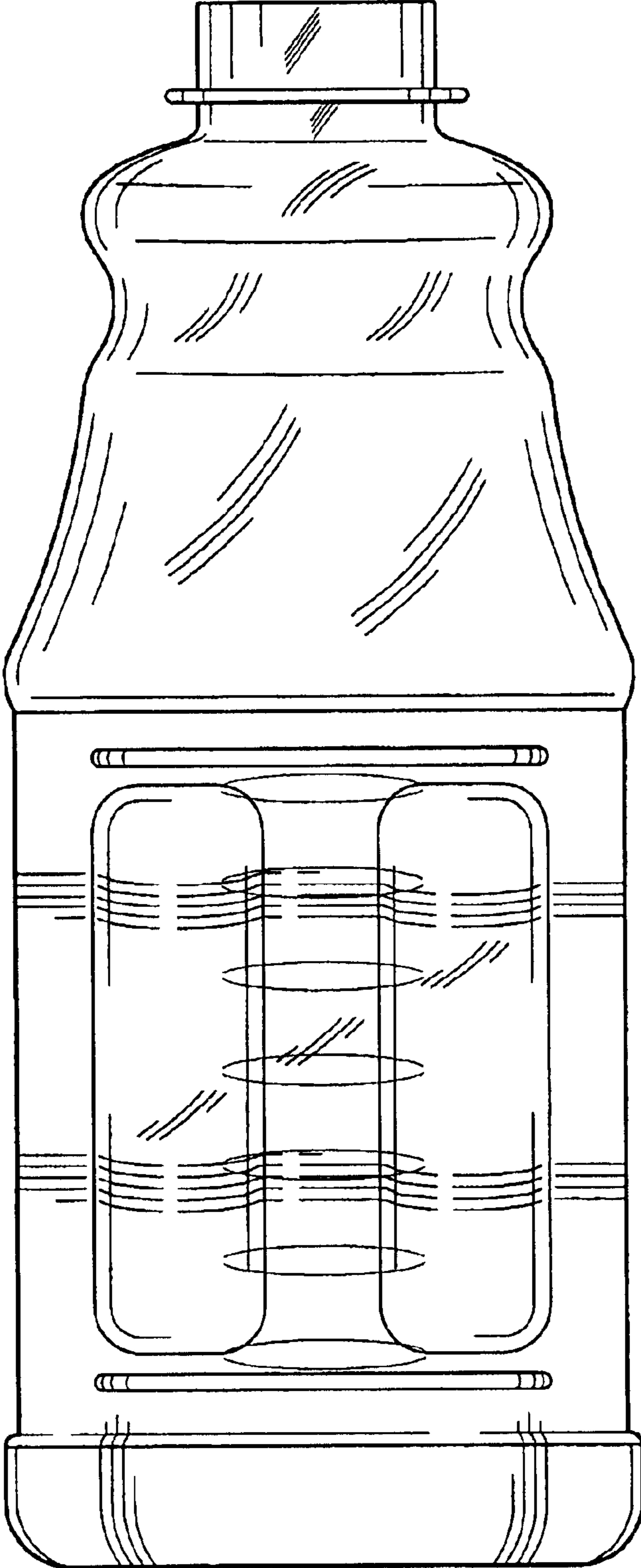


Fig-4

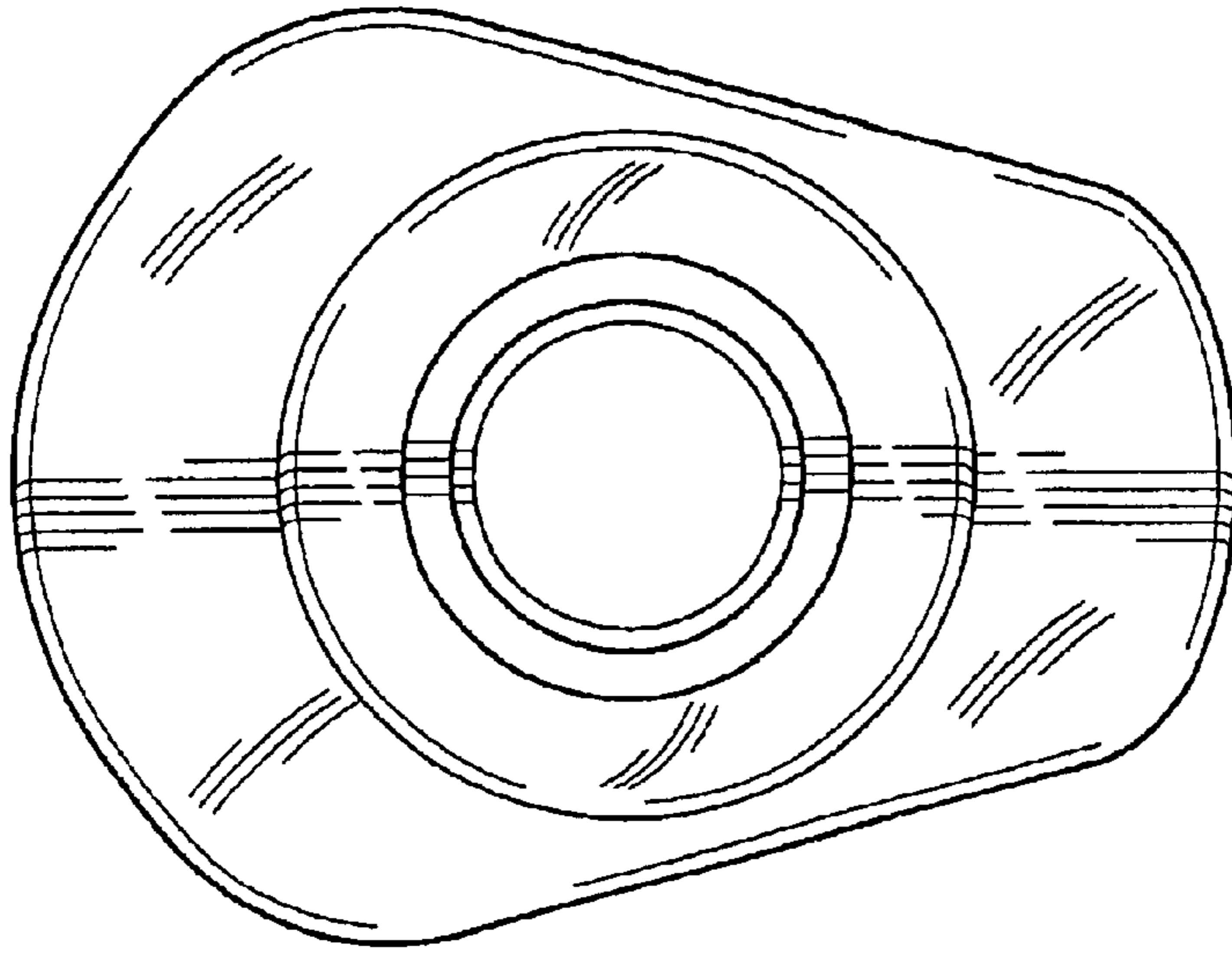


Fig-5

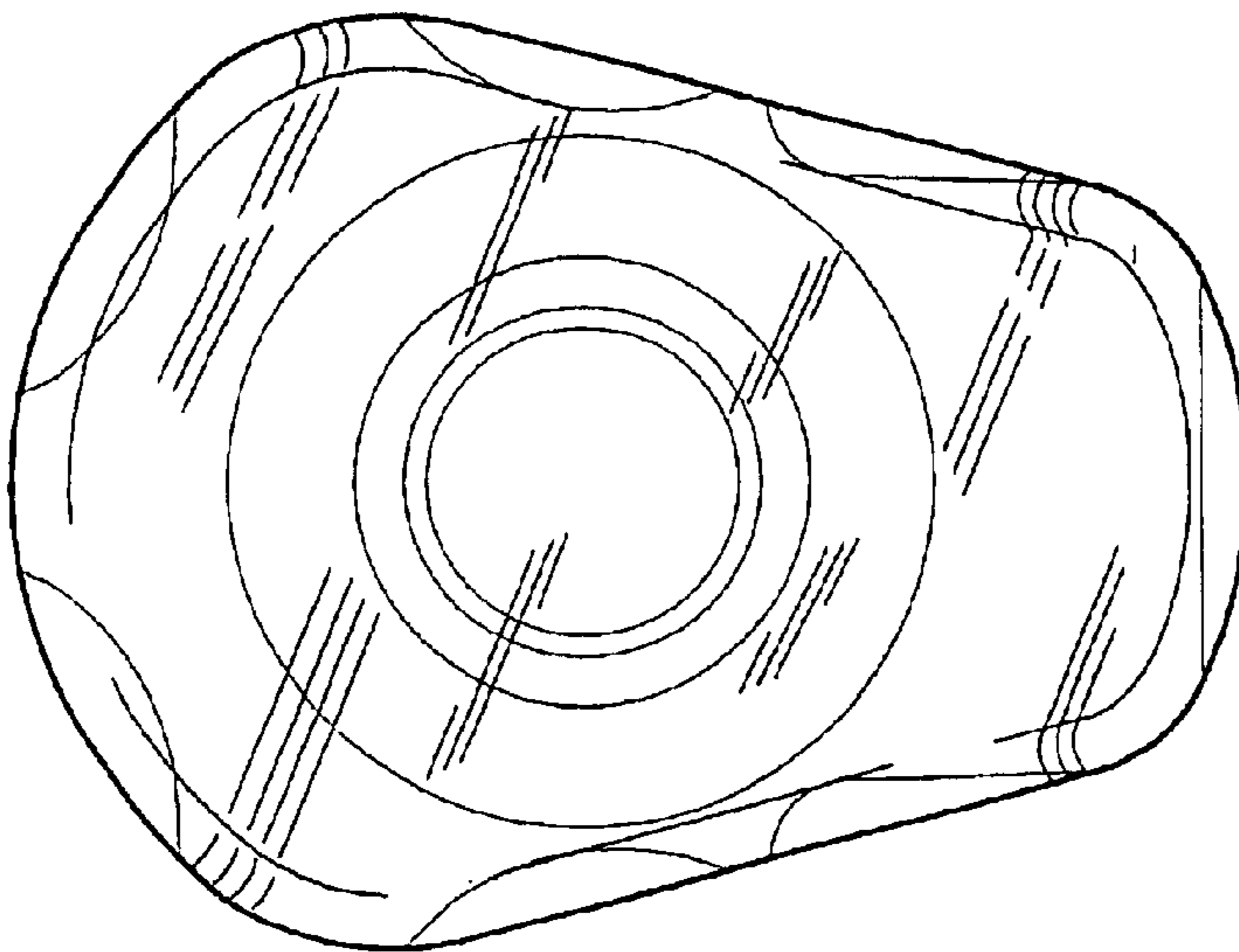


Fig-6

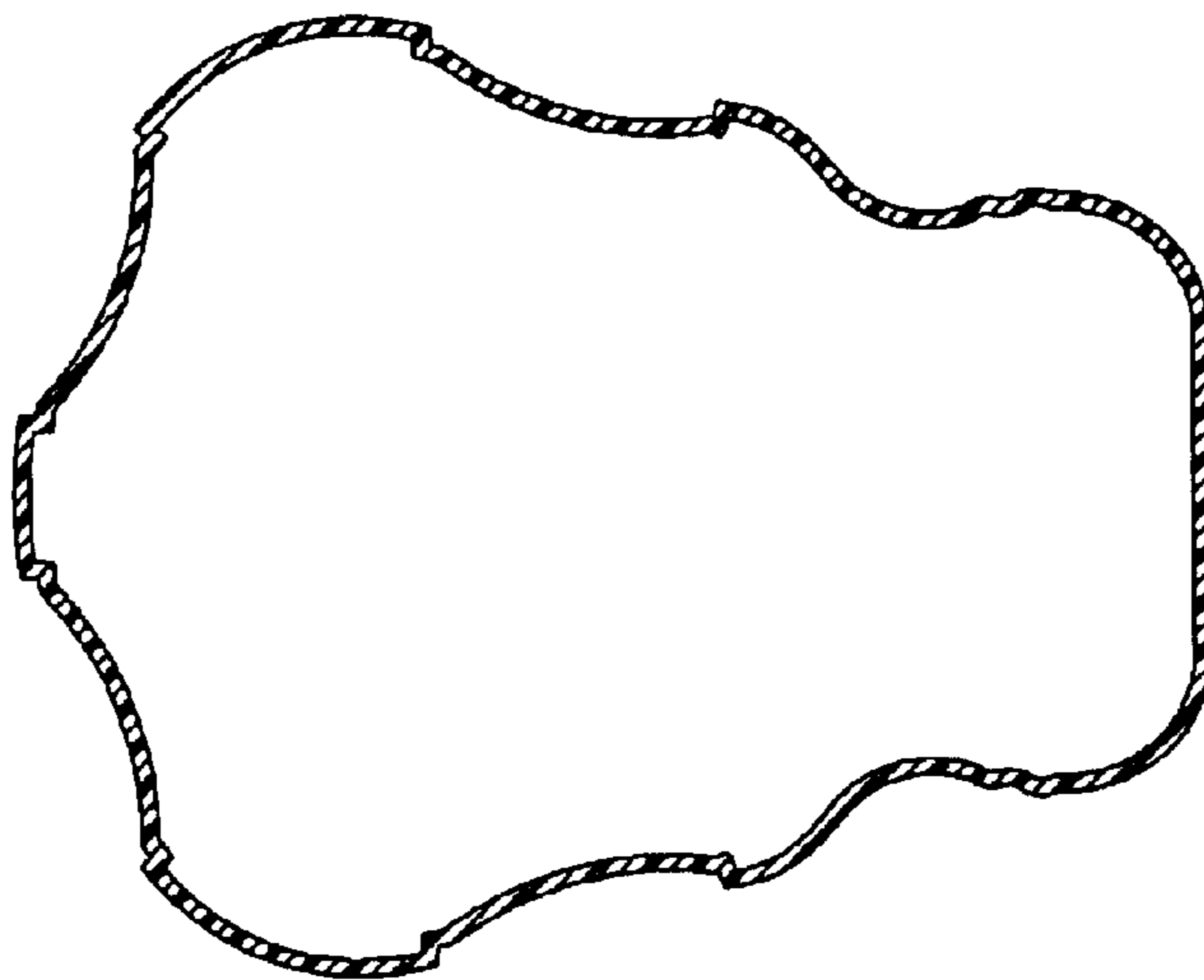


Fig-7