

US00D497540S1

(12) **United States Design Patent** (10) **Patent No.:** **US D497,540 S**
Watabe et al. (45) **Date of Patent:** **** Oct. 26, 2004**

(54) **CORD STOPPER**

(75) Inventors: **Tsuyoshi Watabe**, Kanagawa-Ken (JP);
Yuki Tsukuda, Saitama-Ken (JP)

(73) Assignee: **YKK Corporation**, Tokyo (JP)

(**) Term: **14 Years**

(21) Appl. No.: **29/190,242**

(22) Filed: **Sep. 16, 2003**

(30) **Foreign Application Priority Data**

Mar. 17, 2003	(JP)	2003-007010
Mar. 17, 2003	(JP)	2003-007011
Mar. 17, 2003	(JP)	2003-007012

(51) **LOC (7) Cl.** **08-08**

(52) **U.S. Cl.** **D8/383**

(58) **Field of Search** D8/382-383; 24/115 M,
24/115 G, 129 R

(56) **References Cited**

U.S. PATENT DOCUMENTS

4,724,584 A * 2/1988 Kasai 24/115 G

FOREIGN PATENT DOCUMENTS

JP 07313217 A * 12/1995 A44B/21/00

* cited by examiner

Primary Examiner—Holly Baynham

(74) *Attorney, Agent, or Firm*—Bell, Boyd & Lloyd LLC

(57) **CLAIM**

The ornamental design for a cord stopper, as shown and described.

DESCRIPTION

FIG. 1 is a front elevational view of a cord stopper according to the invention, the rear elevational view being a mirror image.

FIG. 2 is a top plan view of the cord stopper of FIG. 1.

FIG. 3 is a bottom plan view of the cord stopper of FIG. 1.

FIG. 4 is a right side elevational view of the cord stopper of FIG. 1, the left side view being a mirror image.

FIG. 5 is a perspective view of the cord stopper of FIG. 1; and,

FIG. 6 is a reference perspective view showing the cord stopper of FIG. 1 in a state of use.

The reference state of use view of the cord stopper is for reference purposes.

The broken line showing of partial strap and partial cord is for illustrative purposes only and forms no part of the claimed design.

1 Claim, 3 Drawing Sheets

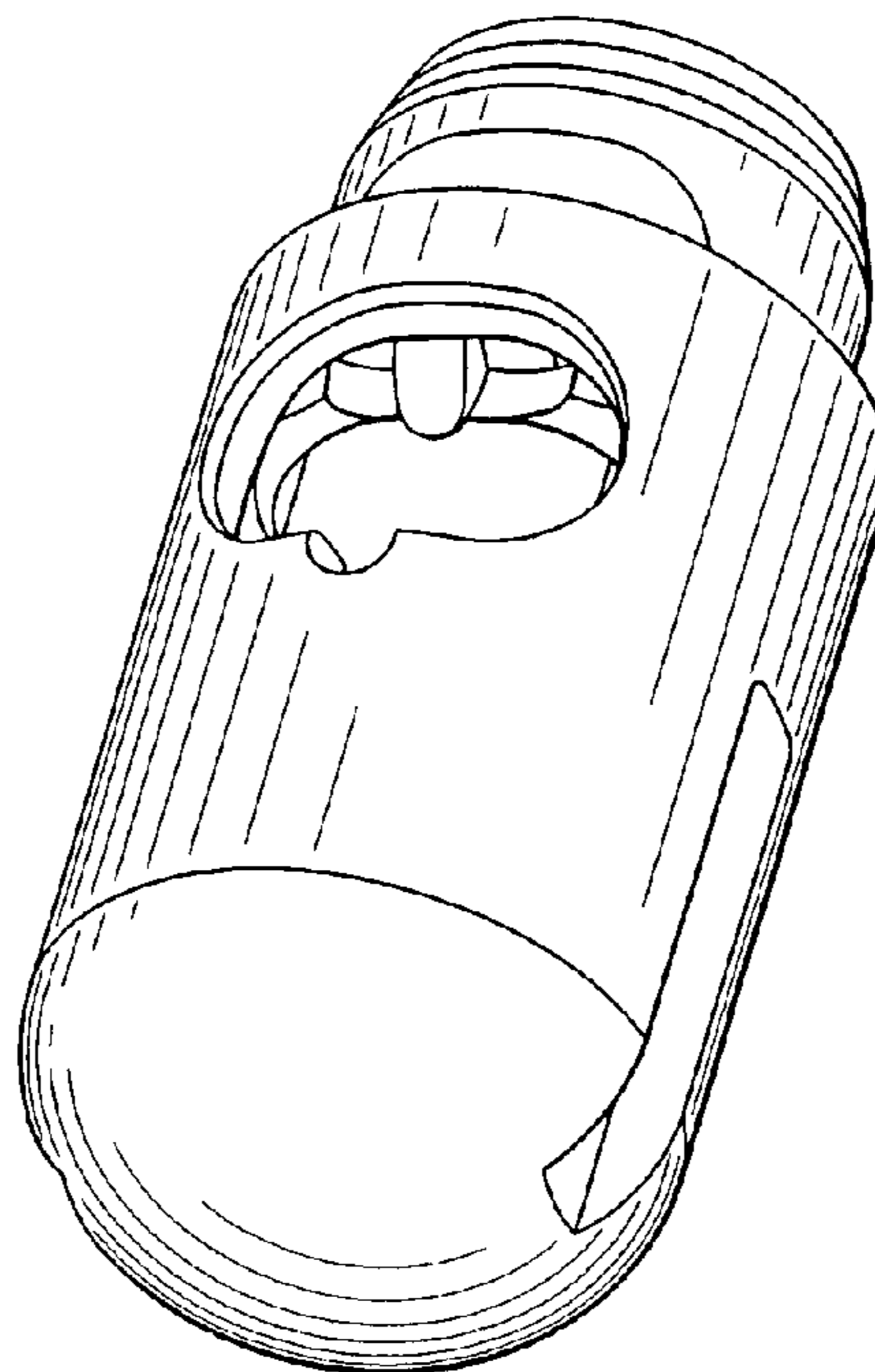


FIG.1

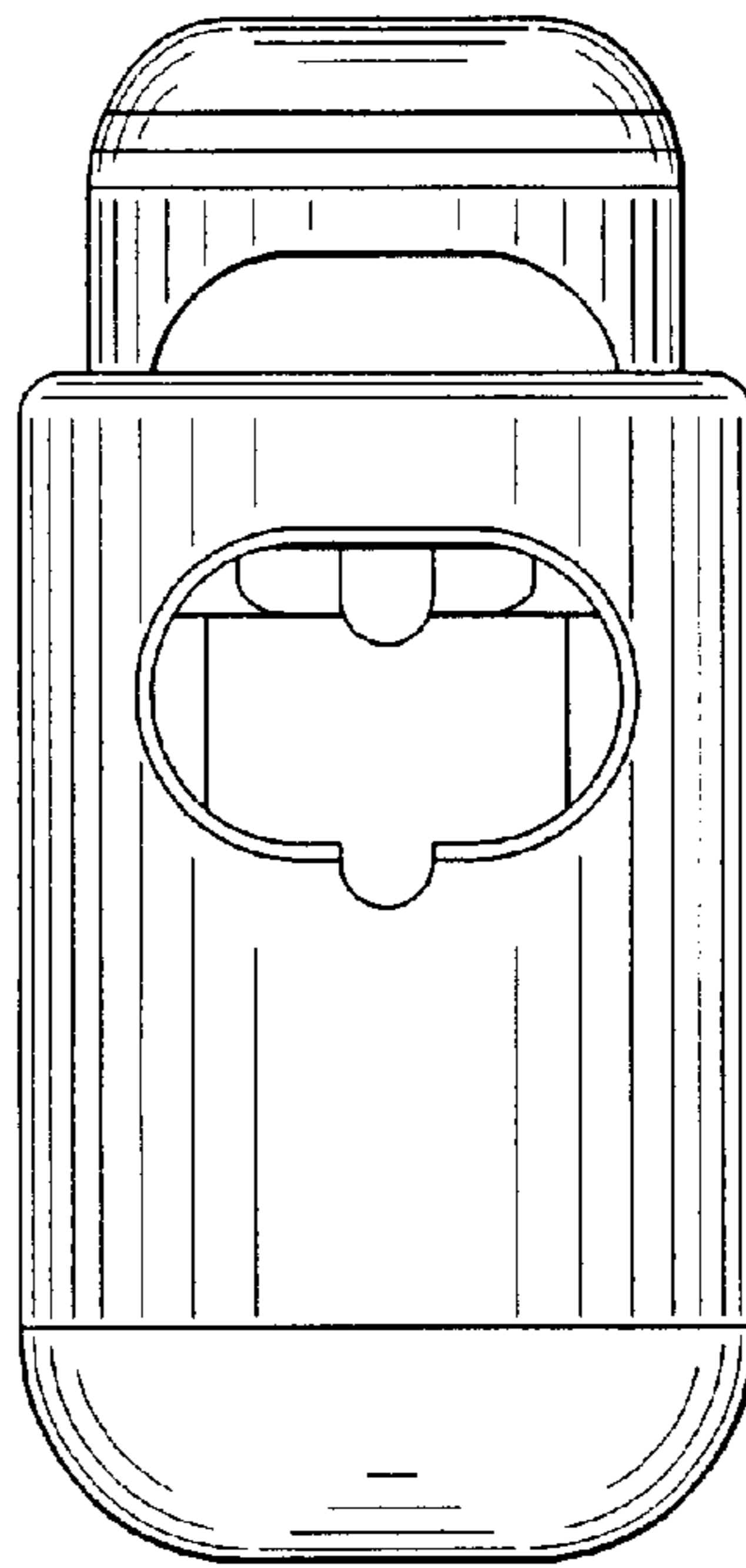


FIG.2

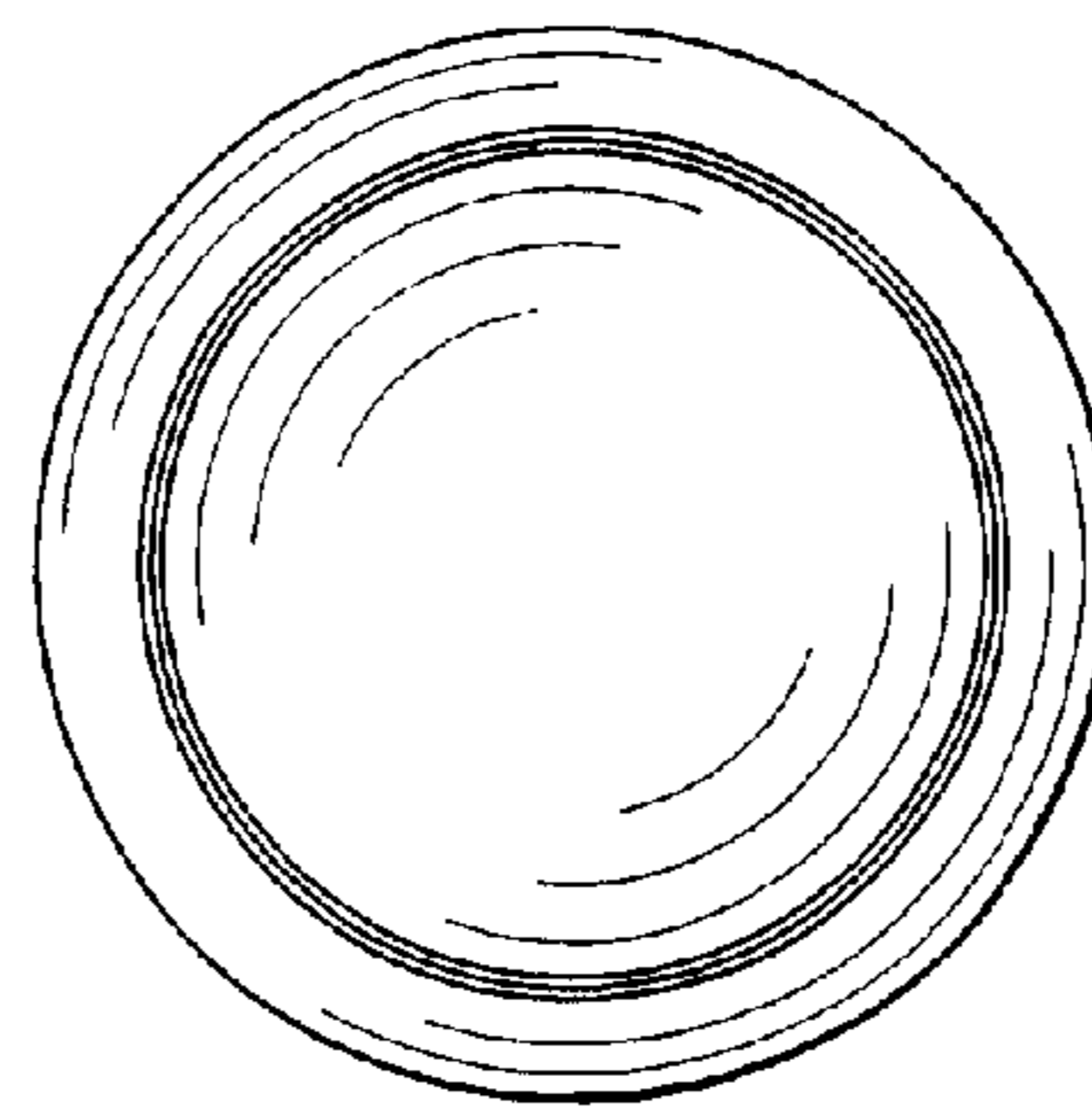


FIG.3

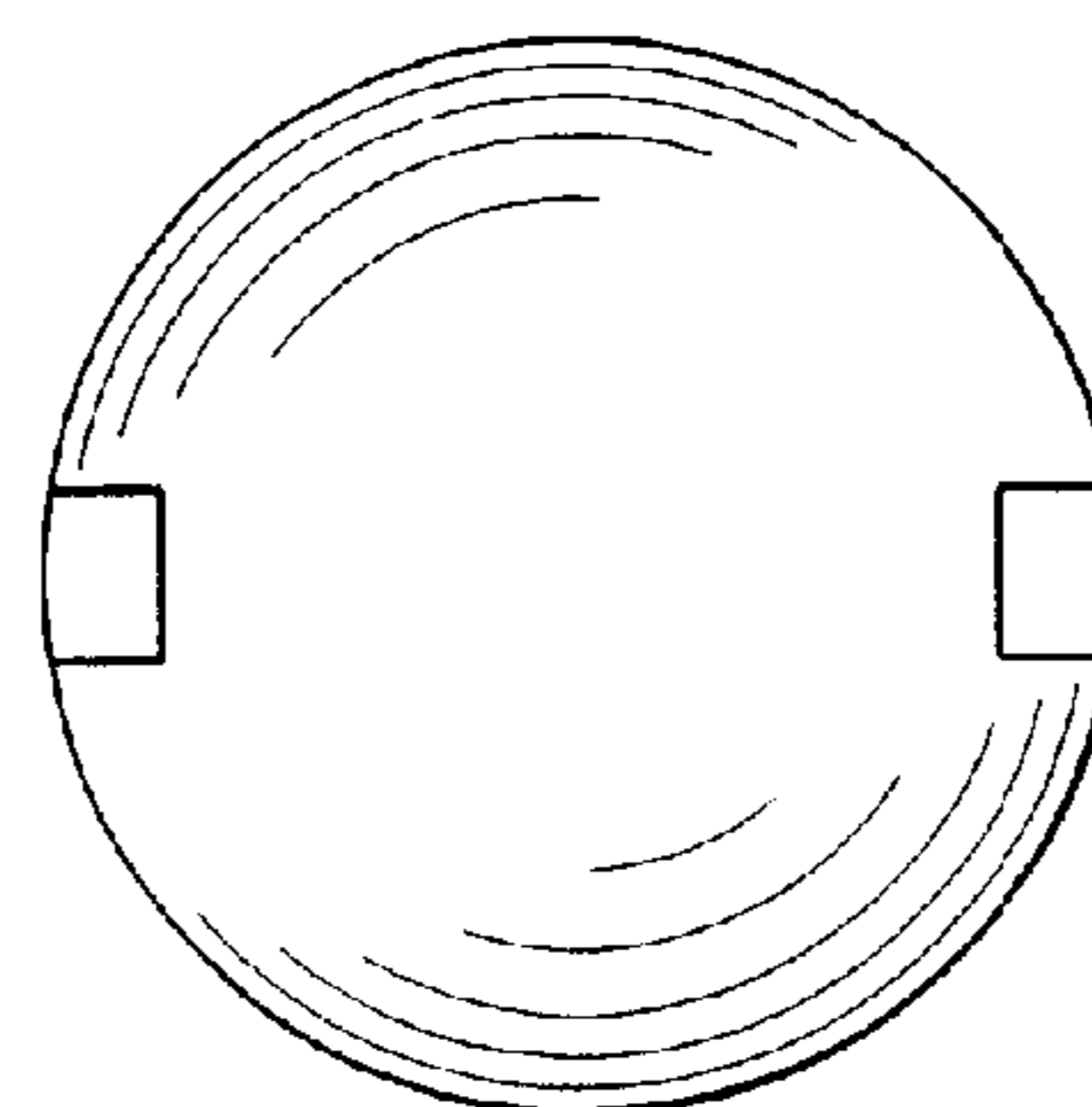


FIG. 4

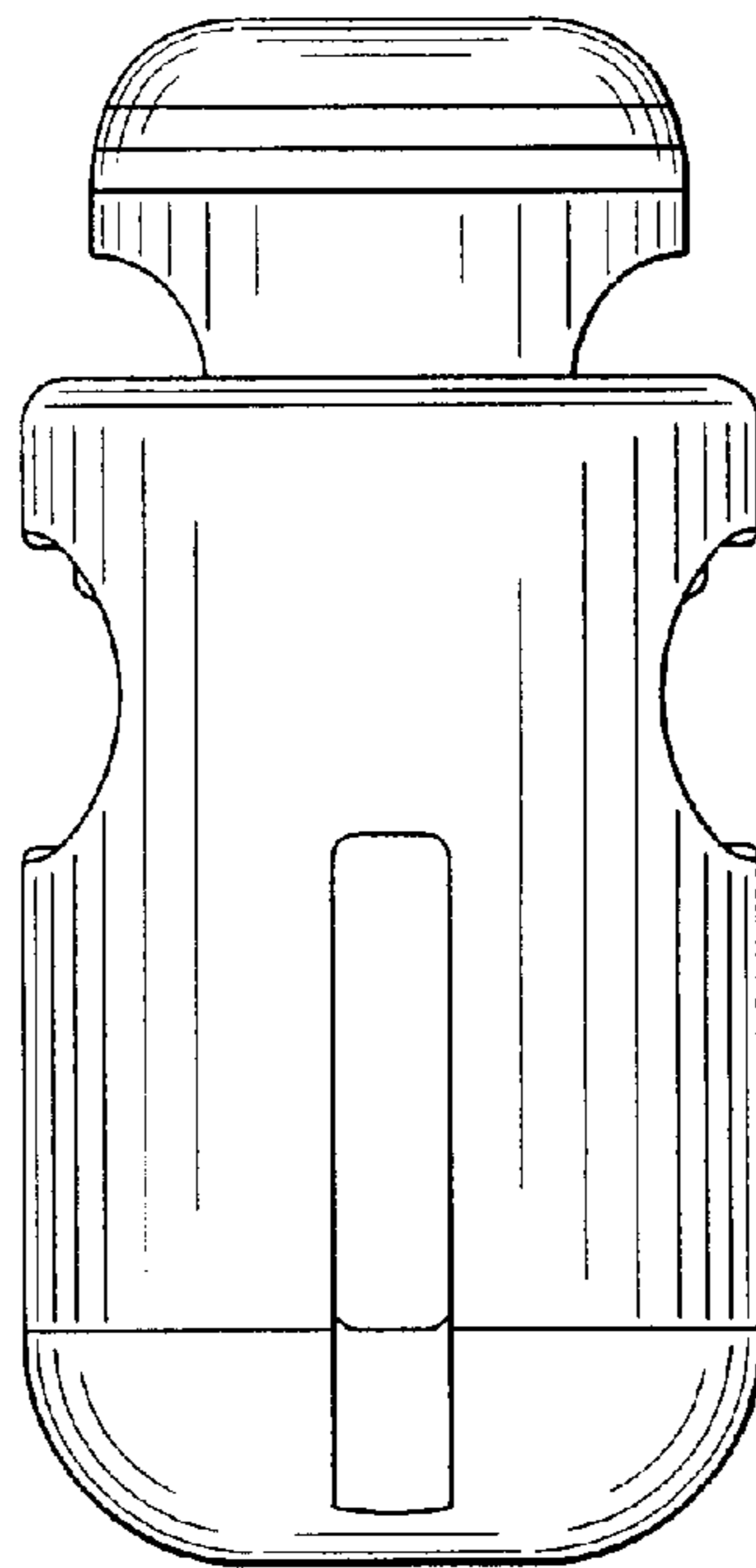


FIG. 5

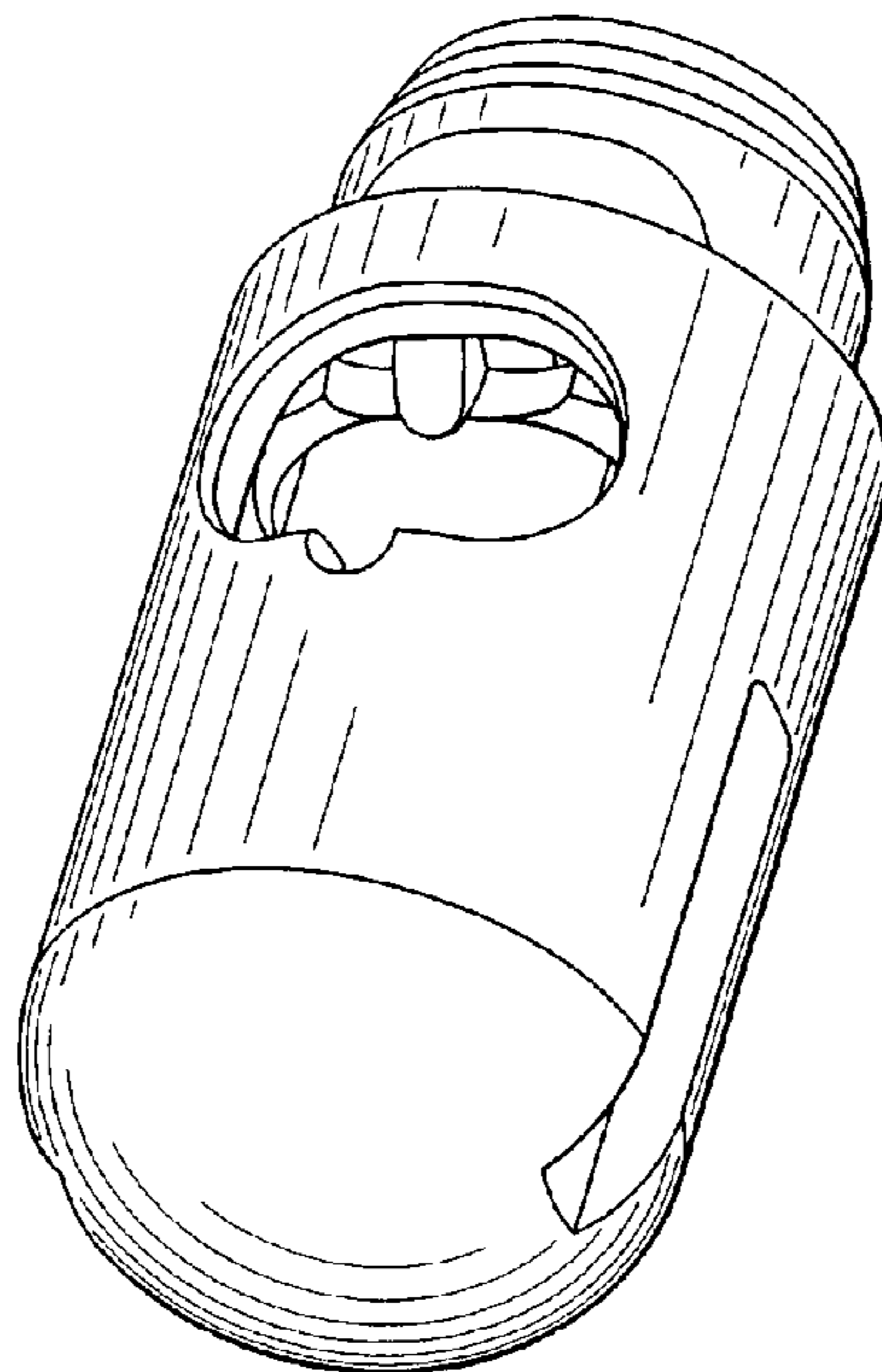


FIG. 6

