

US00D497537S1

(12) **United States Design Patent**
O'Keene et al.

(10) **Patent No.:** **US D497,537 S**
(45) **Date of Patent:** **** Oct. 26, 2004**

(54) **TILT MOUNTING SYSTEM**

(75) Inventors: **Dugan O'Keene**, Forest Park, IL (US);
Peter Hajder, Lombard, IL (US)

(73) Assignee: **Peerless Industries, Inc.**, Melrose Park,
IL (US)

(**) Term: **14 Years**

(21) Appl. No.: **29/187,842**

(22) Filed: **Aug. 8, 2003**

(51) **LOC (7) Cl.** **08-05**

(52) **U.S. Cl.** **D8/355**

(58) **Field of Search** D8/349, 354, 355,
D8/363, 373, 380; D14/447, 451; 248/133,
136, 140, 157, 200, 205.1, 274.1, 276.1,
286.1, 300, 317, 393, 398, 495, 670, 917,
918, 919, 920, 921, 922, 923, 924, 534;
361/681, 682, 825; 312/223.2

(56) **References Cited**

U.S. PATENT DOCUMENTS

D221,044 S	*	6/1971	Douglas	D20/43
5,362,025 A	*	11/1994	Trom et al.	248/670
5,812,368 A	*	9/1998	Chen et al.	361/681
6,213,438 B1	*	4/2001	Ostby et al.	248/276.1
6,418,010 B1	*	7/2002	Sawyer	361/681
6,604,722 B1	*	8/2003	Tan	248/276.1
2003/0121124 A1	*	7/2003	Chen	16/339

2003/0141425 A1 * 7/2003 Obdeijn 248/317
2003/0201372 A1 * 10/2003 Dozier 248/286.1

* cited by examiner

Primary Examiner—James Gandy

Assistant Examiner—Elizabeth Albert

(74) *Attorney, Agent, or Firm*—Foley & Lardner LLP

(57) **CLAIM**

We claim the ornamental design for a tilt mounting system,
as shown and described.

DESCRIPTION

FIG. 1 is a perspective view of a tilt mounting system
showing our new design;

FIG. 2 is a rear end view of the tilt mounting system of FIG.
1;

FIG. 3 is a top plan view of the tilt mounting system of FIG.
1;

FIG. 4 is a front end view of the tilt mounting system of FIG.
1;

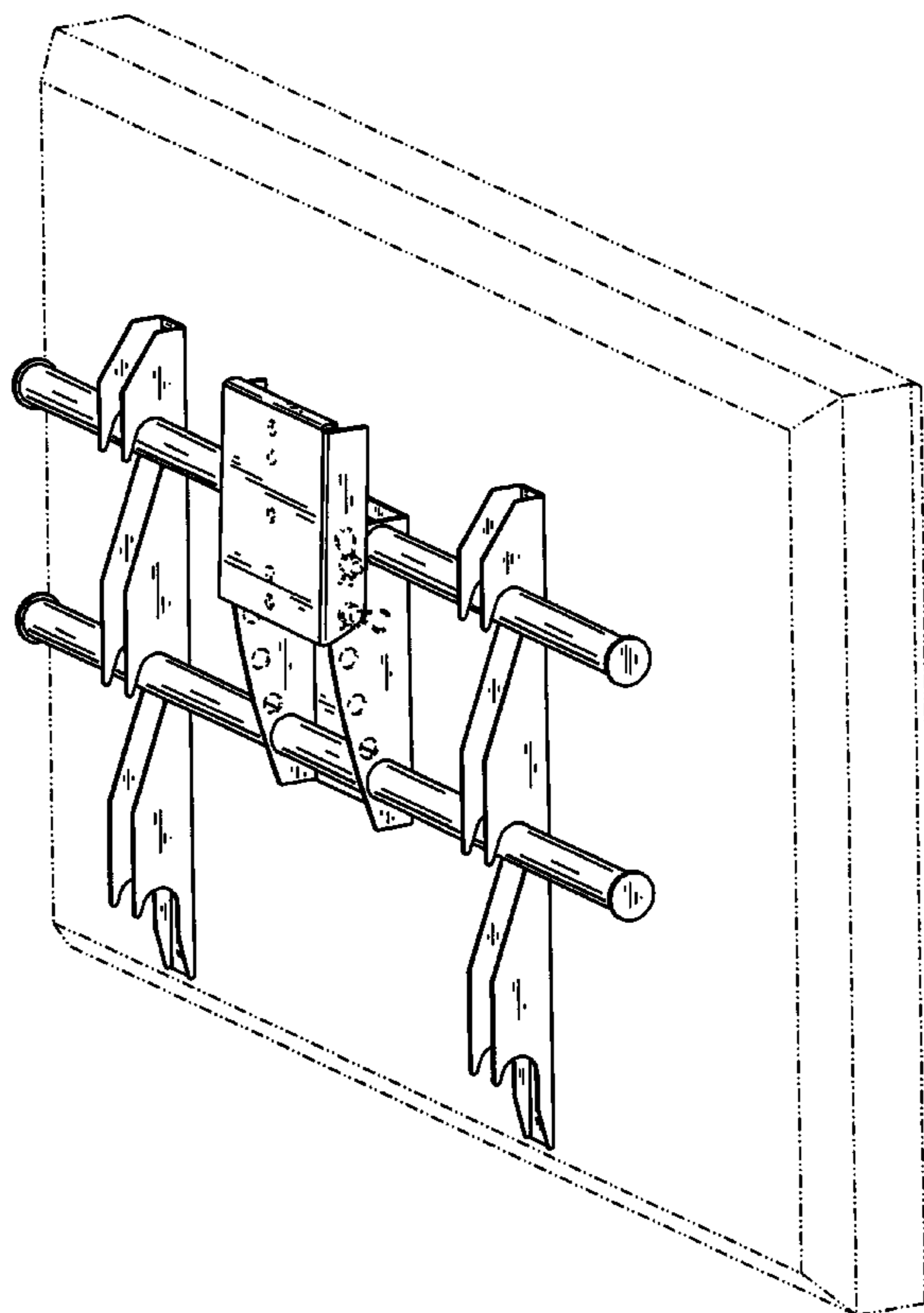
FIG. 5 is a bottom plan view of the tilt mounting system of
FIG. 1;

FIG. 6 is a side view of the tilt mounting system of FIG. 1;
and,

FIG. 7 is a side view of the tilt mounting system of FIG. 1
when in a second position.

The broken lines in the drawings are for illustrative purposes
only and form no part of the claimed design.

1 Claim, 4 Drawing Sheets



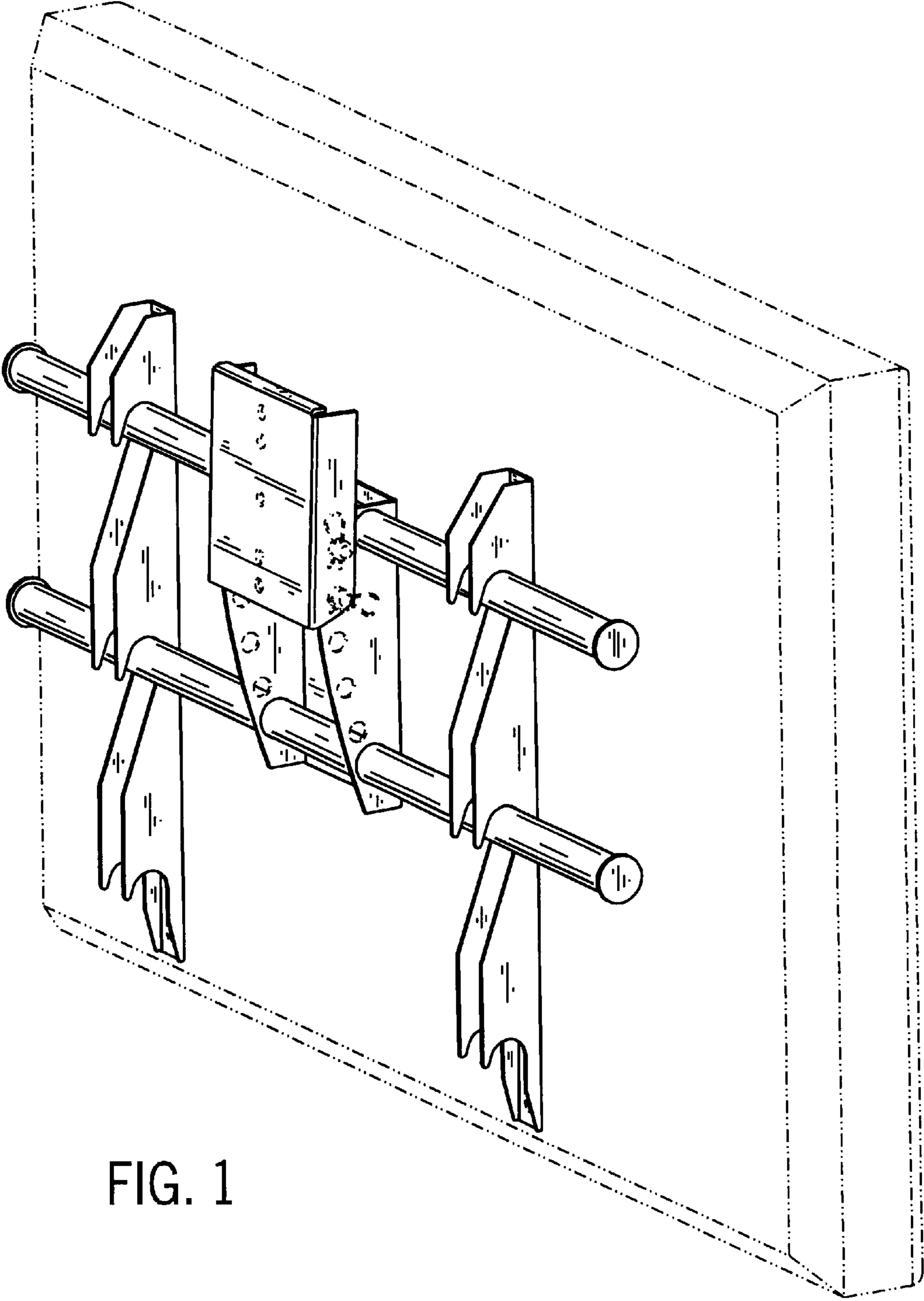


FIG. 1

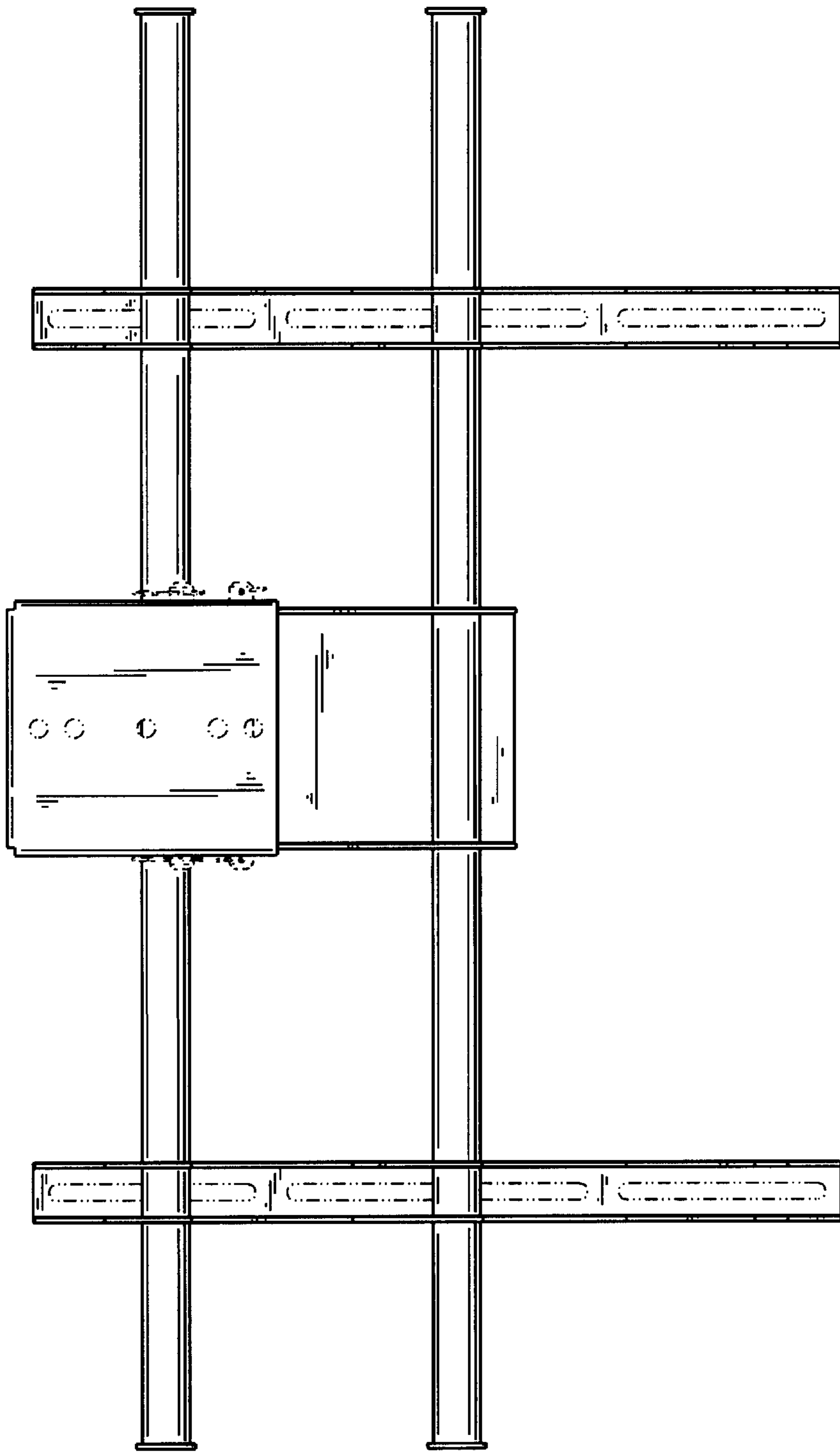


FIG. 2

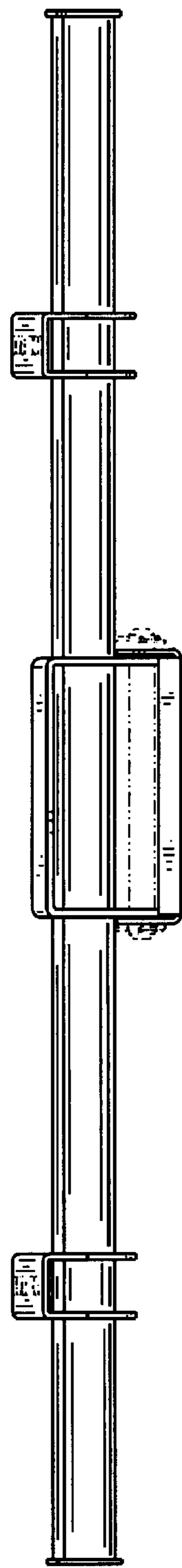


FIG. 3

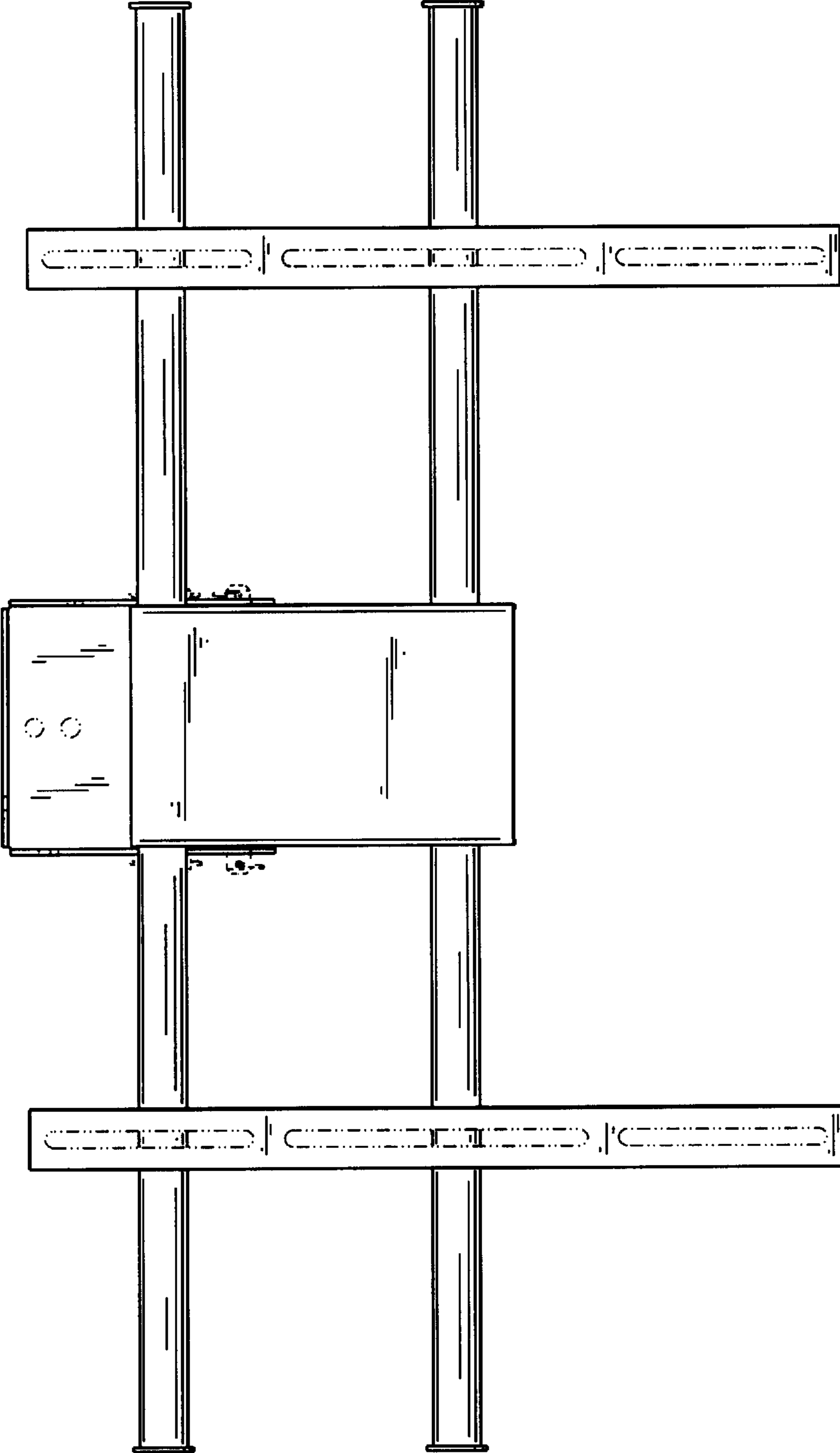


FIG. 4



FIG. 5

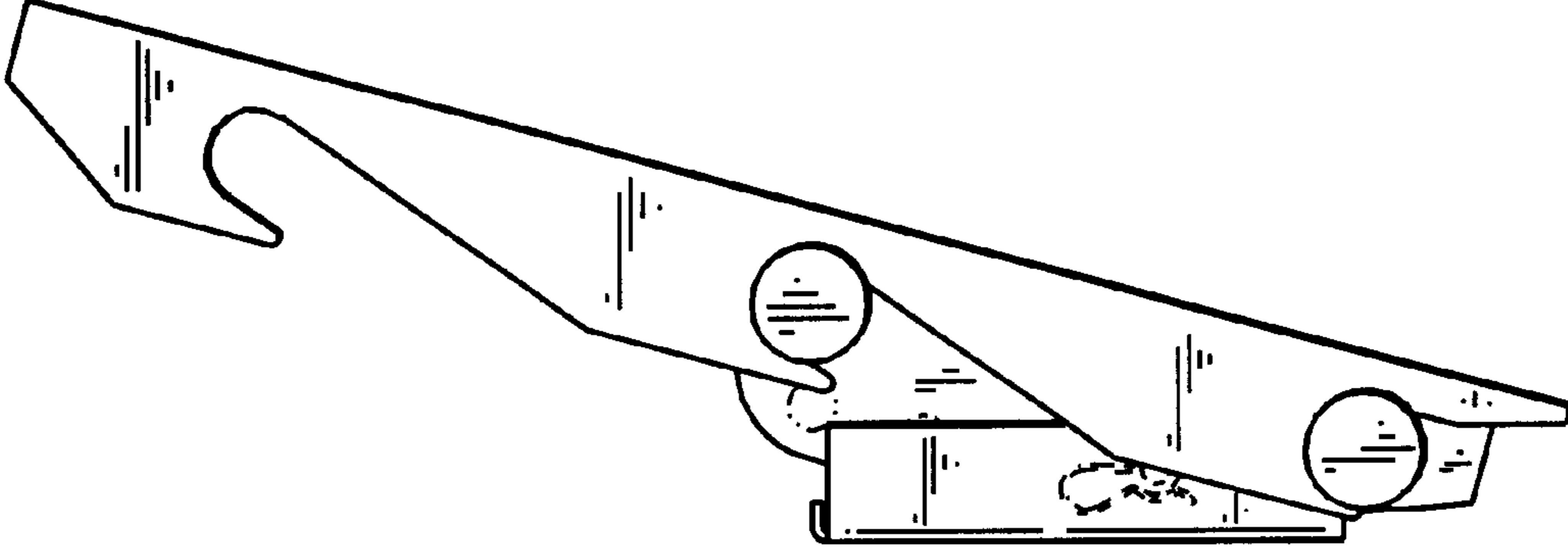


FIG. 7

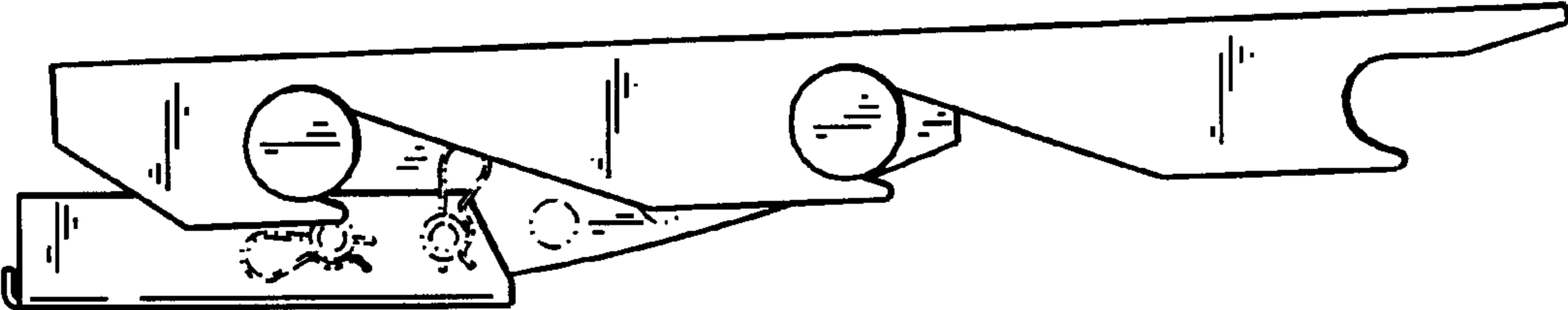


FIG. 6