

US00D497536S1

(12) **United States Design Patent** (10) **Patent No.:** **US D497,536 S**
Fujiwara (45) **Date of Patent:** **** Oct. 26, 2004**

(54) **RUBBER VIBRATION INSULATOR**

(75) Inventor: **Nobuhiro Fujiwara**, Chuo-ku (JP)

(73) Assignee: **Bridgestone Corporation**, Tokyo (JP)

(**) Term: **14 Years**

(21) Appl. No.: **29/186,876**

(22) Filed: **Jul. 24, 2003**

(30) **Foreign Application Priority Data**

Jan. 28, 2003 (JP) 2003-001853

(51) **LOC (7) Cl.** **08-05**

(52) **U.S. Cl.** **D8/354**

(58) **Field of Search** D8/349, 354, 360,
D8/394, 395, 396; D15/138; 180/300; 248/562,
573, 634, 635, 636, 638, 659; 267/35, 140,
140.11, 140.12, 140.13, 141, 153; 384/536

(56) **References Cited**

U.S. PATENT DOCUMENTS

1,977,896 A * 10/1934 Saurer 248/635
2,787,914 A * 4/1957 Nelson 474/168
3,838,850 A * 10/1974 Chorkey 267/141
4,632,372 A * 12/1986 Nakajima et al. 267/140.11
4,669,711 A * 6/1987 Beer 267/140.13
4,767,105 A * 8/1988 Caspers 267/140
D333,606 S * 3/1993 Kanemitsu et al. D8/360

D372,662 S * 8/1996 Atkinson D8/354
D392,547 S * 3/1998 Nakamura D8/356
D403,949 S * 1/1999 Nakamura D8/356
6,616,130 B2 * 9/2003 Hokazono et al. 267/141.1
2001/0019099 A1 * 9/2001 Okanaka et al. 248/562
2003/0151250 A1 * 8/2003 Miura et al. 285/62

* cited by examiner

Primary Examiner—James Gandy

Assistant Examiner—Elizabeth Albert

(74) *Attorney, Agent, or Firm*—Sughrue Mion, PLLC

(57) **CLAIM**

The ornamental design for a rubber vibration insulator, as shown and described.

DESCRIPTION

FIG. 1 is a perspective view of the top, front and right side a rubber vibration insulator showing my new design;
FIG. 2 is a top plan view thereof;
FIG. 3 is a front elevational view thereof, the rear elevational view being identical thereto;
FIG. 4 is a bottom plan view thereof;
FIG. 5 is a left side elevational view thereof, the right side elevational view being identical thereto; and,
FIG. 6 is a cross sectional view with the thick line illustration indicating rubber parts taken along the line “6—6” in FIG. 2.

1 Claim, 6 Drawing Sheets

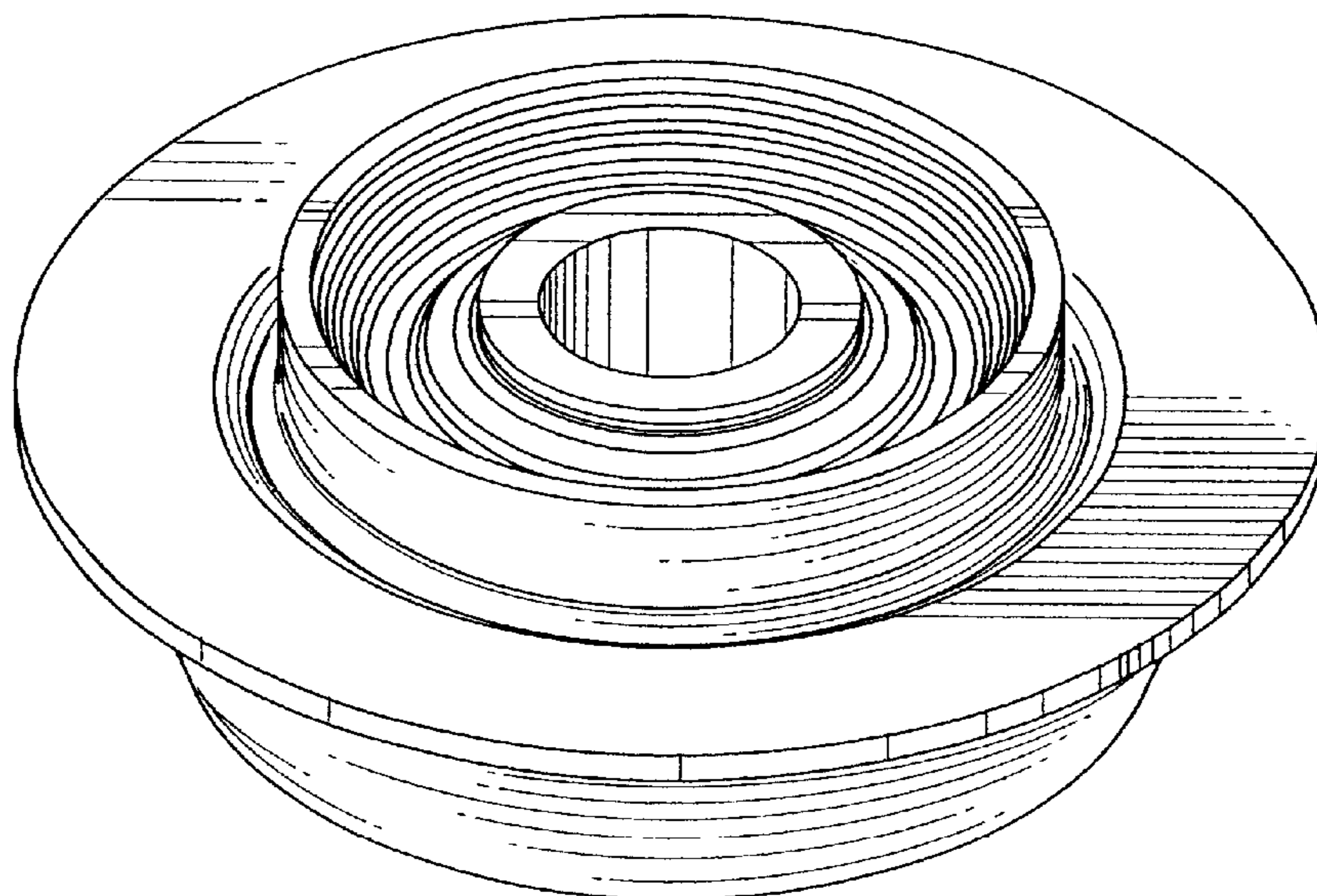


Fig. 1

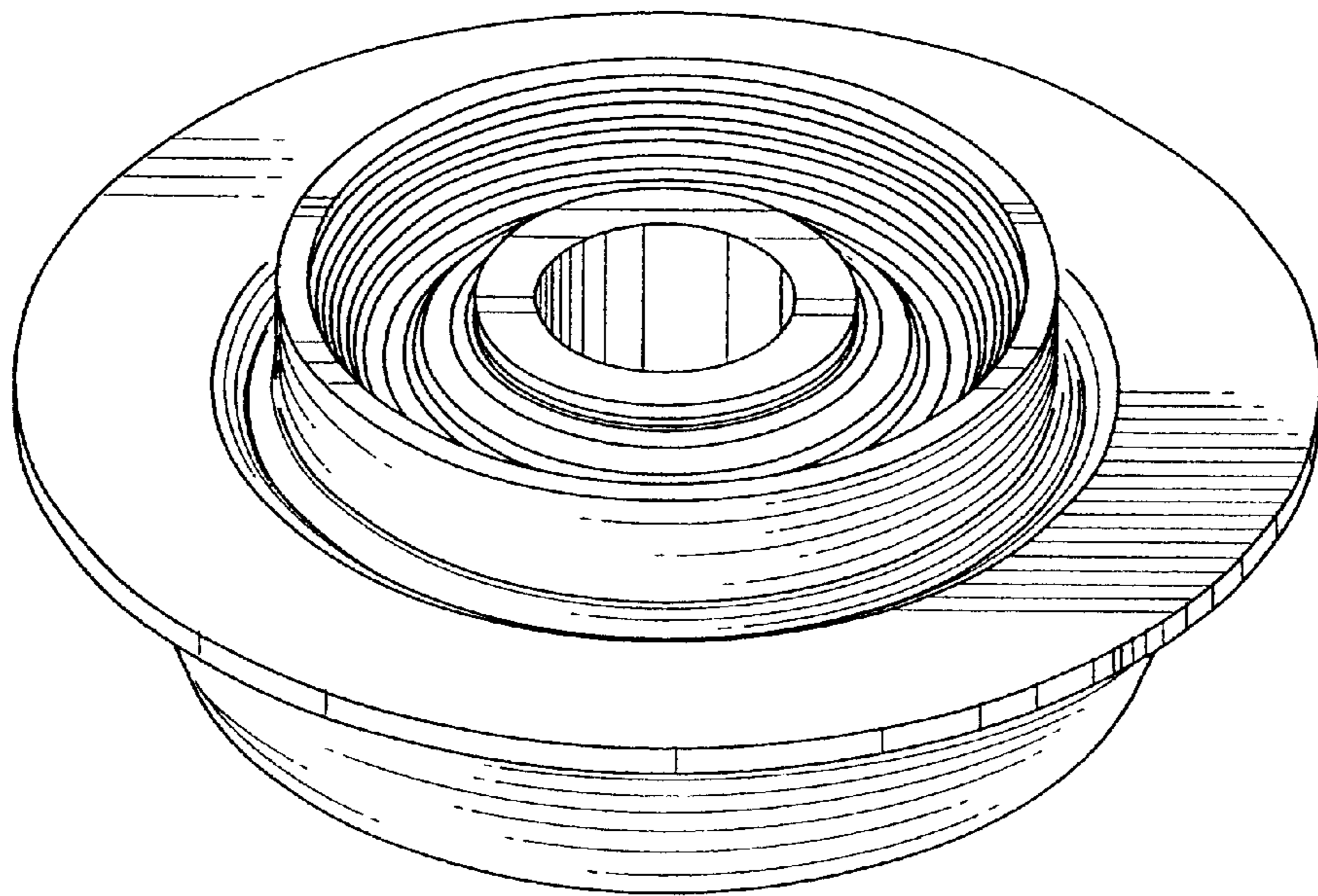


Fig.2

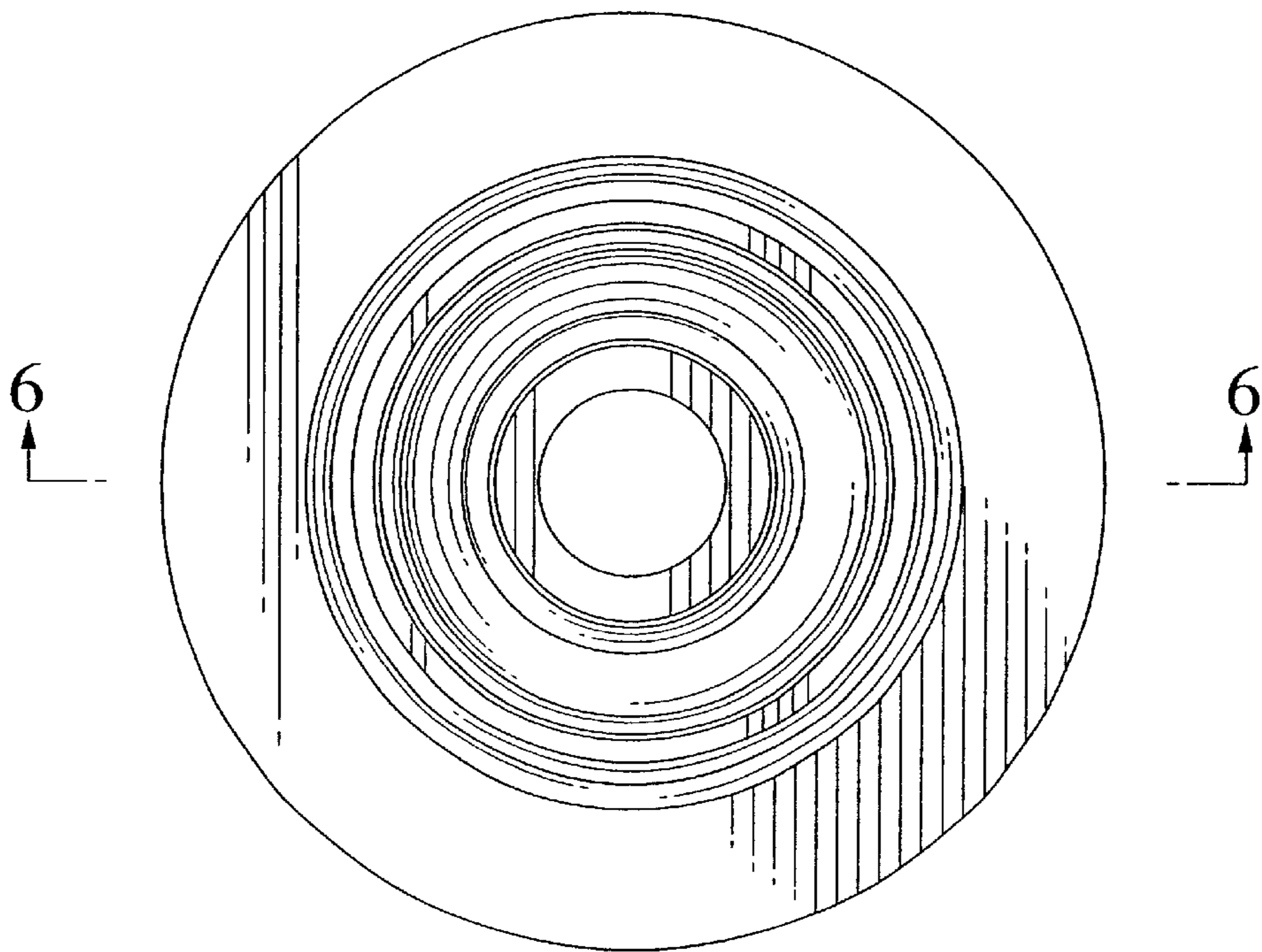


Fig.3

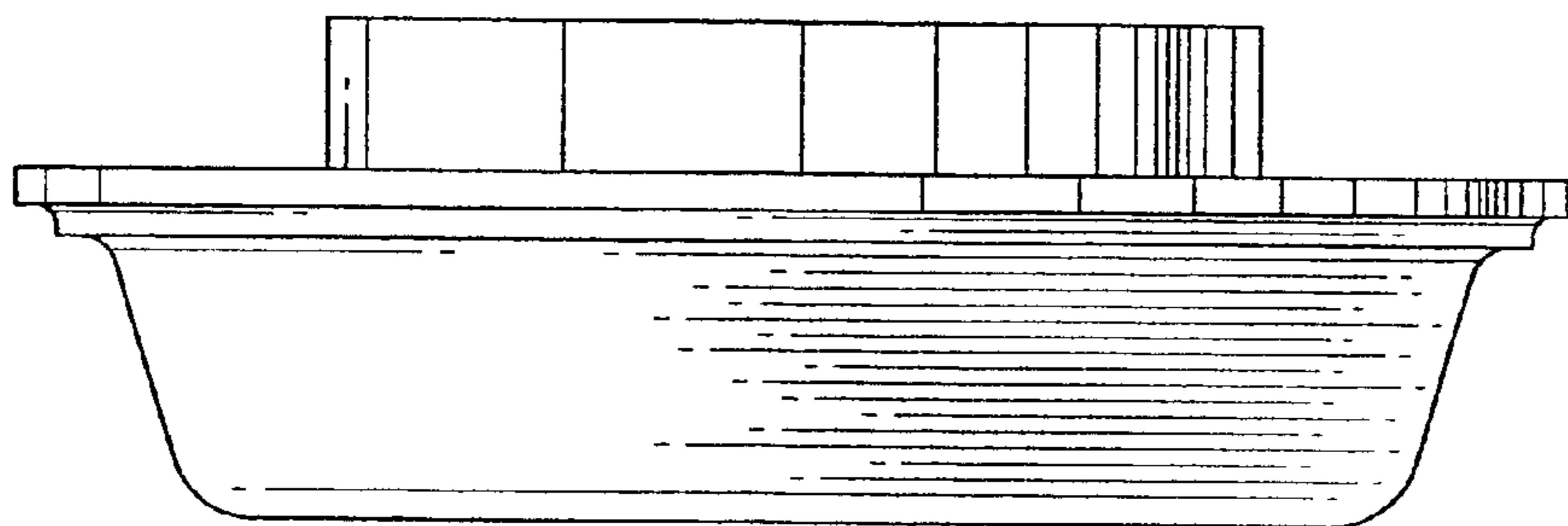


Fig.4

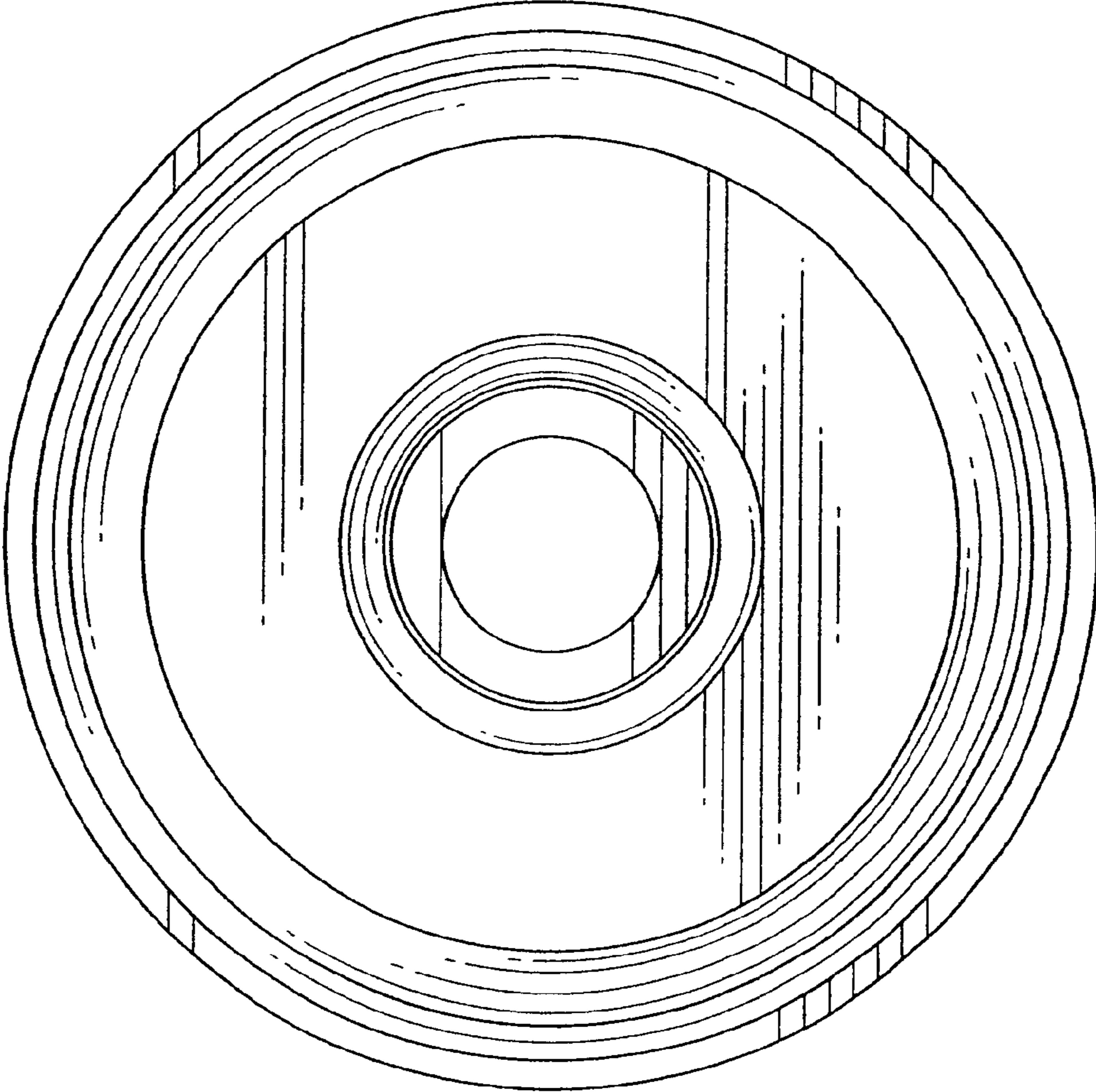


Fig.5

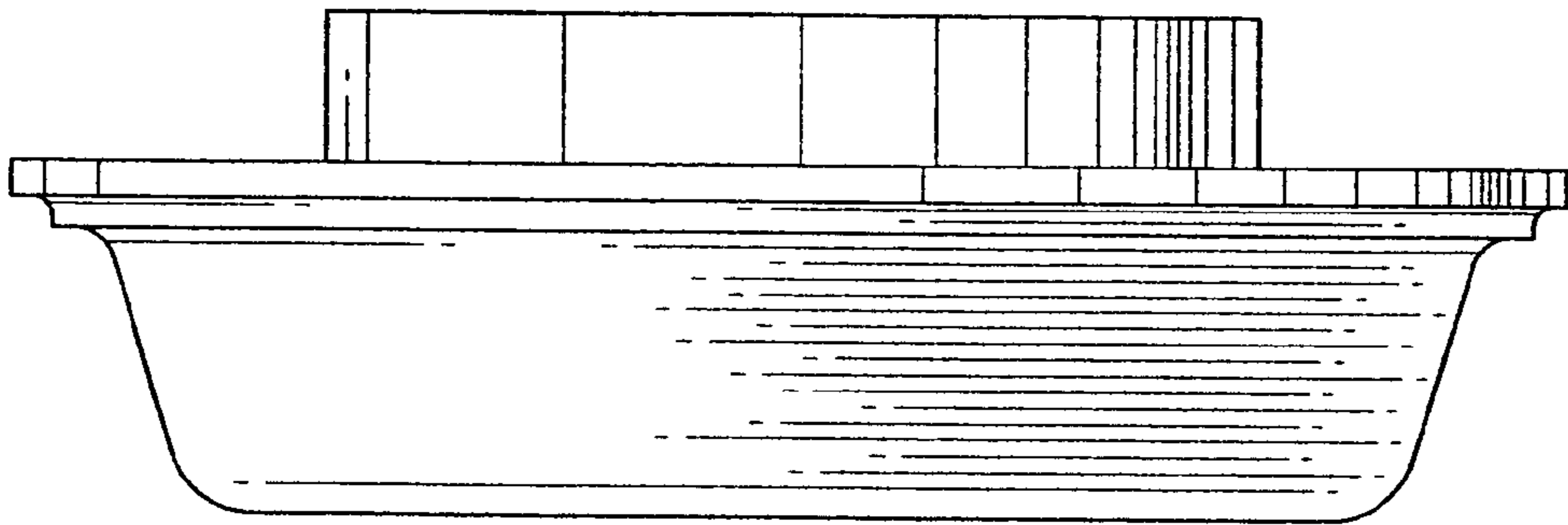


Fig.6

