

US00D497535S1

(12) **United States Design Patent**
Ling et al.

(10) **Patent No.:** **US D497,535 S**

(45) **Date of Patent:** **** Oct. 26, 2004**

(54) **BELT LOOP OF A LOCK**

(75) Inventors: **Renny Tse-Haw Ling**, Chung-Ho
(TW); **Wan-Chun Cheng**, Chung-Ho
(TW)

(73) Assignee: **Sinox Co., Ltd.**, Taipei Hsieng (TW)

(**) Term: **14 Years**

(21) Appl. No.: **29/193,612**

(22) Filed: **Nov. 13, 2003**

(51) **LOC (7) Cl.** **08-07**

(52) **U.S. Cl.** **D8/333; D8/343**

(58) **Field of Search** **D8/330, 333, 343;**
70/14, 19, 51, 258, 30, 56; 292/258, 262,
288, 299

(56) **References Cited**

U.S. PATENT DOCUMENTS

2,344,348	A	*	3/1944	Forsell	70/17
D260,363	S	*	8/1981	Gipson	D8/333
4,724,689	A	*	2/1988	Anchia	70/58
4,912,950	A	*	4/1990	Crowle	70/58
D315,287	S	*	3/1991	Lambert	D8/333
5,193,368	A	*	3/1993	Ling	70/30

D366,822	S	*	2/1996	Brooks et al.	D8/330
5,517,836	A	*	5/1996	Hong	70/30
6,363,758	B1	*	4/2002	Ling	70/30
6,698,256	B2	*	3/2004	Witchey	70/14
D489,597	S	*	5/2004	Fulcher et al.	D8/341

* cited by examiner

Primary Examiner—Prabhakar Deshmukh

(74) *Attorney, Agent, or Firm*—Troxell Law Office PLLC

(57) **CLAIM**

The ornamental design for a belt loop of a lock, as shown and described.

DESCRIPTION

FIG. 1 is a perspective view of a belt loop of a lock showing my design;

FIG. 2 is a front elevation view thereof;

FIG. 3 is a rear elevation view thereof;

FIG. 4 is a left side elevation view thereof;

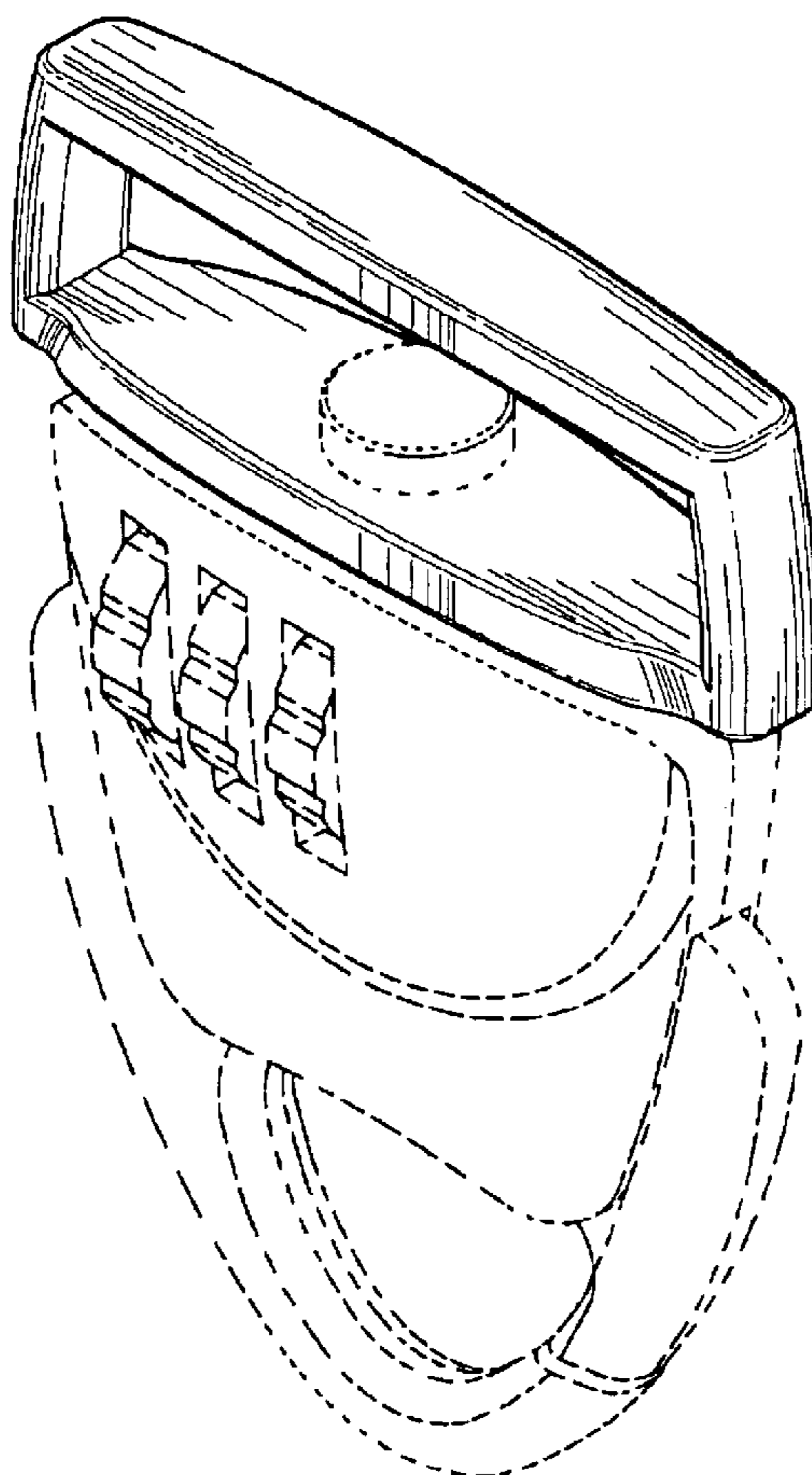
FIG. 5 is a right side elevation view thereof;

FIG. 6 is a top plan view thereof; and,

FIG. 7 is a bottom plan view thereof.

The broken lines are for illustrative purposes only and form no part of the claimed design.

1 Claim, 5 Drawing Sheets



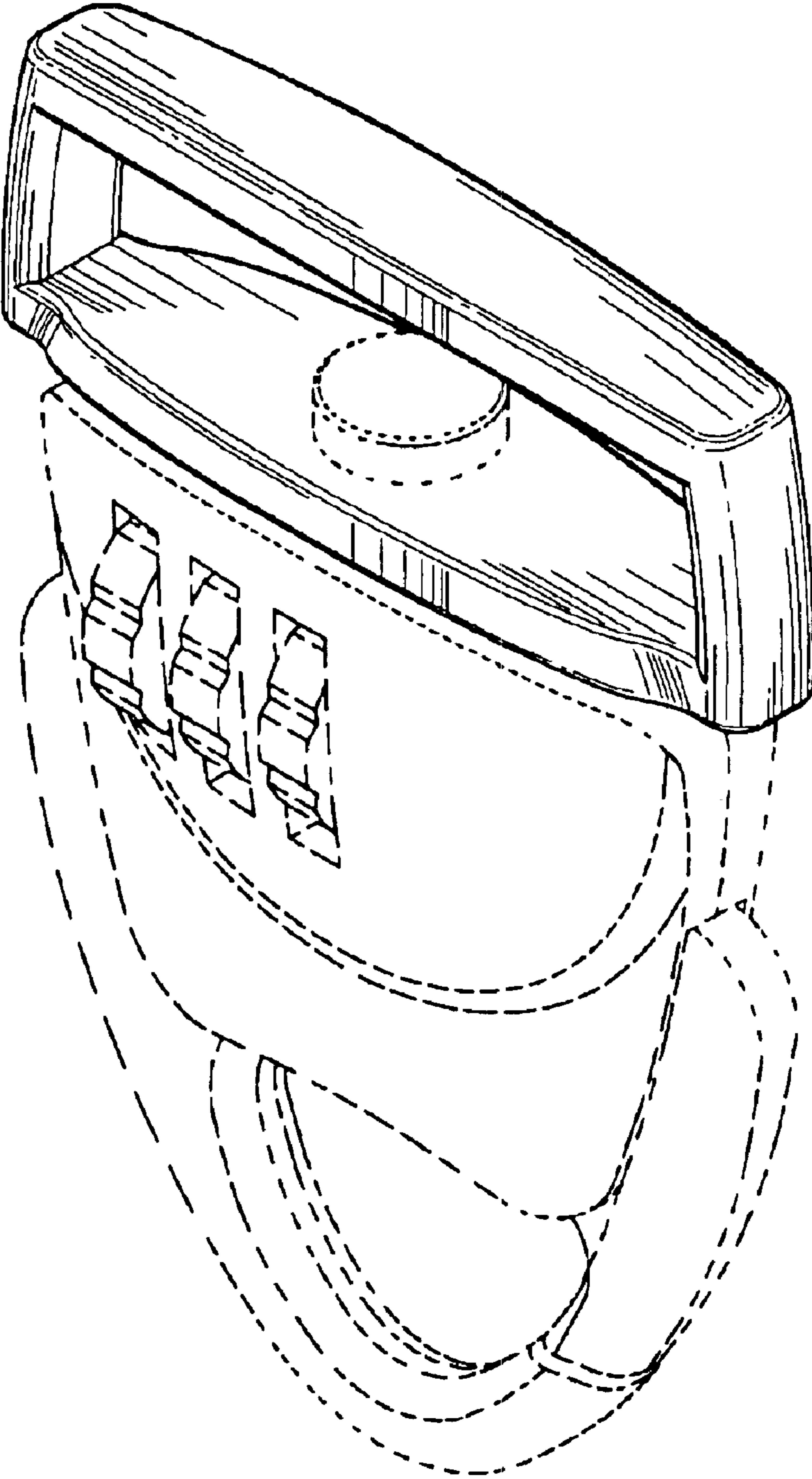


FIG. 1

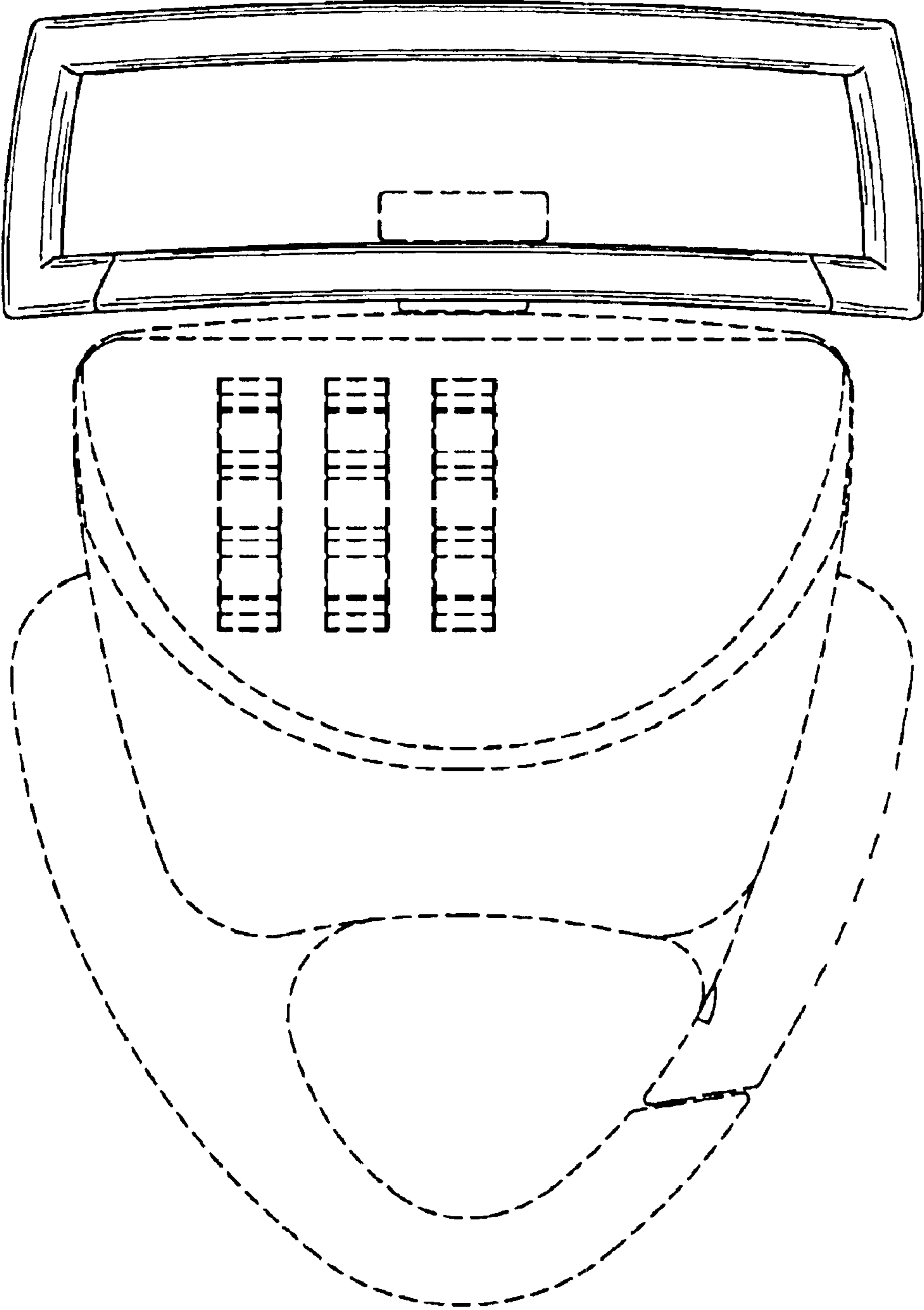


FIG.2

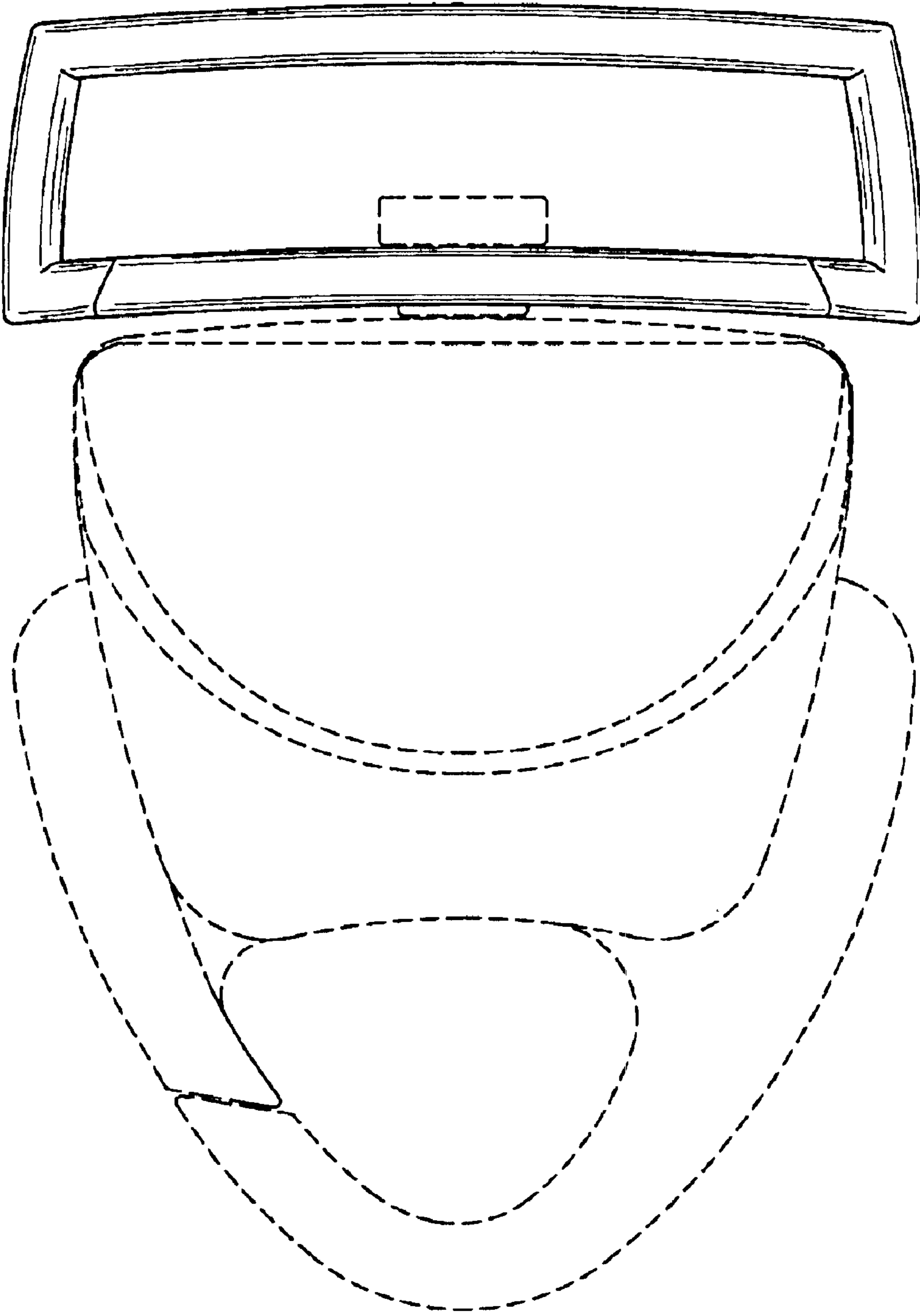


FIG.3

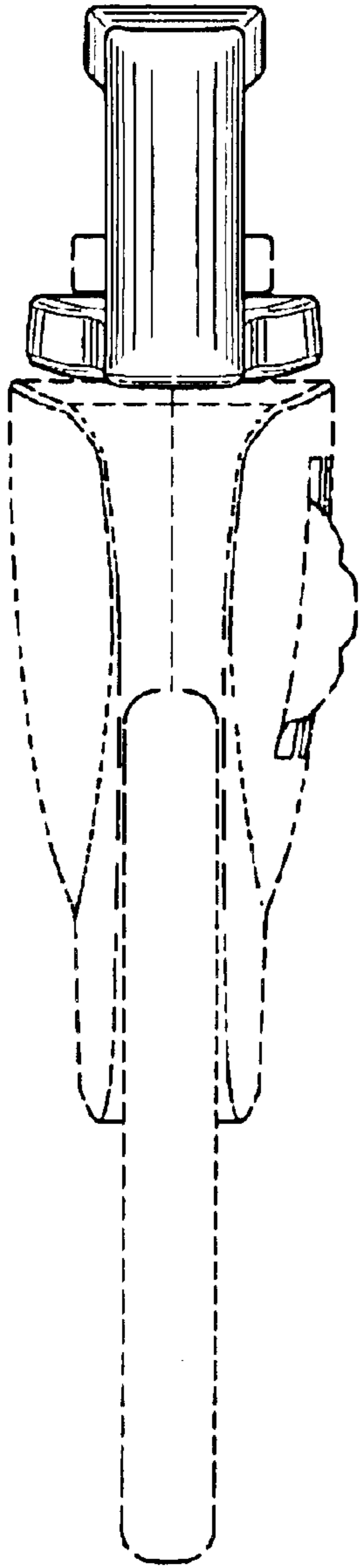


FIG. 4

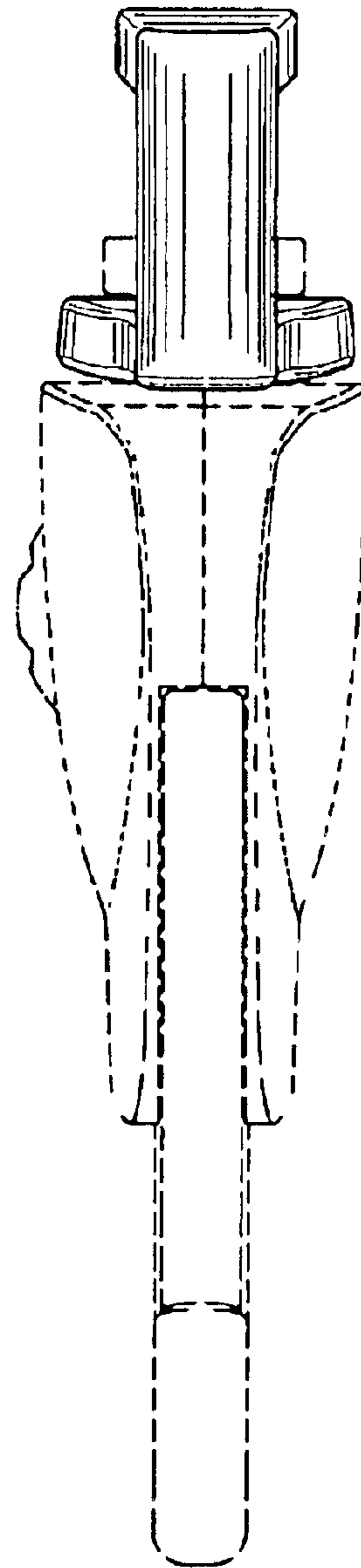


FIG. 5

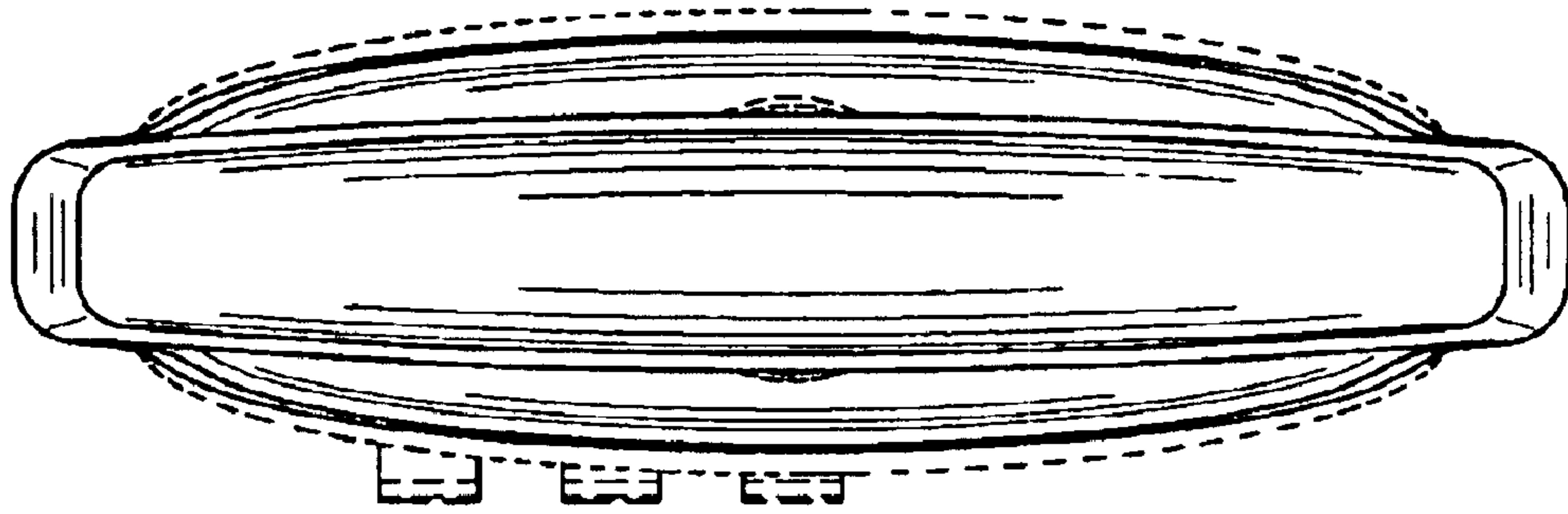


FIG. 6

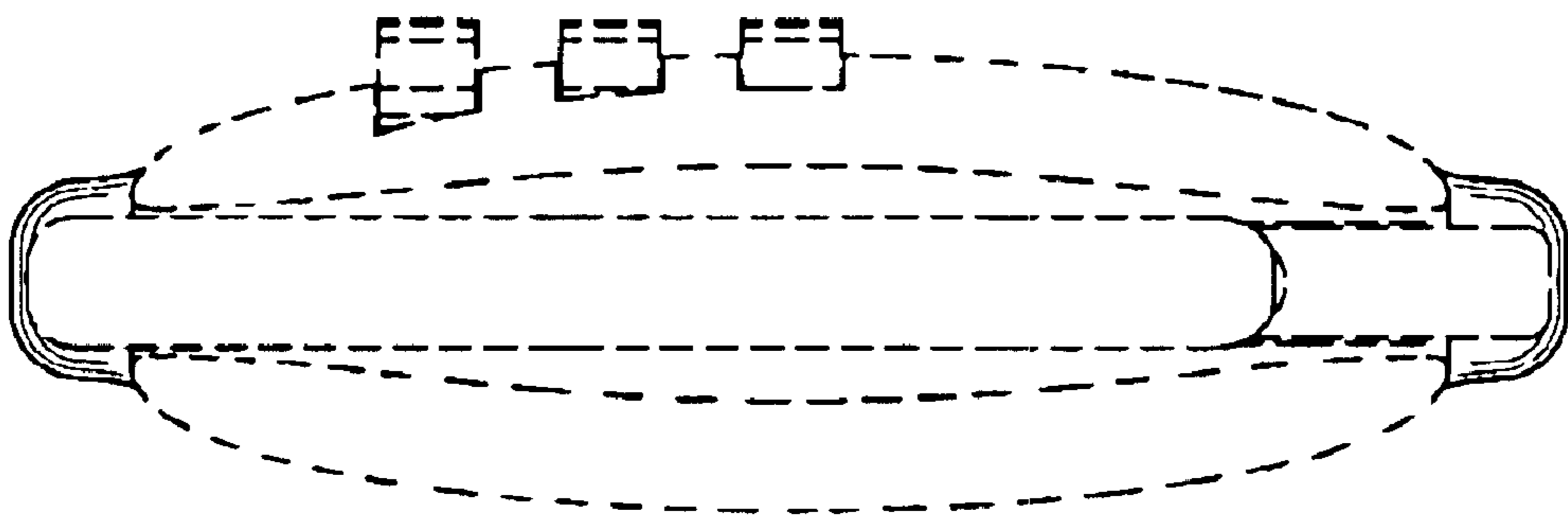


FIG. 7