



US00D497534S1

(12) **United States Design Patent**
Wegman

(10) **Patent No.: US D497,534 S**

(45) **Date of Patent: ** Oct. 26, 2004**

(54) **CABINET HINGE**

(74) *Attorney, Agent, or Firm—Olson & Herl, Ltd.*

(75) Inventor: **Thomas Wegman**, Effingham, IL (US)

(57) **CLAIM**

(73) Assignee: **Stevens Industries, Inc.**, Teutopolis, IL (US)

The ornamental design for a cabinet hinge, as shown and described.

(**) Term: **14 Years**

DESCRIPTION

(21) Appl. No.: **29/199,121**

FIG. 1 is an environmental perspective view of an embodiment of the inventive design for a cabinet hinge showing the cabinet hinge in an open configuration with associated illustrative screws and with portions of an illustrative connected cabinet and portions of an illustrative connected cabinet door being illustrated in phantom;

(22) Filed: **Feb. 10, 2004**

Related U.S. Application Data

(62) Division of application No. 29/165,954, filed on Aug. 20, 2002.

FIG. 2 is an elevational view of the right side of the design shown in FIG. 1 with the illustrative associated screws being shown partially in phantom;

(51) **LOC (7) Cl. 08-06**

(52) **U.S. Cl. D8/323**

FIG. 3 is an elevational view of the left side of the design shown in FIG. 1 with the illustrative associated screws being shown in phantom;

(58) **Field of Search** D8/323, 324, 325, D8/326, 327, 328, 329; 16/50, 221, 234, 254, 286, 385, 386, 387, 389, 390, 391, 392, DIG. 29

FIG. 4 is a top plan view of the design shown in FIG. 1 with the associated illustrative screws being shown in phantom; FIG. 5 is a front elevational view of the design shown in FIG. 1 with some of the associated illustrative screws;

(56) **References Cited**

U.S. PATENT DOCUMENTS

2,124,969	A *	7/1938	Bagley et al.	16/387
2,624,067	A	1/1953	Tassell	
2,808,610	A	10/1957	Minor	
3,439,377	A	4/1969	Bucholz	
3,577,584	A	5/1971	Himmelreich	
3,591,247	A	7/1971	Berry	
3,710,416	A	1/1973	Phelps	
5,067,200	A	11/1991	Stowell et al.	
5,103,532	A *	4/1992	Youngdale et al.	16/288
5,144,721	A	9/1992	Schade	
5,355,559	A	10/1994	Bowers et al.	
5,884,363	A *	3/1999	Tofts	16/387
D443,196	S *	6/2001	Sosa	D8/323
6,353,966	B1 *	3/2002	King	16/389
2004/0034966	A1 *	2/2004	Wegman	16/254
2004/0034969	A1 *	2/2004	Wegman	16/389

FIG. 6 is a back elevational view of the design shown in FIG. 1;

FIG. 7 is an elevational perspective view similar to FIG. 1, but showing the cabinet hinge design in an closed configuration with the illustrative associated screws and with the portions of the illustrative connected cabinet and of the illustrative connected cabinet door being shown in phantom; FIG. 8 is an elevational view of the right side of the FIG. 7 design;

* cited by examiner

FIG. 9 is an elevational view of the left side of the FIG. 7 design;

Primary Examiner—Joel Sincavage
Assistant Examiner—T. Chase Nelson

FIG. 10 is a top plan view of the FIG. 7 design with the associated illustrative screws and the portions of the illustrative connected cabinet and of the illustrative connected cabinet door being shown in phantom;

FIG. 11 is a front elevational view of the FIG. 7 design with the associated illustrative screws; and,

FIG. 12 is a back elevational view of the FIG. 7 design. The phantom line showing of environmental structure, including portions of illustrative screws, is for illustrative purposes only and forms no part of the claimed design.

1 Claim, 2 Drawing Sheets

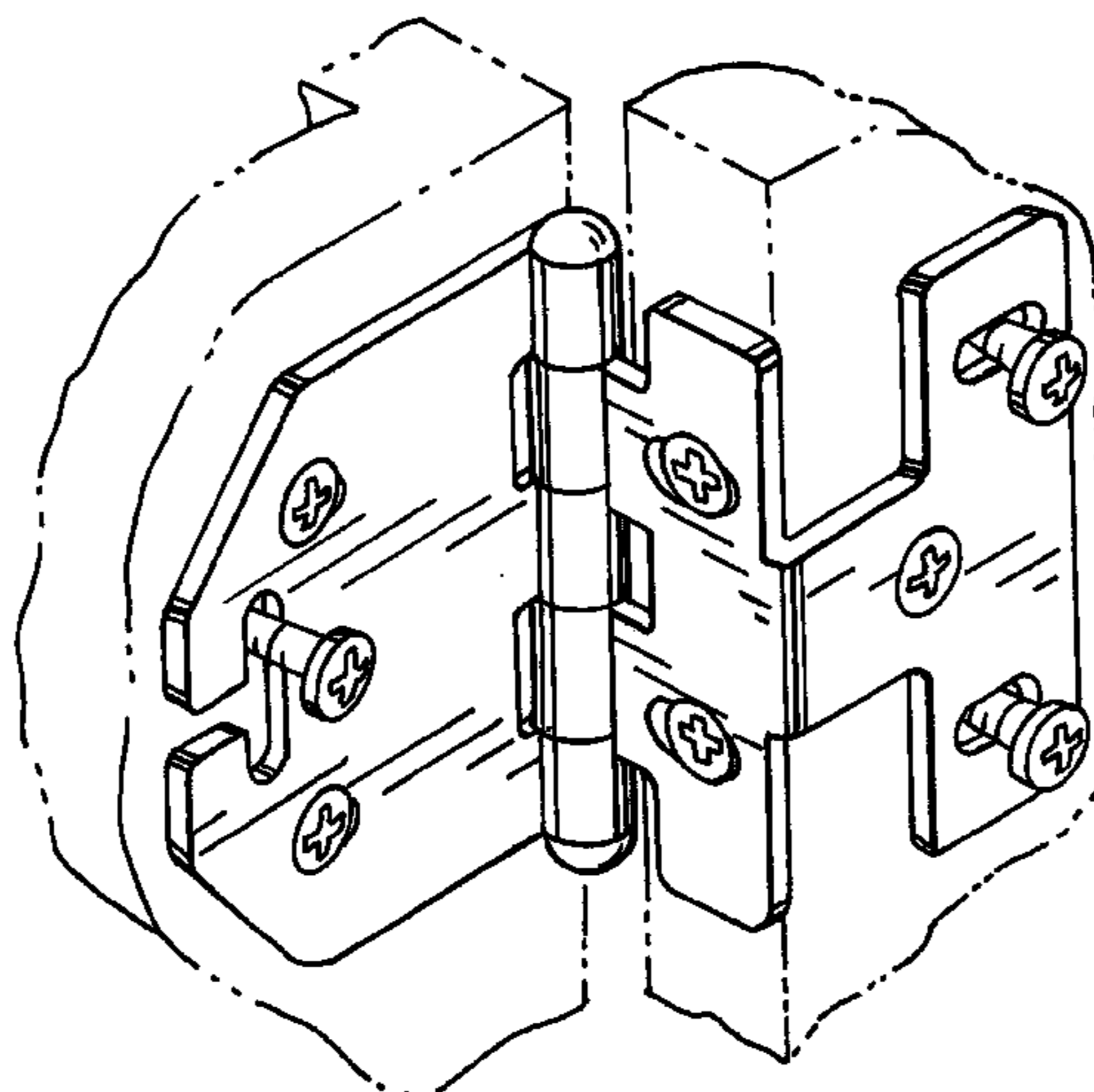


FIG. 1

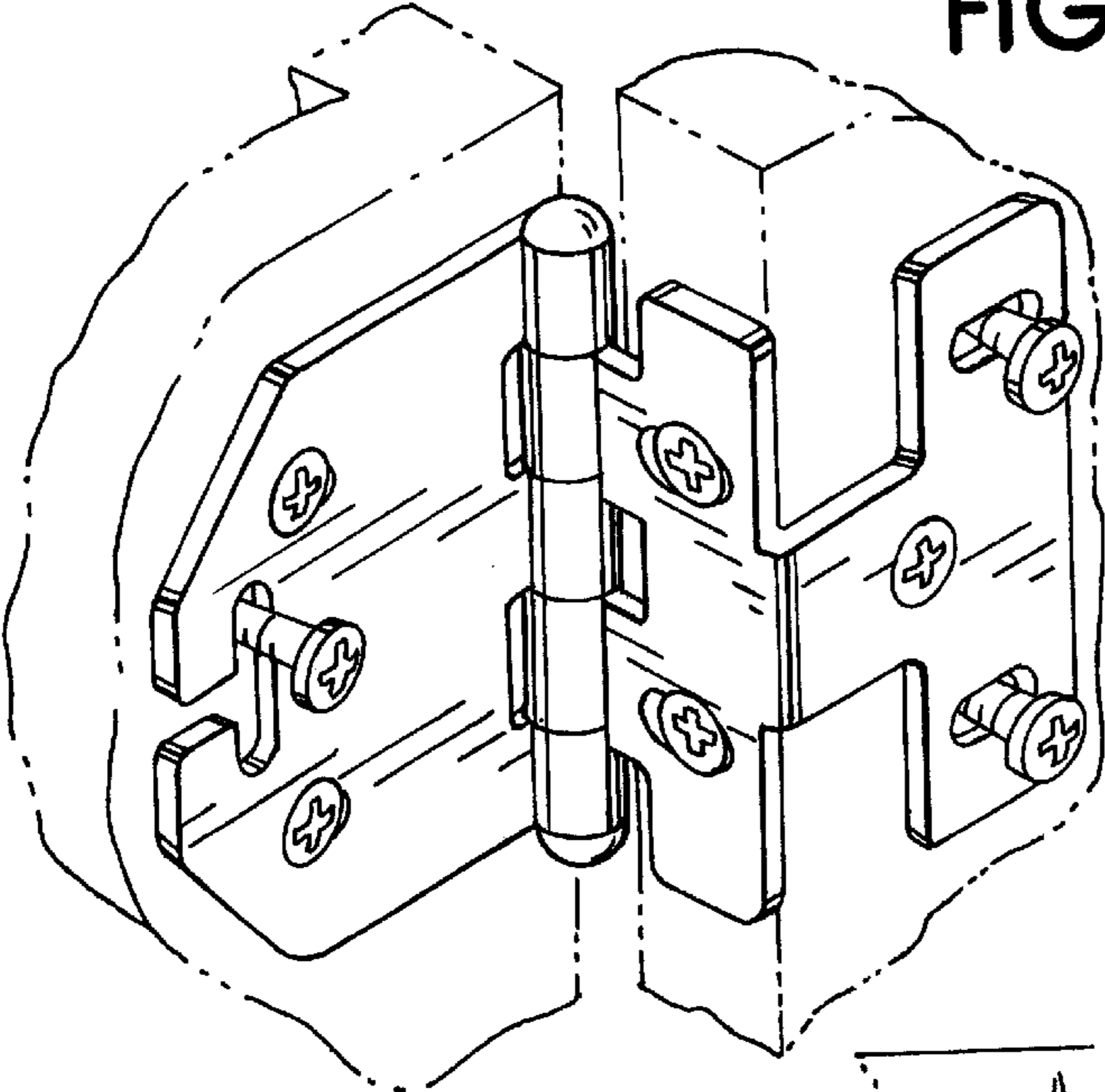


FIG. 2

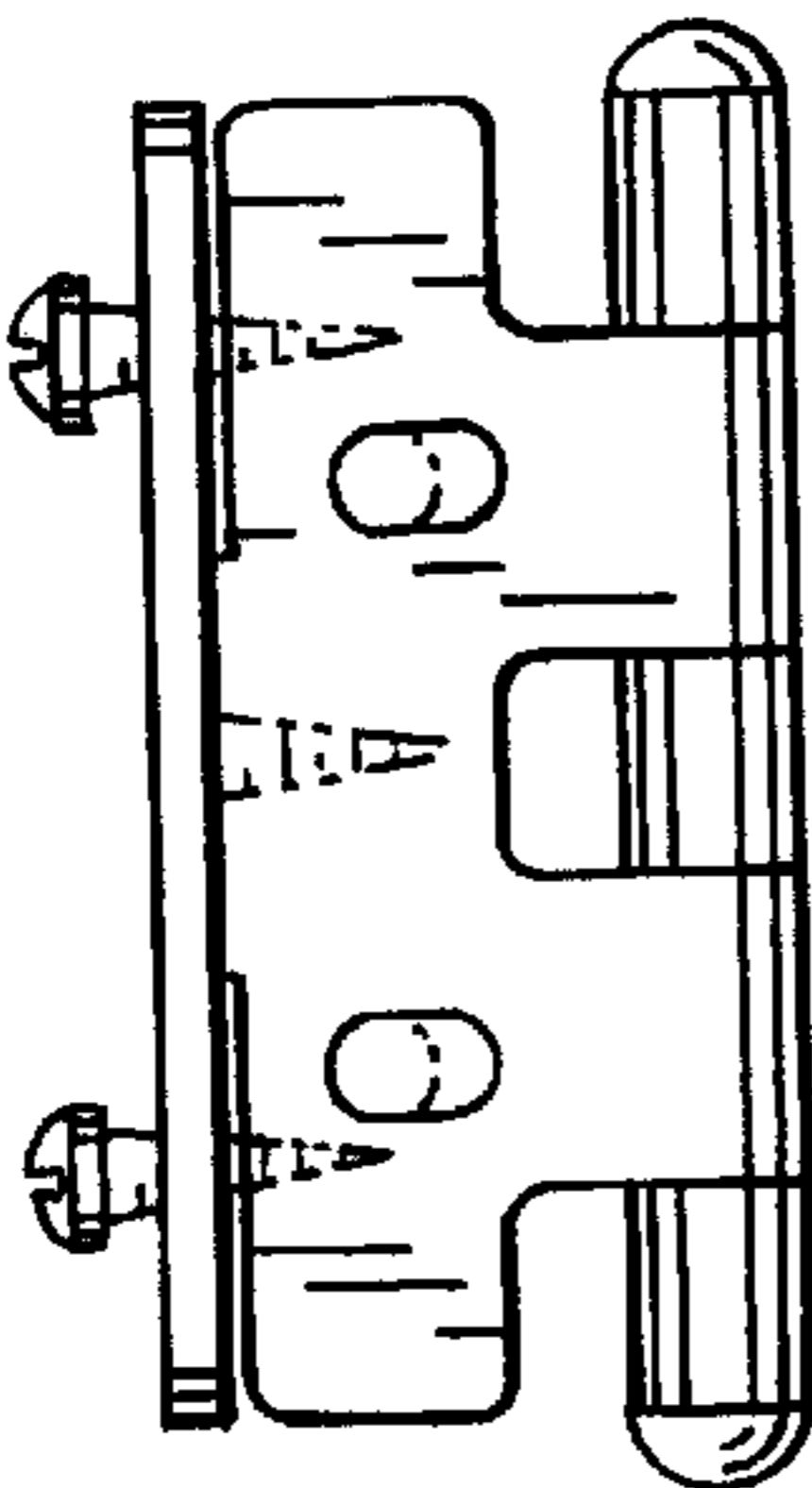


FIG. 3

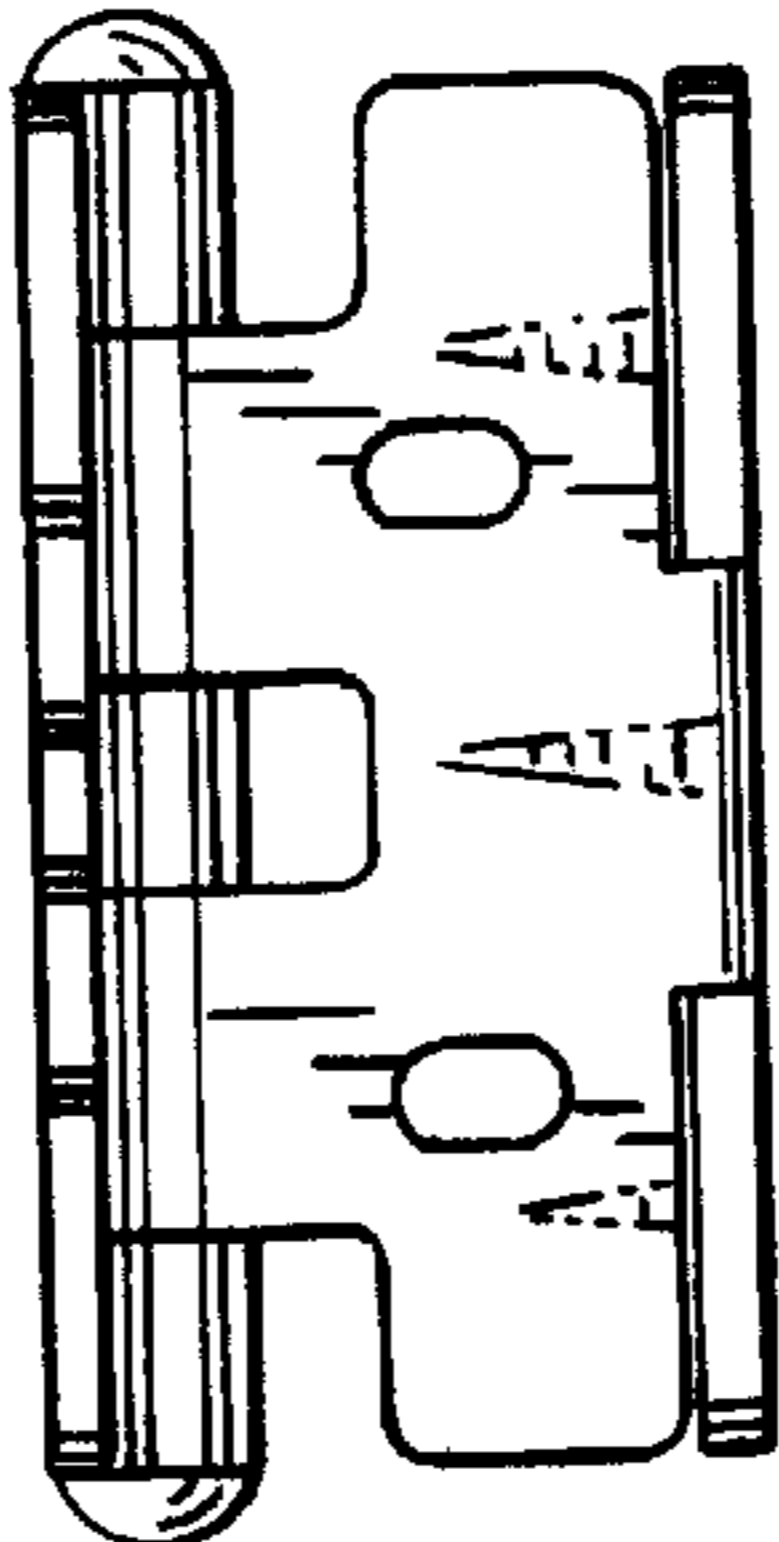


FIG. 5

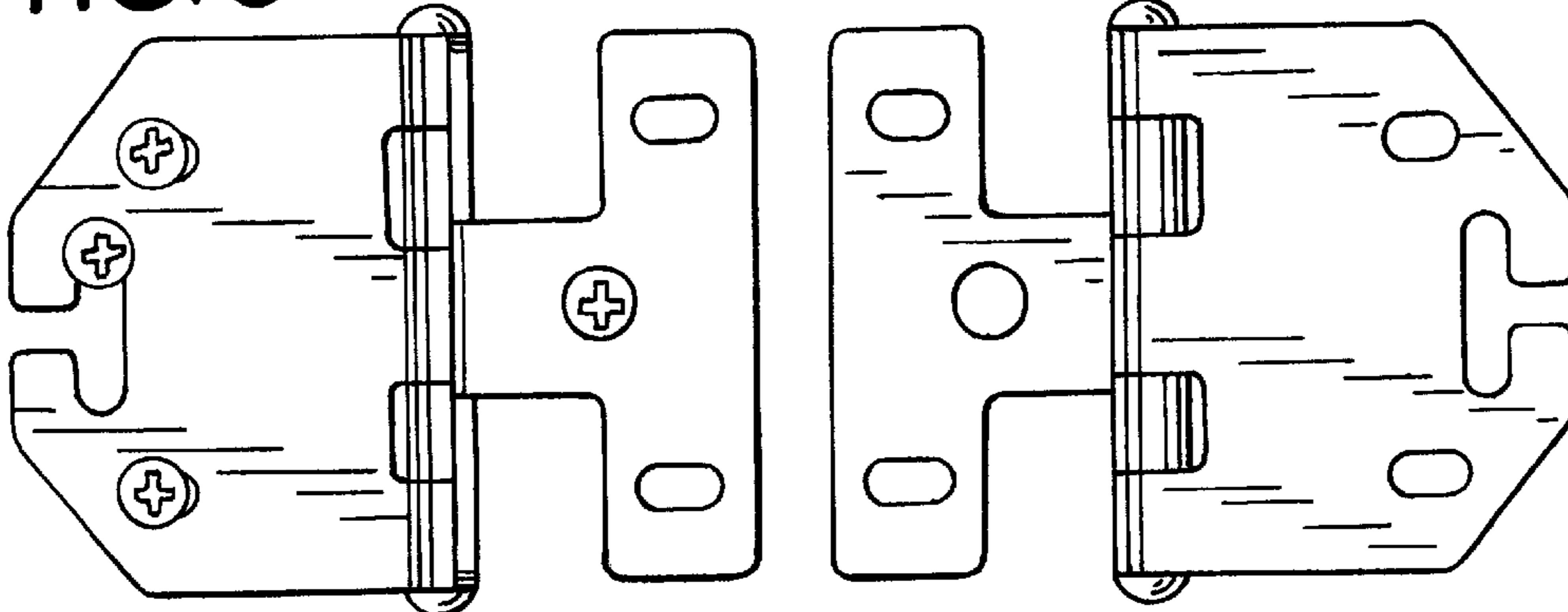


FIG. 4

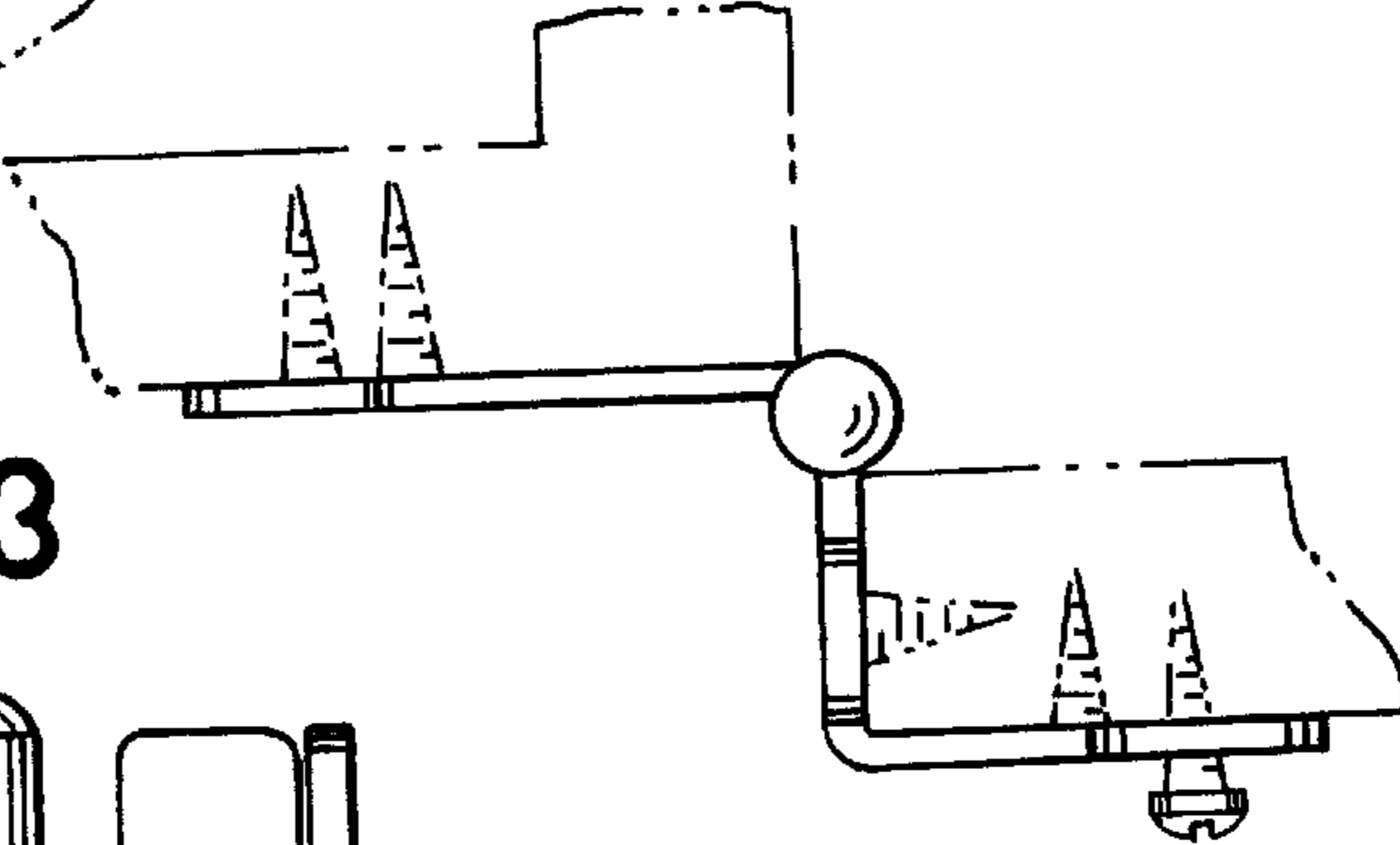


FIG. 6

FIG. 7

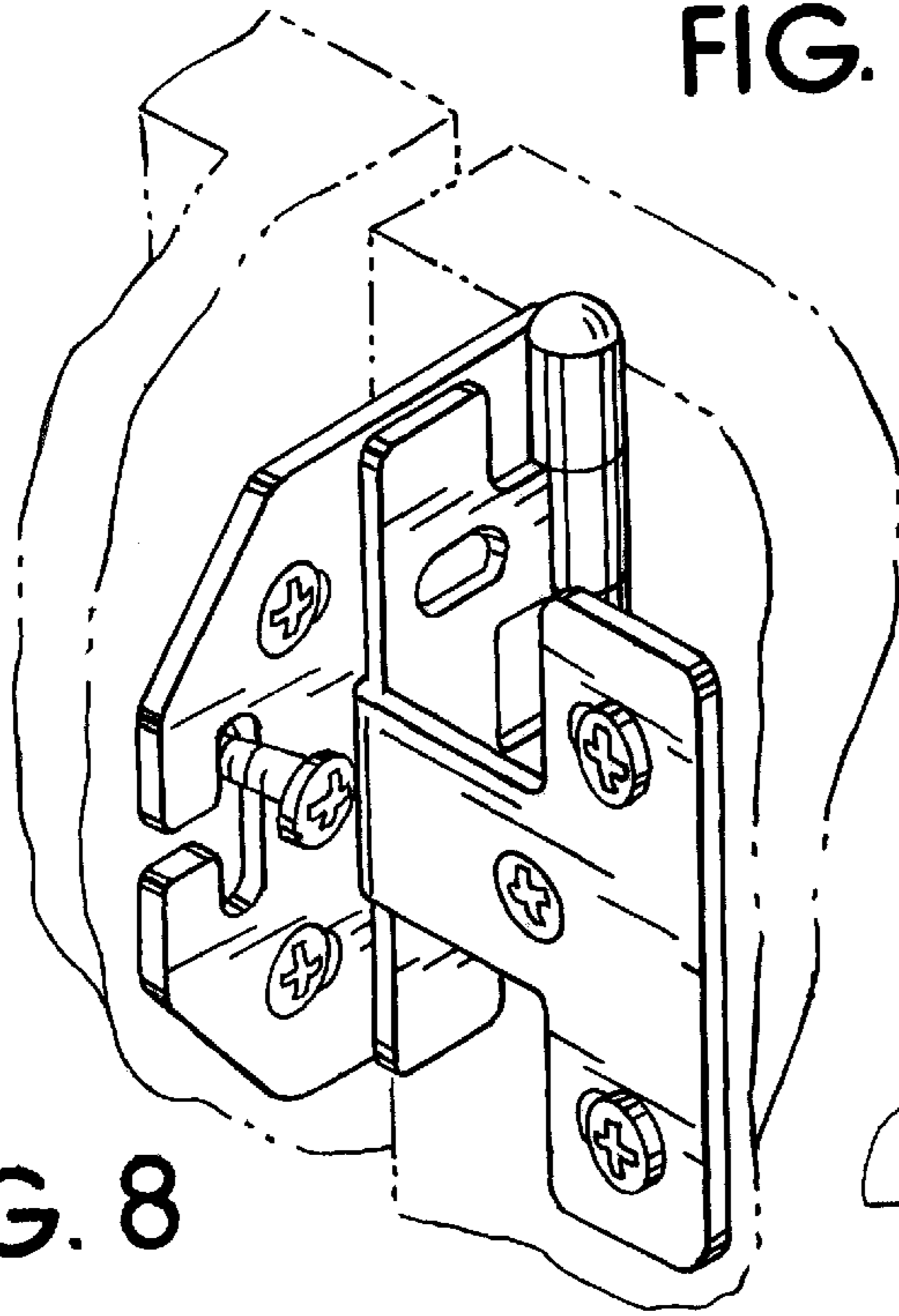


FIG. 8

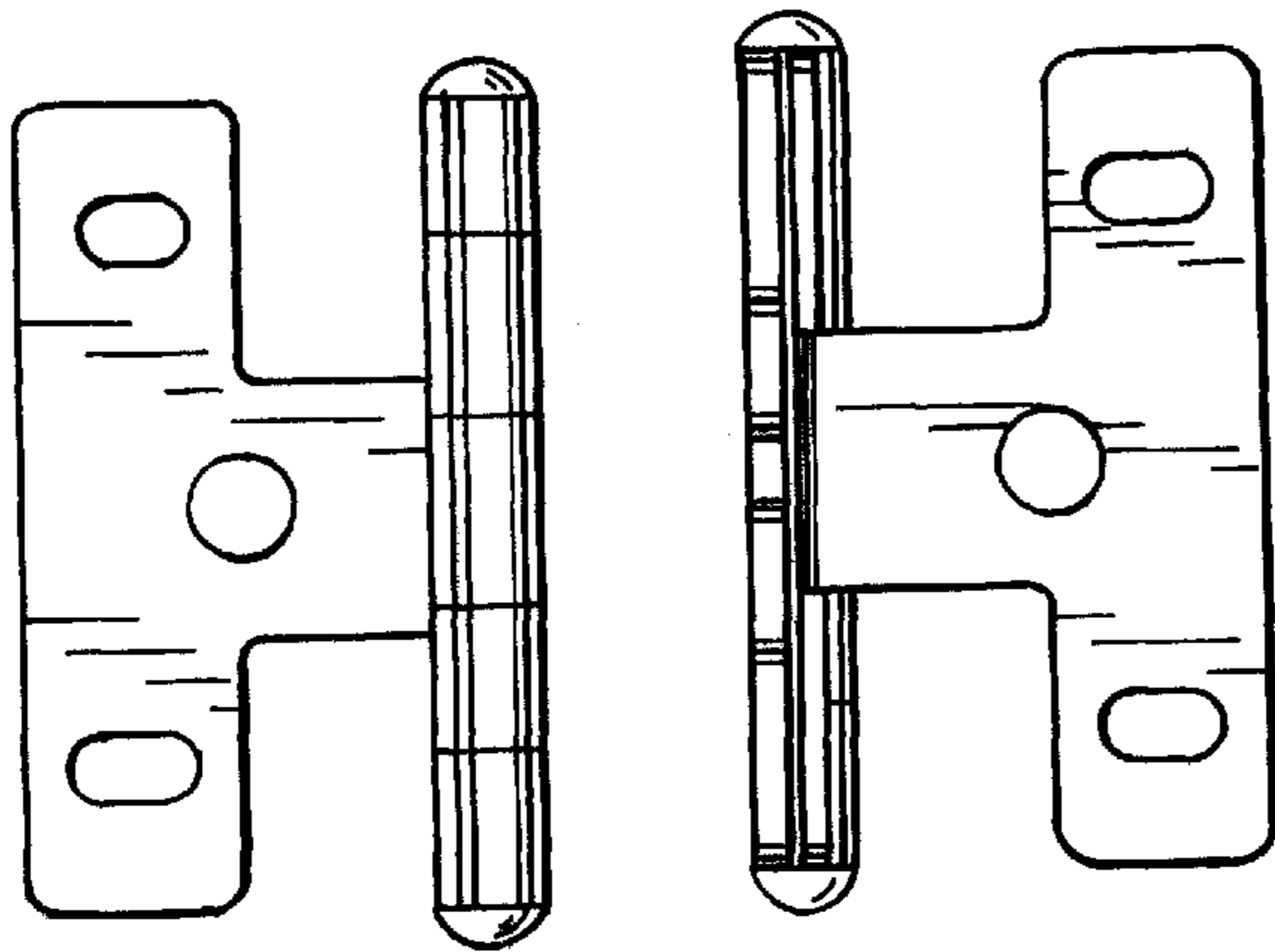


FIG. 11

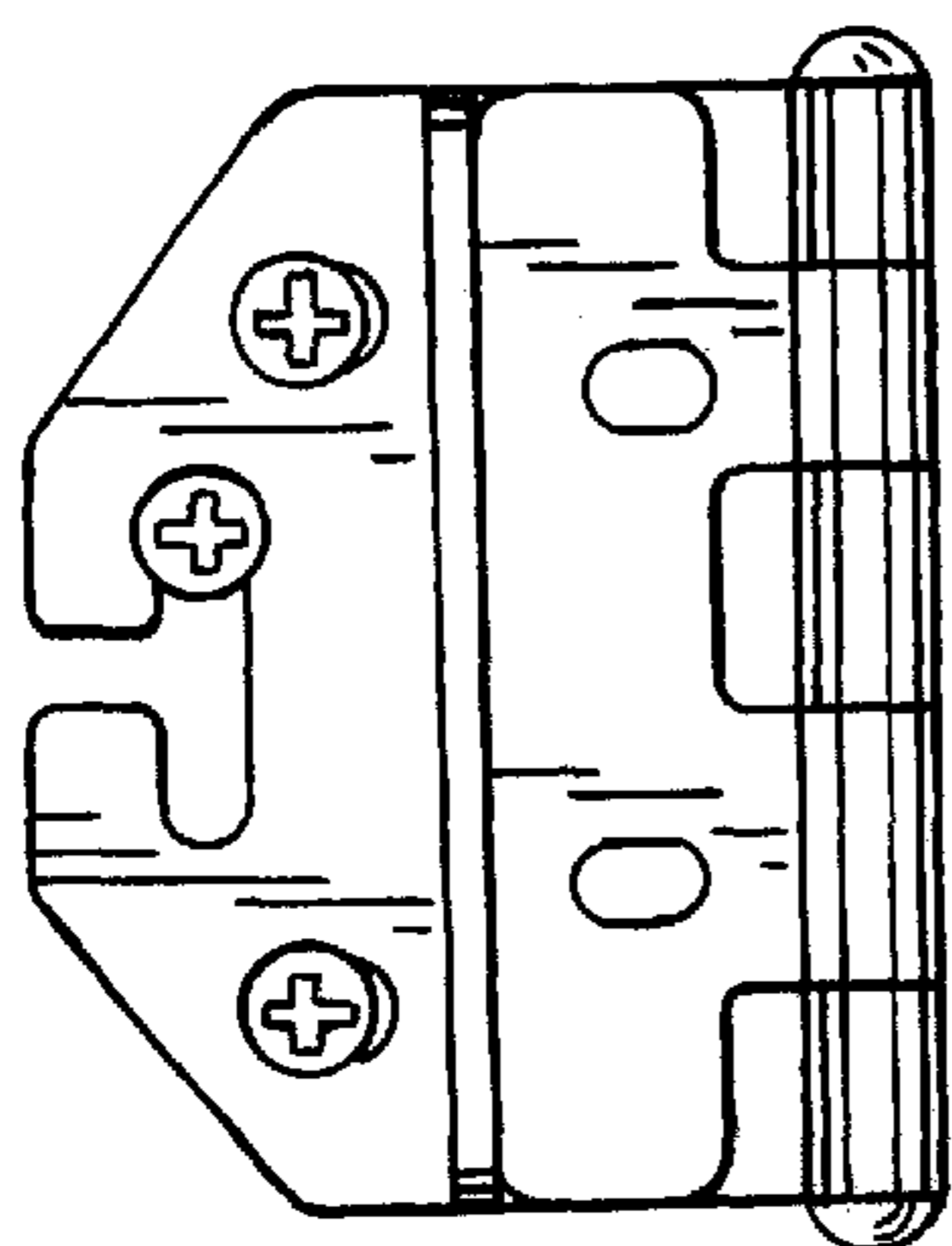


FIG. 10

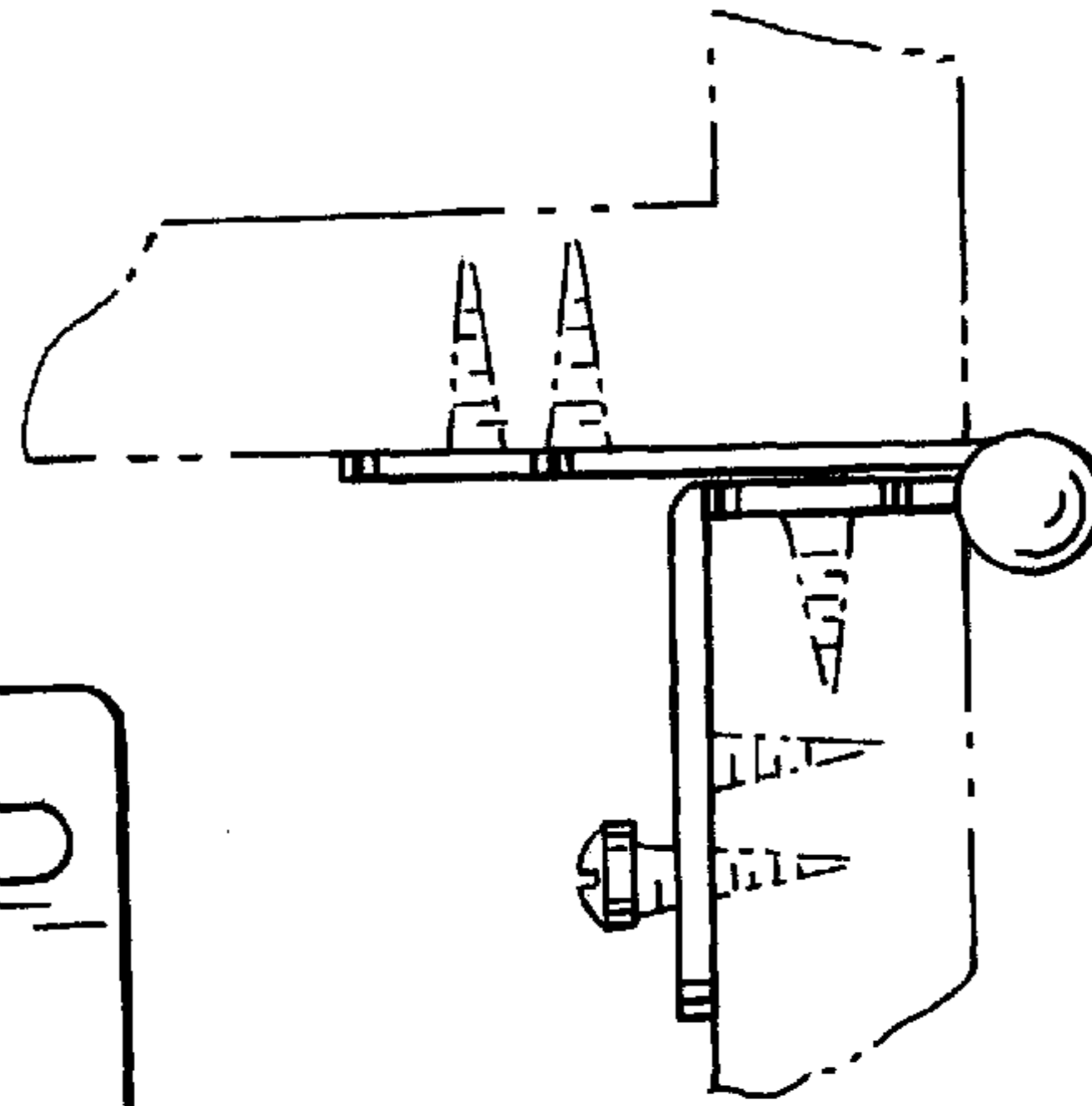


FIG. 9

FIG. 12

