



US00D497533S1

(12) **United States Design Patent** (10) **Patent No.:** **US D497,533 S**  
**Wegman** (45) **Date of Patent:** **\*\* Oct. 26, 2004**

(54) **HINGE**

(75) Inventor: **Thomas Wegman**, Effingham, IL (US)

(73) Assignee: **Stevens Industries, Inc.**, Teutopolis, IL (US)

(\*\*) Term: **14 Years**

(21) Appl. No.: **29/199,101**

(22) Filed: **Feb. 10, 2004**

**Related U.S. Application Data**

(62) Division of application No. 29/165,920, filed on Aug. 20, 2002.

(51) **LOC (7) Cl.** ..... **08-06**

(52) **U.S. Cl.** ..... **D8/323**

(58) **Field of Search** ..... D8/323, 324, 325, D8/326, 327, 328, 329; 16/50, 221, 234, 254, 286, 385, 386, 387, 389, 390, 391, 392, DIG. 29

(56) **References Cited**

**U.S. PATENT DOCUMENTS**

2,124,969	A	*	7/1938	Bagley et al.	16/387
2,624,067	A		1/1953	Tassell	
2,808,610	A		10/1957	Minor	
3,439,377	A		4/1969	Bucholz	
3,577,584	A		5/1971	Himmelreich	
3,591,247	A		7/1971	Berry	
3,710,416	A		1/1973	Phelps	
5,067,200	A		11/1991	Stowell et al.	
5,103,532	A	*	4/1992	Youngdale et al.	16/288
5,144,721	A		9/1992	Schade	
5,355,559	A		10/1994	Bowers et al.	
5,884,363	A	*	3/1999	Tofts	16/387
D443,196	S	*	6/2001	Sosa	D8/323
6,353,966	B1	*	3/2002	King	16/389
2004/0034966	A1	*	2/2004	Wegman	16/254
2004/0034969	A1	*	2/2004	Wegman	16/389

\* cited by examiner

*Primary Examiner*—Joel Sincavage

*Assistant Examiner*—T. Chase Nelson

(74) *Attorney, Agent, or Firm*—Olson & Hierl, Ltd.

(57) **CLAIM**

The ornamental design for a hinge, as shown and described.

**DESCRIPTION**

FIG. 1 is an environmental perspective view of an inventive design for a hinge showing the hinge in a closed configuration with portions of an illustrative connected cabinet and portions of an illustrative connected cabinet door being illustrated in phantom;

FIG. 2 is an elevational view of the right side of the FIG. 1 design;

FIG. 3 is an elevational view of the left side of the FIG. 1 design;

FIG. 4 is a top plan view of the FIG. 1 design with the illustrative connected cabinet and of the illustrative connected cabinet door being shown in phantom;

FIG. 5 is a front elevational view of the FIG. 1 design;

FIG. 6 is a back elevational view of the FIG. 1 design;

FIG. 7 is an elevational perspective view similar to FIG. 1, but showing the hinge design in an open configuration, with portions of an illustrative connected cabinet and of the illustrative connected cabinet door being shown in phantom;

FIG. 8 is an elevational view of the right side of the design shown in FIG. 7;

FIG. 9 is an elevational view of the left side of the design shown in FIG. 7;

FIG. 10 is a top plan view of the design shown in FIG. 7 with the portions of the illustrative connected cabinet and the illustrative connected cabinet door being shown in phantom;

FIG. 11 is a front elevational view of the design shown in FIG. 7; and,

FIG. 12 is a back elevational view of the design shown in FIG. 7.

The phantom line showing of environmental structure is for illustrative purposes only and forms no part of the claimed design.

**1 Claim, 2 Drawing Sheets**

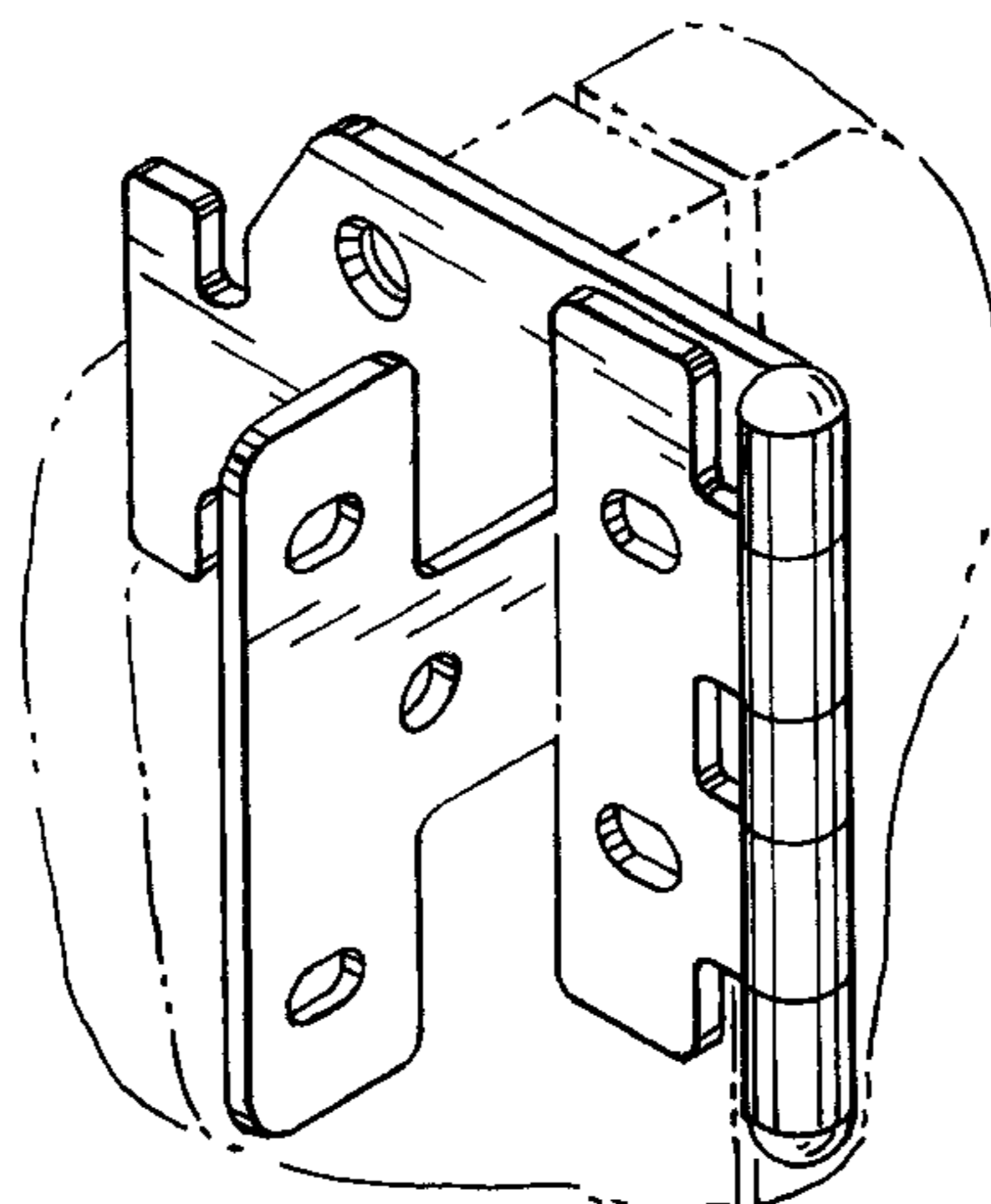


FIG. 1

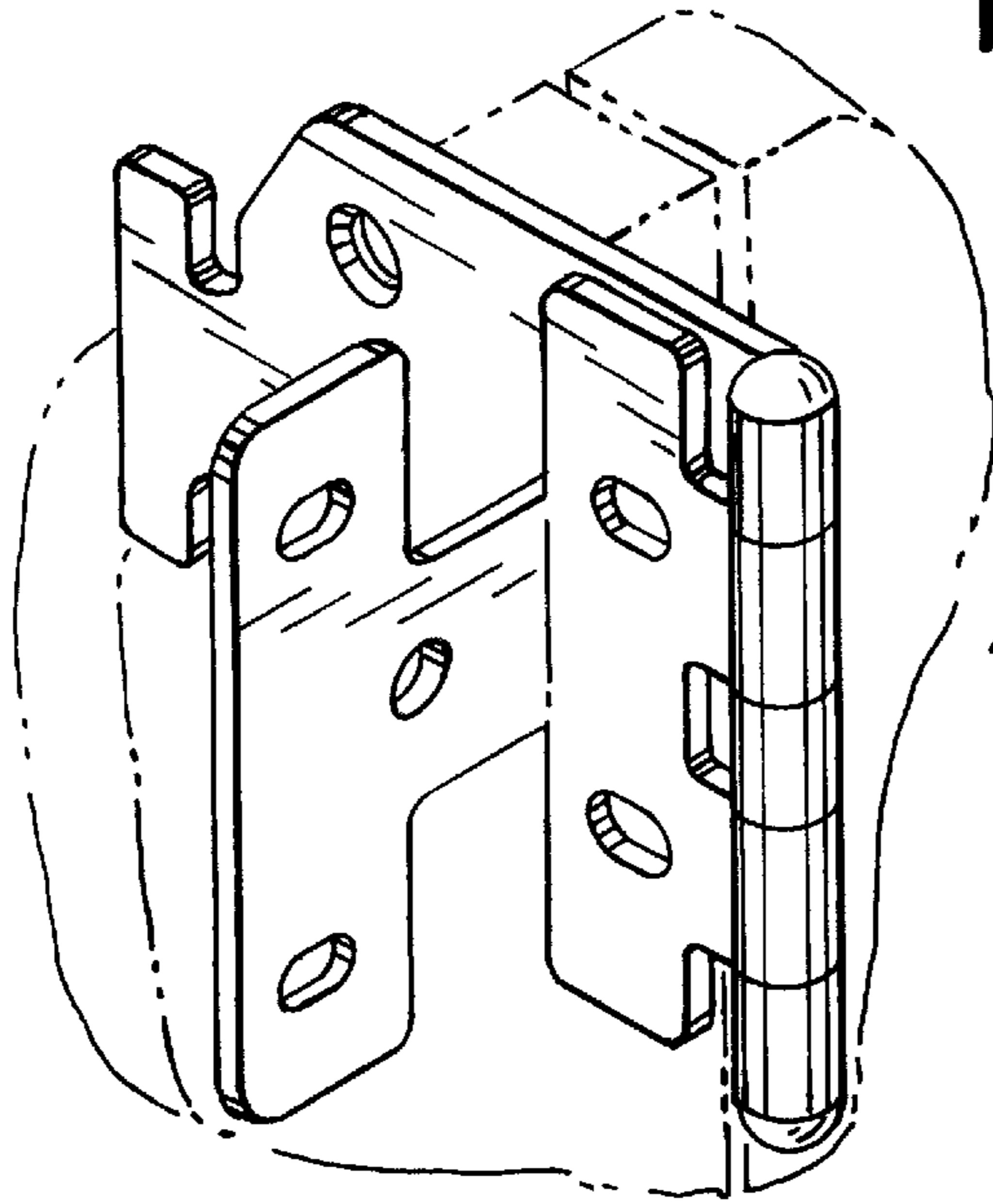


FIG. 4

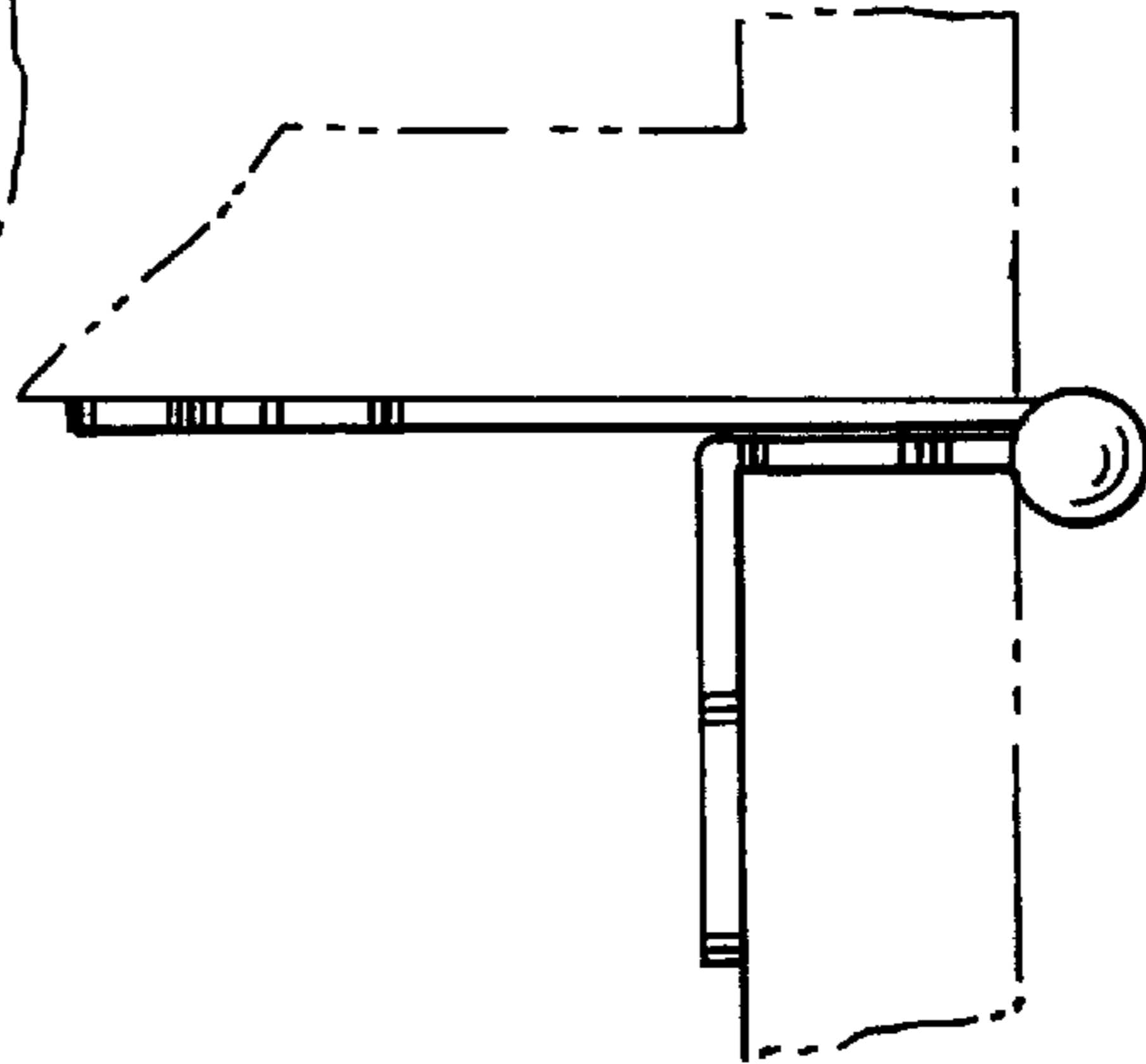


FIG. 2

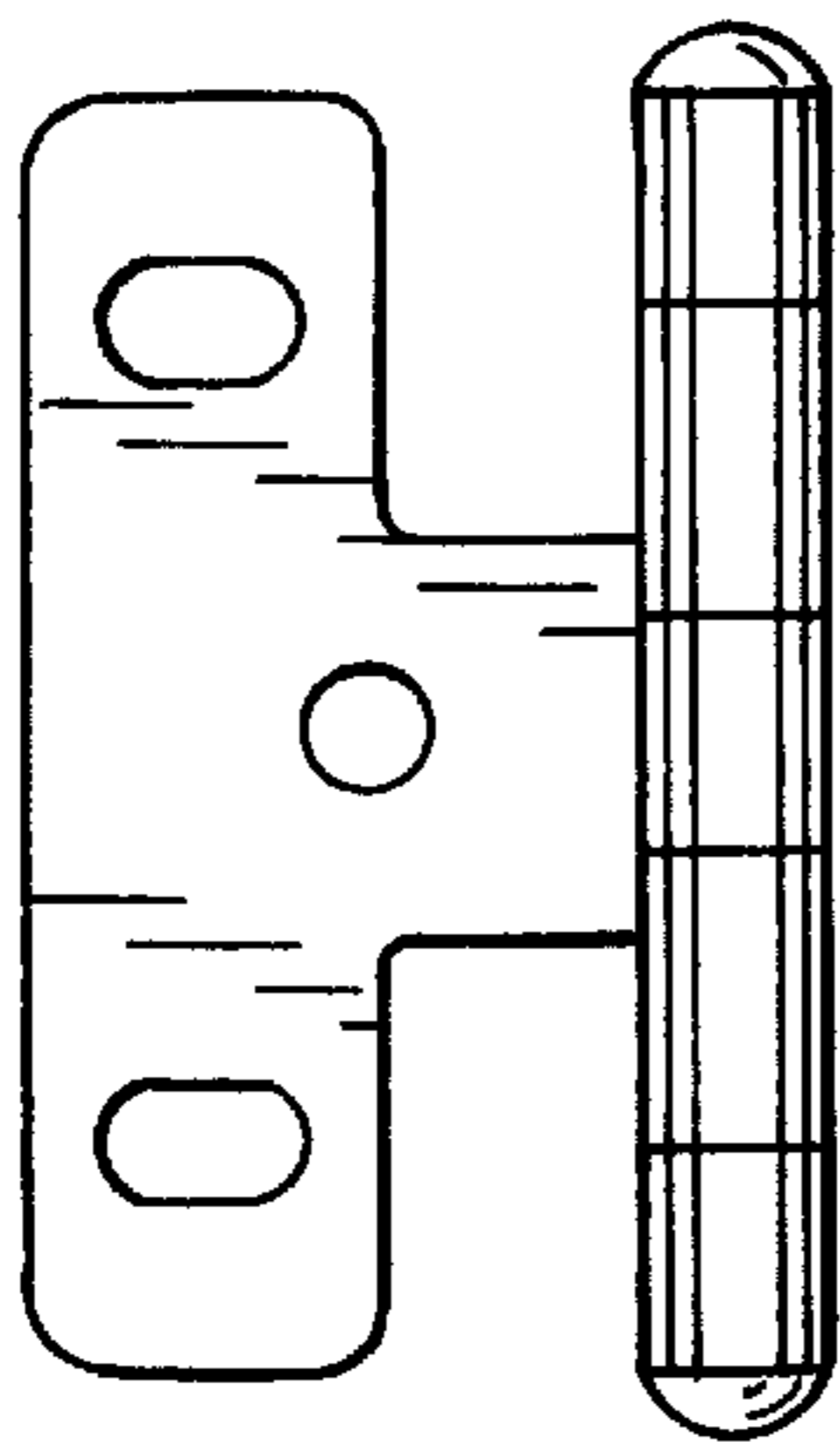


FIG. 3

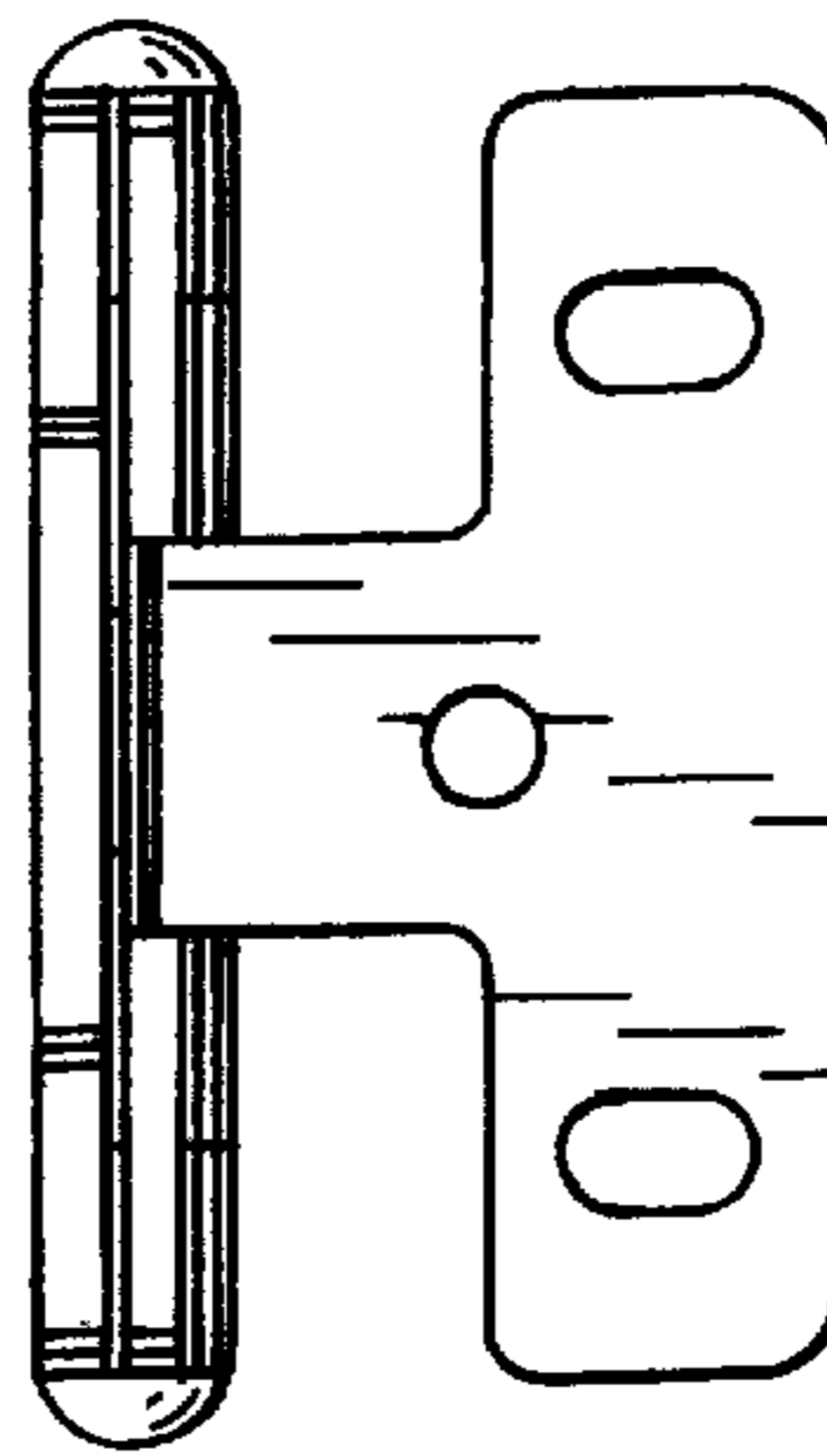


FIG. 5

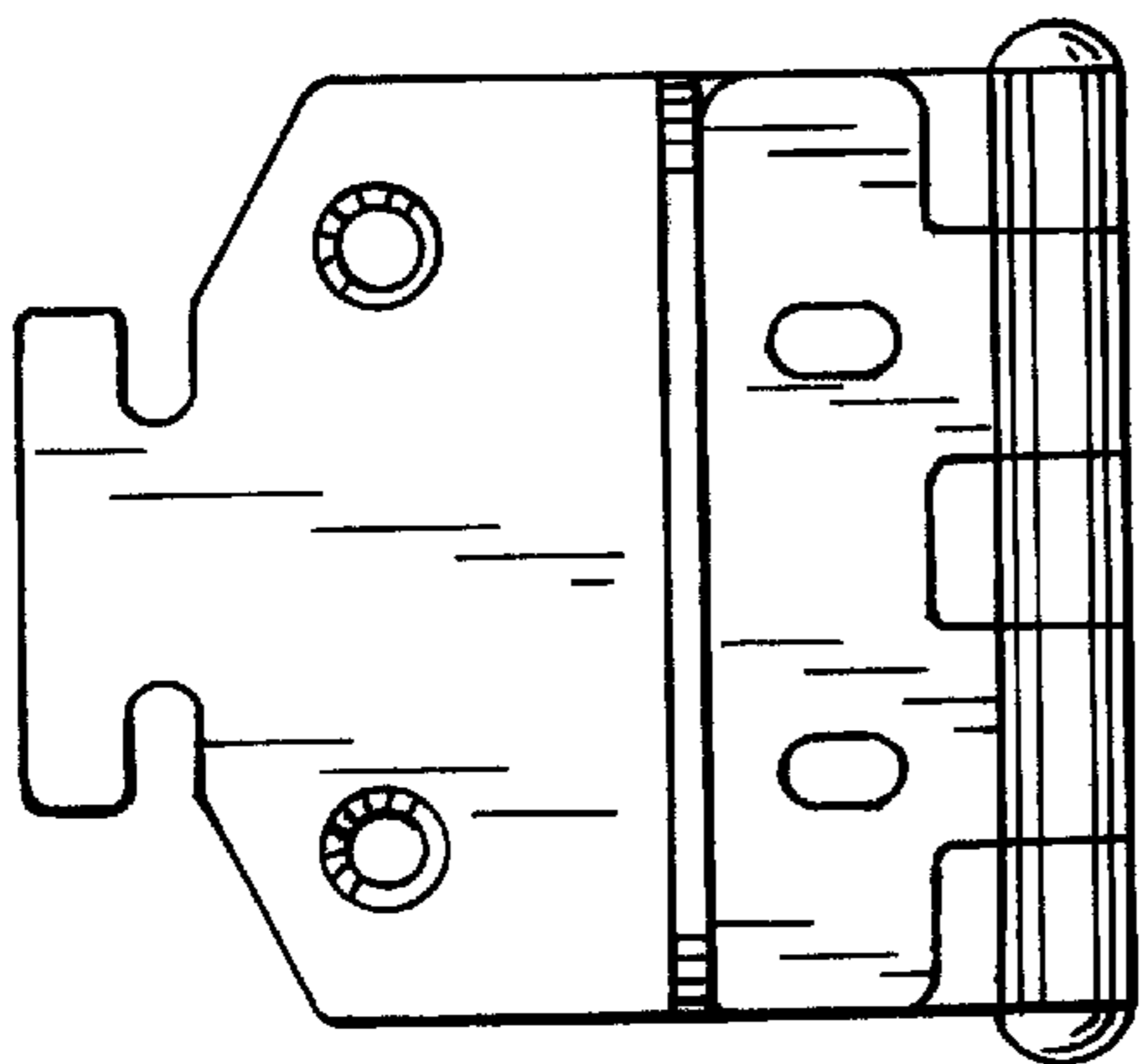


FIG. 6

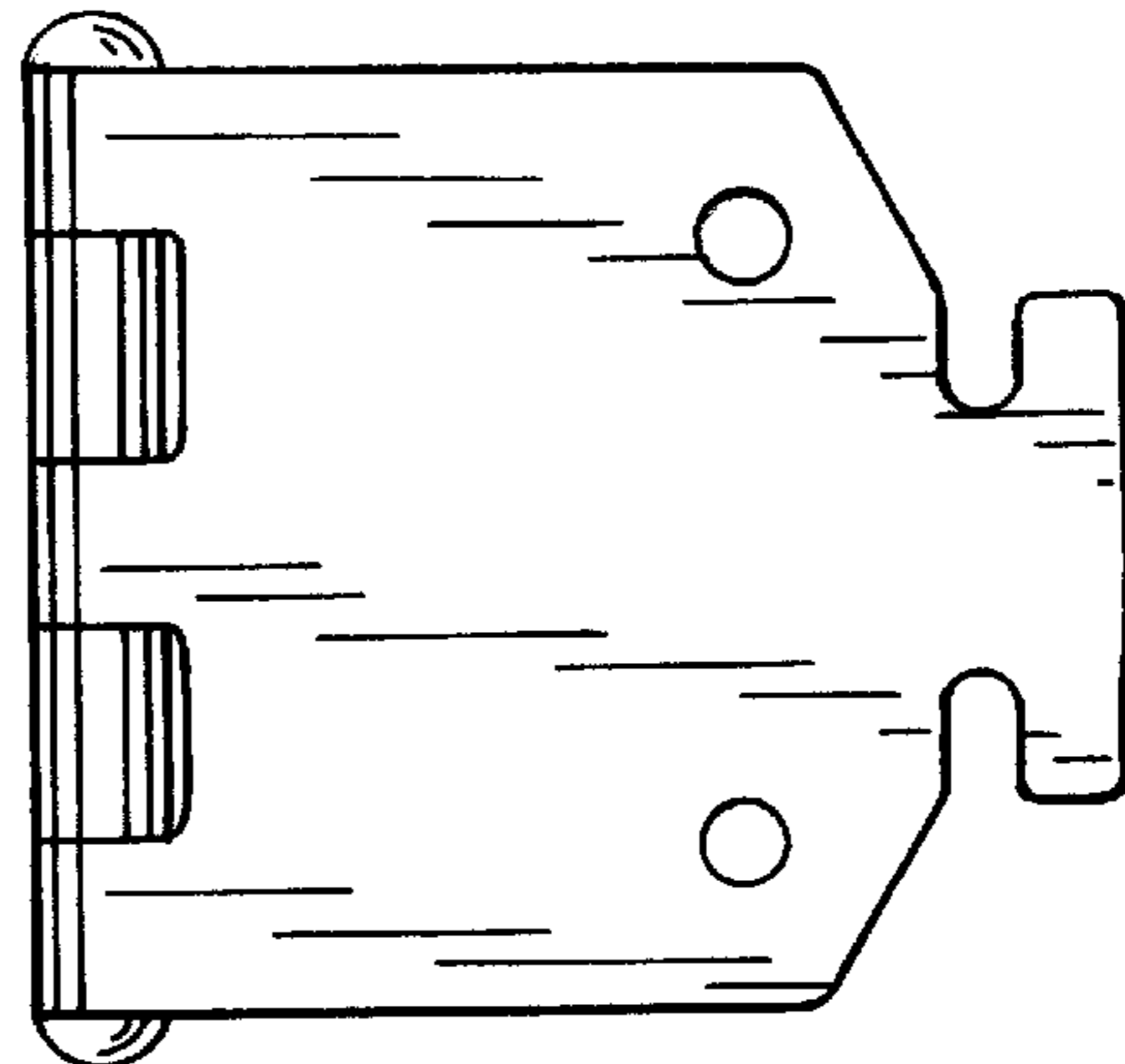


FIG. 7

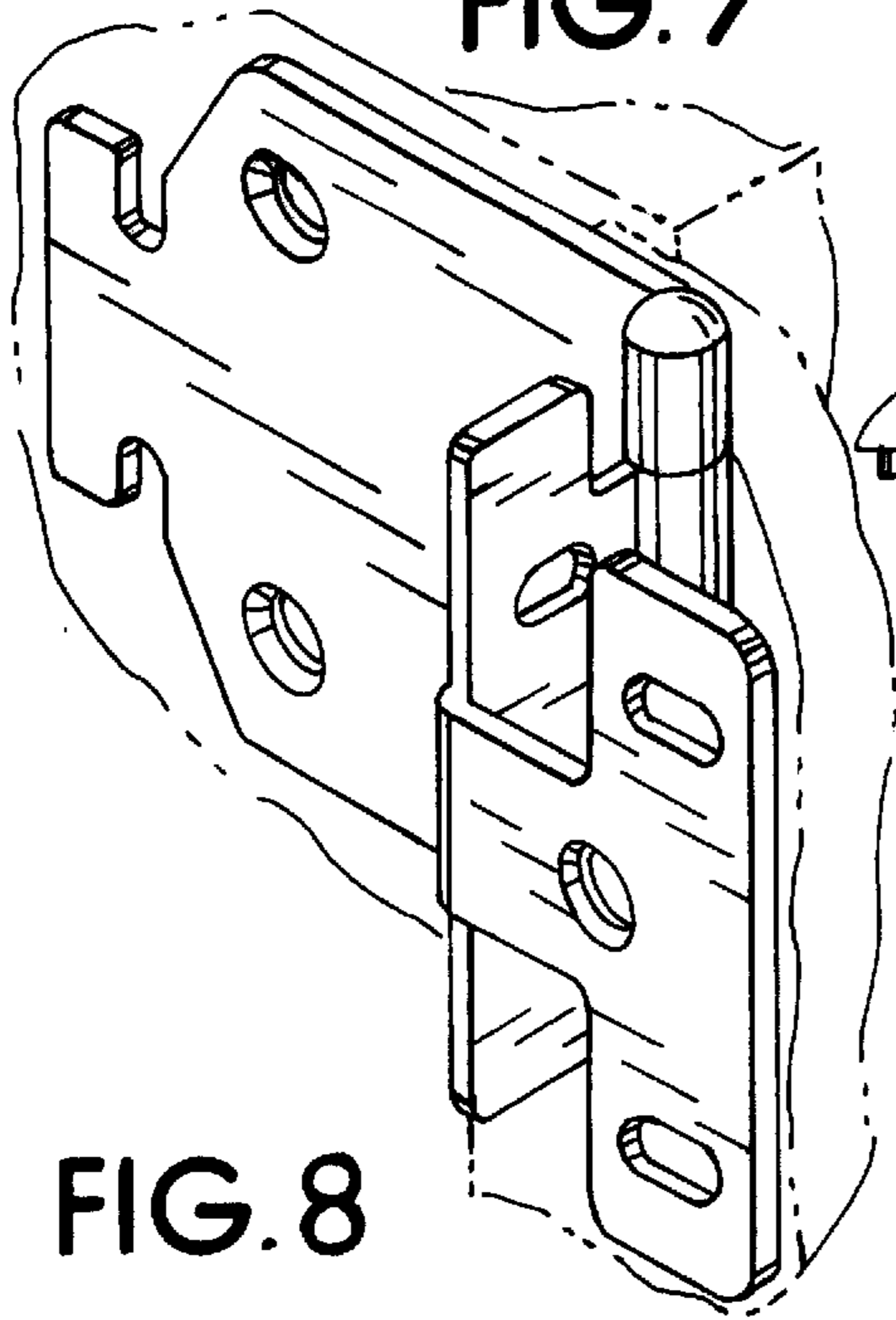


FIG. 10

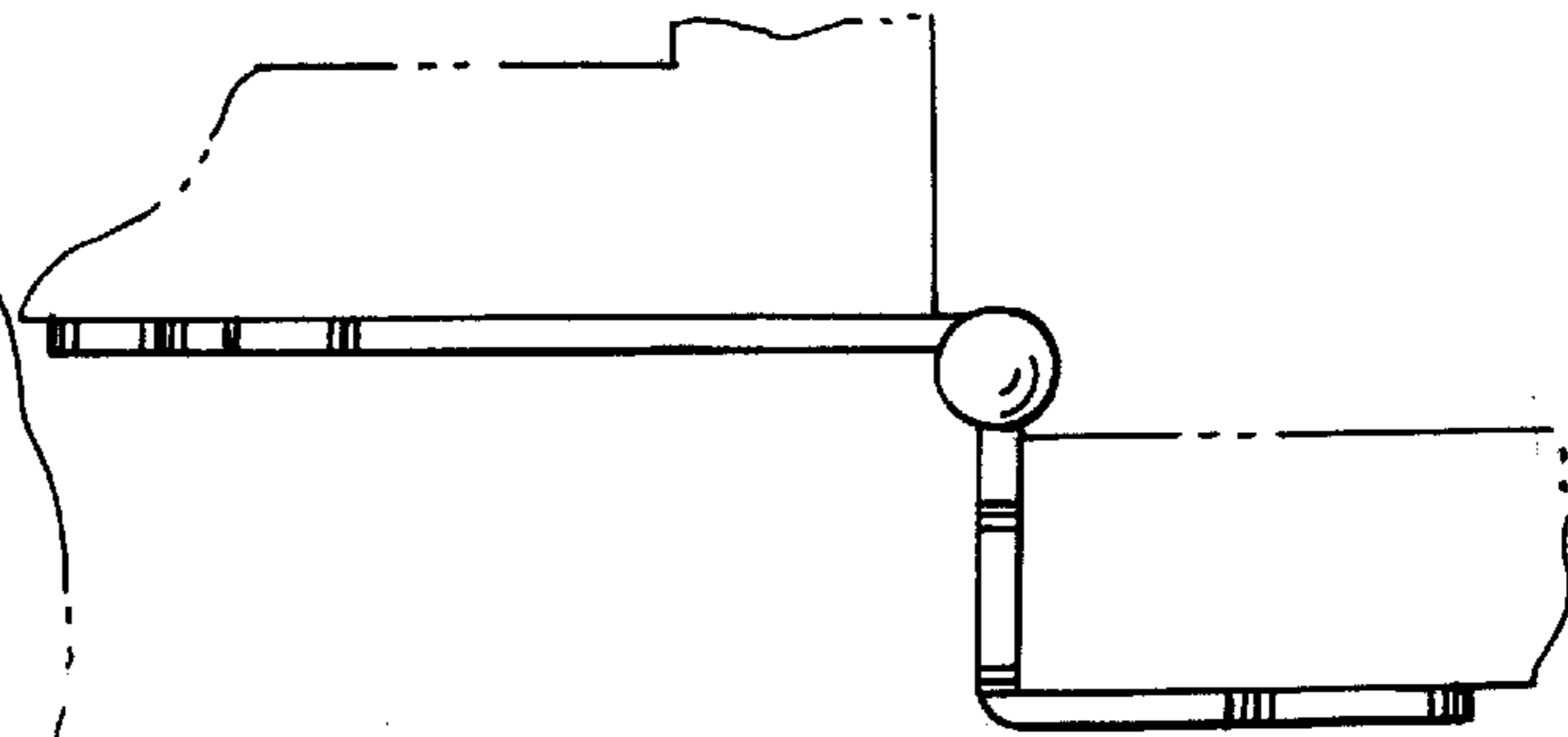


FIG. 8

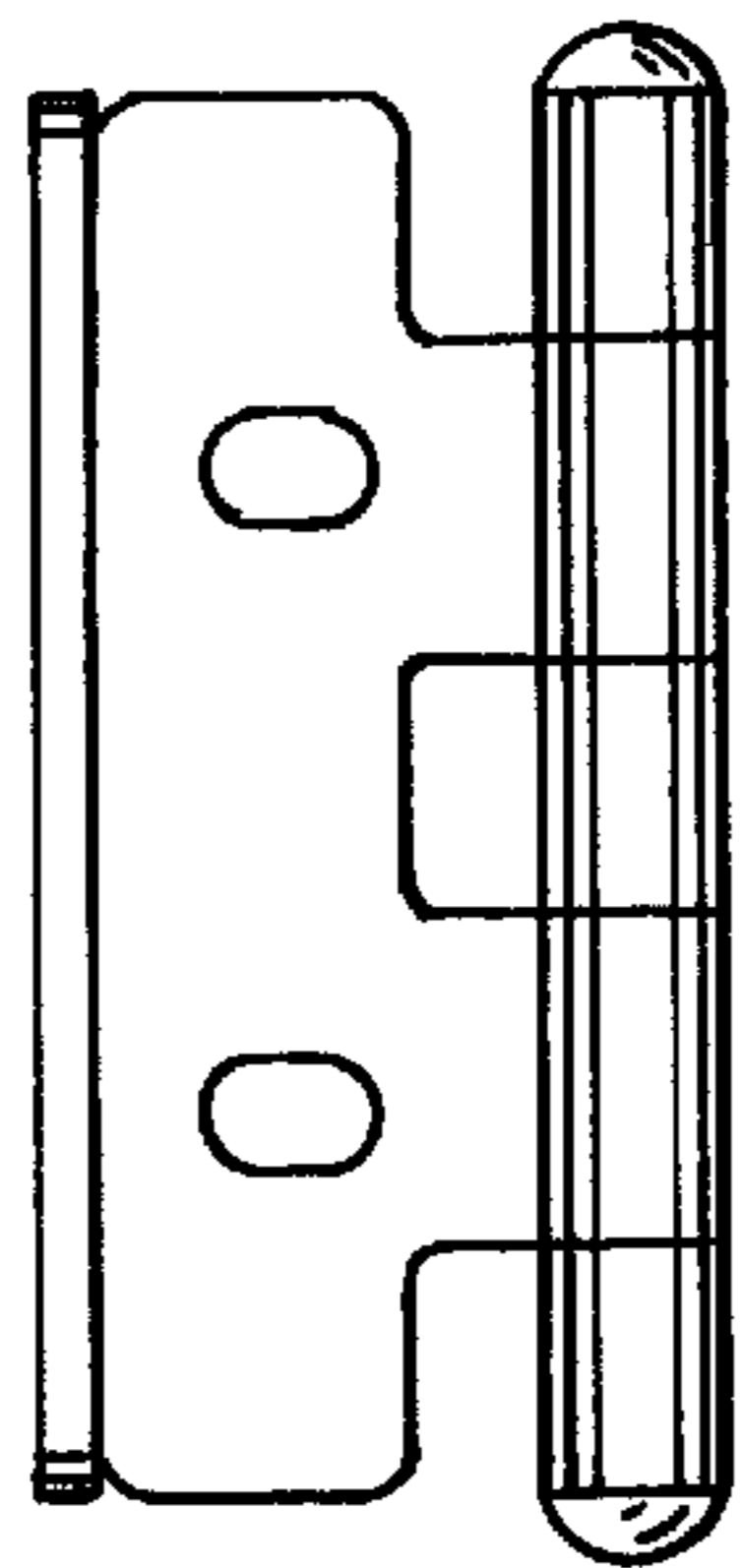


FIG. 11

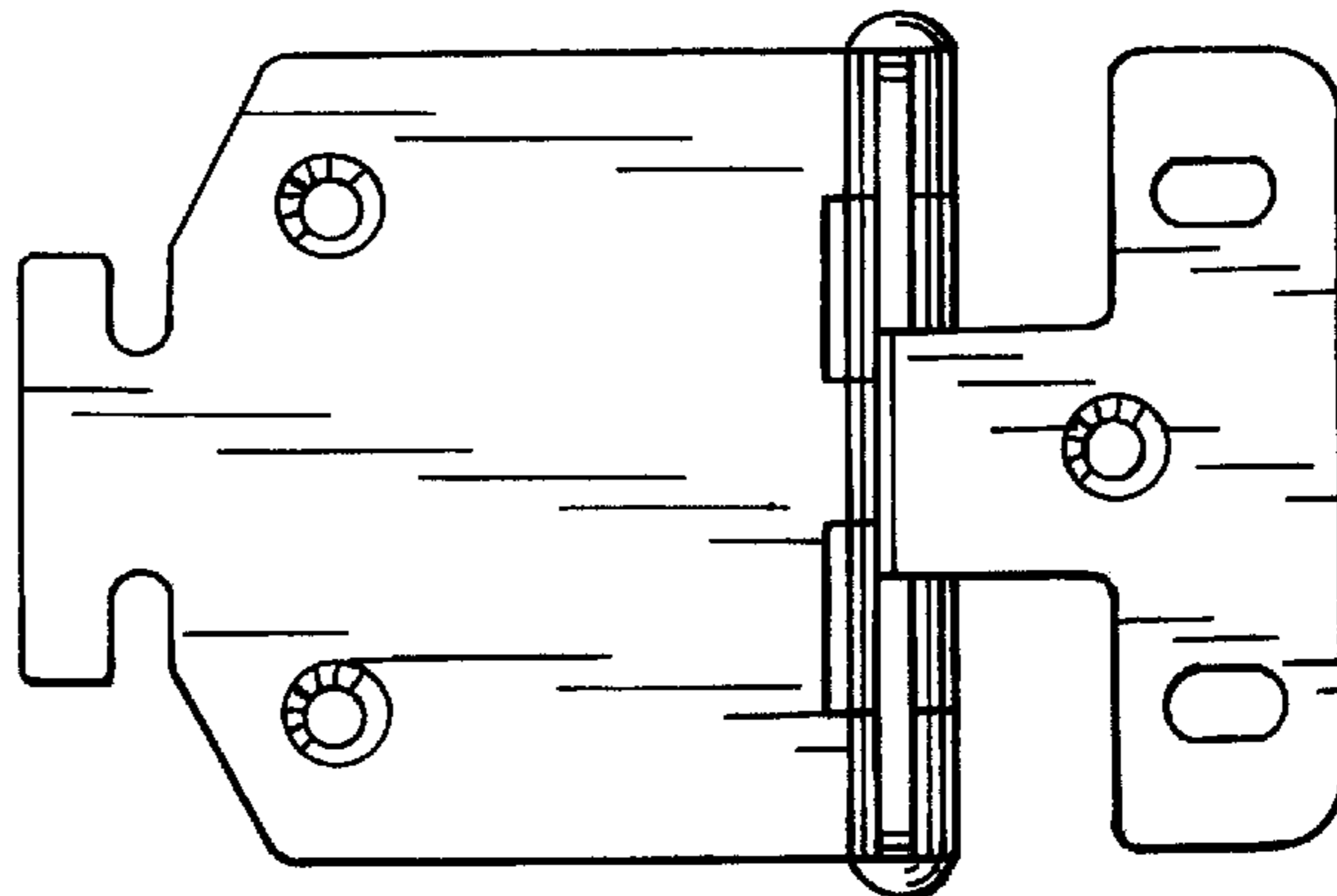


FIG. 9

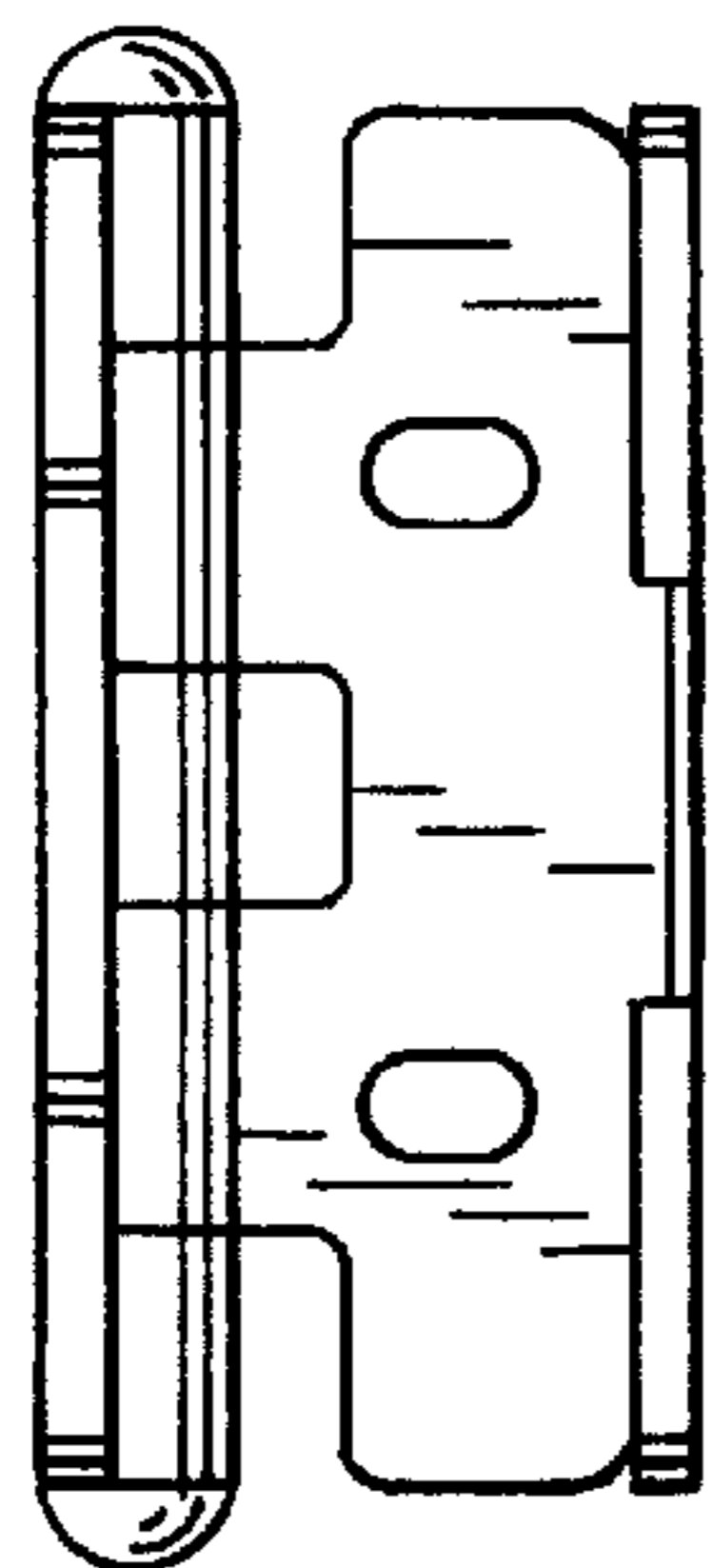


FIG. 12

