



US00D497530S1

(12) **United States Design Patent**  
**Wu**

(10) **Patent No.:** **US D497,530 S**

(45) **Date of Patent:** **\*\* Oct. 26, 2004**

(54) **AUXILIARY HANDLE WITH LASER LEVEL**

(75) **Inventor:** **Shuming Wu, Nanjing (CN)**

(73) **Assignee:** **Chervon International Trading Co., Ltd., Jiangsu (CN)**

(\*\*) **Term:** **14 Years**

(21) **Appl. No.:** **29/193,694**

(22) **Filed:** **Nov. 12, 2003**

(30) **Foreign Application Priority Data**

Jun. 13, 2003 (CN) ..... 03 3 17052

(51) **LOC (7) Cl.** ..... **08-01**

(52) **U.S. Cl.** ..... **D8/70; D8/107; D10/69**

(58) **Field of Search** ..... **D10/69; D8/68, D8/70, 107, 81, 87; 7/164; 81/177.1, 177.2; 356/247-250, 138; 33/286, 285, 290-292, 379-383, 348, 348.2**

(56) **References Cited**

**U.S. PATENT DOCUMENTS**

- 1,714,827 A \* 5/1929 Torka et al. .... 356/249
- 3,132,548 A \* 5/1964 Zimmerman ..... 81/483
- 3,816,864 A \* 6/1974 Cotter ..... 7/164
- 4,276,675 A \* 7/1981 Pioch ..... 16/426
- 4,381,579 A \* 5/1983 Rumpp ..... 16/436

- D308,810 S \* 6/1990 Murawski ..... D8/87
- D320,918 S \* 10/1991 Mochida ..... D8/68
- D337,712 S \* 7/1993 Cavedo ..... D8/70
- D431,766 S \* 10/2000 Zurwelle ..... D8/67

**OTHER PUBLICATIONS**

Kress Brochure, 1987, front cover, drill with auxillary handle.\*

\* cited by examiner

*Primary Examiner*—Lucy Lieberman

(74) *Attorney, Agent, or Firm*—Welsh & Katz, Ltd.

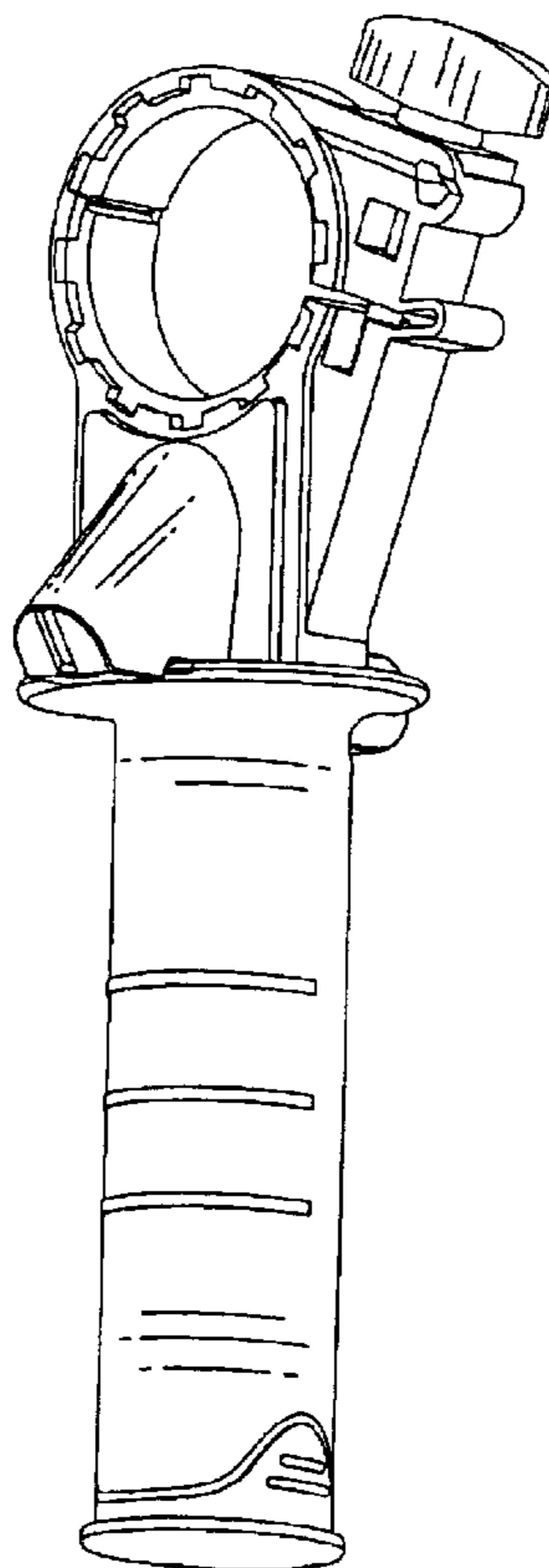
(57) **CLAIM**

The ornamental design for an auxiliary handle with laser level, as shown and described.

**DESCRIPTION**

FIG. 1 is a front view of an auxiliary handle with laser level embodying my new invention;  
 FIG. 2 is a rear view of the auxiliary handle as seen from an oposite side of that shown in FIG. 1;  
 FIG. 3 is a bottom view of the auxiliary handle;  
 FIG. 4 is a top view of the auxiliary handle;  
 FIG. 5 is a right-hand view of the auxiliary handle;  
 FIG. 6 is a left-hand view of the auxiliary handle; and,  
 FIG. 7 is a perspective view of the auxiliary handle.

**1 Claim, 4 Drawing Sheets**



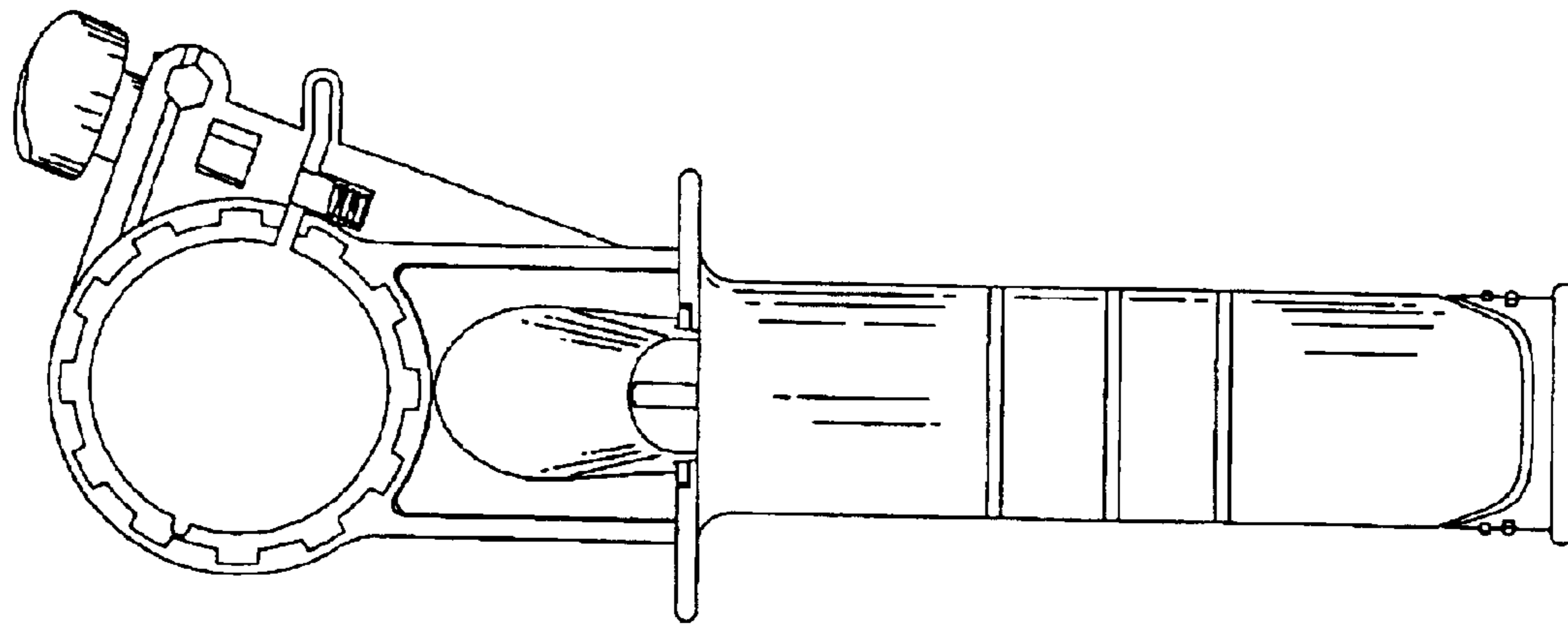


FIG. 1

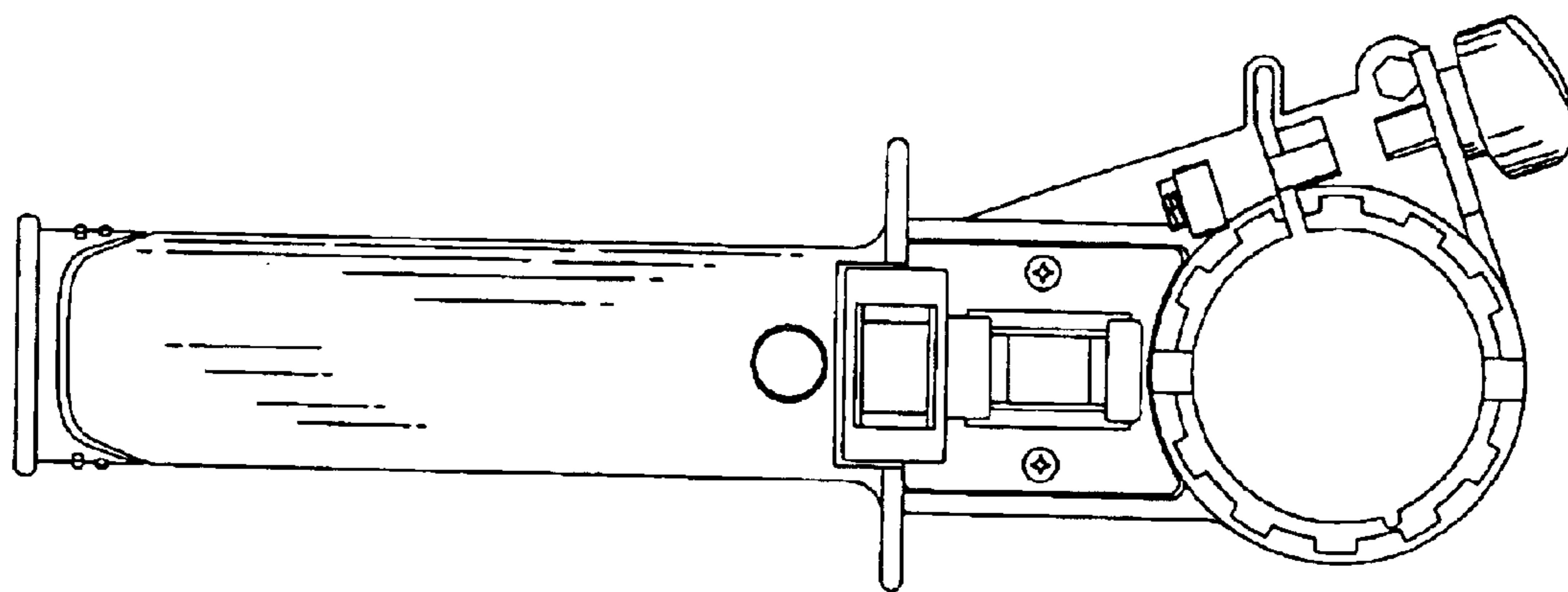


FIG. 2

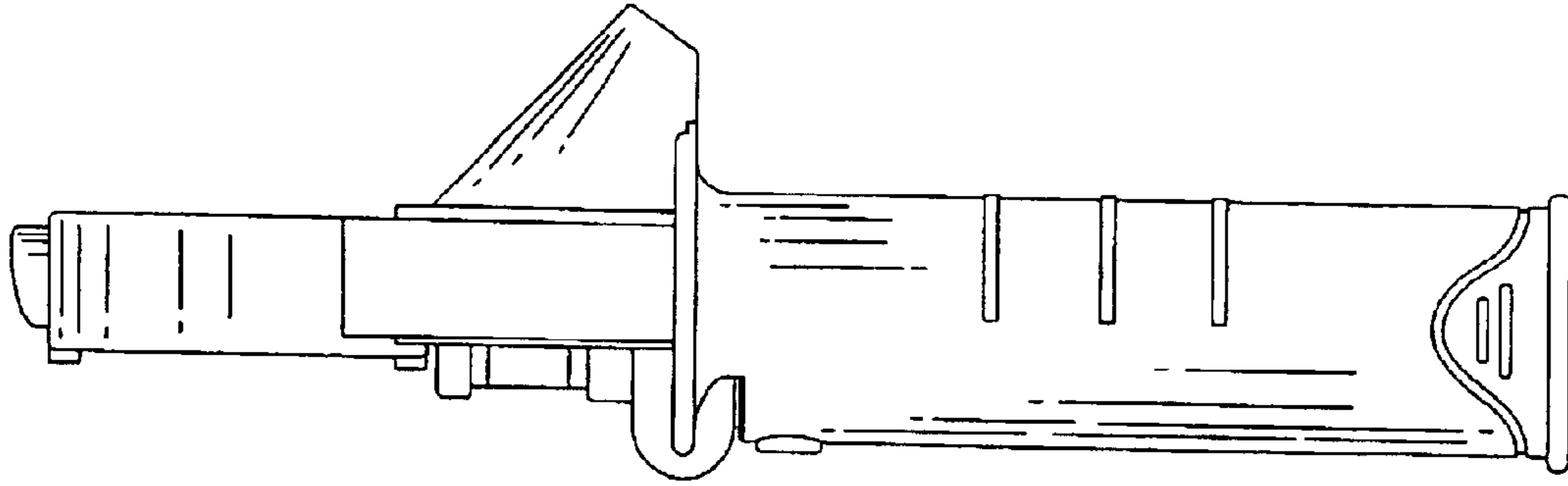


FIG. 3

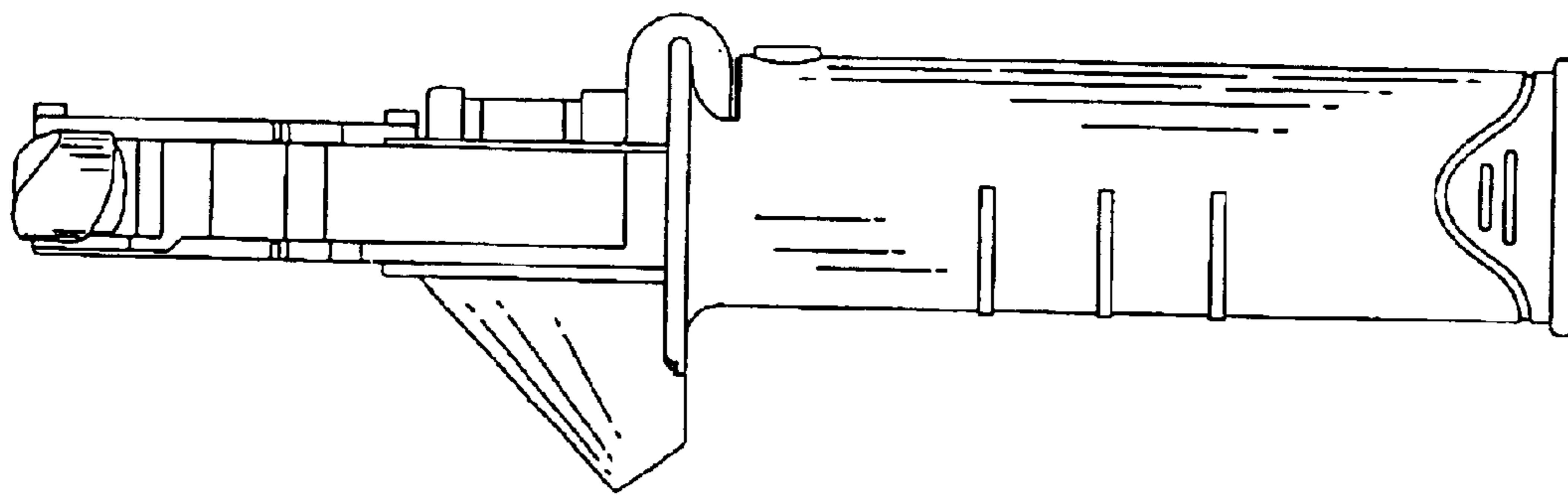


FIG. 4

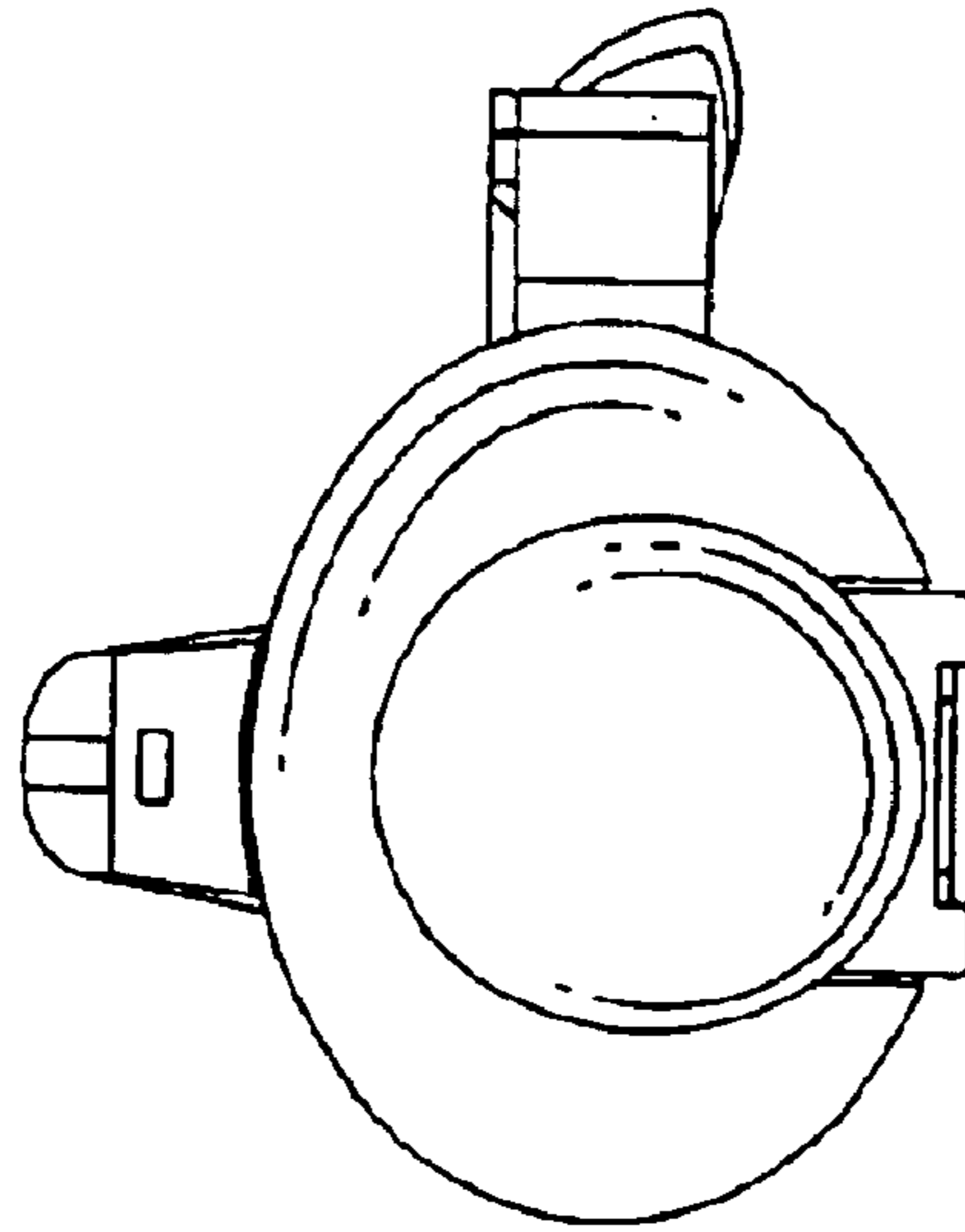


FIG. 5

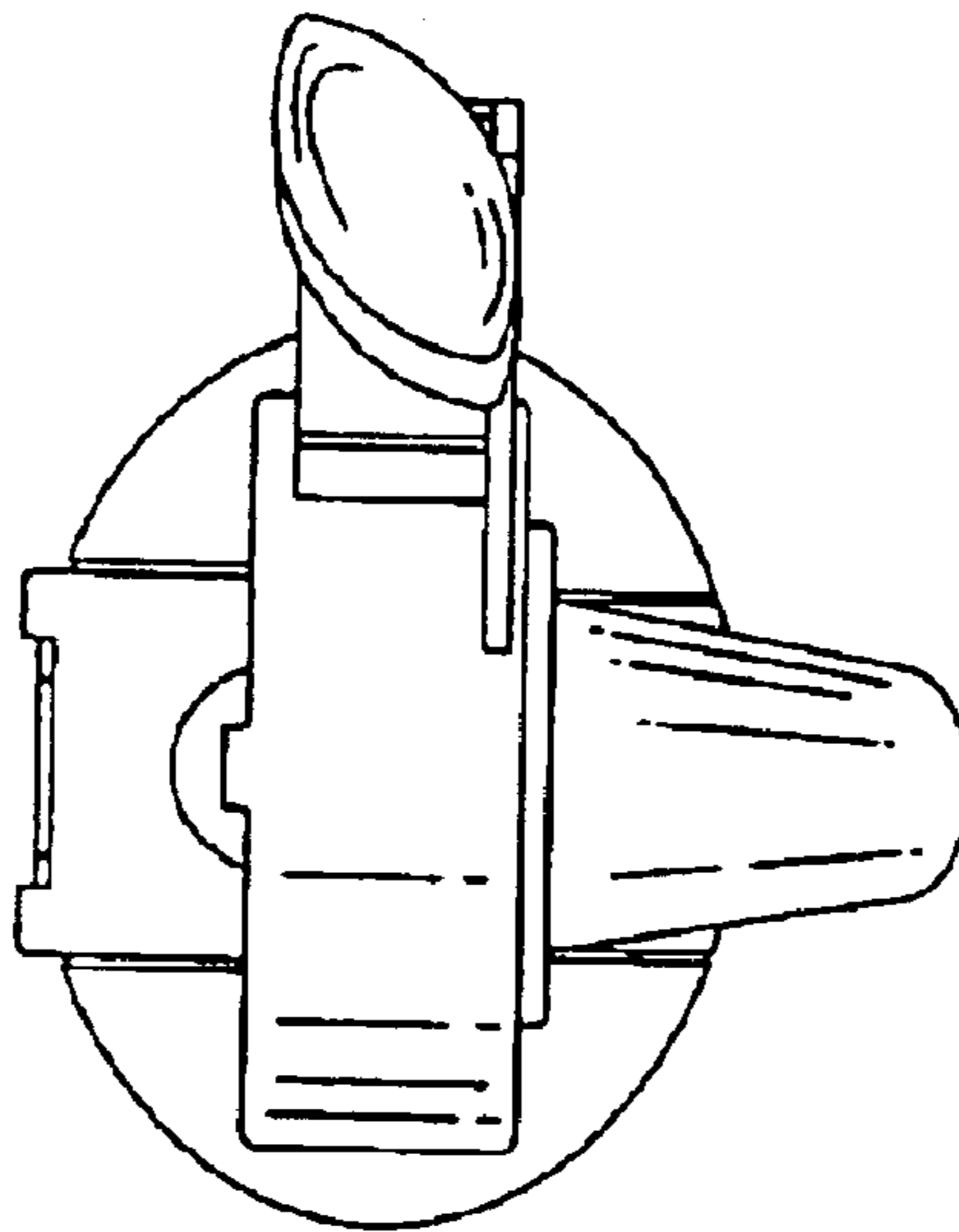


FIG. 6

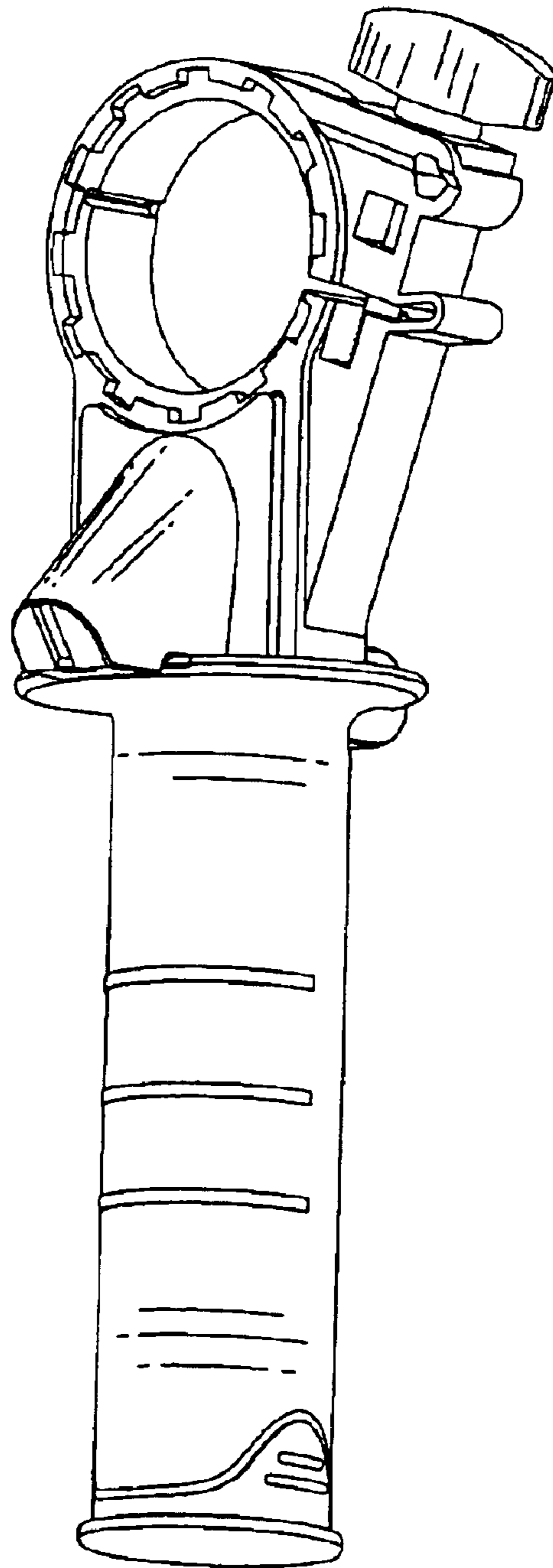


FIG. 7