

US00D497526S1

(12) **United States Design Patent**
Sanders et al.

(10) **Patent No.:** **US D497,526 S**
(45) **Date of Patent:** **** Oct. 26, 2004**

(54) **WINE RACK**

D300,293 S * 3/1989 Casey D7/708
4,998,631 A * 3/1991 Fridjhon 211/74

(75) Inventors: **Julian David Sanders**, Mid Glamorgan
(GB); **Matthew Ian Blofeld**, Cardiff
(GB)

* cited by examiner

(73) Assignee: **Le Creuset S.A.**, Fresnoy-le-Grand
(FR)

Primary Examiner—Terry A. Wallace

(74) *Attorney, Agent, or Firm*—Gary L. Bush; Andrews
Kurth LLP

(**) Term: **14 Years**

(57) **CLAIM**

(21) Appl. No.: **29/187,084**

The ornamental design for a wine rack, as shown and
described.

(22) Filed: **Jul. 28, 2003**

DESCRIPTION

(30) **Foreign Application Priority Data**

Jan. 31, 2003 (GB) 3010561

FIG. 1 is a perspective view of a wine rack according to the
invention;

(51) **LOC (7) Cl.** **06-04**

FIG. 2 is a side view of the wine rack of FIG. 1. The opposite
side is a mirror image thereof;

(52) **U.S. Cl.** **D7/707**

(58) **Field of Search** D7/701, 704, 707,
D7/708; D6/457, 458, 462, 466; 211/13.1,
71.01, 74, 75, 85.31

FIG. 3 is a front view of the wine rack of FIG. 1; The
opposite side is a mirror image thereof;

FIG. 4 is a top view of the wine rack of FIG. 1; and,

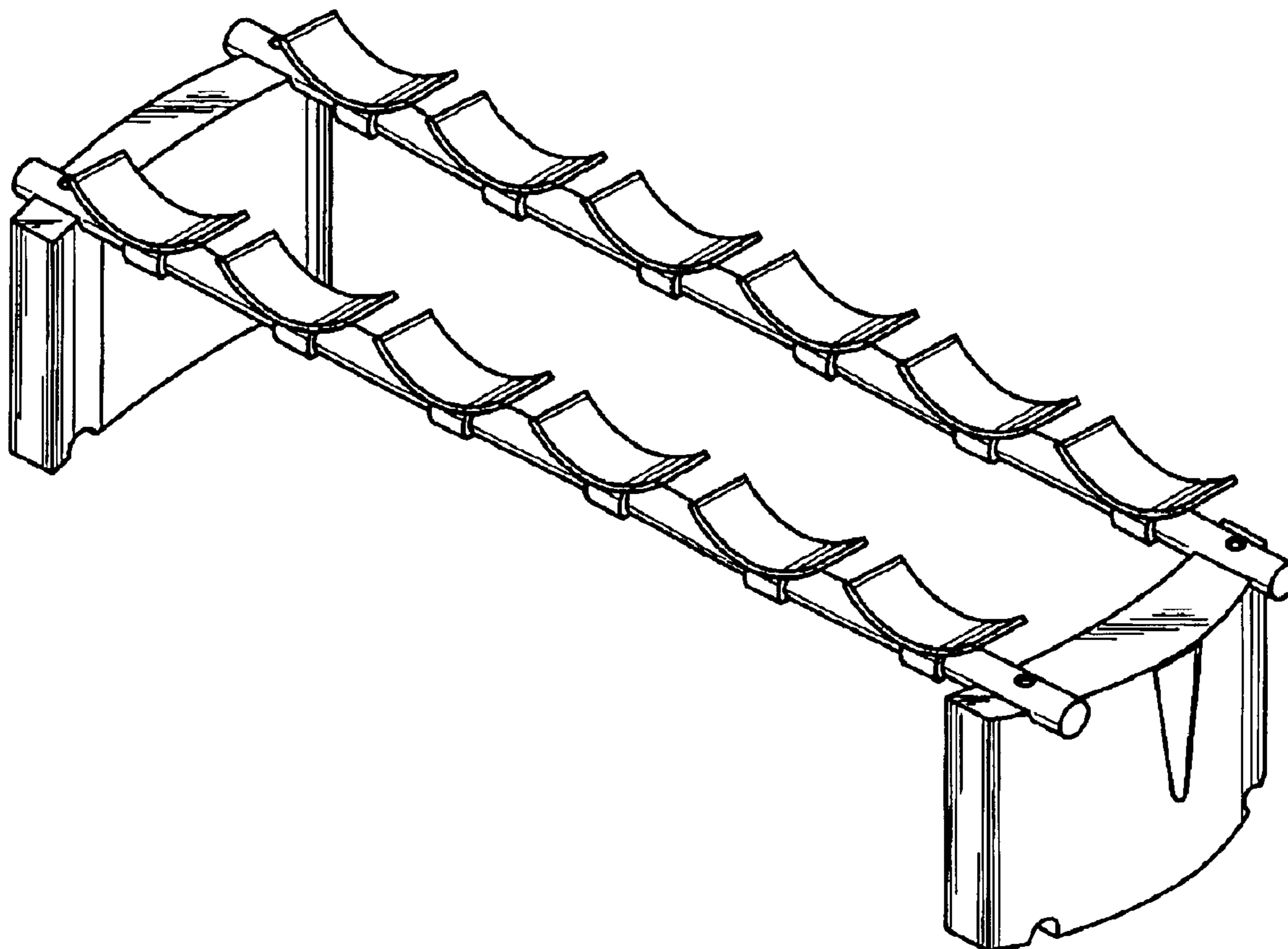
FIG. 5 is a bottom view of the wine rack of FIG. 1.

(56) **References Cited**

U.S. PATENT DOCUMENTS

D300,290 S * 3/1989 Moberg D7/701

1 Claim, 2 Drawing Sheets



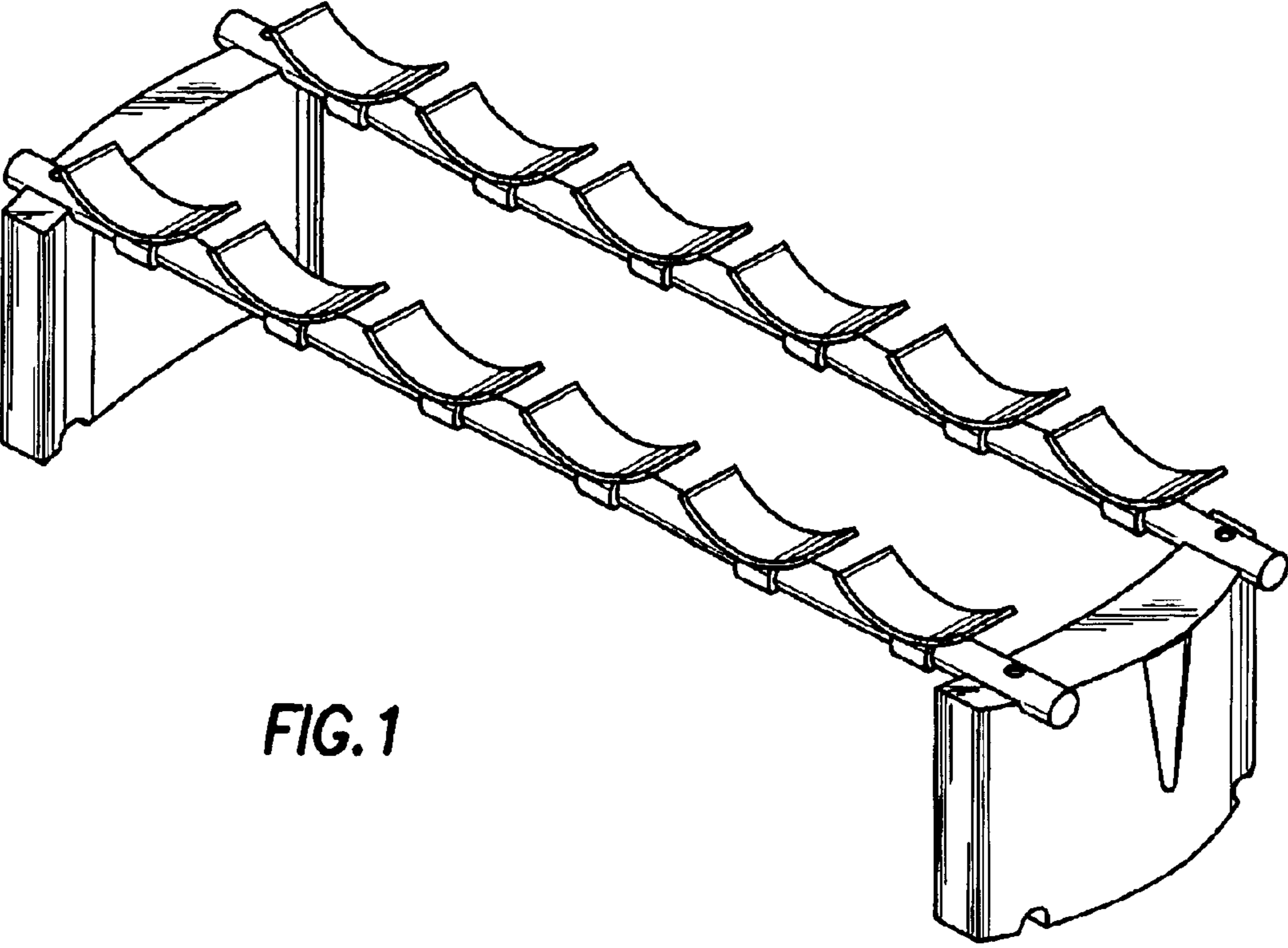


FIG. 1

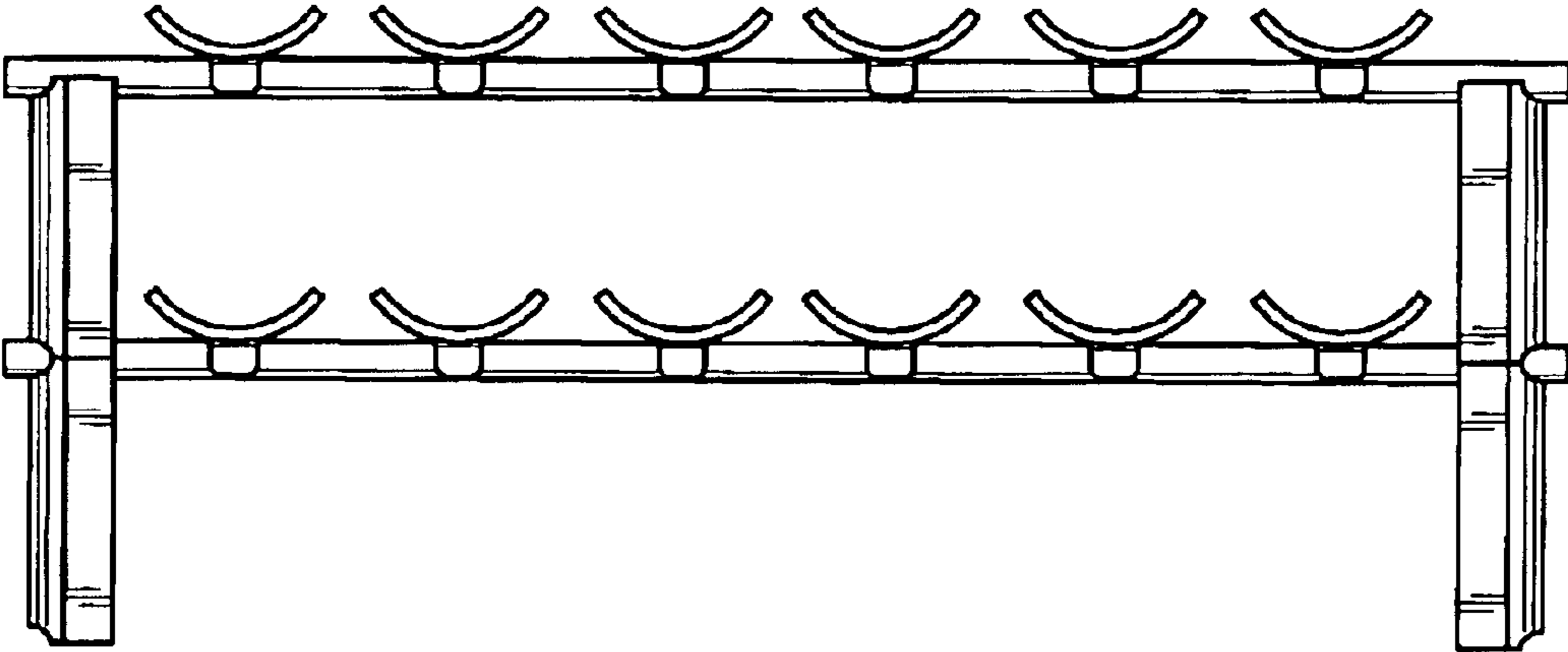


FIG. 2

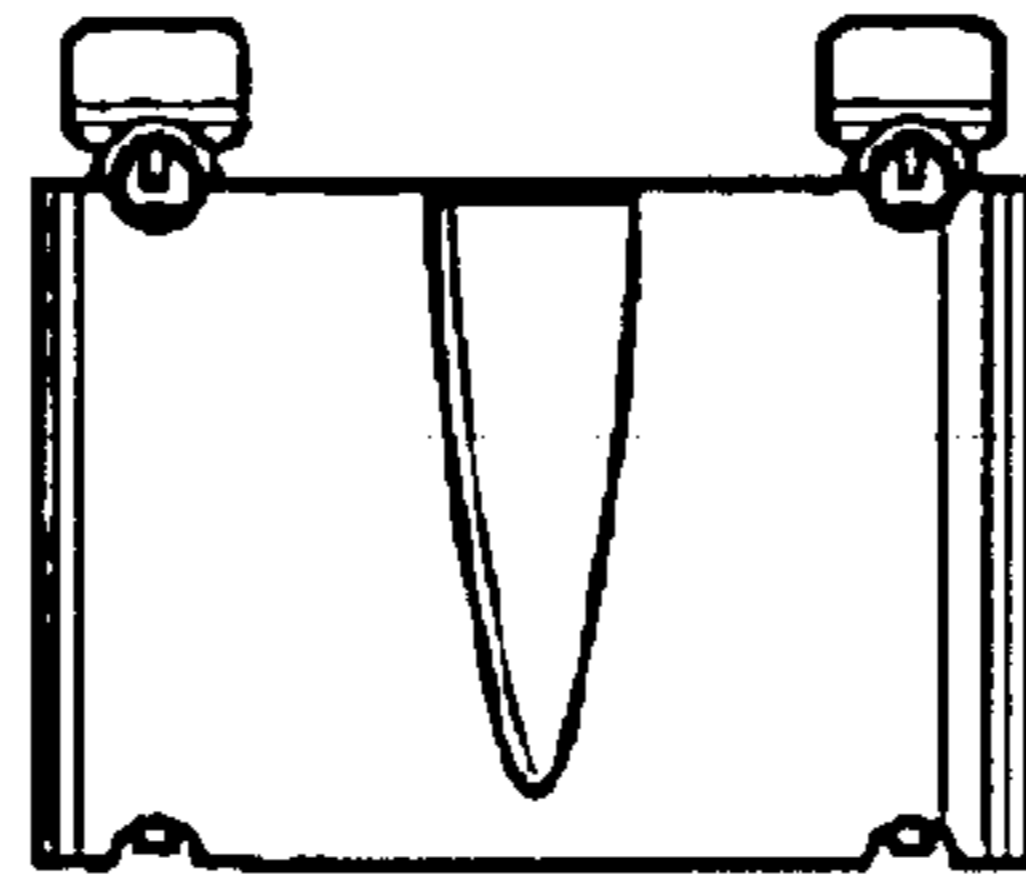


FIG. 3

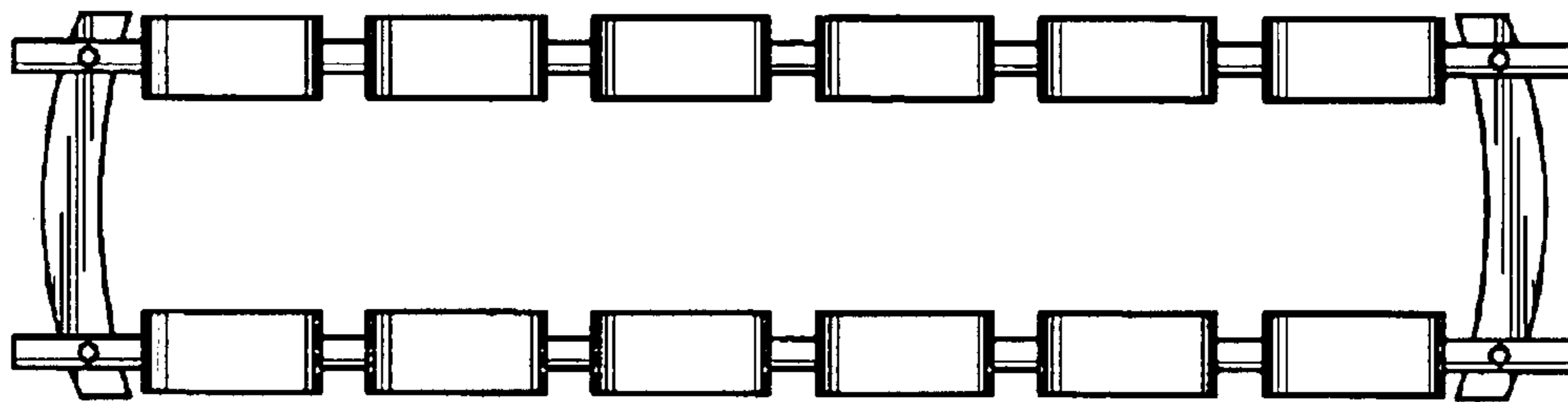


FIG. 4

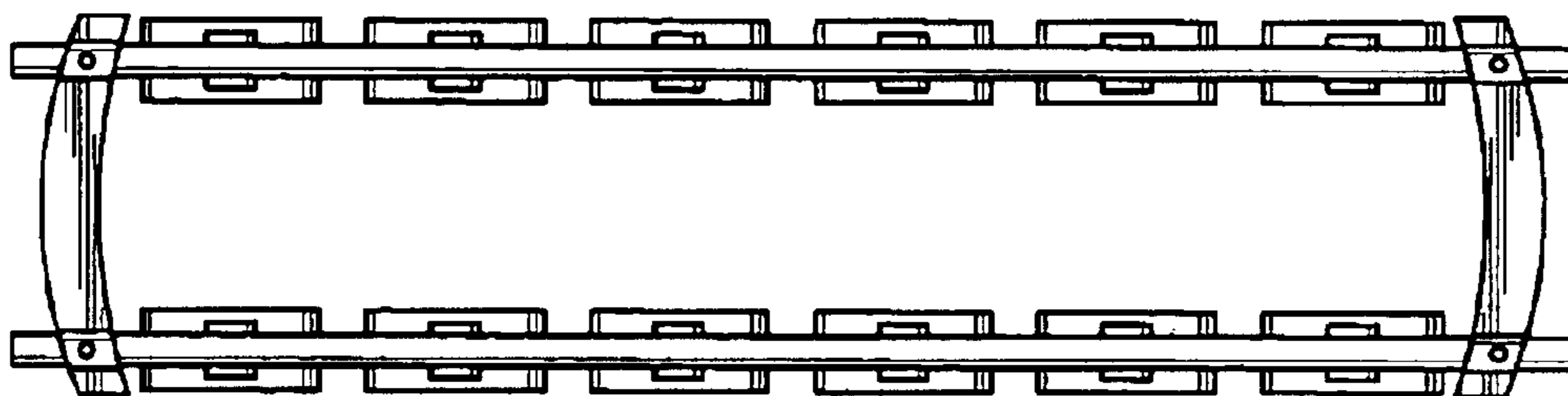


FIG. 5