

US00D497510S1

(12) **United States Design Patent**
Comorera Ivanov

(10) **Patent No.:** **US D497,510 S**
(45) **Date of Patent:** **** Oct. 26, 2004**

(54) **ESPRESSO MACHINE**

D490,265 S * 5/2004 Claassen D7/308

(75) **Inventor:** **Juan Comorera Ivanov, Barcelona (ES)**

* cited by examiner

(73) **Assignee:** **Quality Espresso, S.A., Barcelona (ES)**

Primary Examiner—M. N. Pandozzi

(**) **Term:** **14 Years**

(74) *Attorney, Agent, or Firm*—Black Lowe & Graham PLLC

(21) **Appl. No.:** **29/180,123**

(57) **CLAIM**

(22) **Filed:** **Apr. 18, 2003**

The ornamental design for an espresso machine, as shown and described.

(30) **Foreign Application Priority Data**

DESCRIPTION

Oct. 22, 2002 (ES) 155403

FIG. 1 is a perspective view of an espresso machine showing my new design.

(51) **LOC (7) Cl.** **07-01**

FIG. 2 is a front elevational view thereof.

(52) **U.S. Cl.** **D7/307; D7/308**

FIG. 3 is a rear elevational view thereof.

(58) **Field of Search** D7/300, 305, 306,
D7/307, 308, 311, 309; 222/129.1, 108,
146.6; 141/86, 92; 99/280

FIG. 4 is a top plan view thereof.

FIG. 5 is a side elevational view thereof; the other side being a mirror image thereof.

(56) **References Cited**

FIG. 6 is a perspective view of a second embodiment of the design shown in FIG. 1.

U.S. PATENT DOCUMENTS

FIG. 7 is a front elevational view of the second embodiment of the design.

- D310,002 S * 8/1990 Rossio et al. D7/308
- D313,724 S * 1/1991 Pinon D7/308
- D389,693 S * 1/1998 Hawkins, Jr. et al. D7/308
- D395,975 S * 7/1998 Munoz D7/308
- D407,594 S * 4/1999 Jones et al. D7/307
- D439,788 S * 4/2001 Bettini D7/309
- D448,600 S * 10/2001 Sandor et al. D7/307
- D463,193 S * 9/2002 Sandor et al. D7/307
- D463,945 S * 10/2002 Sandor et al. D7/307
- D476,842 S * 7/2003 Cortese D7/309

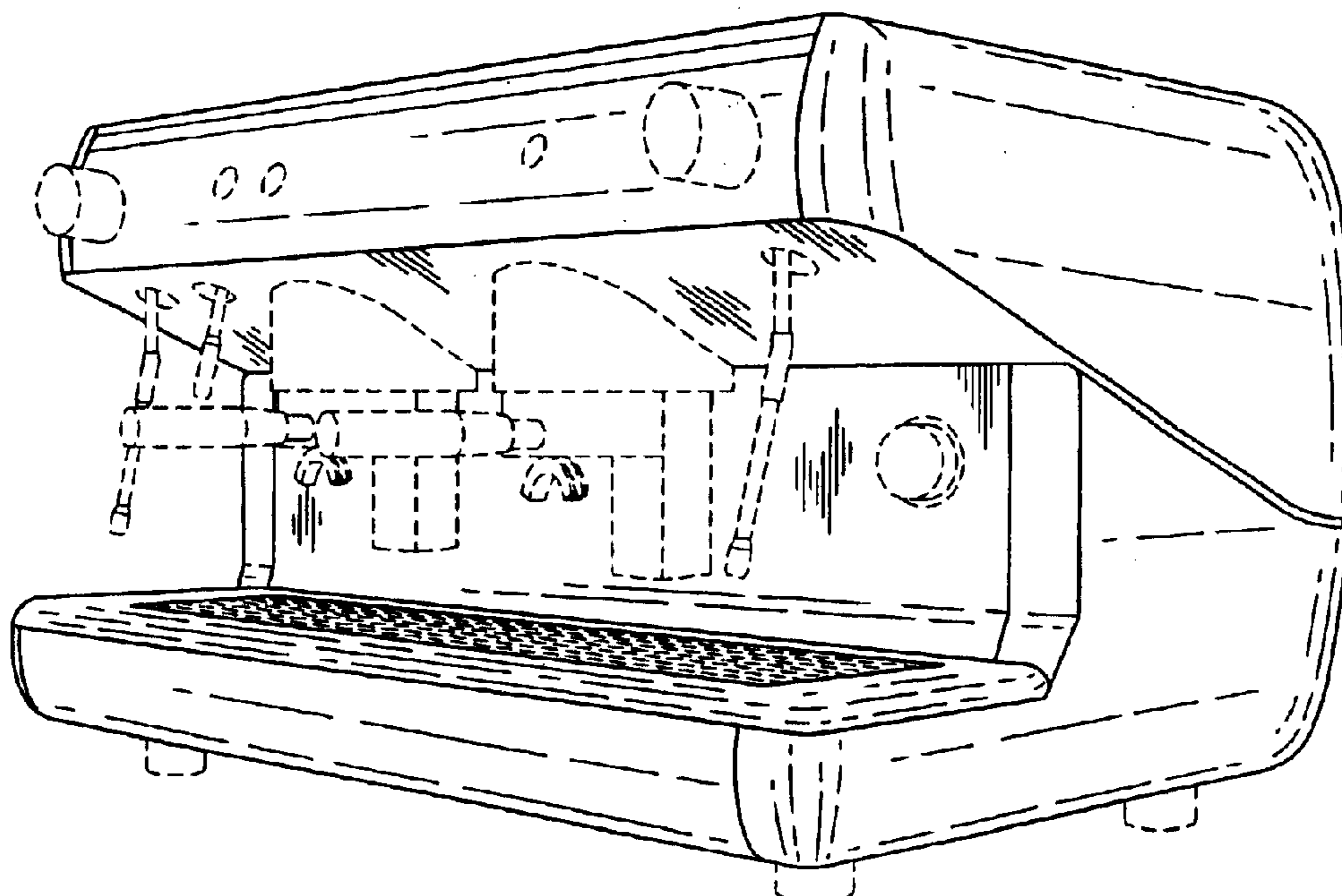
FIG. 8 is a rear elevational view of the second embodiment of the design.

FIG. 9 is a top plan view of the second embodiment of the design; and,

FIG. 10 is a side elevational view of the second embodiment of the design, the other side being a mirror image thereof.

The broken lines in the figures are for illustrative purposes only and form no part of the claimed design.

1 Claim, 6 Drawing Sheets



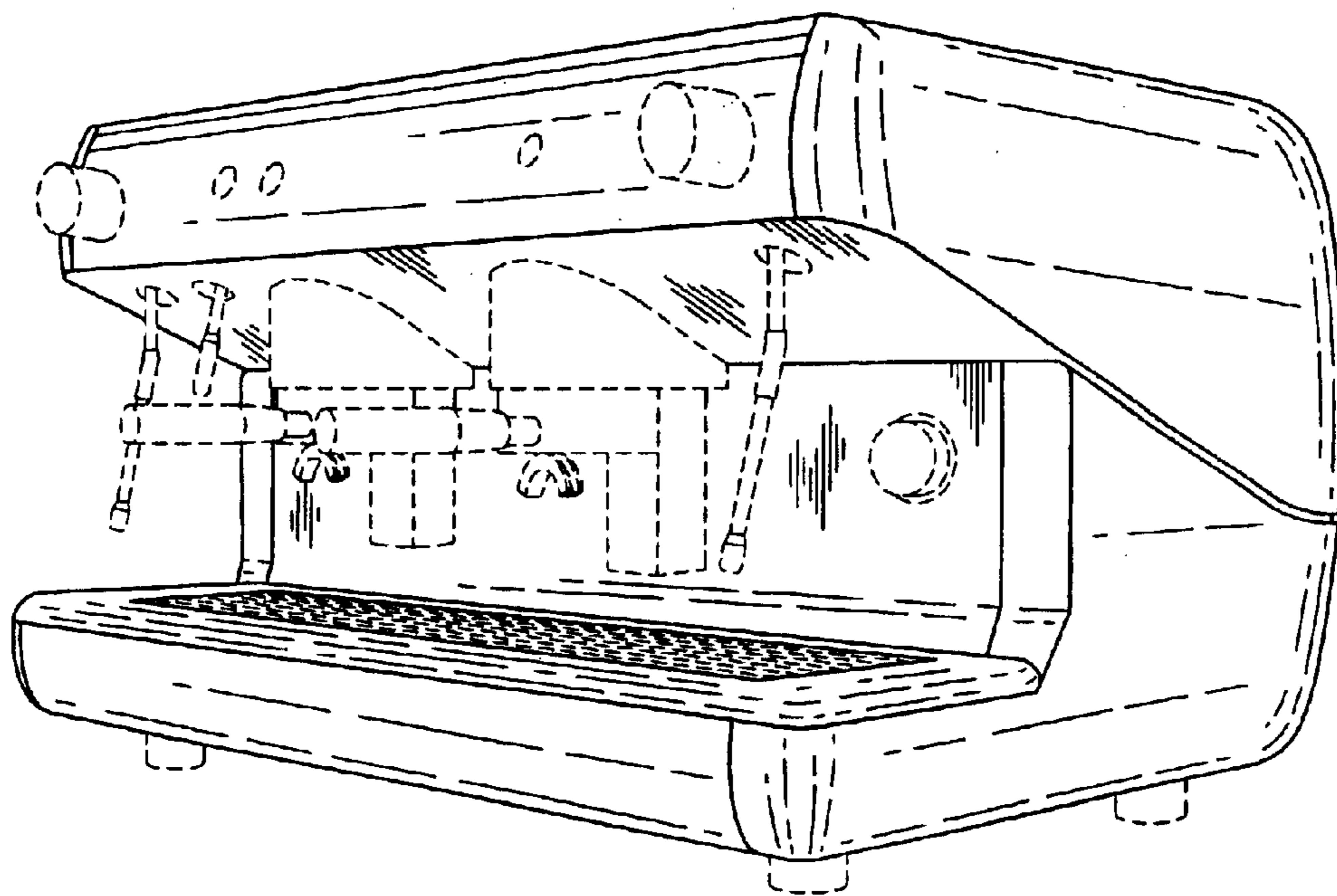


FIG. 1

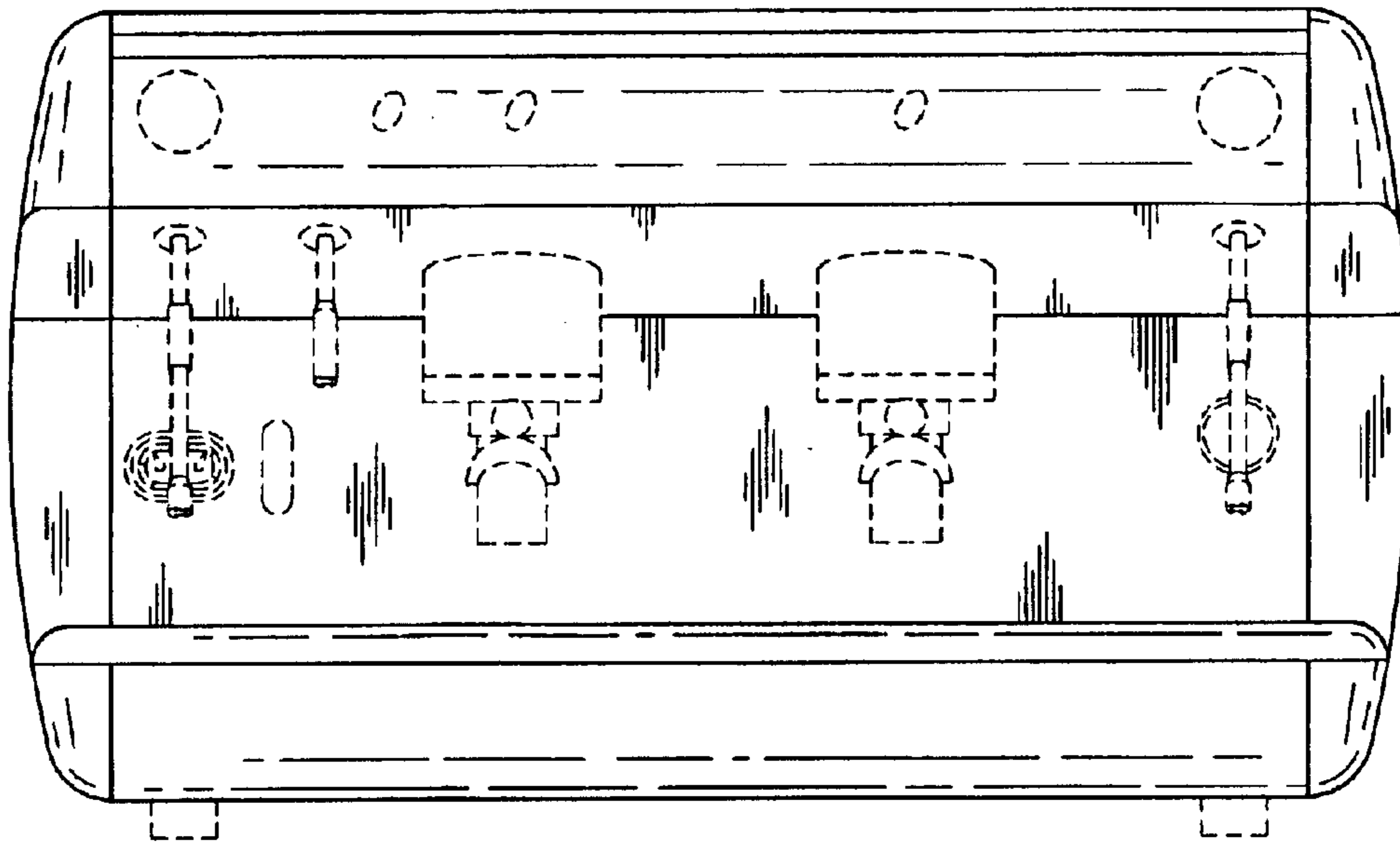


FIG. 2

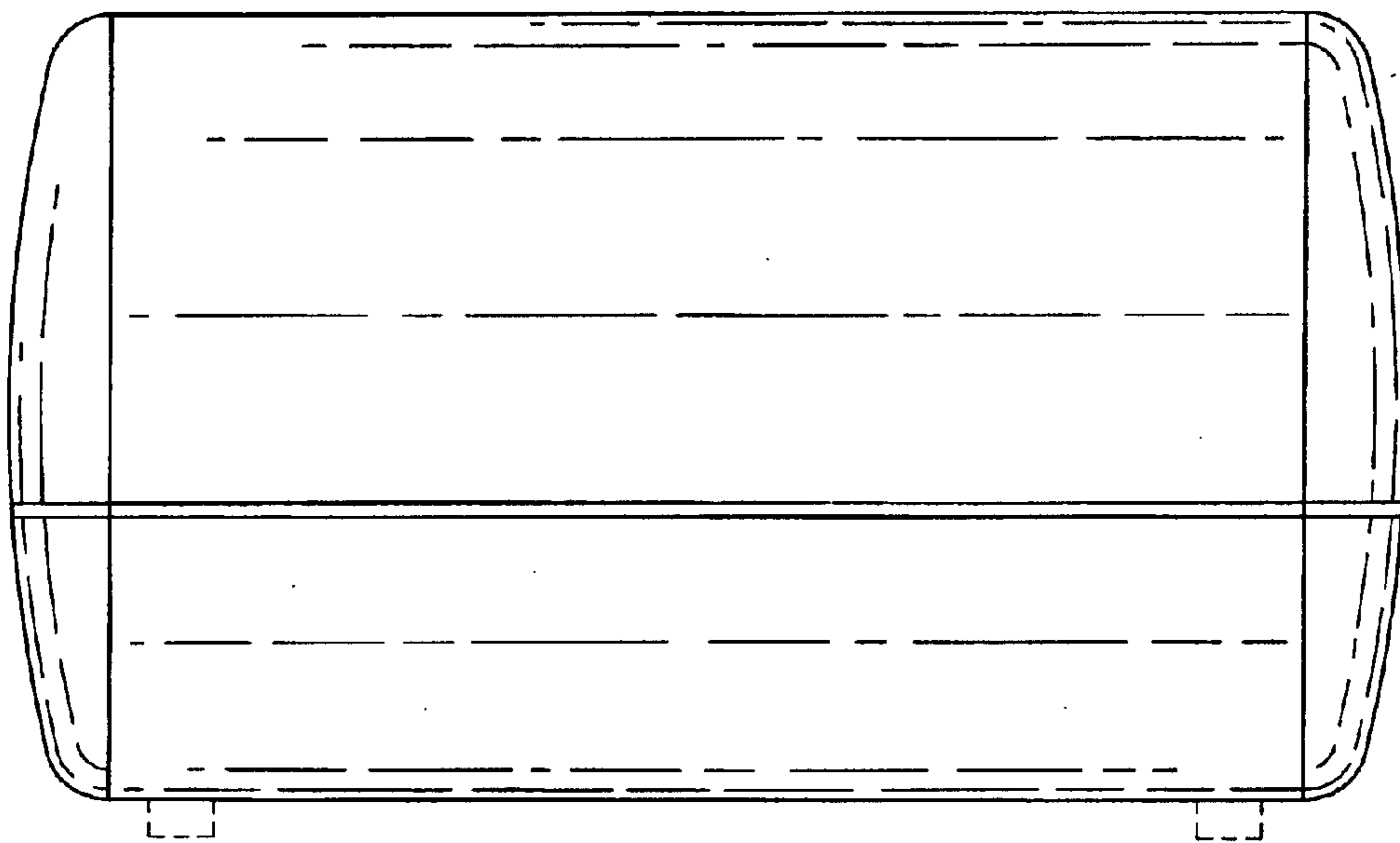


FIG. 3

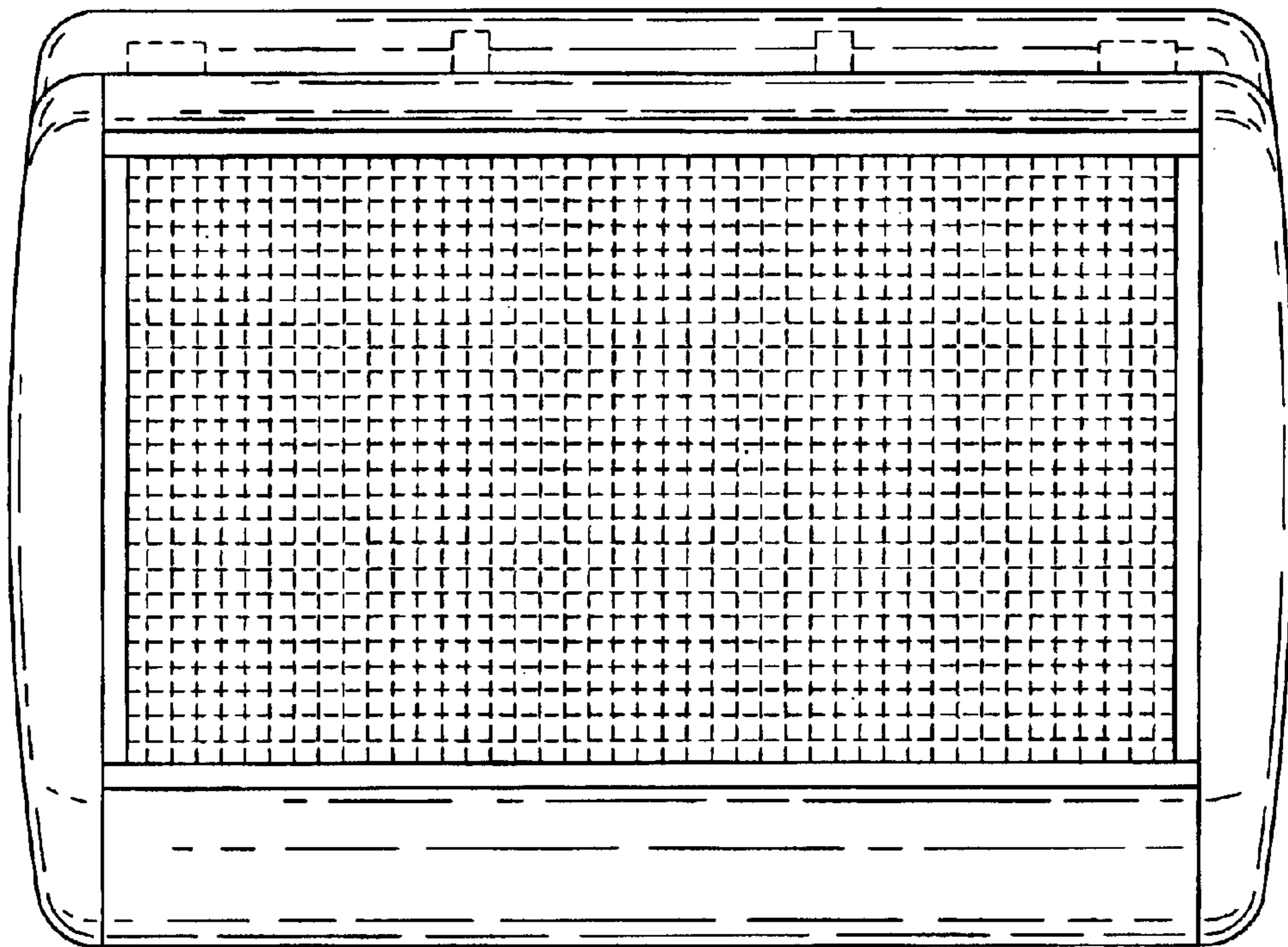


FIG. 4

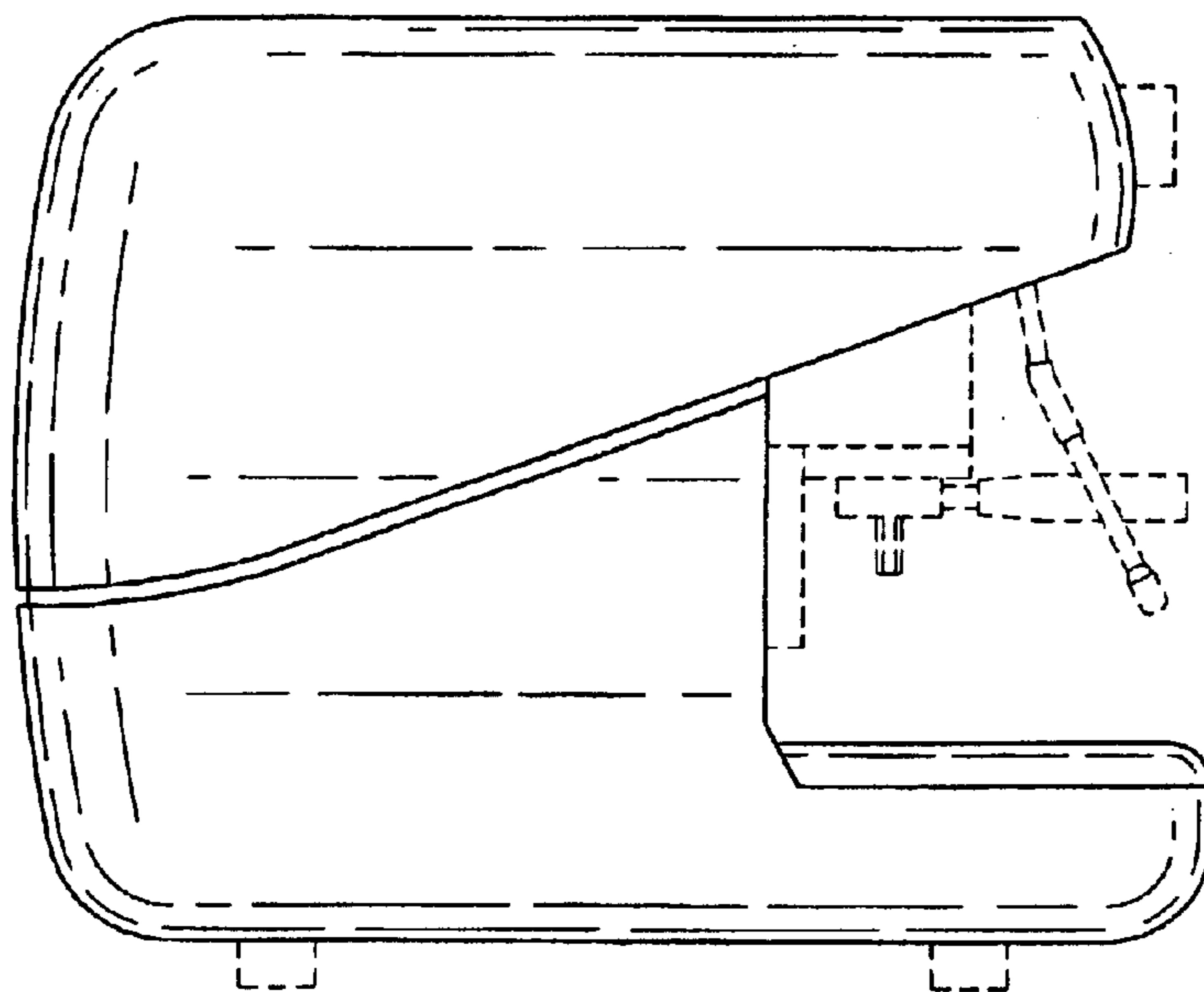


FIG. 5

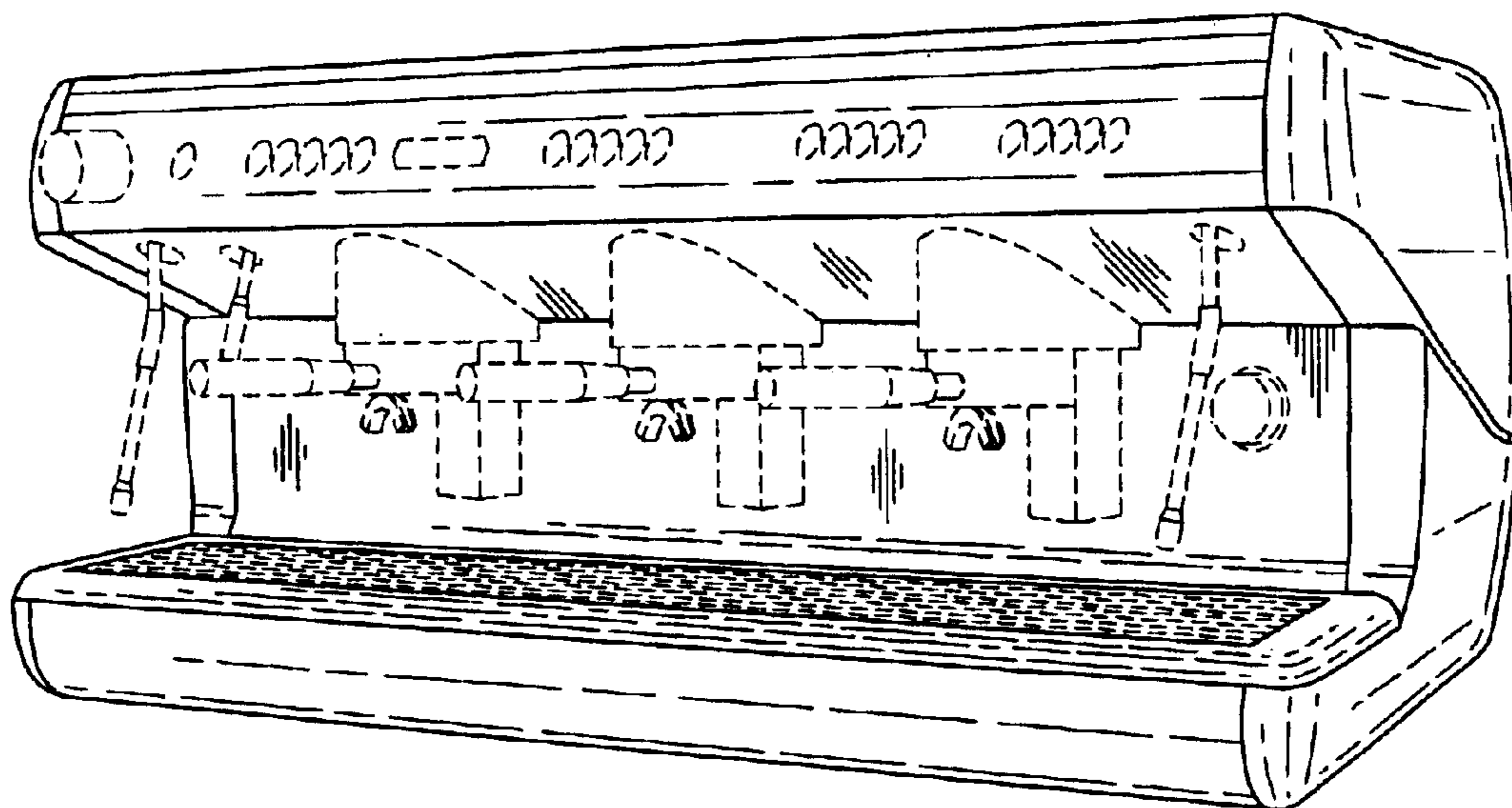


FIG. 6

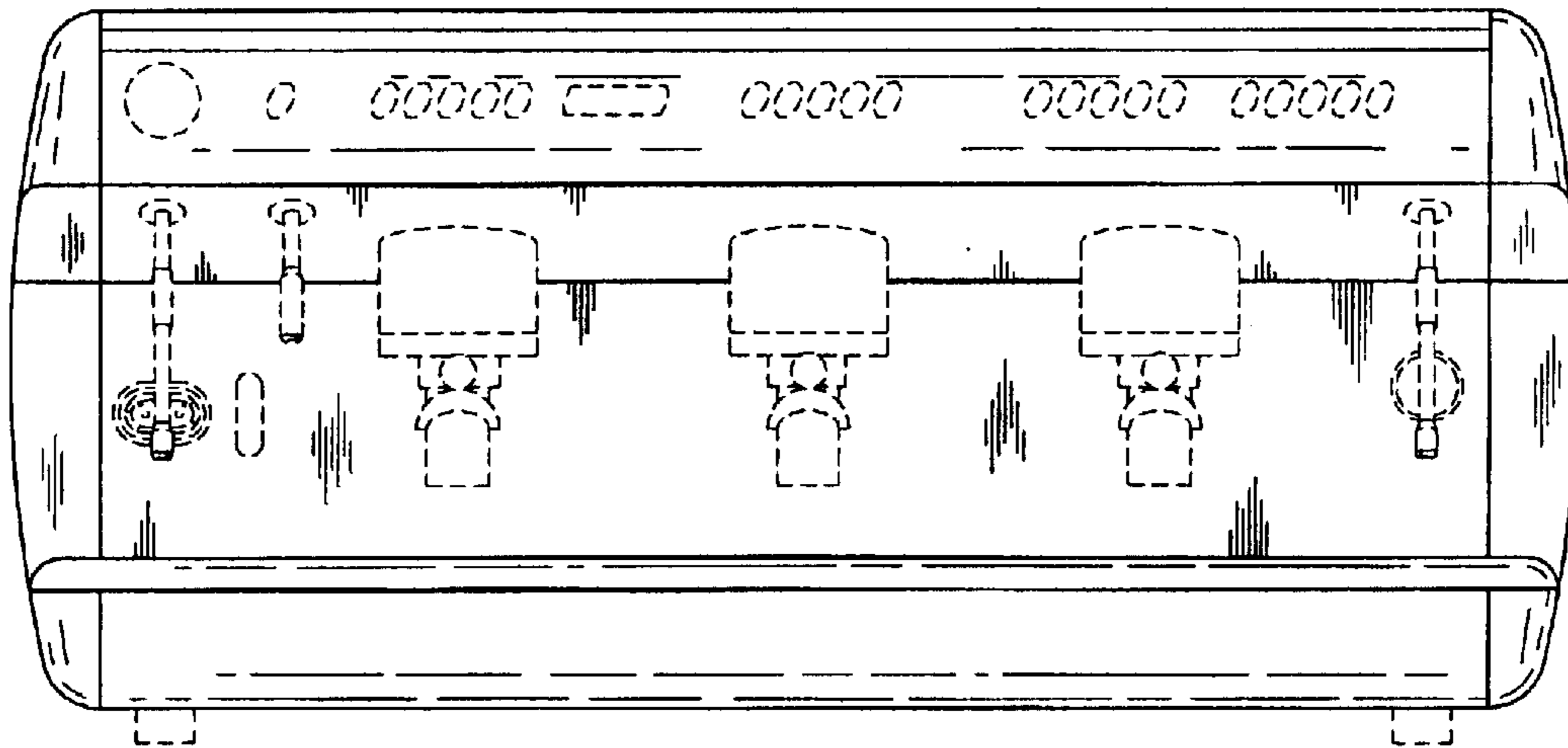


FIG. 7

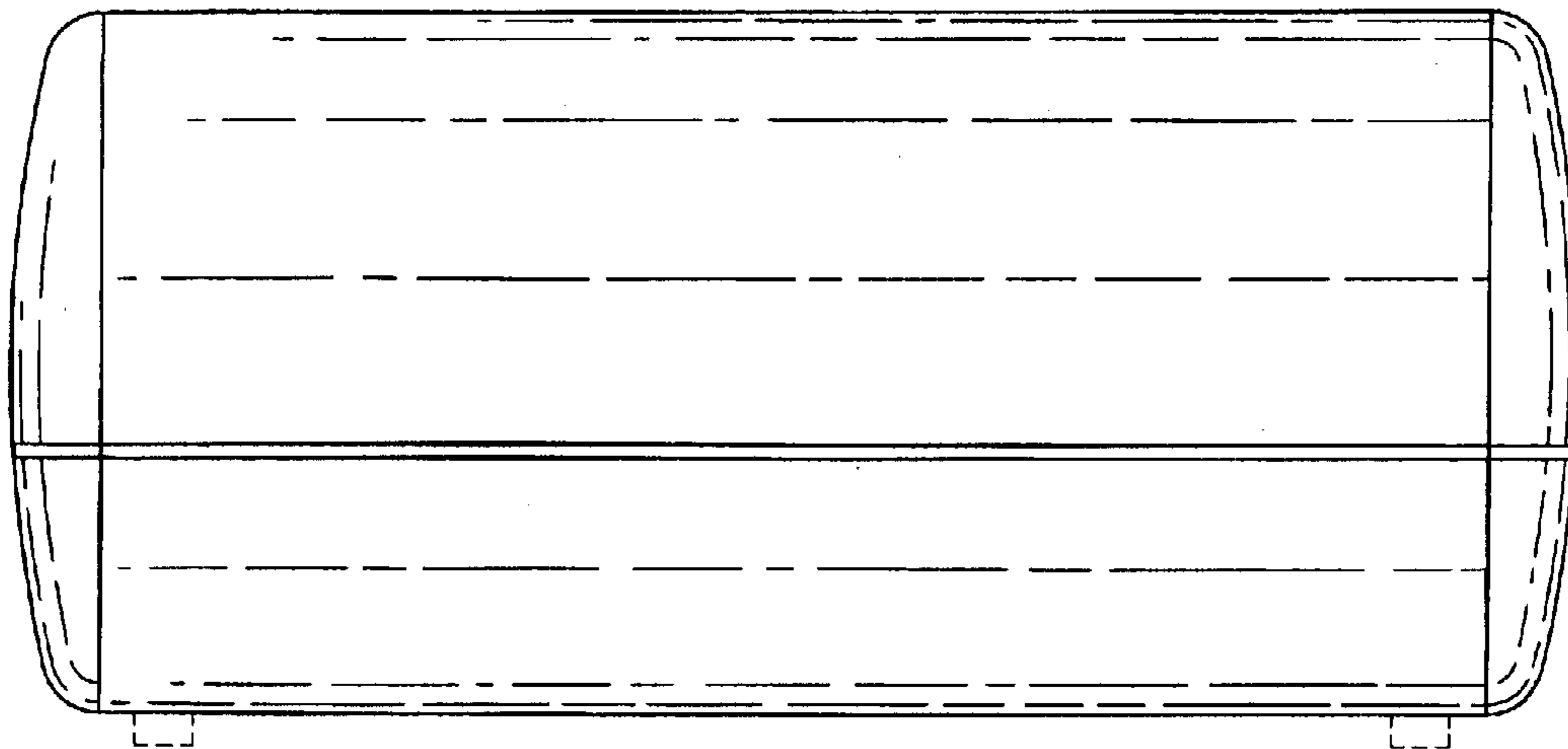


FIG. 8

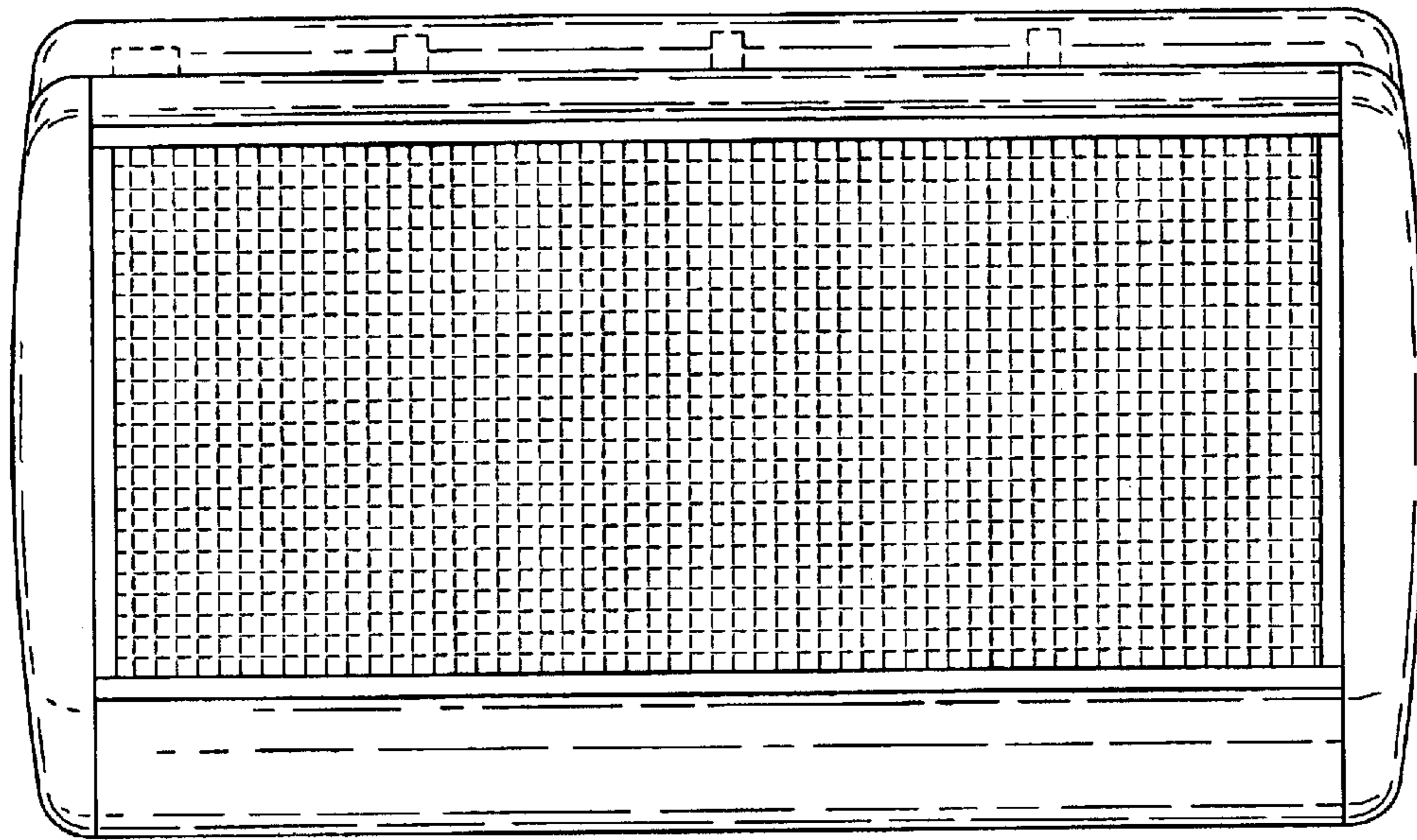


FIG. 9

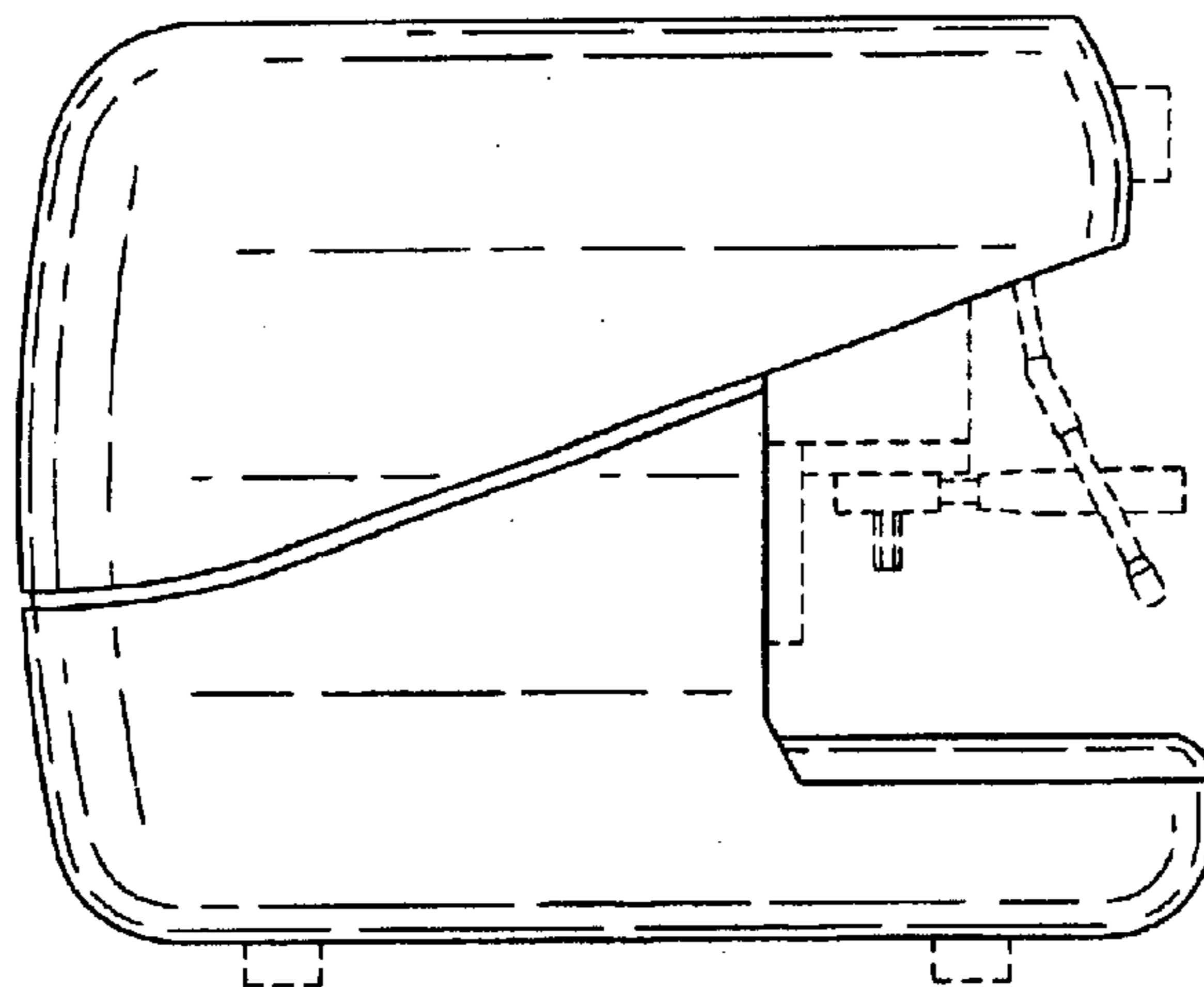


FIG. 10