

US00D497509S1

(12) **United States Design Patent**
Nelson

(10) **Patent No.:** **US D497,509 S**

(45) **Date of Patent:** **** Oct. 26, 2004**

- (54) **STRAW WITH ANGLED OUTPUT**
- (76) **Inventor:** **David Nelson**, 10 Westbrook La.,
Attleboro, MA (US) 02703
- (**) **Term:** **14 Years**
- (21) **Appl. No.:** **29/196,018**
- (22) **Filed:** **Dec. 20, 2003**
- (51) **LOC (7) Cl.** **07-06**
- (52) **U.S. Cl.** **D7/300.2; D24/108**
- (58) **Field of Search** **D7/300.2; D24/108,**
D24/112; 215/229, 388, 389; 239/16, 24,
33; 604/35, 542, 902; 606/170; 433/91,
96

- 5,782,849 A * 7/1998 Miller 606/159
- 6,062,488 A * 5/2000 McCafferty 239/33
- 6,375,091 B1 4/2002 Cha 239/33
- 6,460,777 B2 10/2002 Float et al. 239/33

* cited by examiner

Primary Examiner—Terry A. Wallace

(57) **CLAIM**

The ornamental design for a straw with angled output, as shown and described.

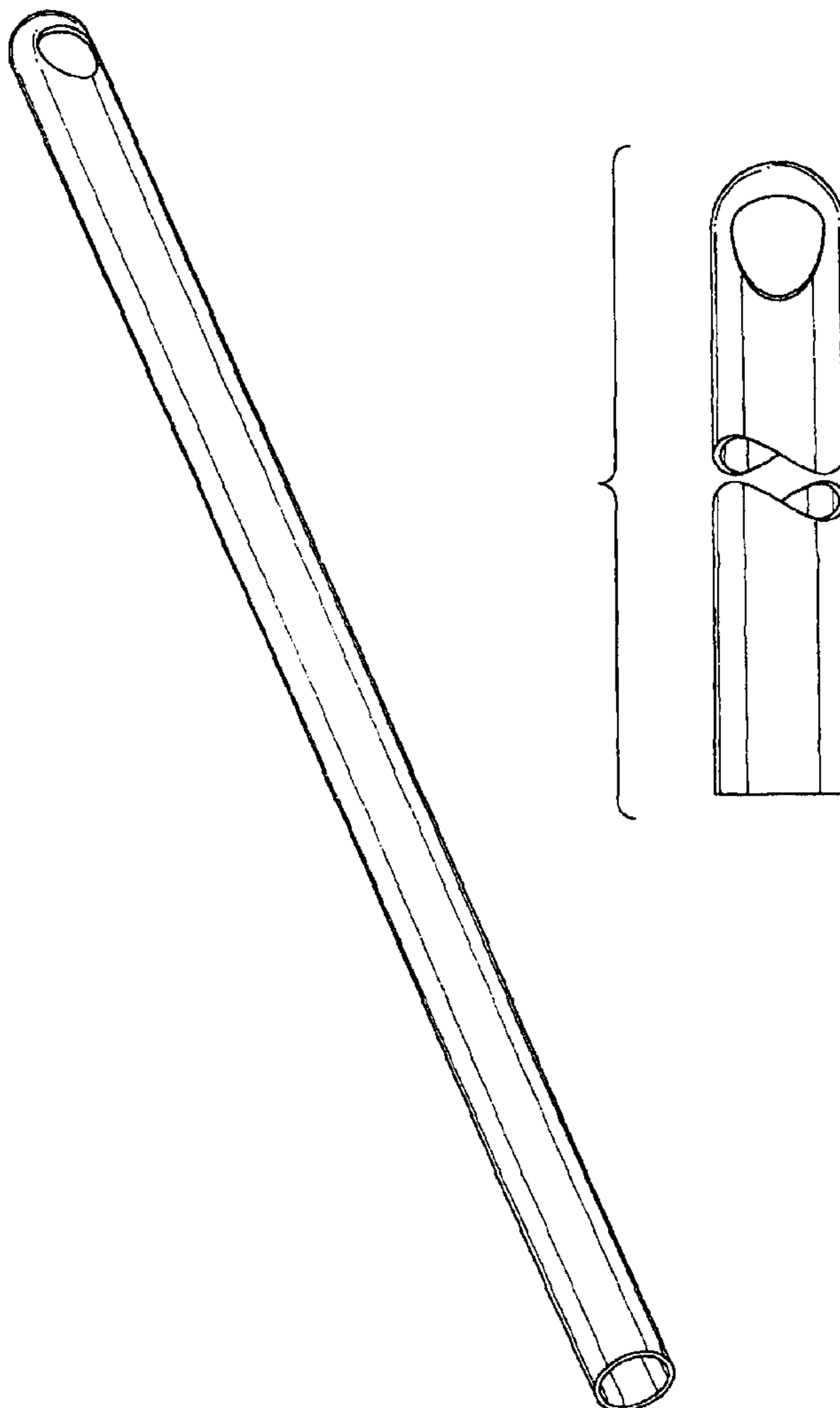
DESCRIPTION

FIG. 1 is a perspective view of the straw with angled output showing my new design;
 FIG. 2 is an enlarged perspective view thereof;
 FIG. 3 is a front view thereof;
 FIG. 4 is a rear view thereof;
 FIG. 5 is a right side view thereof;
 FIG. 6 is a top view thereof; and,
 FIG. 7 is a bottom view thereof.

(56) **References Cited**
U.S. PATENT DOCUMENTS

- D246,688 S * 12/1977 Nassau D7/300.2
- D282,285 S * 1/1986 Levy D24/112
- D379,854 S * 6/1997 Hirsch et al. D24/112

1 Claim, 3 Drawing Sheets



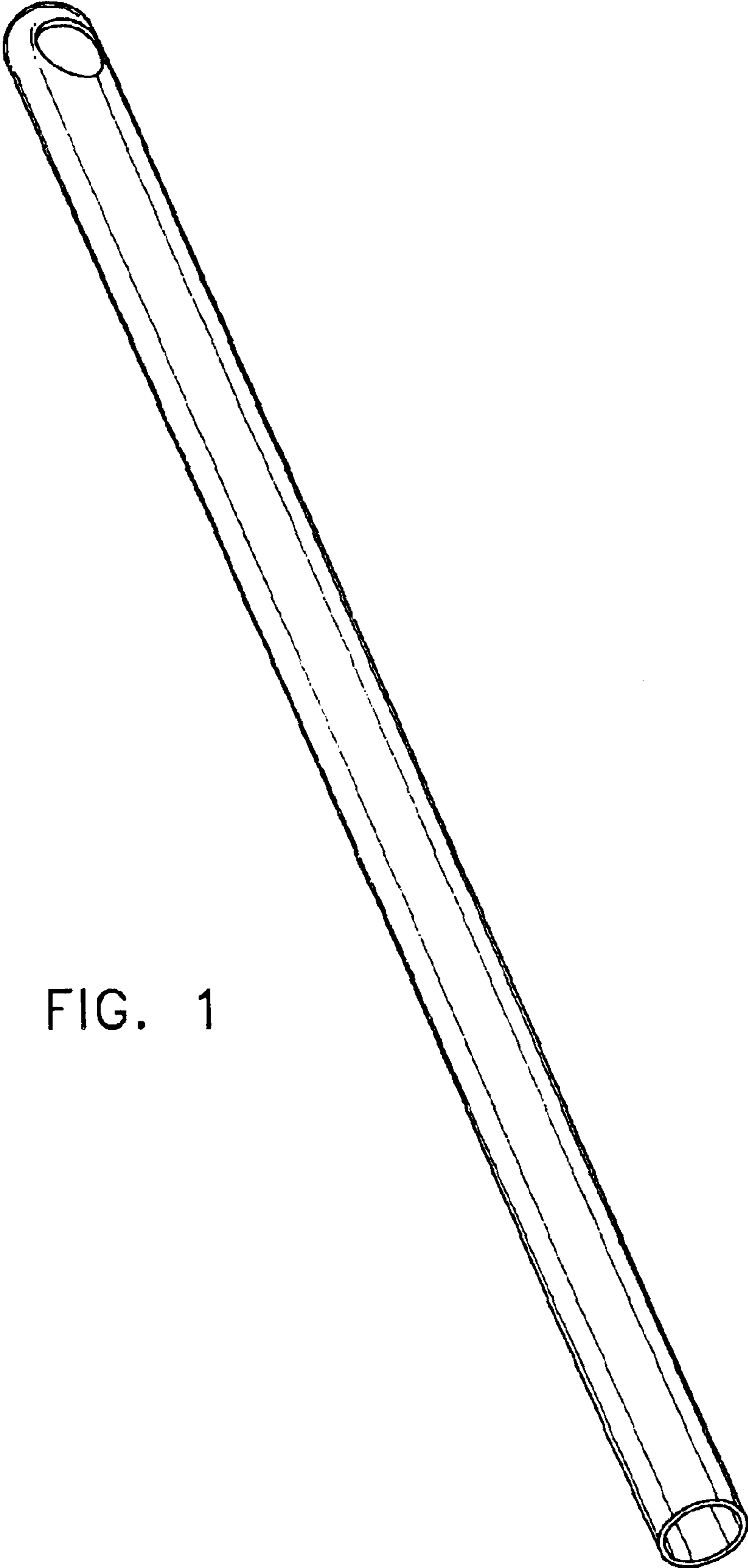


FIG. 1

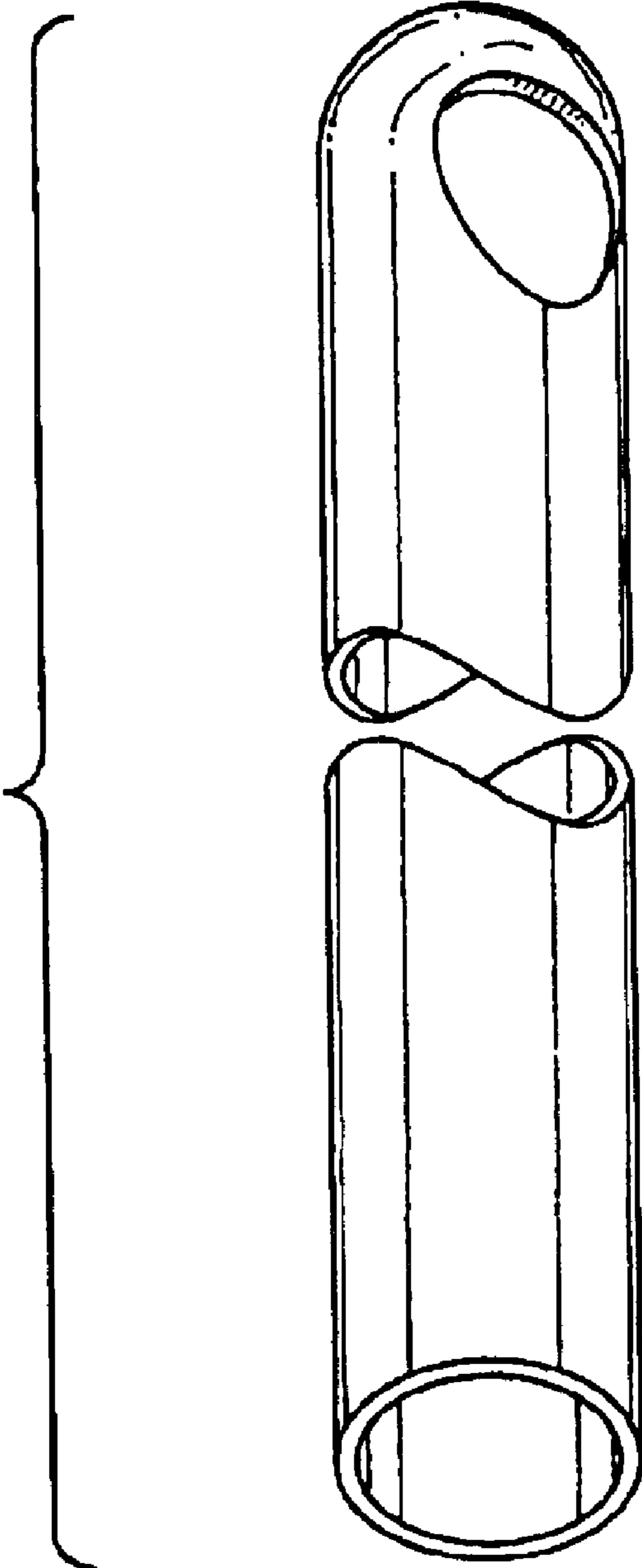


FIG. 2

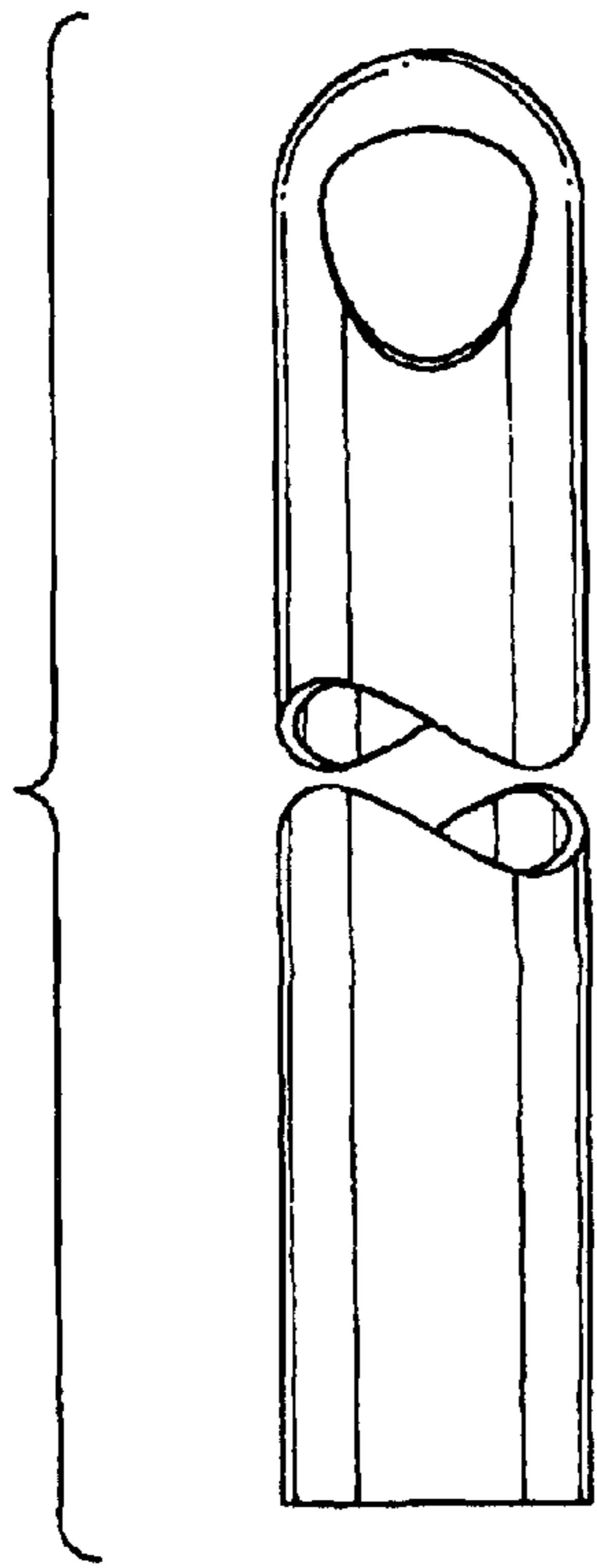


FIG. 3

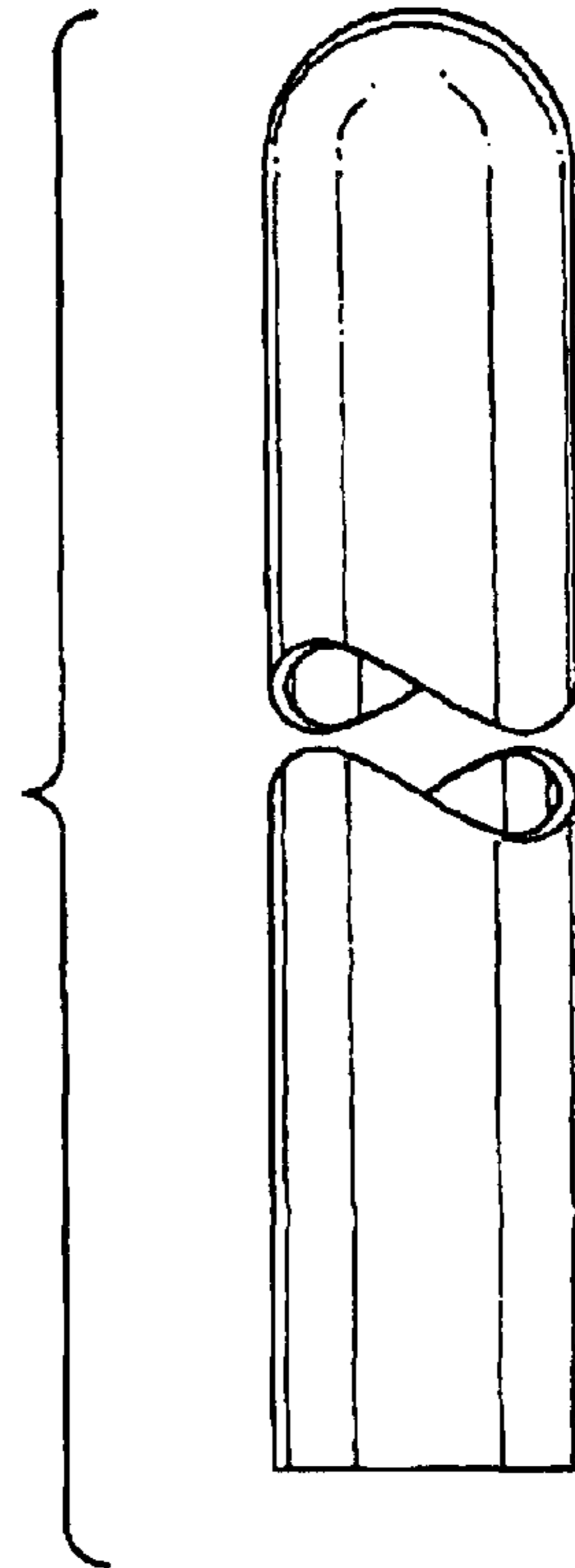


FIG. 4

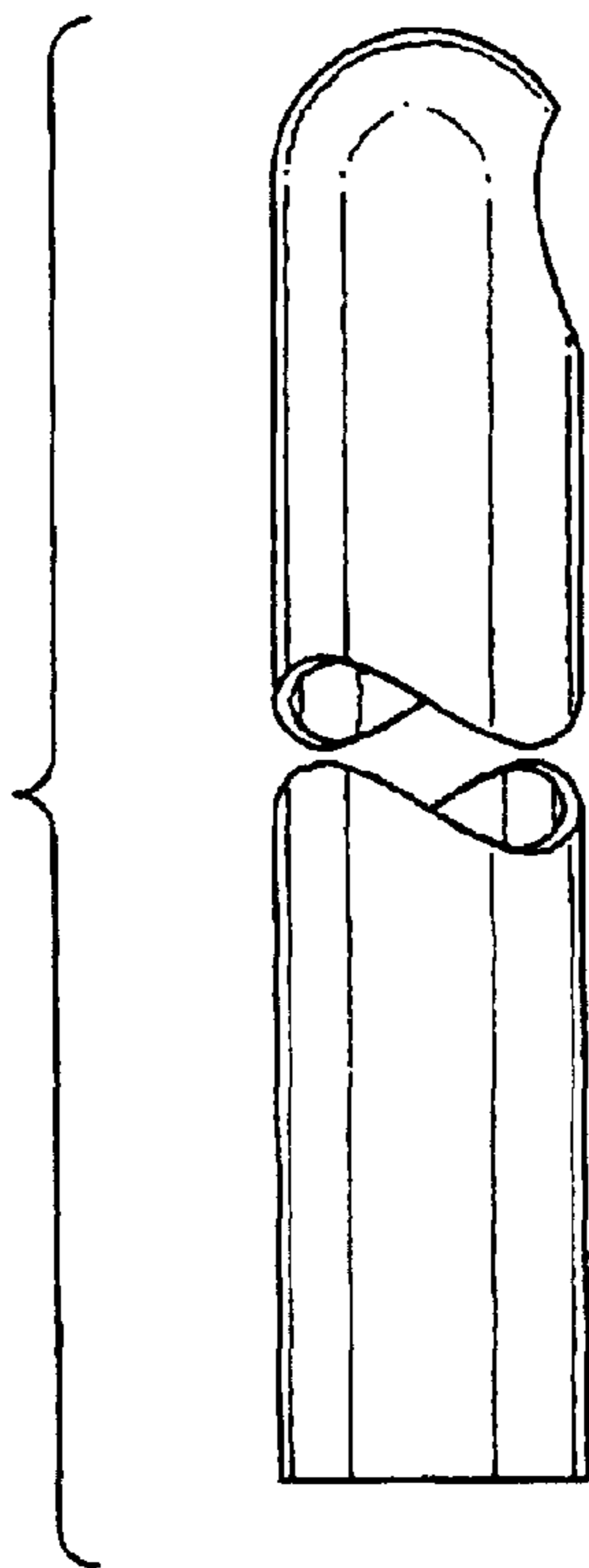


FIG. 5

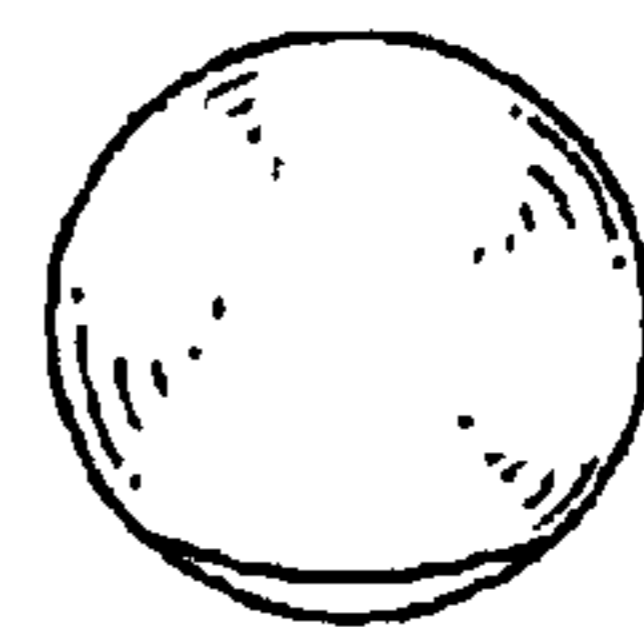


FIG. 6

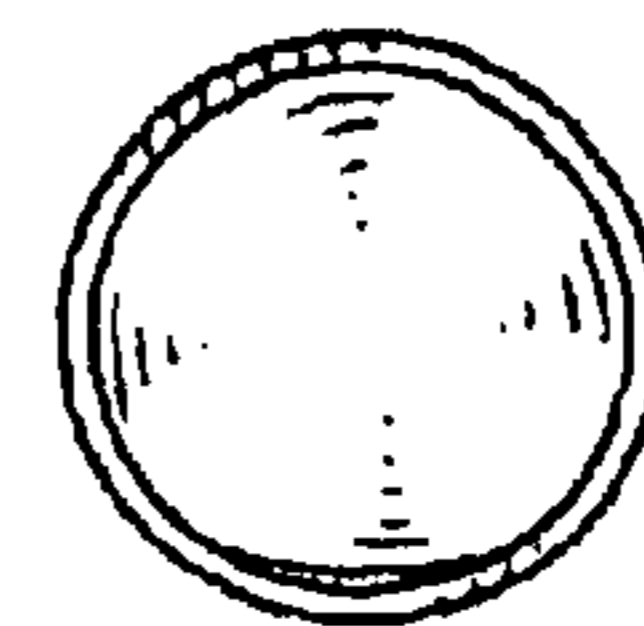


FIG. 7