

US00D497506S1

(12) **United States Design Patent**
Nien

(10) **Patent No.:** **US D497,506 S**
(45) **Date of Patent:** **** Oct. 26, 2004**

(54) **COVER PLATE OF HEAD RAIL OF VERTICAL BLIND**

D366,587 S * 1/1996 Underdahl D6/580
D413,475 S * 9/1999 Swapp D6/577
D468,452 S * 1/2003 Jones D25/119

(75) Inventor: **Ming Nien**, Changhua Hsien (TW)

* cited by examiner

(73) Assignee: **Nien Made Enterprise Co., Ltd.**,
Taichung (TW)

Primary Examiner—Holly Baynham
(74) *Attorney, Agent, or Firm*—Browdy and Neimark,
P.L.L.C.

(**) Term: **14 Years**

(57) **CLAIM**

(21) Appl. No.: **29/193,933**

The ornamental design for “cover plate of head rail of vertical blind,” as shown.

(22) Filed: **Nov. 18, 2003**

(51) **LOC (7) Cl.** **06-10**

(52) **U.S. Cl.** **D6/580**

(58) **Field of Search** D6/580; D25/119;
160/168.1 V, 178.1 R, 38–39

DESCRIPTION

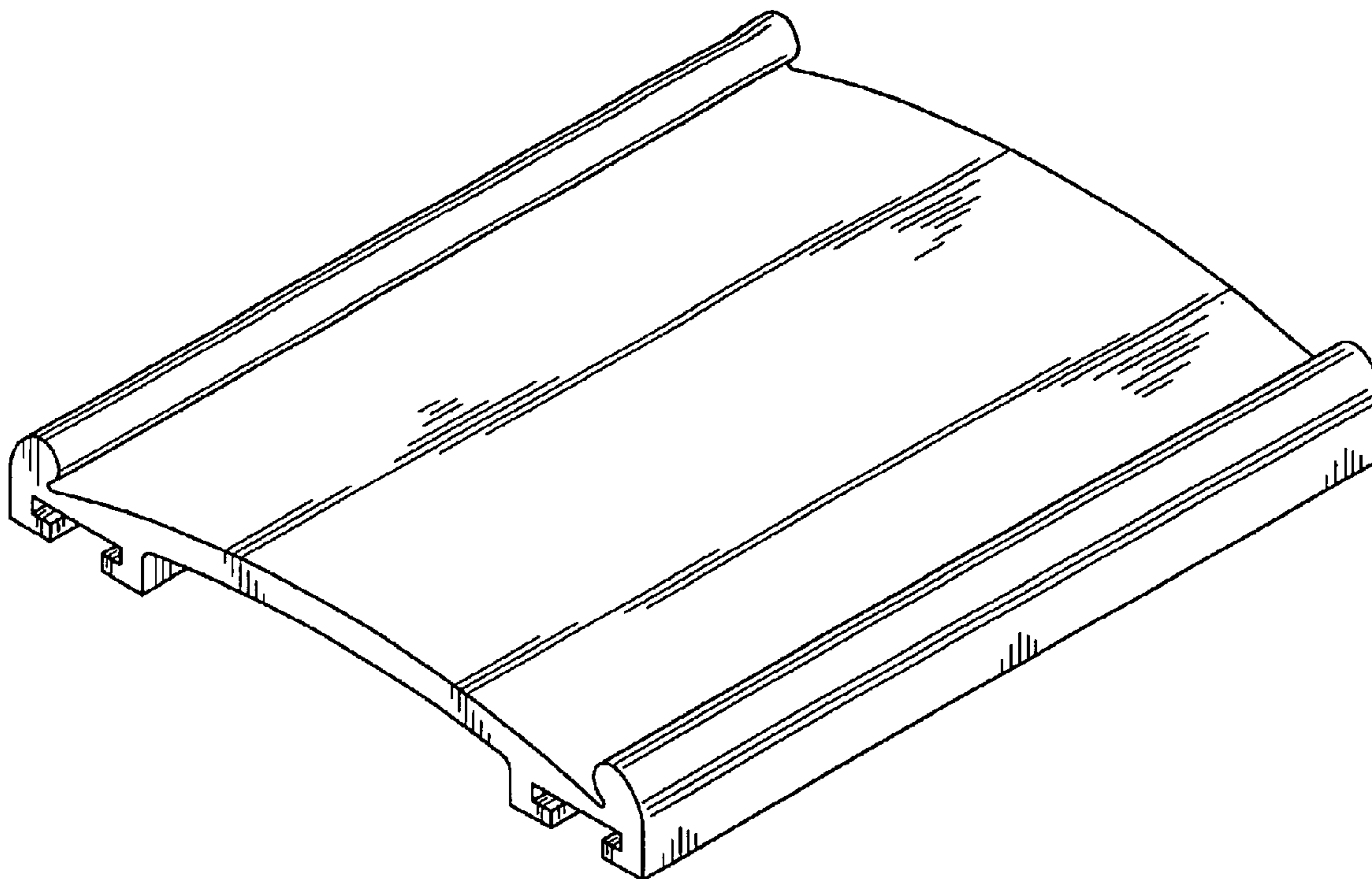
(56) **References Cited**

U.S. PATENT DOCUMENTS

2,300,545 A * 11/1942 Gouch 160/178.1 R
2,637,382 A * 5/1953 Nelson 160/178.1 R
D330,432 S * 10/1992 Weinerman D25/119
D355,092 S * 2/1995 Swopes D6/580

FIG. 1 shows a perspective view of the present design.
FIG. 2 shows a right side elevational view of the present design.
FIG. 3 shows a top plan view of the present design.
FIG. 4 shows a front elevational view of the present design.
FIG. 5 shows a bottom plan view of the present design.
FIG. 6 shows a left side elevational view of the present design; and,
FIG. 7 shows a rear elevational view of the present design.

1 Claim, 3 Drawing Sheets



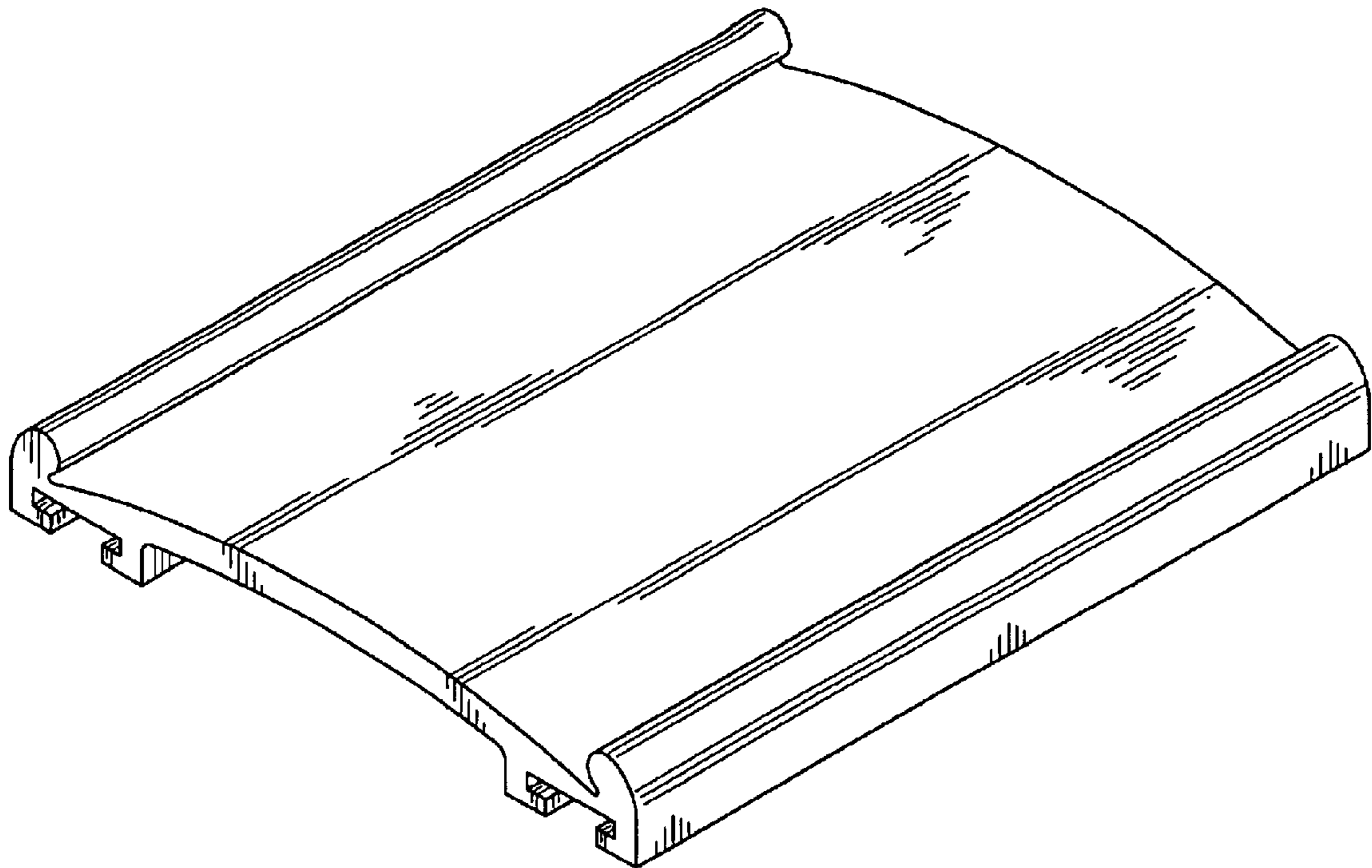


FIG. 1

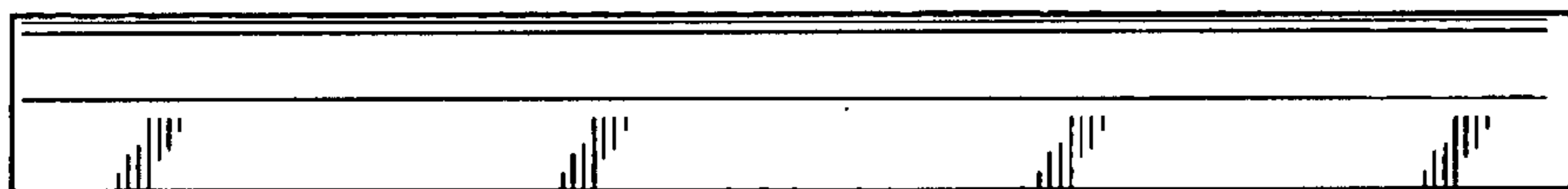


FIG. 2

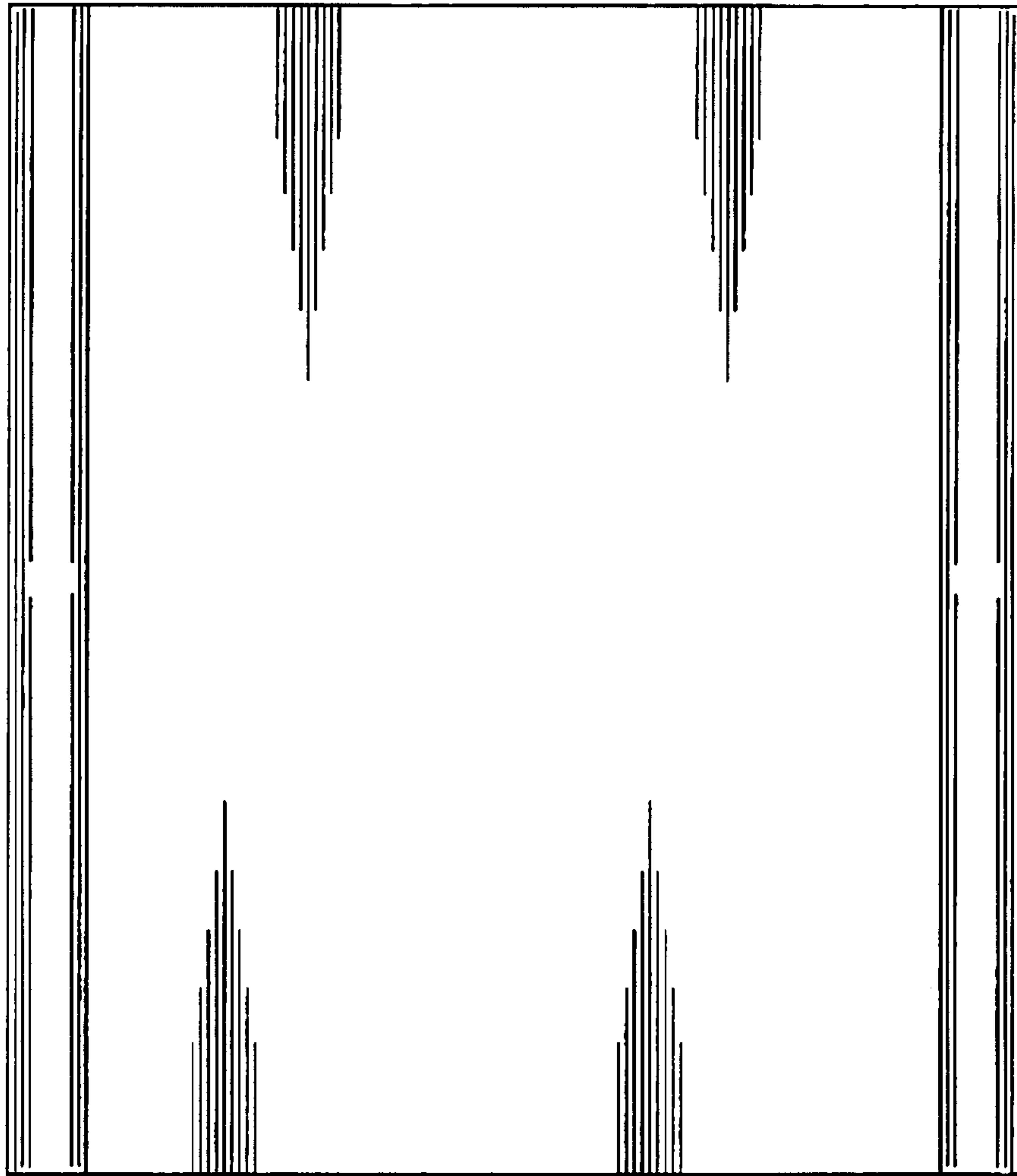


FIG. 3

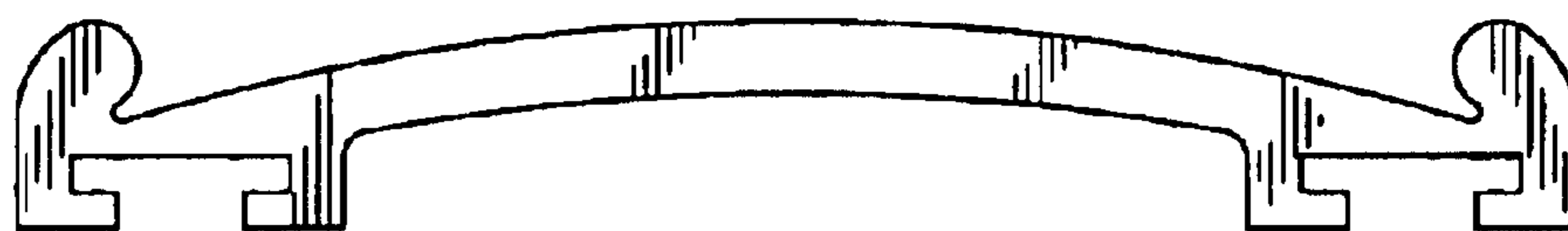


FIG. 4

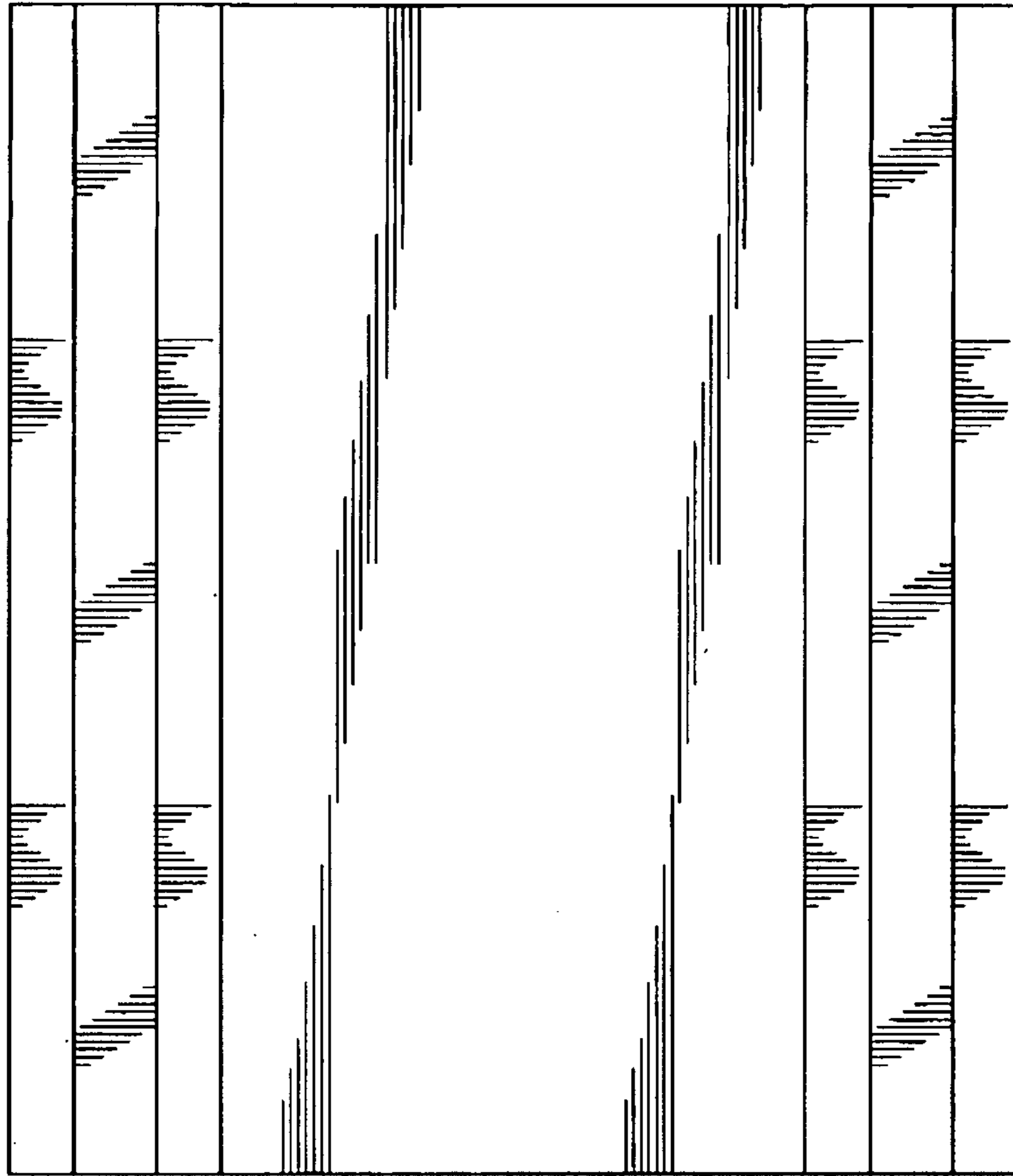


FIG. 5

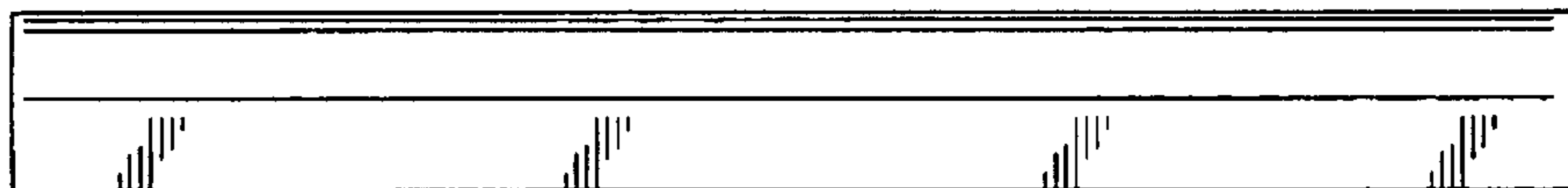


FIG. 6

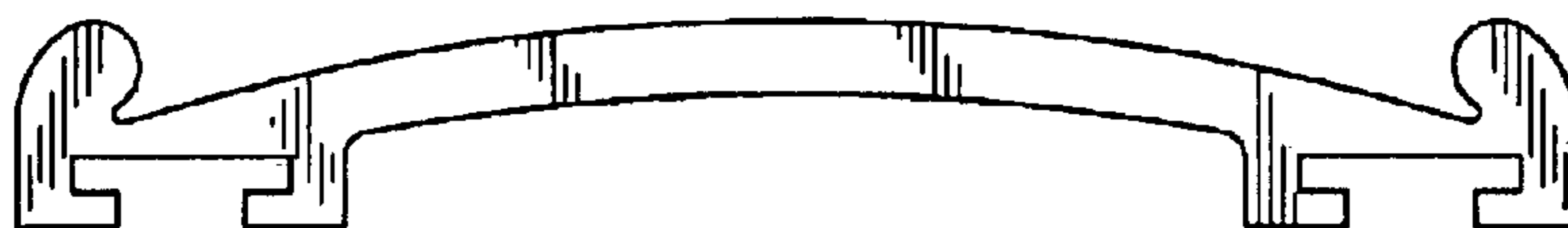


FIG. 7