



US00D497504S1

(12) **United States Design Patent**
Lledo

(10) **Patent No.:** **US D497,504 S**
(45) **Date of Patent:** **** Oct. 26, 2004**

- (54) **DISPLAY FOR PLASTIC CUPS**
- (76) **Inventor:** **Julio Lledo**, 6151 W. 24 Ave., Apt. 106, Hialeah, FL (US) 33016
- (**) **Term:** **14 Years**
- (21) **Appl. No.:** **29/179,707**
- (22) **Filed:** **Apr. 14, 2003**
- (51) **LOC (7) Cl.** **06-04**
- (52) **U.S. Cl.** **D6/516; D6/476**
- (58) **Field of Search** D6/396, 397, 408, D6/449, 457-471, 473-476, 512, 514, 515, 516, 542, 544; D7/589, 701; 206/738, 745; 211/13.1, 49.1, 71.01, 72-74, 133.1, 126.16, 189, 195

- D285,993 S * 10/1986 Genna D6/475
- D286,109 S * 10/1986 Cosby et al. D6/469
- D286,834 S * 11/1986 Wilken D6/473
- D310,938 S * 10/1990 Vigil D7/589
- D317,384 S * 6/1991 Powell D6/515
- 5,700,075 A * 12/1997 Perone 312/45

* cited by examiner

Primary Examiner—Mimosa De
(74) *Attorney, Agent, or Firm*—J. Sanchelima; A. Bordas

(57) **CLAIM**

The ornamental design for display for plastic cups, as shown and described.

DESCRIPTION

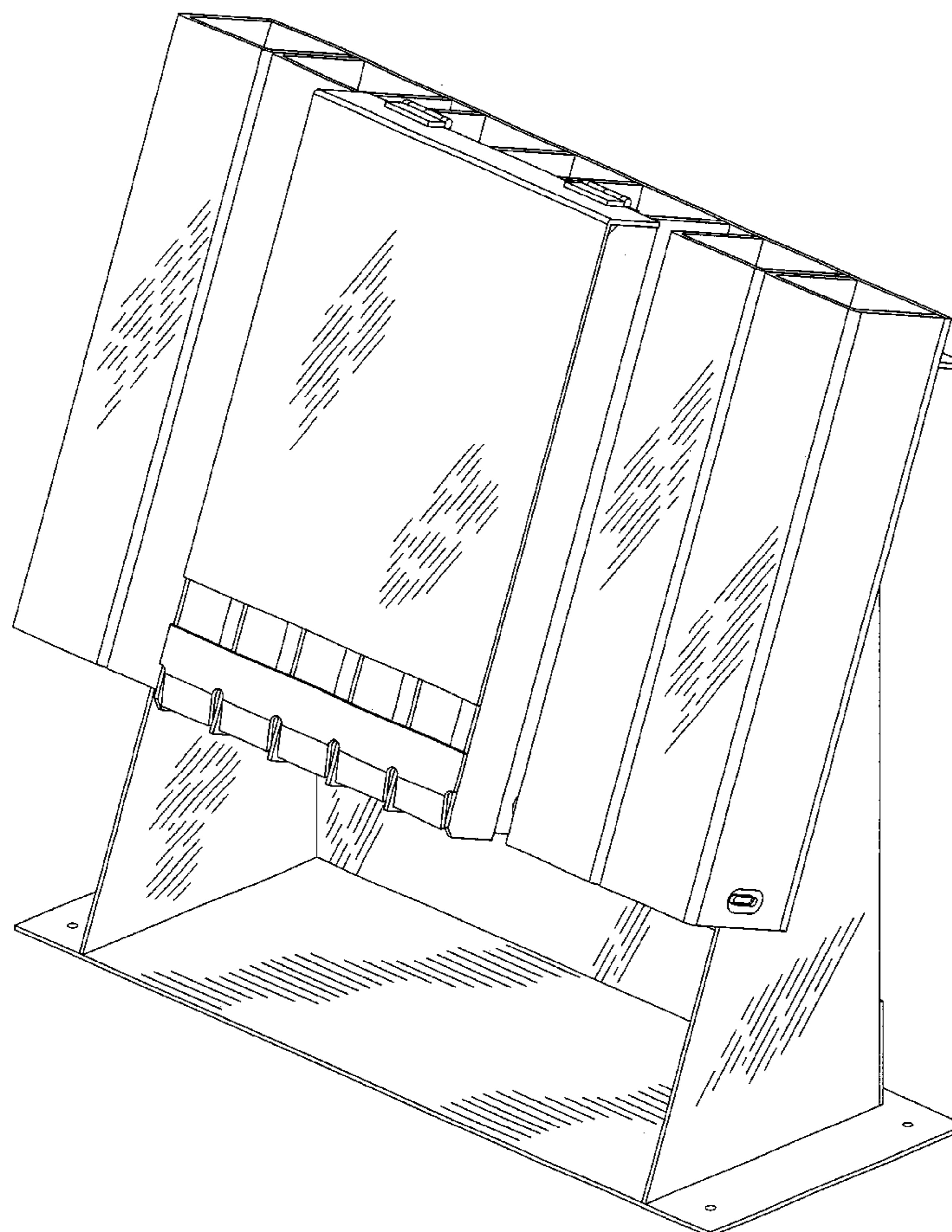
FIG. 1 is a top plan view of a display for plastic cups showing my new design;
FIG. 2 is a front elevational view thereof;
FIG. 3 is a bottom plan view thereof;
FIG. 4 is a left side elevational view thereof;
FIG. 5 is a back view thereof;
FIG. 6 is a right side elevational view thereof; and,
FIG. 7 is an enlarged isometric view showing my design.

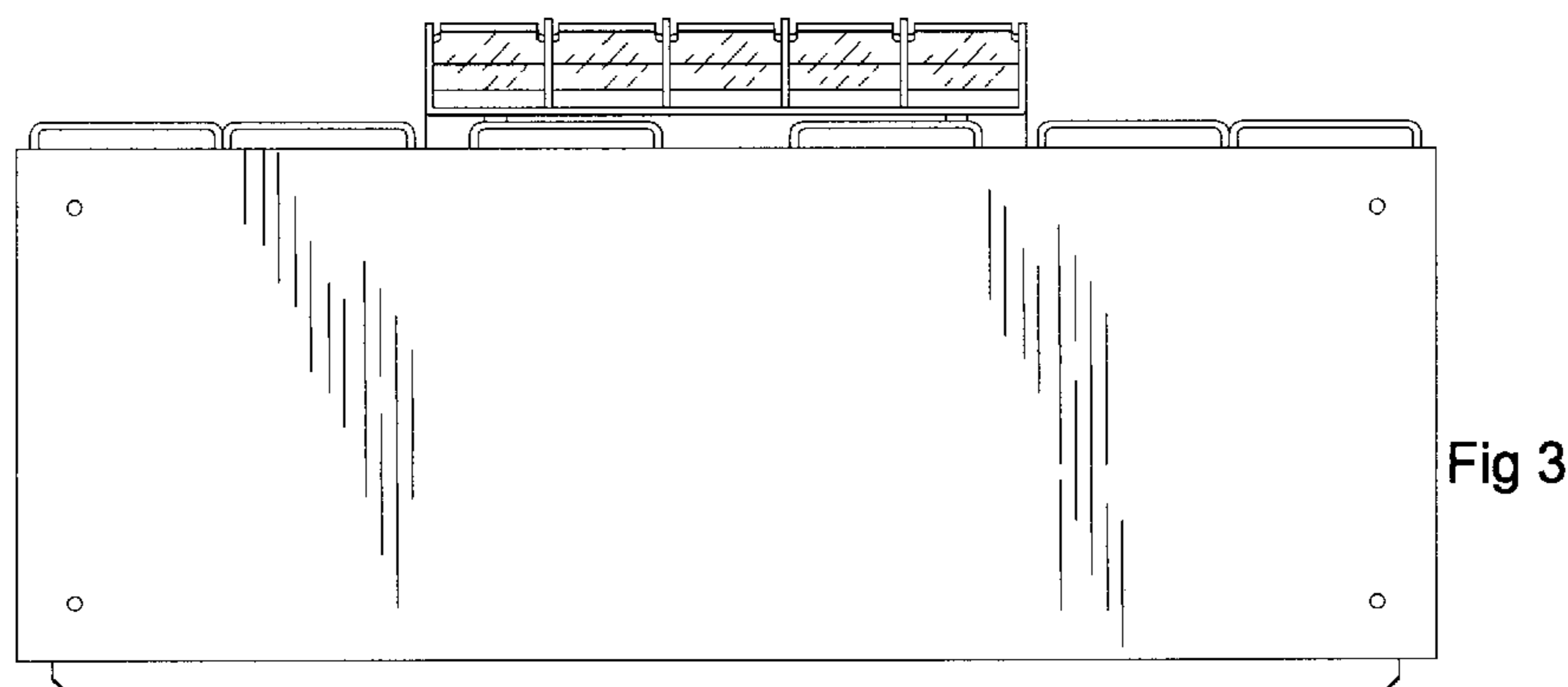
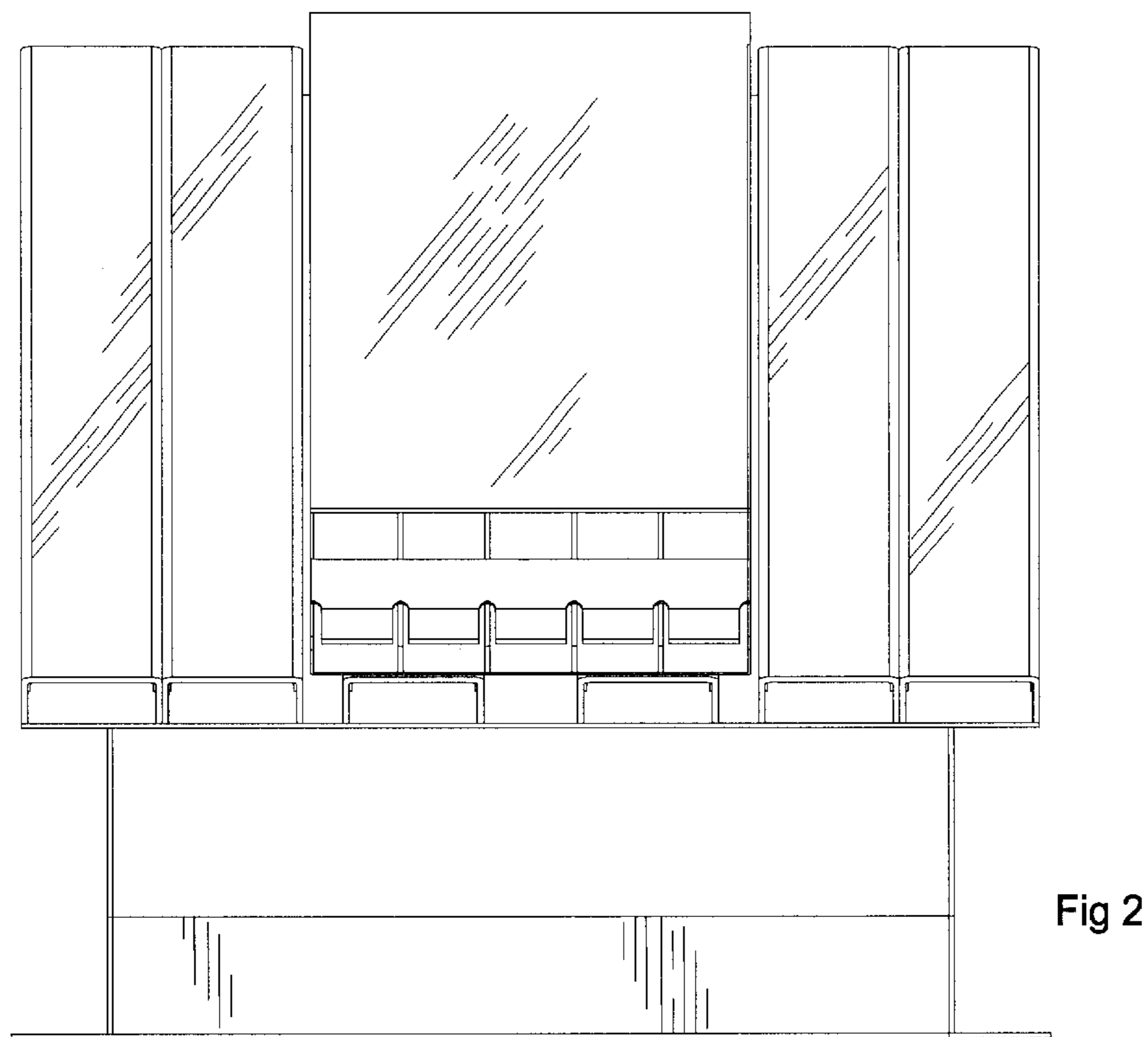
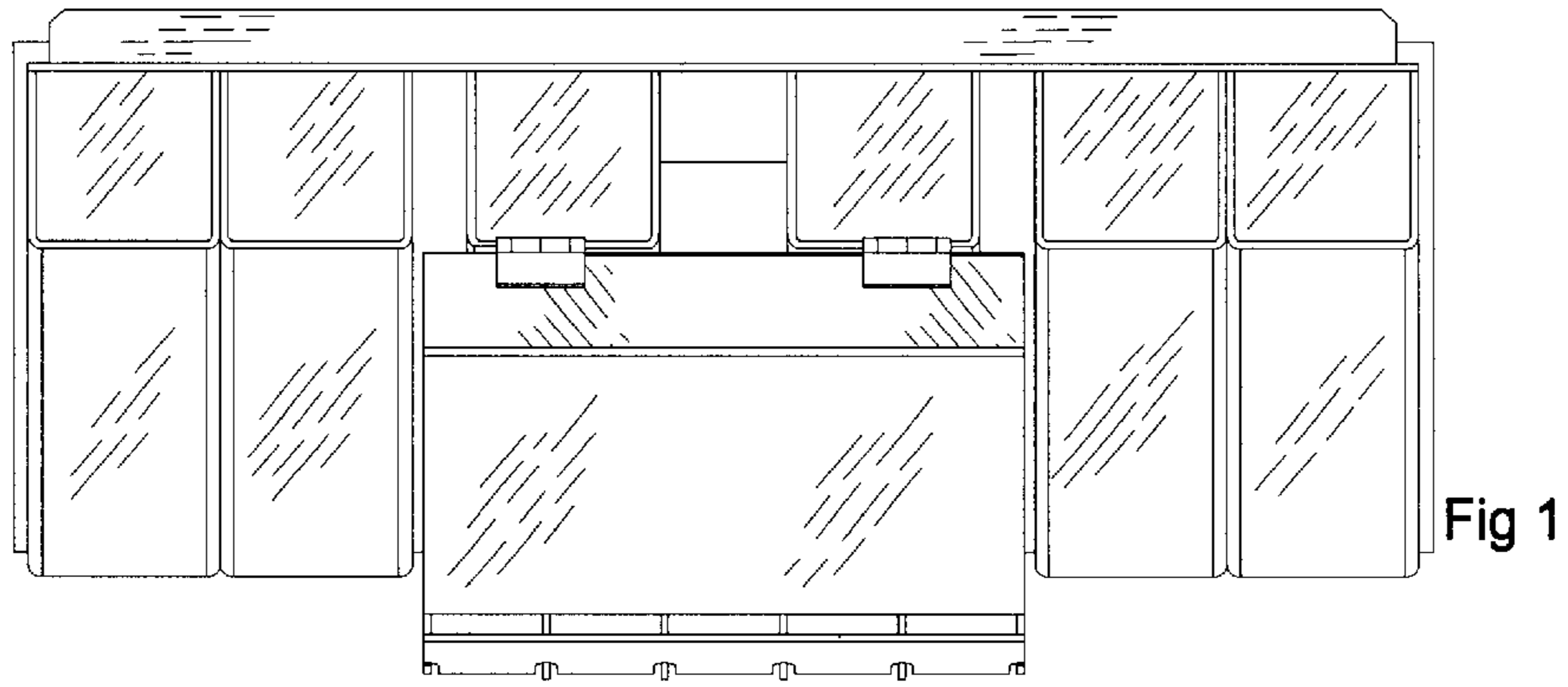
1 Claim, 3 Drawing Sheets

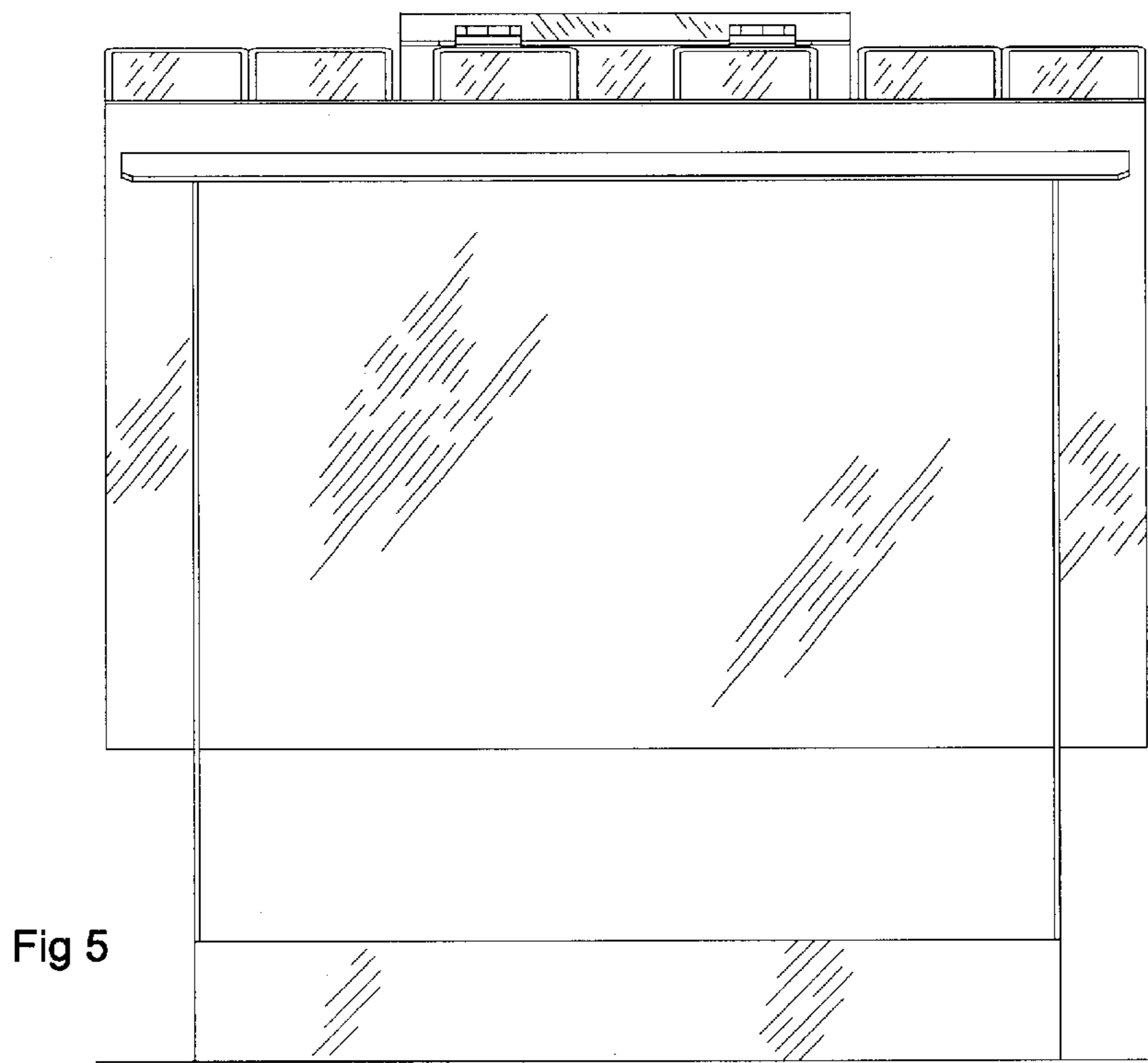
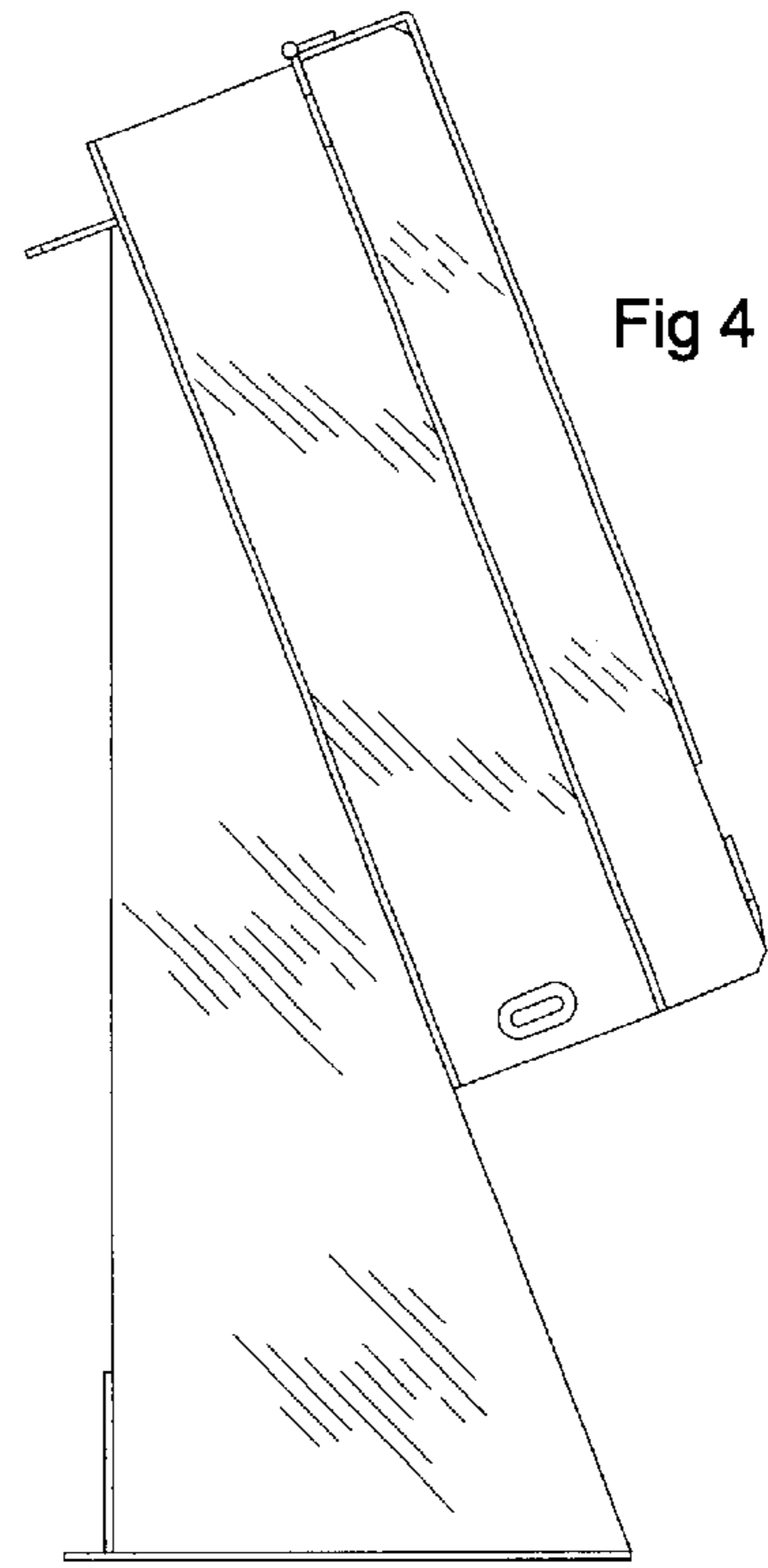
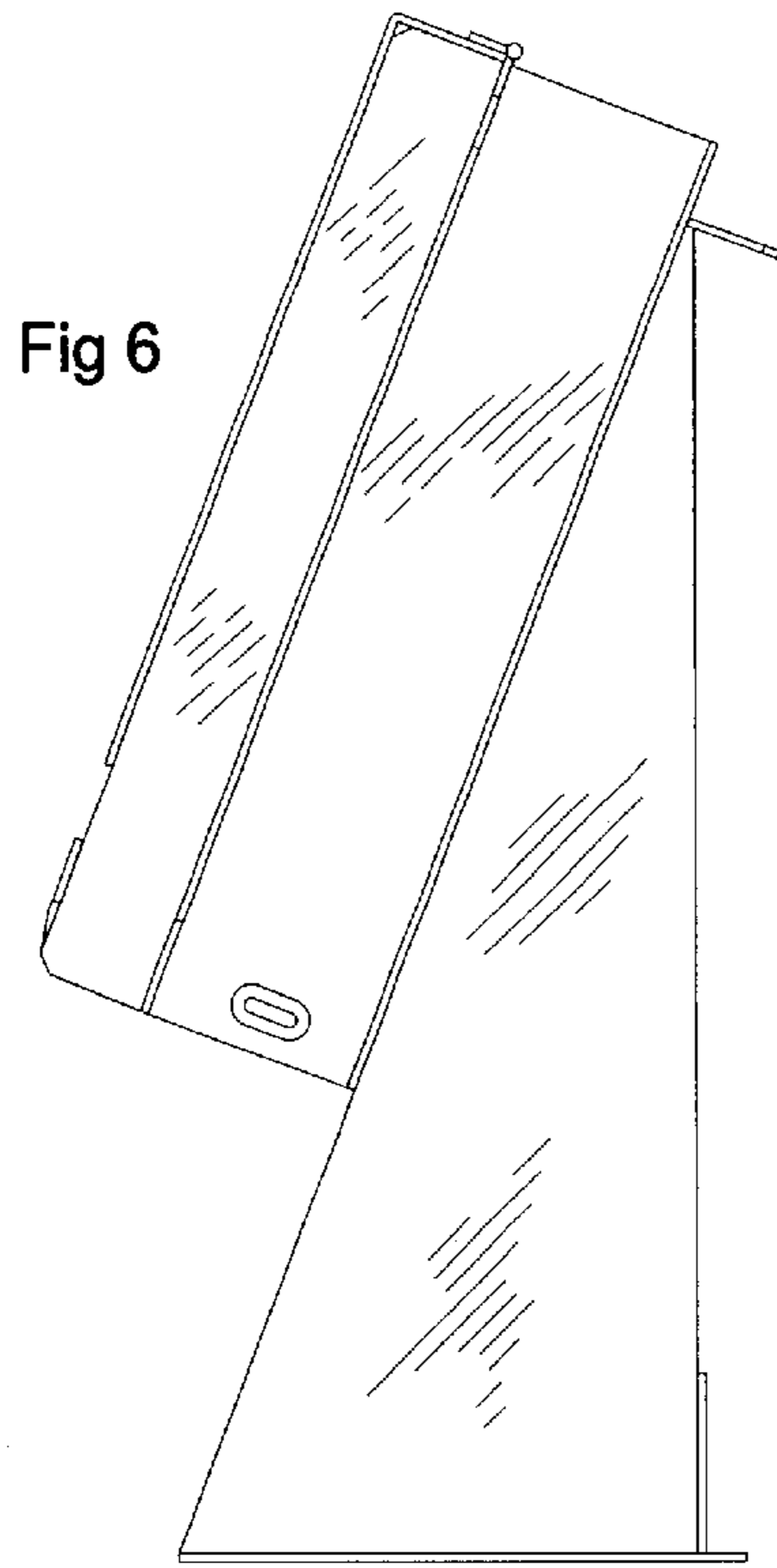
(56) **References Cited**

U.S. PATENT DOCUMENTS

- 2,150,306 A * 3/1939 Wessman 221/308
- D245,653 S * 9/1977 Kent et al. D6/515
- D264,908 S * 6/1982 Cooper D6/408
- D267,382 S * 12/1982 Heinrichsdorff D6/515
- 4,542,830 A * 9/1985 Effort 211/49.1







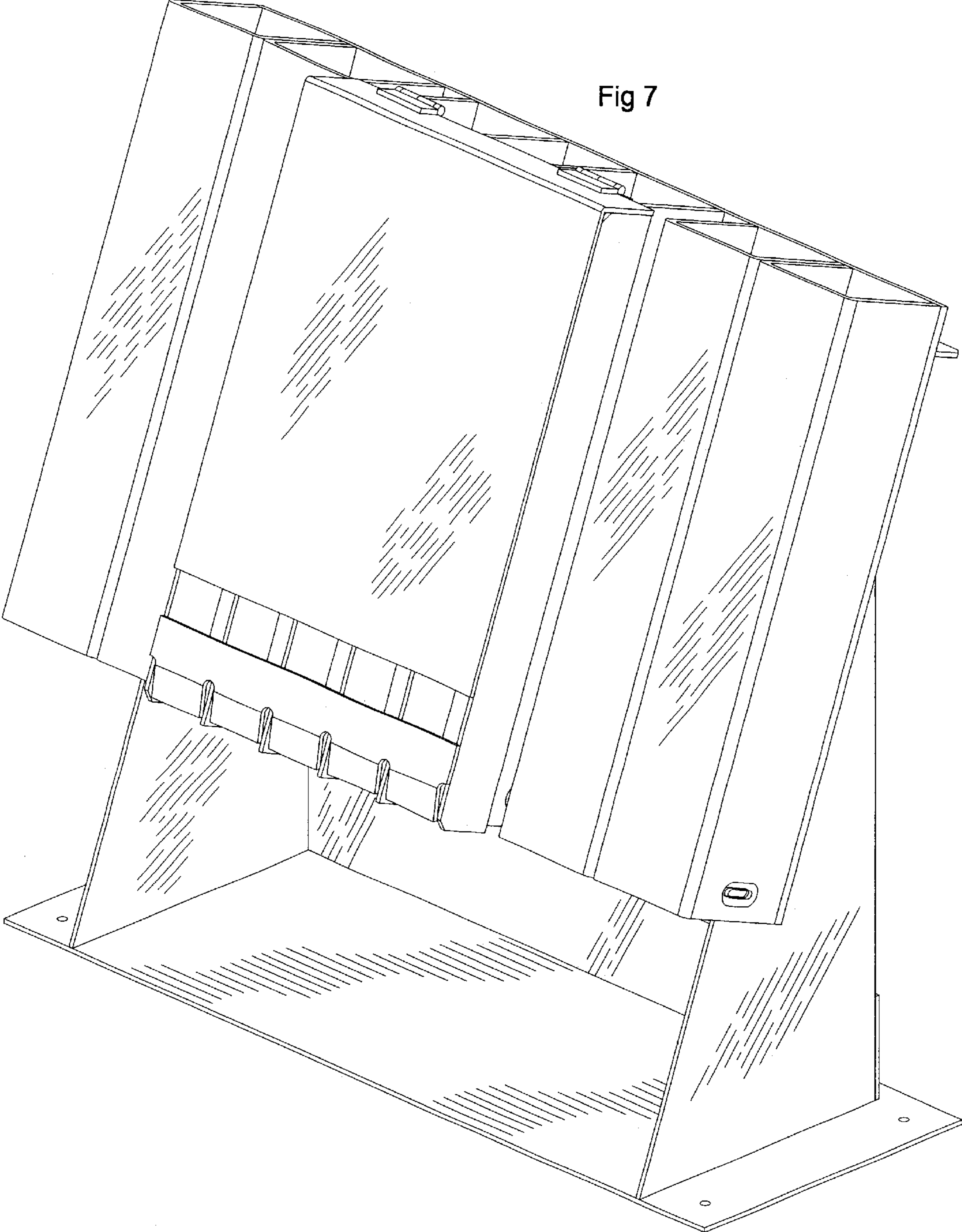


Fig 7