

US00D497500S1

(12) **United States Design Patent**
Farber et al.

(10) **Patent No.:** **US D497,500 S**
(45) **Date of Patent:** **** Oct. 26, 2004**

(54) **TABLE LEG**

(76) Inventors: **Robert Farber**, 2 Gayton Road,
Montreal, Quebec (CA), H3X 1K7;
Jason C. Farber, 33 Fallbrook,
Montreal, Quebec (CA), H3X 3W1

(**) Term: **14 Years**

(21) Appl. No.: **29/181,441**

(22) Filed: **May 9, 2003**

(51) **LOC (7) Cl.** **06-06**

(52) **U.S. Cl.** **D6/499**

(58) **Field of Search** D6/480-489, 495-499,
D6/429; 108/153.1, 155, 156, 157.1, 161,
159.1, 157.12, 115, 118, 130; 248/188,
188.1, 188.8, 432, 164

(56) **References Cited**

U.S. PATENT DOCUMENTS

2,471,564 A * 5/1949 Gaudette 108/118
D224,636 S * 8/1972 Ball D6/484
5,323,695 A * 6/1994 Borgman et al. 108/147
D408,167 S * 4/1999 Cloud D6/397
5,893,604 A * 4/1999 Yao 297/16.1

D416,148 S * 11/1999 Pagnon et al. D6/487
D469,994 S 2/2003 Smith
D469,996 S 2/2003 Ashby
D470,352 S 2/2003 Strong

* cited by examiner

Primary Examiner—Janice E. Seeger

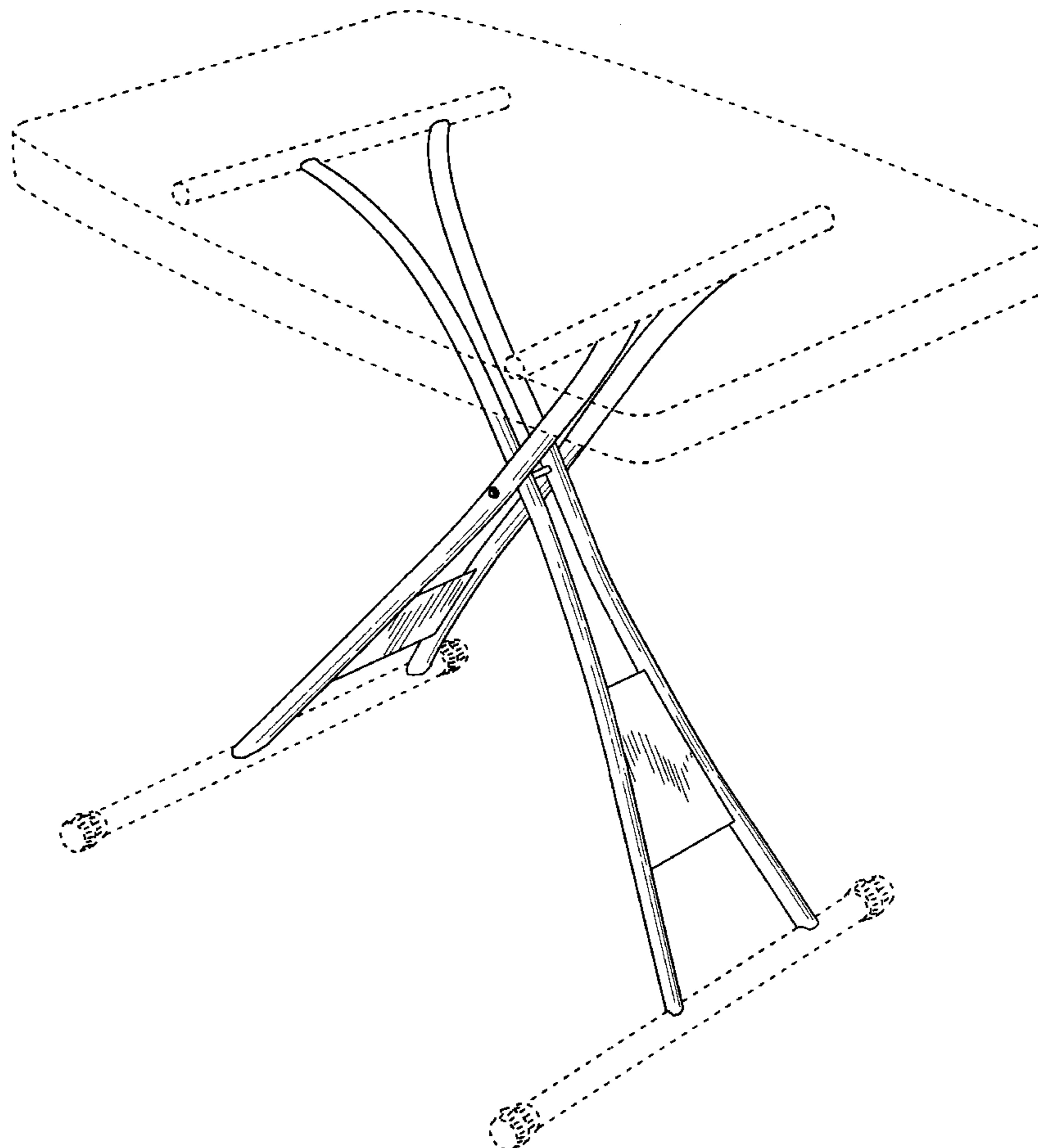
(57) **CLAIM**

The ornamental design for a table leg, as shown and described.

DESCRIPTION

FIG. 1 is a front perspective view of our new design for a table leg;
FIG. 2 is a top view of the table leg shown in FIG. 1;
FIG. 3 is a bottom view of the table leg shown in FIG. 1;
FIG. 4 is a front view of the table leg shown in FIG. 1;
FIG. 5 is a rear view of the table leg shown in FIG. 1;
FIG. 6 is a left side view of the table leg shown in FIG. 1;
and,
FIG. 7 is a right side view of the table leg shown in FIG. 1.
The broken lines in the drawings are for illustrative purposes only and form no part of the invention.

1 Claim, 4 Drawing Sheets



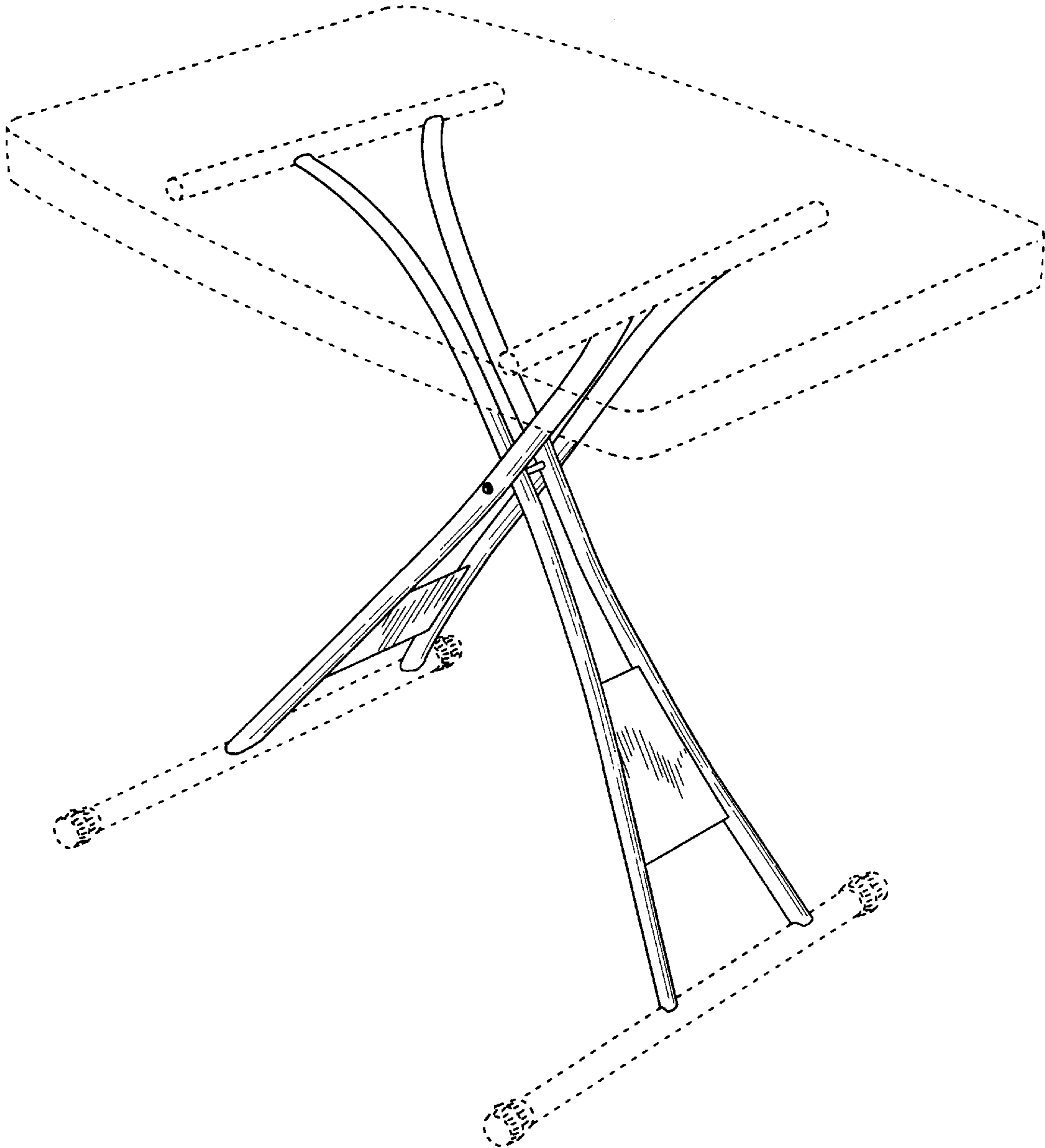


Fig. 1

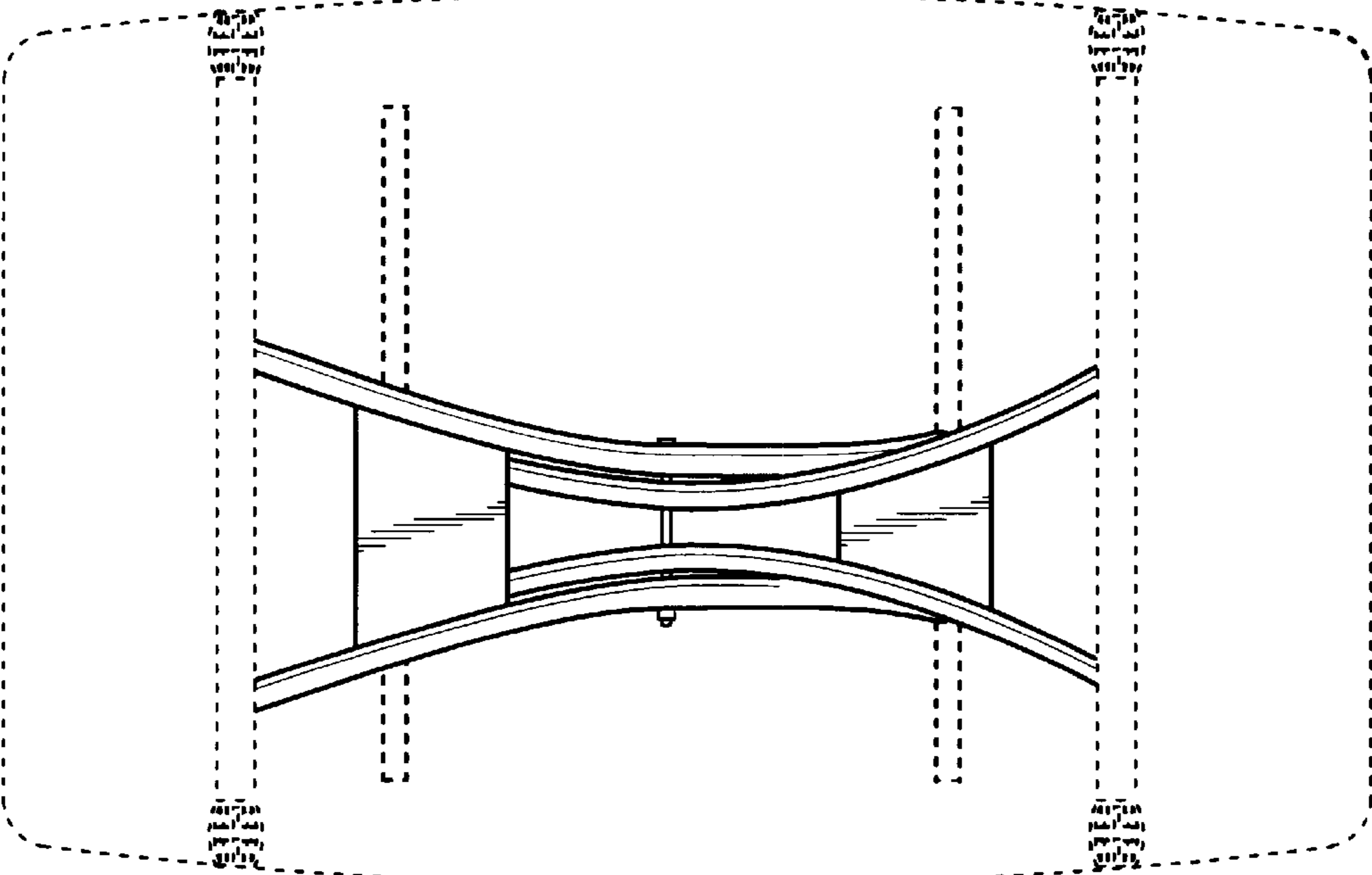


Fig. 2

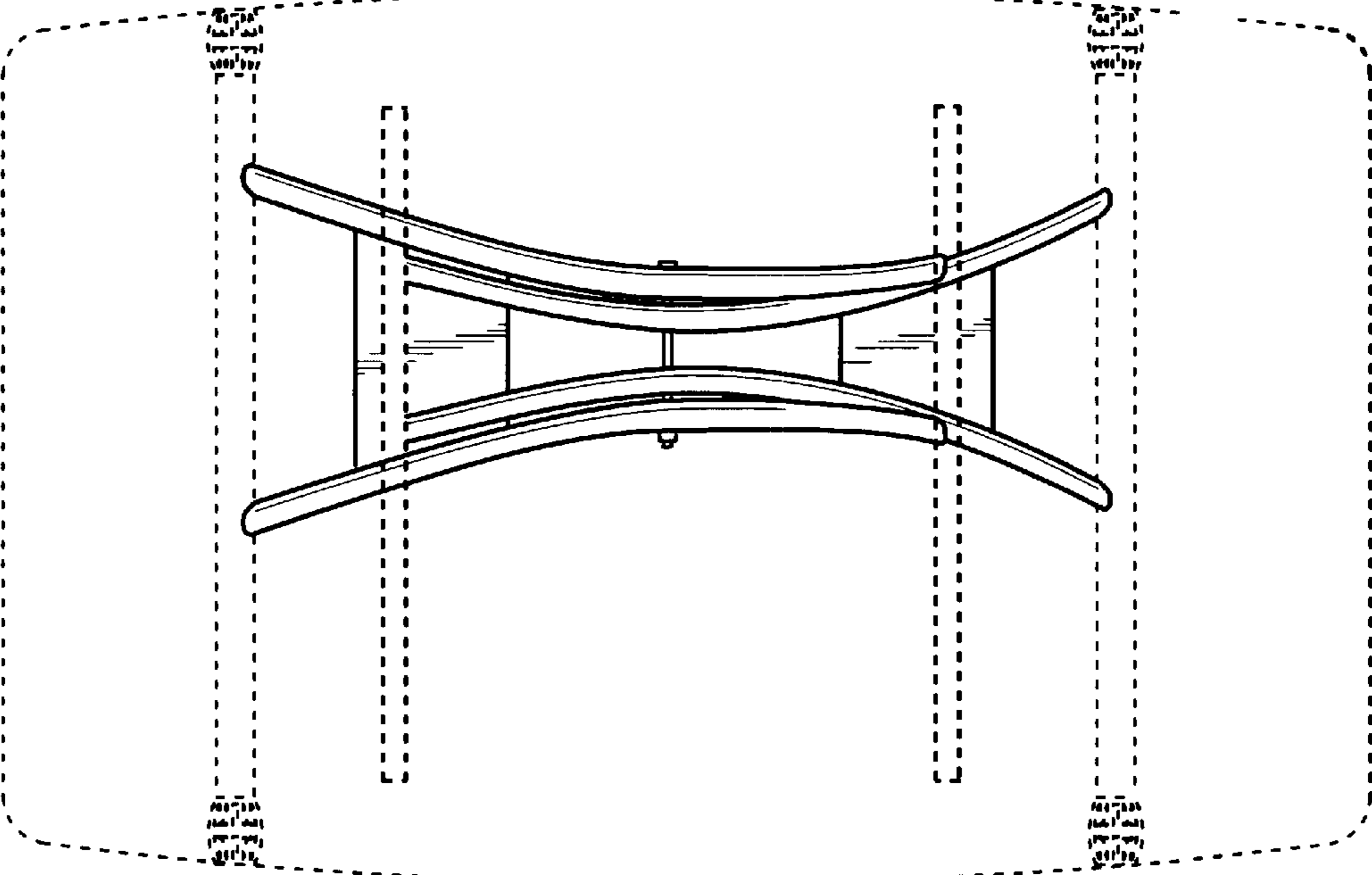
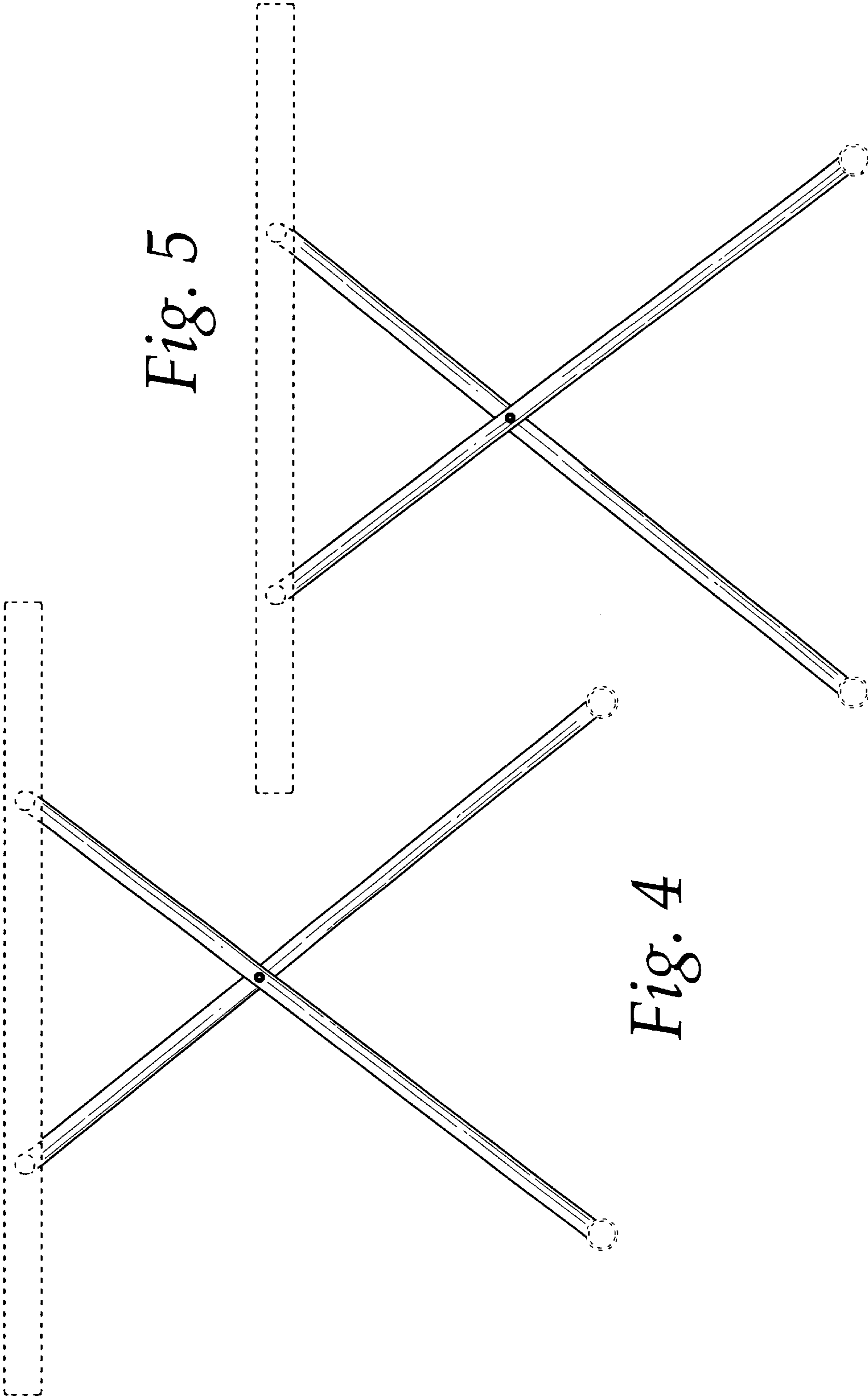


Fig. 3



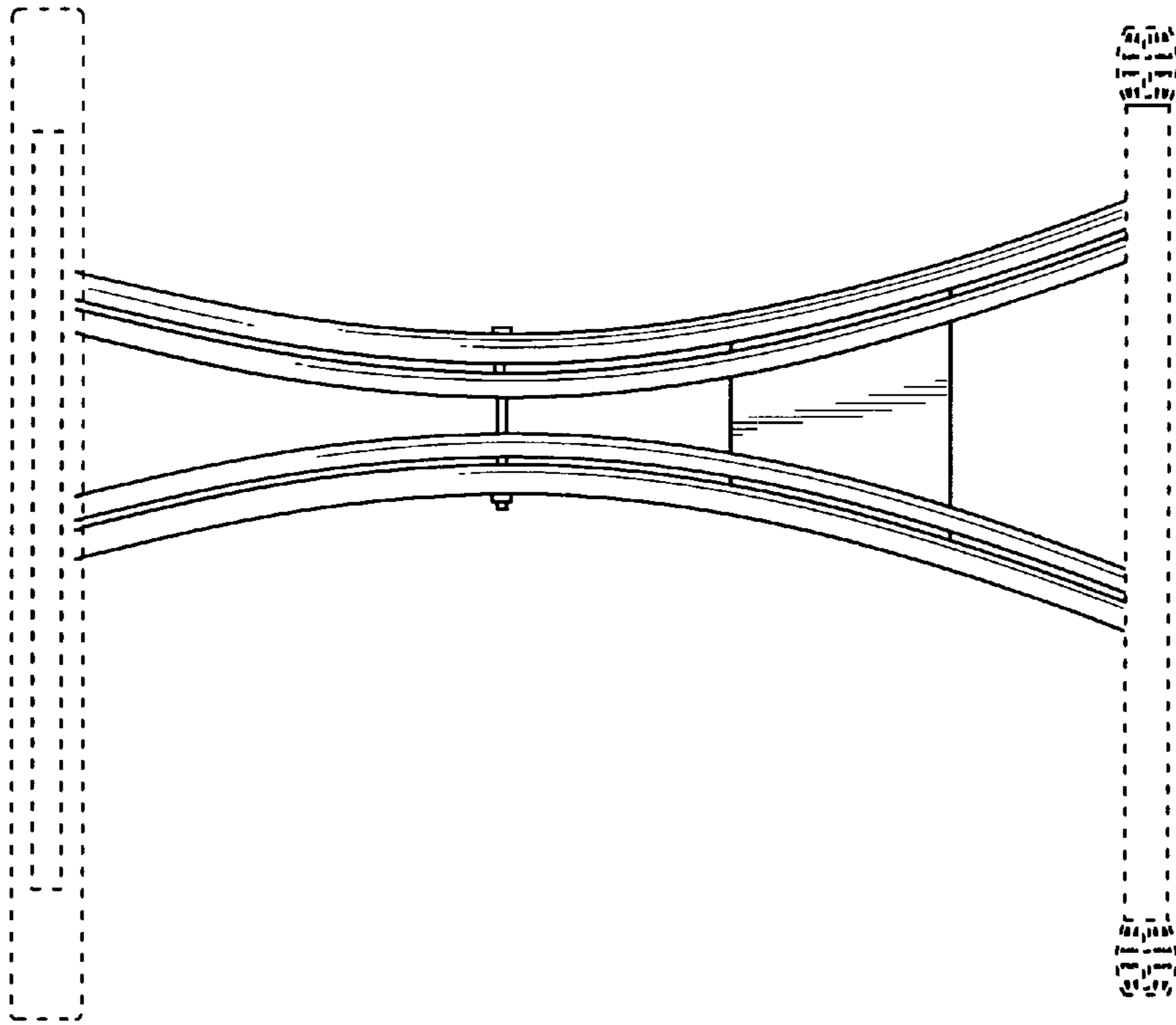


Fig. 7

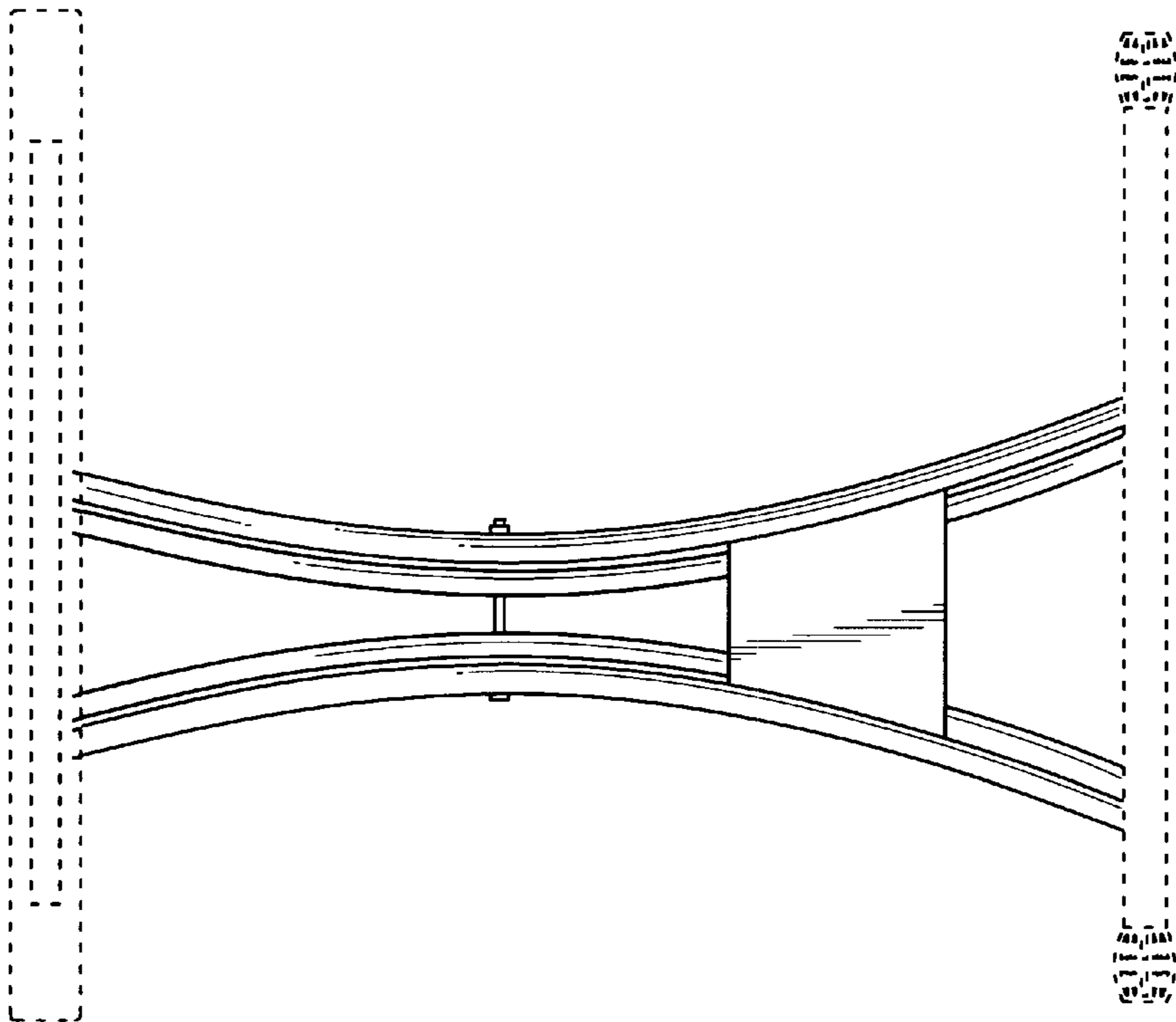


Fig. 6