

US00D497498S1

(12) **United States Design Patent**  
**Berg et al.**

(10) **Patent No.:** **US D497,498 S**  
(45) **Date of Patent:** **\*\* Oct. 26, 2004**

- (54) **MODULAR BOX FRAME**
- (75) Inventors: **Dan Berg**, Minneapolis, MN (US);  
**Jason Johnson**, Minneapolis, MN (US)
- (73) Assignee: **Skyline Displays, Inc.**, Eagan, MN (US)
- (\*\*) Term: **14 Years**

- 4,986,038 A 1/1991 Backer
- D317,469 S 6/1991 Beaulieu
- 5,115,623 A 5/1992 Ahlberg
- 5,119,613 A \* 6/1992 Atkinson et al. .... 52/646
- 5,123,550 A 6/1992 Nødskov et al.

(List continued on next page.)

- (21) Appl. No.: **29/195,868**
- (22) Filed: **Dec. 18, 2003**

**Related U.S. Application Data**

- (60) Division of application No. 29/157,105, filed on Mar. 12, 2002, which is a continuation-in-part of application No. 09/953,111, filed on Sep. 13, 2001, now Pat. No. 6,615,562, which is a continuation-in-part of application No. 09/953,099, filed on Sep. 13, 2001, now Pat. No. 6,659,159, which is a continuation-in-part of application No. 09/953,098, filed on Sep. 13, 2001, now Pat. No. 6,712,229, which is a continuation-in-part of application No. 09/953,113, filed on Sep. 13, 2001, now abandoned, which is a continuation-in-part of application No. 29/148,160, filed on Sep. 13, 2001, now Pat. No. Des. 471,726, which is a continuation-in-part of application No. 29/148,161, filed on Sep. 13, 2001, now Pat. No. Des. 472,719.

- (51) **LOC (7) Cl.** ..... **06-06**
- (52) **U.S. Cl.** ..... **D6/491; D6/495**
- (58) **Field of Search** ..... **D6/332, 491-495, D6/509-511; D25/58, 60; 52/633, 645, 646, 648.1**

(56) **References Cited**

**U.S. PATENT DOCUMENTS**

- D232,172 S 7/1974 Themis
- D236,868 S 9/1975 Levy
- D237,663 S 11/1975 Levy
- D250,378 S 11/1978 Woods
- D259,443 S \* 6/1981 James ..... D25/128
- 4,471,548 A 9/1984 Goudie
- 4,631,881 A 12/1986 Charman
- 4,658,560 A 4/1987 Beaulieu et al.
- 4,700,498 A 10/1987 Perutz et al.
- 4,922,669 A \* 5/1990 De Pas et al. .... 52/646

**OTHER PUBLICATIONS**

- Skyline Displays, Inc., *ps2000 brochure*, 2001.
- Skyline Displays, Inc., *imagine that. brochure*, 2000.
- Skyline Displays, Inc., *design ideas brochure*, 2000.
- Skyline Displays, Inc., *How Do You Market Your e-Business Offline? brochure*, 2001.
- Skyline Displays, Inc., *mirage plus brochure*, 2001.
- Skyline Displays, Inc., *skytruss brochure*, 2001.
- Trussworks, Truss Catalog web page printout, *Truss Parts*, Aug. 17, 2001.

(List continued on next page.)

*Primary Examiner*—Cathron Brooks  
(74) *Attorney, Agent, or Firm*—Patterson, Thuente, Skaar & Christensen, P.A.

(57) **CLAIM**

We claim the ornamental design for modular box frame, as shown and described.

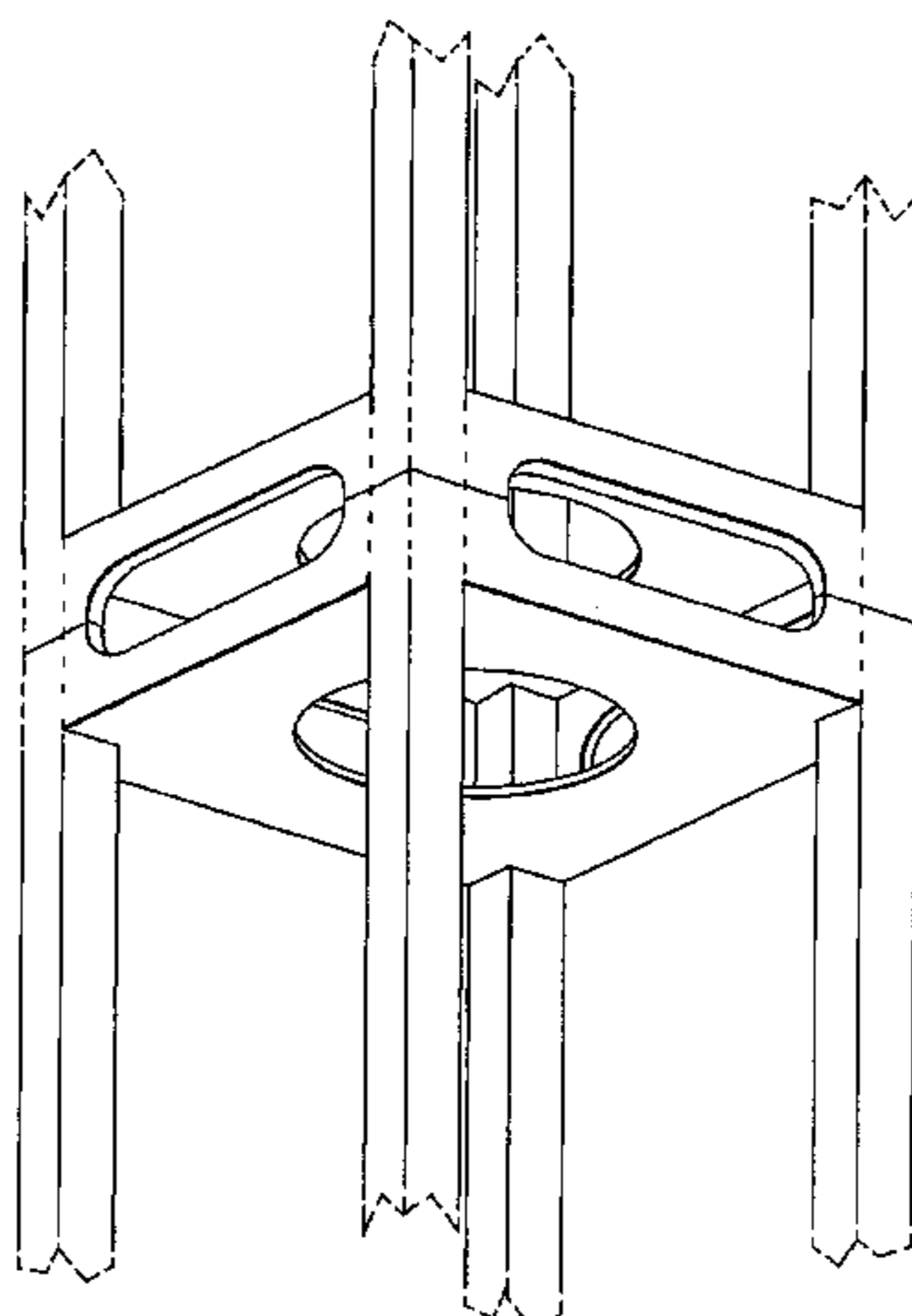
**DESCRIPTION**

FIG. 1 is a partial perspective view of a modular box frame according to an embodiment of the invention. Dashed lines indicate additional components and/or connectivity structure that are not part of the claimed design; and,

FIG. 2 is a perspective view of a modular box frame according to a further embodiment of the invention. Dashed lines indicate additional components and/or connectivity structure that are not part of the claimed design.

Due to the symmetry of the design, each of these perspective views are the same from both ends and all sides of the claimed invention. The perspective views of FIGS. 1-2 fully and completely disclose the appearance of the modular box frame design.

**1 Claim, 2 Drawing Sheets**



# US D497,498 S

Page 2

## U.S. PATENT DOCUMENTS

5,269,112 A 12/1993 Weinrub et al.  
5,323,836 A 6/1994 Tuttle et al.  
D354,818 S 1/1995 Johnson  
5,501,051 A 3/1996 Harlan  
5,537,766 A 7/1996 Nickens et al.  
5,561,960 A 10/1996 Minnick et al.  
D385,044 S 10/1997 Johnson  
5,711,131 A 1/1998 Thomas  
D392,753 S \* 3/1998 Kohlberger et al. .... D25/133  
5,822,945 A 10/1998 Muller  
6,079,178 A 6/2000 Fisher  
6,149,021 A 11/2000 Beaulieu  
6,158,187 A \* 12/2000 Nakajima ..... 52/646  
D446,659 S 8/2001 Ludwig et al.  
D455,016 S 4/2002 Newhouse  
6,419,331 B2 \* 7/2002 Wei ..... 312/265.1

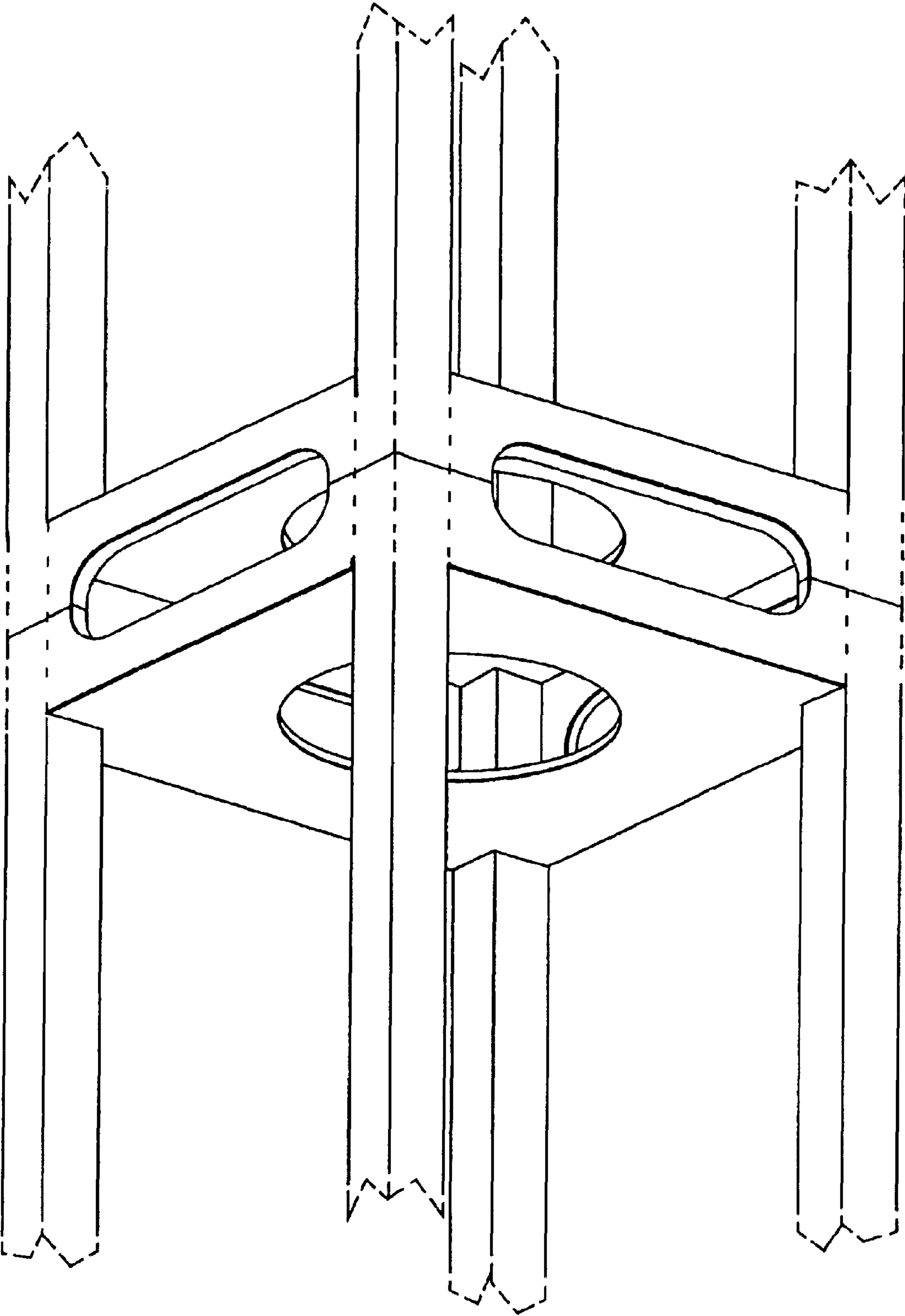
D471,726 S \* 3/2003 Berg et al. .... D6/332  
D472,719 S \* 4/2003 Berg et al. .... D6/332  
D482,204 S \* 11/2003 Berg et al. .... D6/332  
D482,877 S \* 12/2003 Berg et al. .... D6/332  
D485,995 S \* 2/2004 Berg et al. .... D6/332

## OTHER PUBLICATIONS

Trussworks, Truss Catalog web page printout, *Trussworks Photos, Graphics Frame*, p. 1, Aug. 17, 2001.  
Trussworks, Truss Catalog web page printout, *Trussworks Photos, Graphics Frame*, p. 2, Aug. 17, 2001.  
Trussworks, Truss Catalog web page printout, *Trussworks Photos, Exhibit Photos*, p. 1, Aug. 17, 2001.  
Trussworks, Truss Catalog web page printout, *Trussworks Photos, Graphics Frame*, p. 12 Aug. 17, 2001.

\* cited by examiner

**Fig. 1**



**Fig. 2**

