

US00D497496S1

(12) **United States Design Patent**
Stewart

(10) **Patent No.:** **US D497,496 S**
(45) **Date of Patent:** **** Oct. 26, 2004**

(54) **MEDIA CONSOLE**
(75) Inventor: **Donald R. Stewart**, Palos Verdes Estate, CA (US)
(73) Assignee: **Stewart Filmscreen Corp.**, Torrance, CA (US)
(**) Term: **14 Years**
(21) Appl. No.: **29/194,104**
(22) Filed: **Nov. 18, 2003**
(51) **LOC (7) Cl.** **06-04**
(52) **U.S. Cl.** **D6/443; D6/471; D6/336; D16/225; D16/235**
(58) **Field of Search** D6/432-448, 470, D6/471, 334, 336, 364; D14/128, 129; D16/225, 230, 232, 235; 312/7.2; 348/787, 788; 353/74, 75, 119

4,979,813 A 12/1990 Koga et al.
5,289,287 A 2/1994 Dargis et al.
5,315,395 A 5/1994 Nakao et al.
D366,975 S * 2/1996 Kaga D6/470
5,491,585 A 2/1996 Dolgoff
D379,274 S * 5/1997 Ati et al. D6/436
5,640,215 A 6/1997 Catta
D382,002 S 8/1997 Hix et al.
D409,217 S * 5/1999 Bilar et al. D14/128
D411,774 S * 7/1999 Hafstrom D6/436
D421,620 S 3/2000 Kawamoto et al.
D433,048 S 10/2000 Ikenaga et al.
6,164,780 A 12/2000 Noto et al.
6,219,183 B1 4/2001 Doany
D449,634 S 10/2001 Gotham et al.
D449,635 S 10/2001 Gotham et al.
D449,636 S 10/2001 Gotham et al.
D467,561 S * 12/2002 Kosciolk D14/129

* cited by examiner

Primary Examiner—Cathron Brooks
(74) *Attorney, Agent, or Firm*—Fenwick and West LLP

(56) **References Cited**
U.S. PATENT DOCUMENTS

1,653,743 A 12/1927 Stegmann
D111,140 S * 9/1938 Granquist D6/436
2,299,393 A 10/1942 Johnson et al.
2,482,031 A 9/1949 Rose
D202,230 S * 9/1965 Bjornlie et al. D16/226
3,561,860 A 2/1971 Rudolph
3,781,102 A 12/1973 Chandler
3,804,504 A 4/1974 Scott
3,807,847 A 4/1974 Okano
3,885,868 A 5/1975 Hadzimihalis
D249,527 S * 9/1978 Stralka D16/225
D252,932 S * 9/1979 Felder D16/225
4,245,256 A 1/1981 Kokubo et al.
D261,963 S 11/1981 Miller
D267,180 S * 12/1982 Kiesow et al. D16/225
4,417,273 A 11/1983 Kloss
4,479,144 A 10/1984 Yamazaki et al.
4,730,919 A 3/1988 Schuch

(57) **CLAIM**

The ornamental design for a media console, as shown and described.

DESCRIPTION

FIG. 1 is a front, left perspective view of the media console, showing my ornamental design.
FIG. 2 is a front elevation view of the media console.
FIG. 3 is a left elevation view of the media console; the right side view is substantially identical.
FIG. 4 is a rear elevation view of the media console.
FIG. 5 is a top plan view of the media console.
FIG. 6 is a bottom plan view of the media console; and,
FIG. 7 is a second embodiment of FIG. 2, the only difference being in lower portion of the front surface showing two shelves, it being understood that all other surfaces are the same as those of the first embodiment.

1 Claim, 3 Drawing Sheets

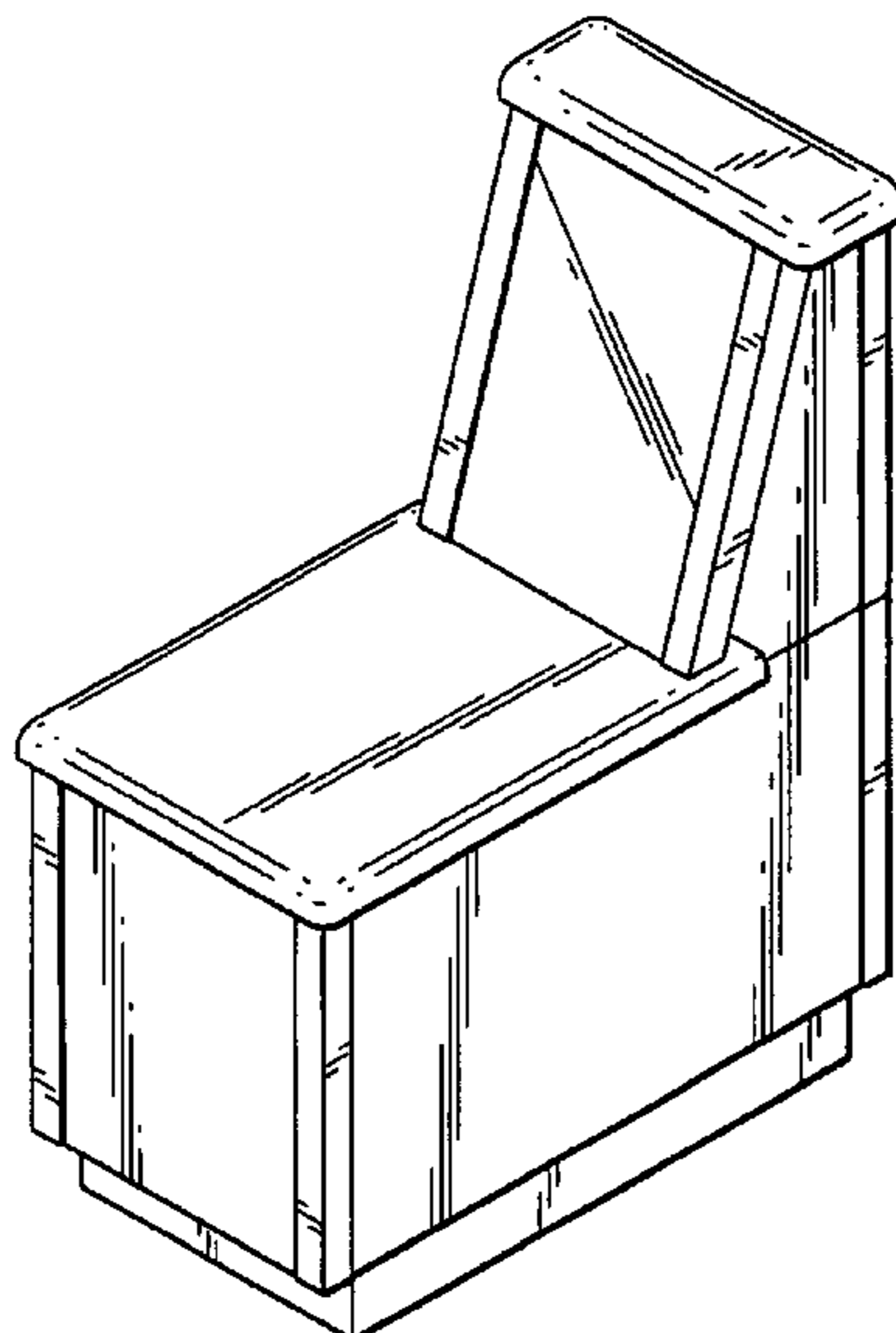


FIG. 1

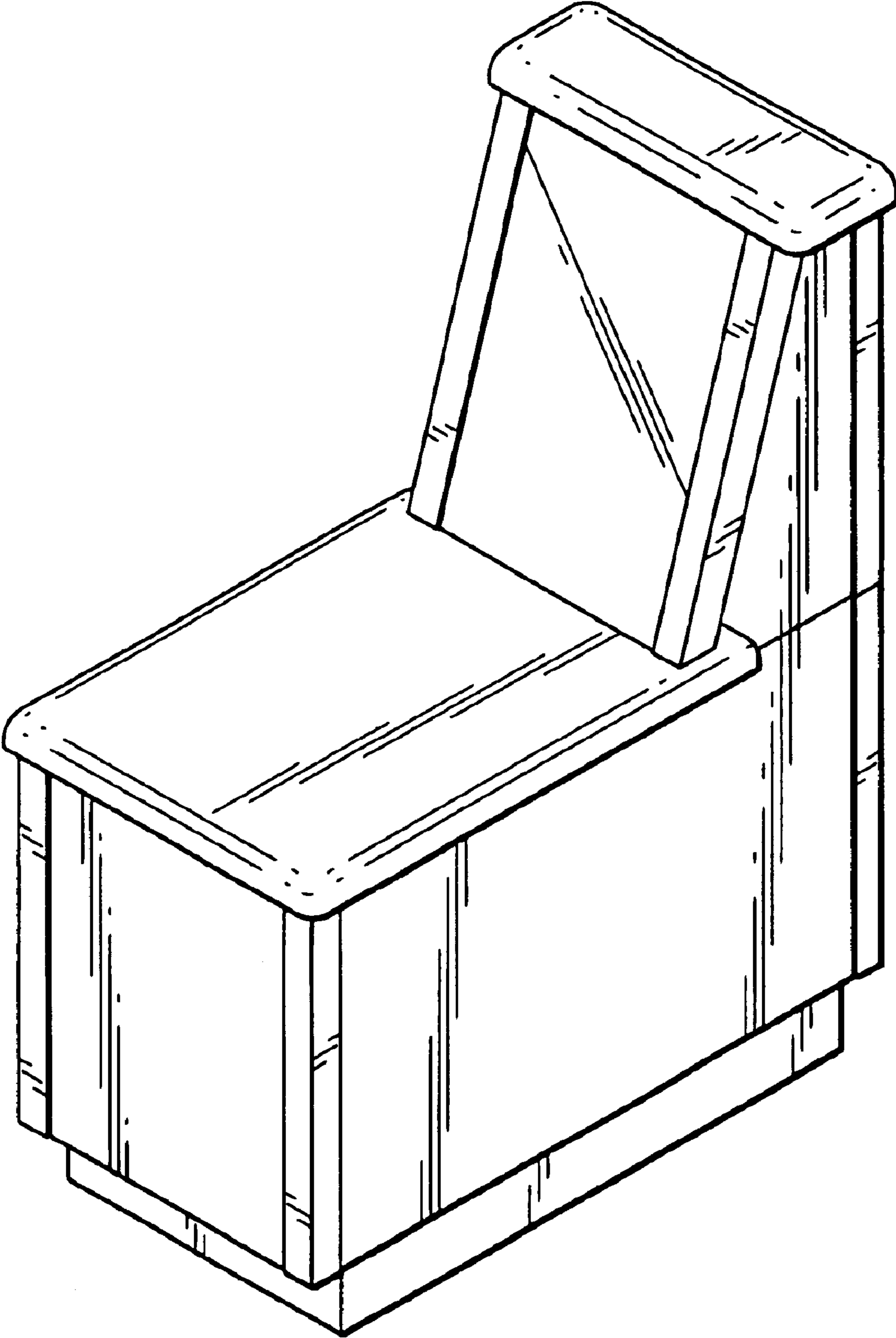


FIG. 2

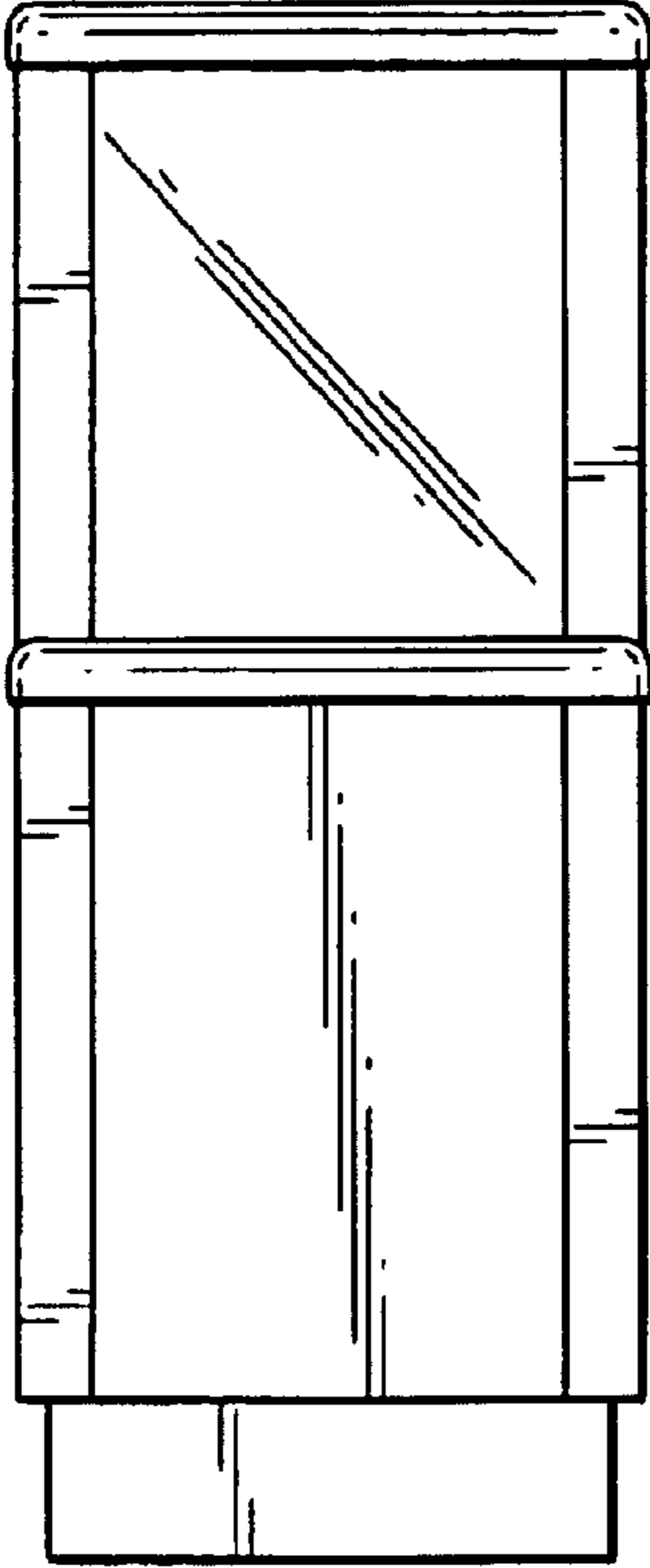


FIG. 3

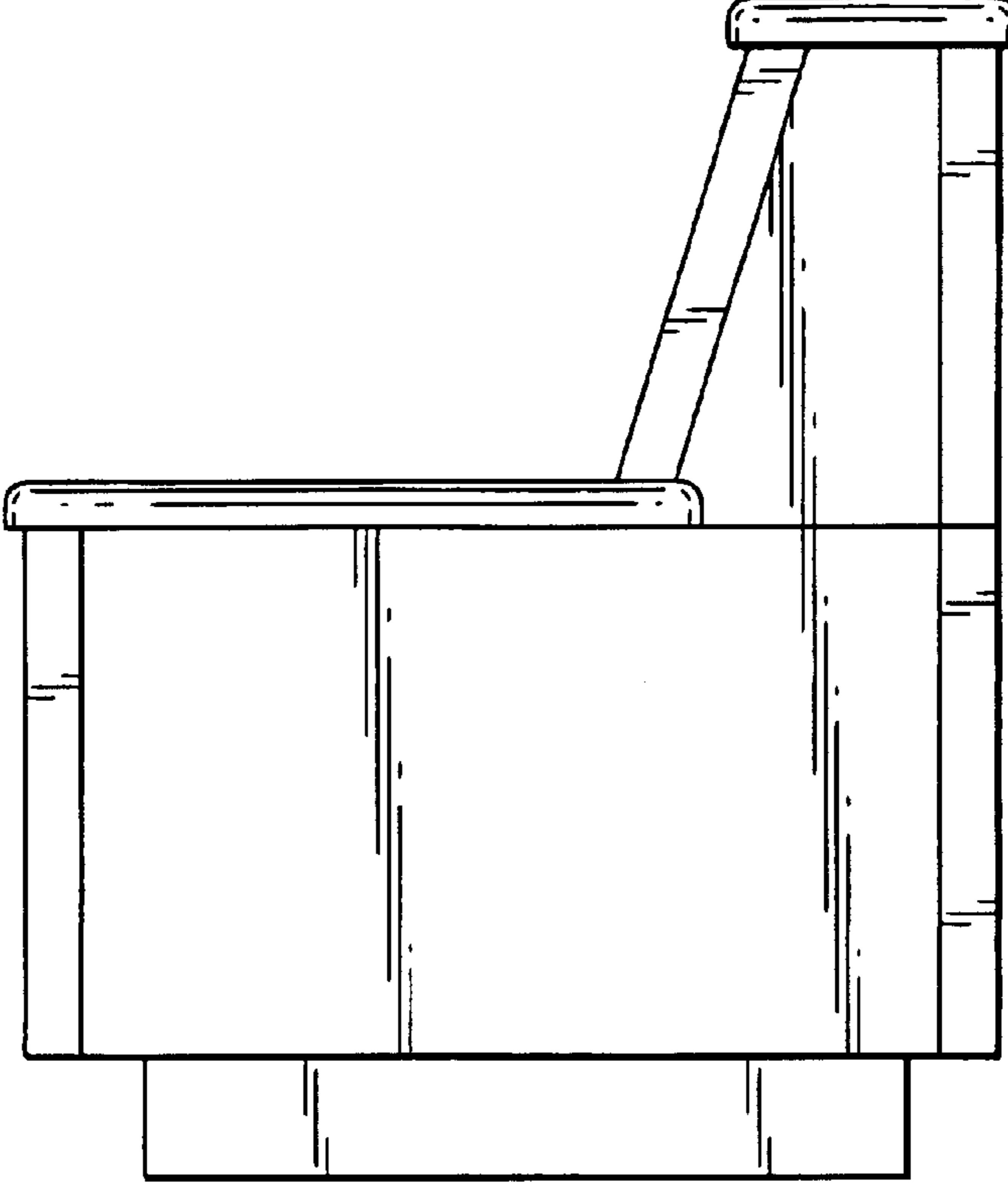


FIG. 4

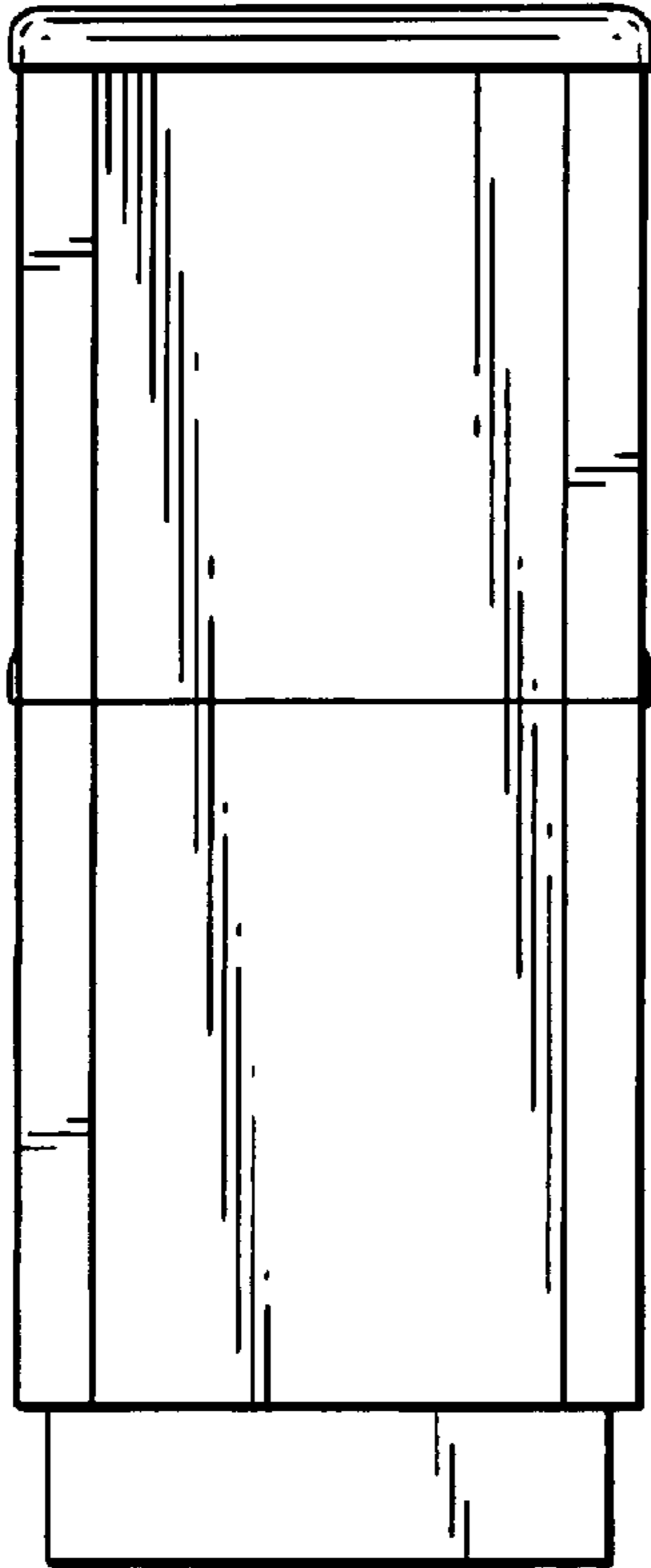


FIG. 5

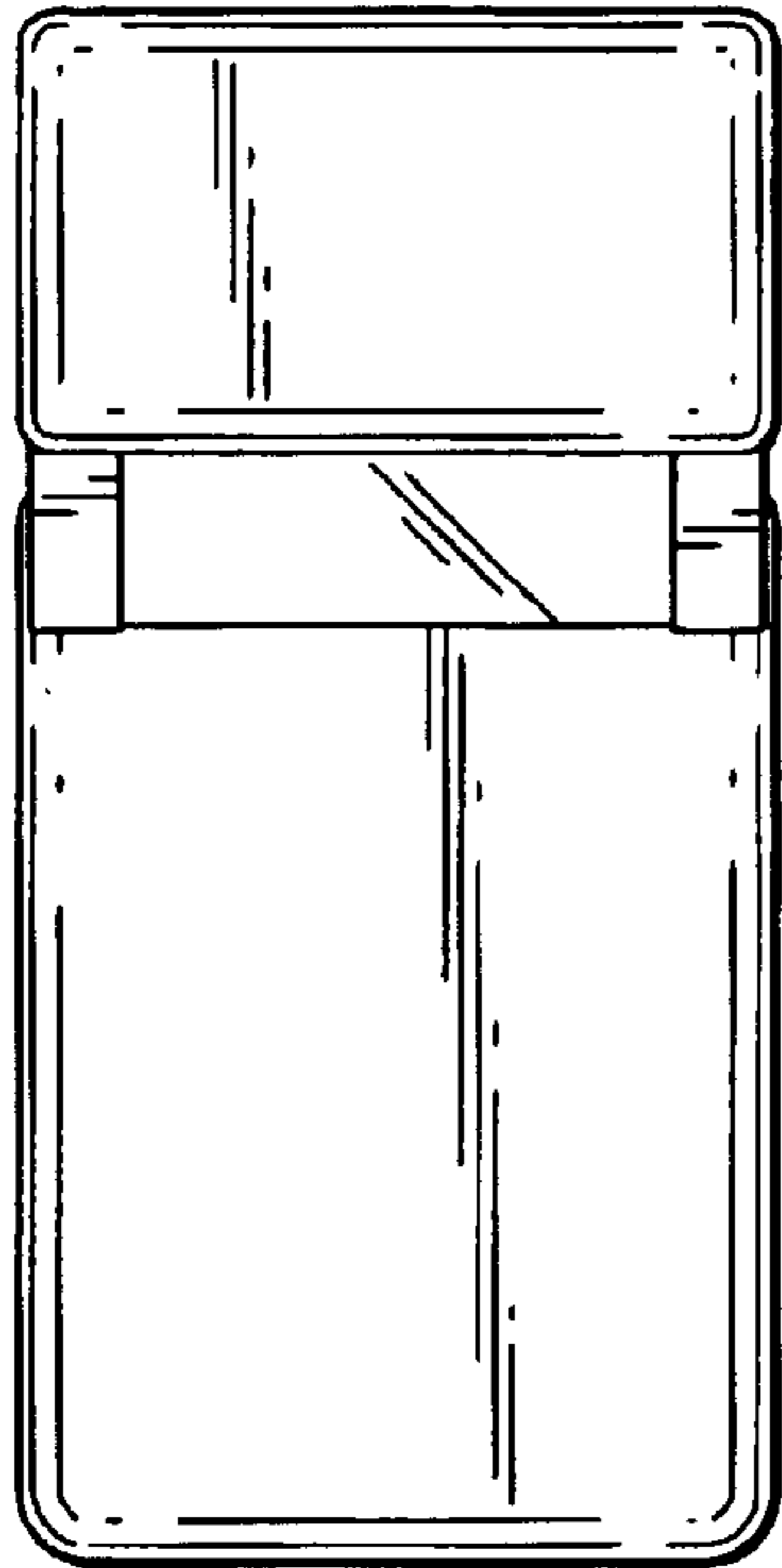


FIG. 6

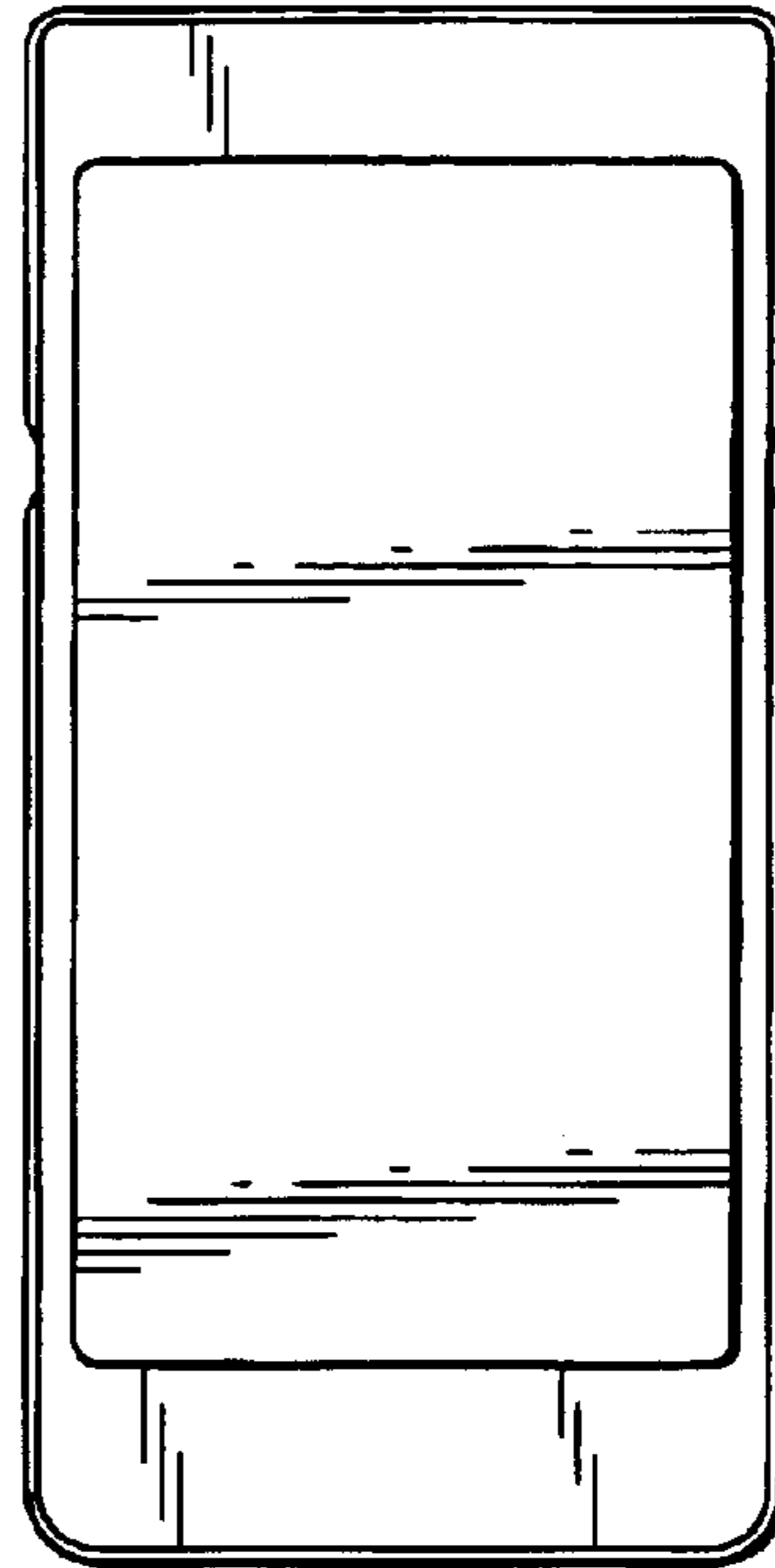


FIG. 7

