

US00D497493S1

(12) **United States Design Patent**
Chen

(10) **Patent No.:** **US D497,493 S**

(45) **Date of Patent:** **** Oct. 26, 2004**

(54) **BEAUTY STEAMING-BED**

(76) **Inventor:** **Eng-Lan Chen**, 4F, No. 18, Alley 6,
Lane 117, San-Ming Rd., Hsin-Tien
City, Taipei Hsien (TW)

(**) **Term:** **14 Years**

(21) **Appl. No.:** **29/192,867**

(22) **Filed:** **Oct. 31, 2003**

(51) **LOC (7) Cl.** **06-01**

(52) **U.S. Cl.** **D6/382; D6/392**

(58) **Field of Search** **D6/382, 392-395;**
5/606, 652.1, 652.2; 607/83; 4/524, 535,
536; D24/204

(56) **References Cited**

U.S. PATENT DOCUMENTS

5,425,753 A * 6/1995 Wege et al. 607/83
D403,524 S * 1/1999 Dotson D6/382

* cited by examiner

Primary Examiner—Janice E. Seeger

(74) *Attorney, Agent, or Firm*—Troxell Law Offices PLLC

(57) **CLAIM**

The ornamental design for a beauty steaming-bed, as shown and described.

DESCRIPTION

FIG. 1 is a perspective view of a beauty steaming-bed showing my design;

FIG. 2 is a front plan view thereof;

FIG. 3 is a rear plan view thereof;

FIG. 4 is a left elevation view thereof;

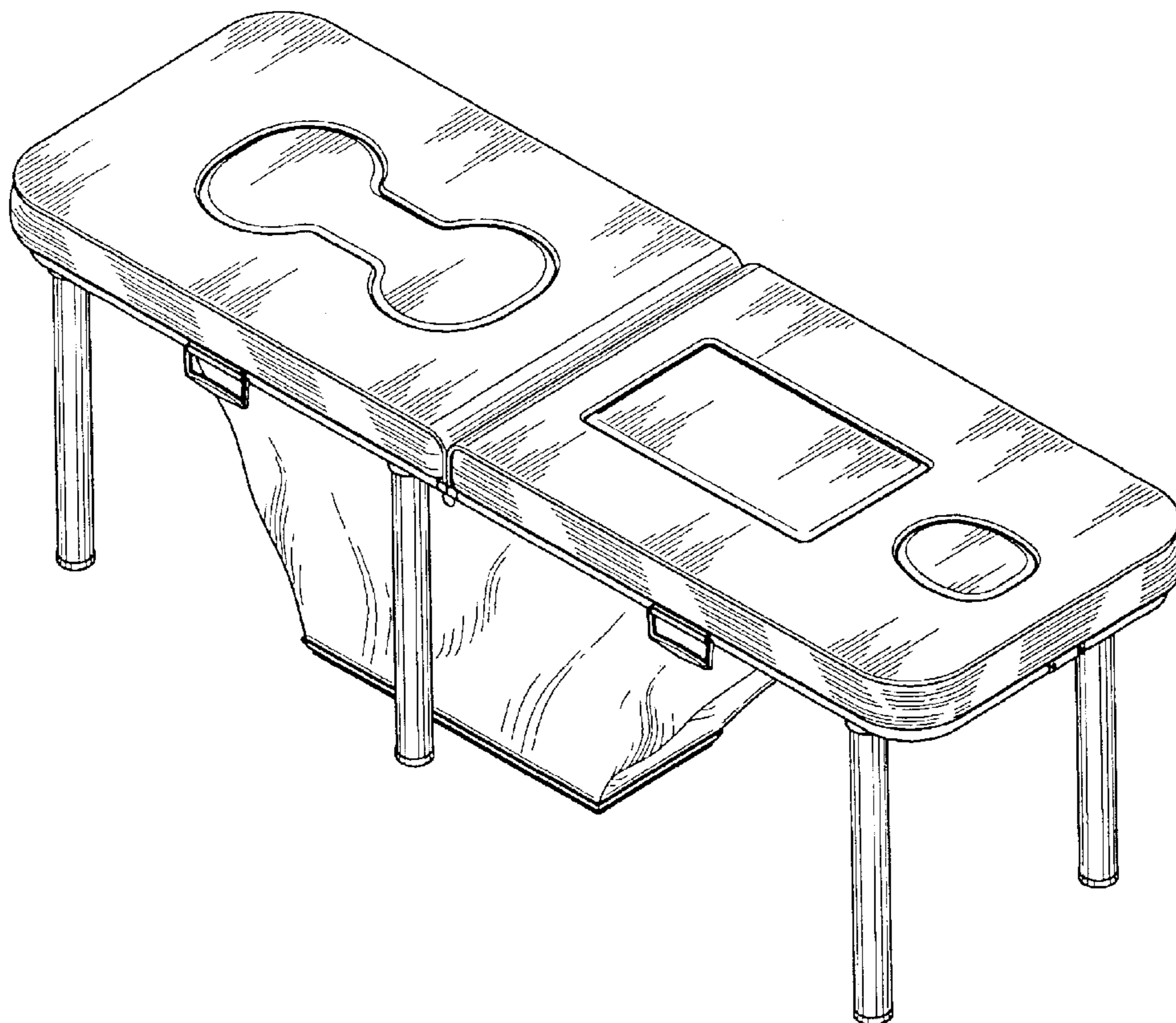
FIG. 5 is a right elevation view thereof;

FIG. 6 is a top side elevation view thereof;

FIG. 7 is a bottom side elevation view thereof; and,

FIG. 8 is a perspective view of my new design with the coverings are taken off from the openings.

1 Claim, 5 Drawing Sheets



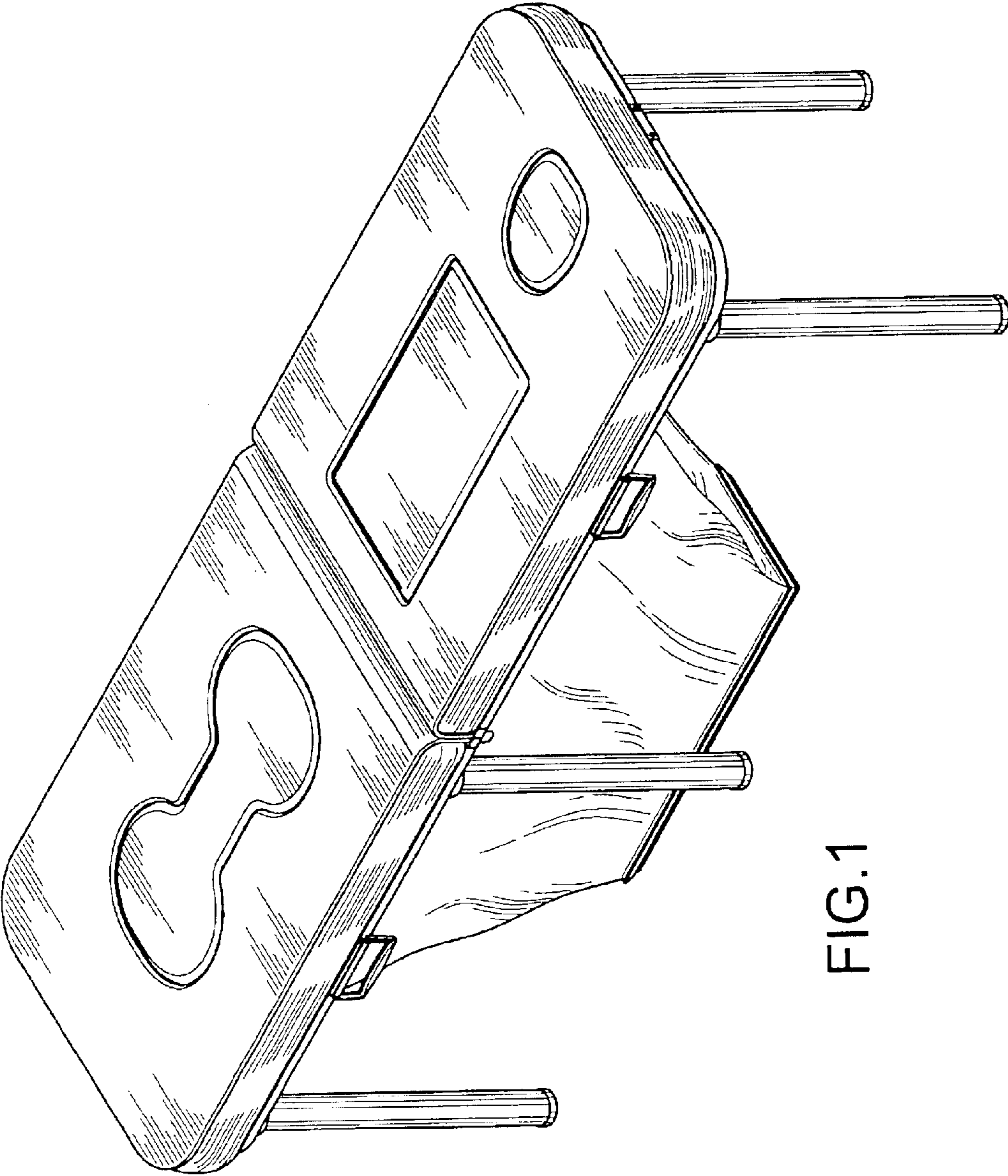


FIG.1

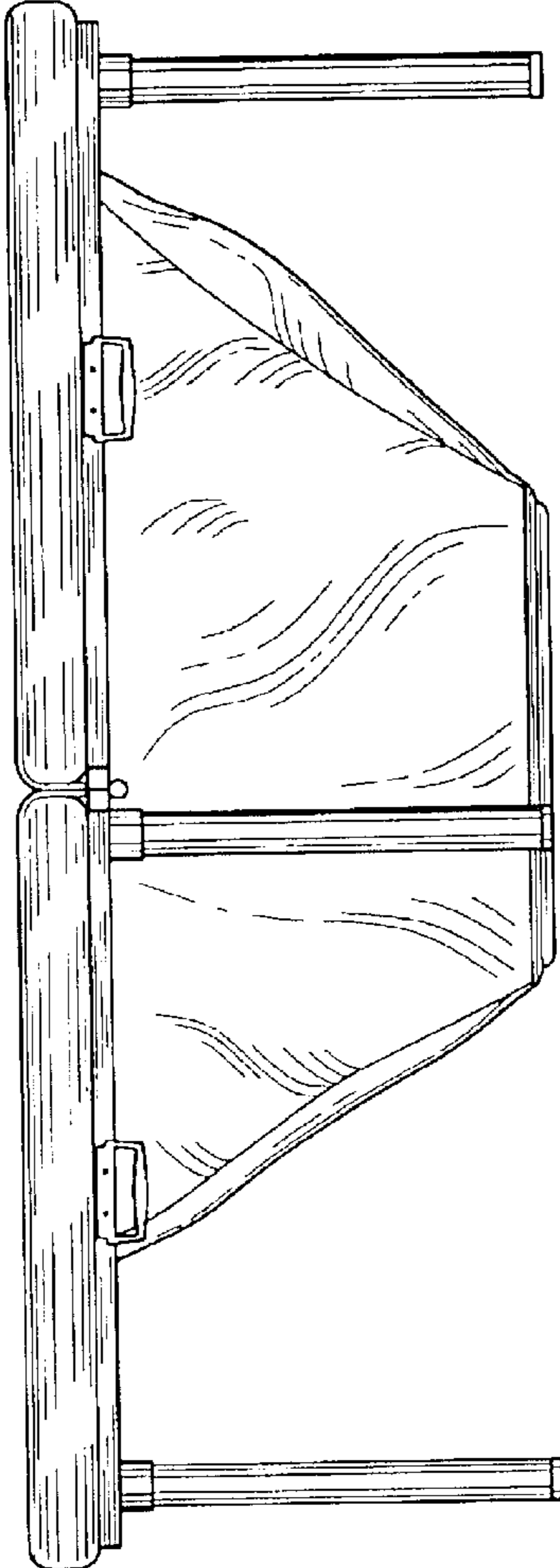


FIG. 2

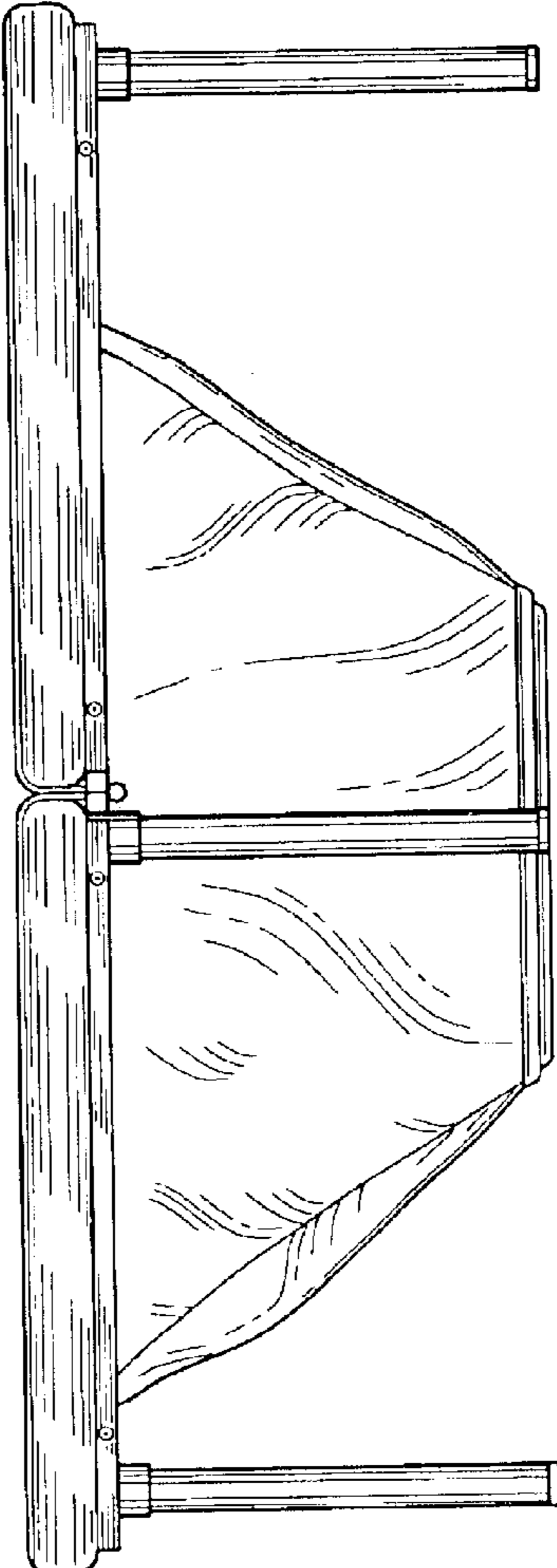


FIG. 3

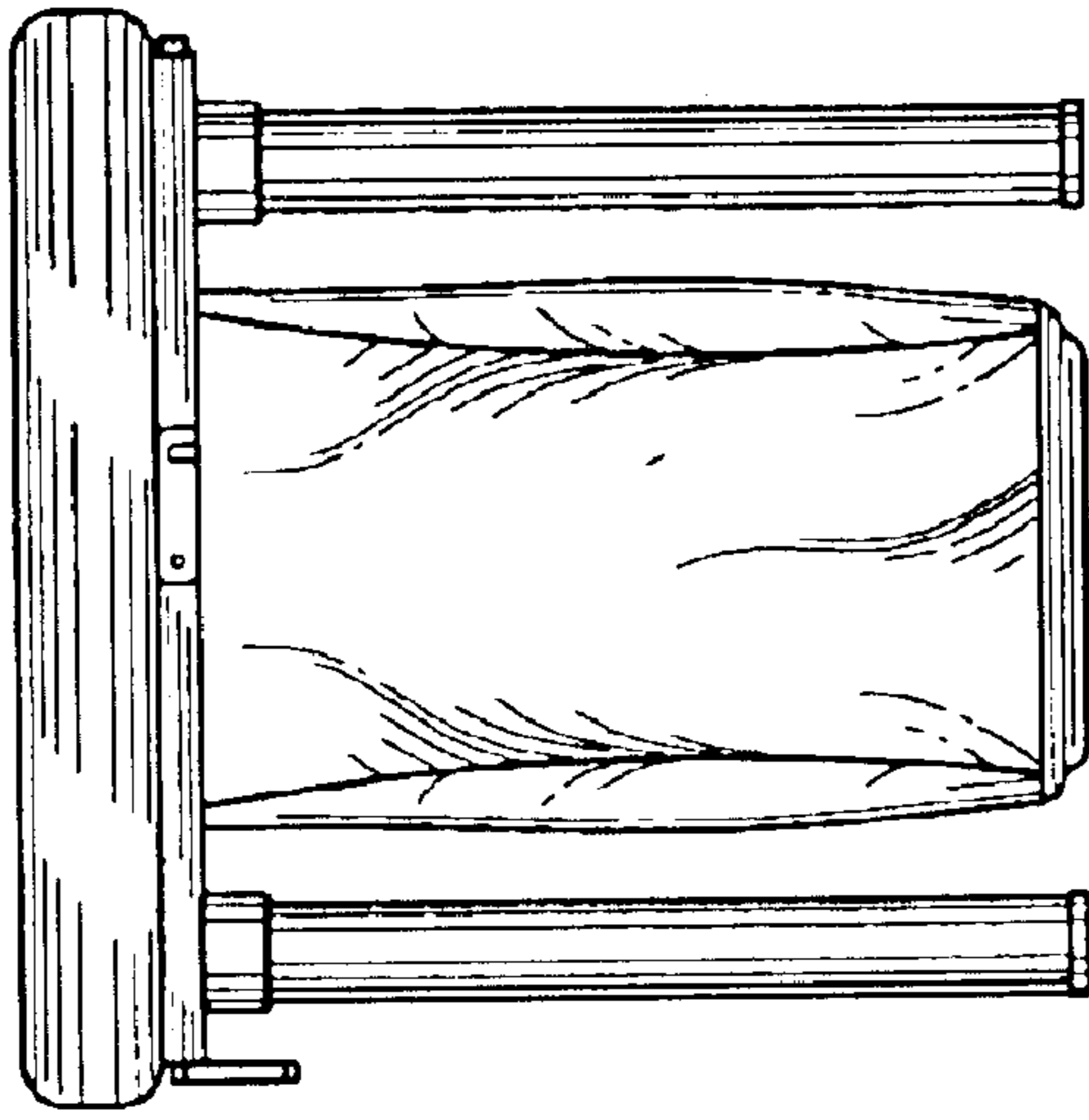


FIG.5

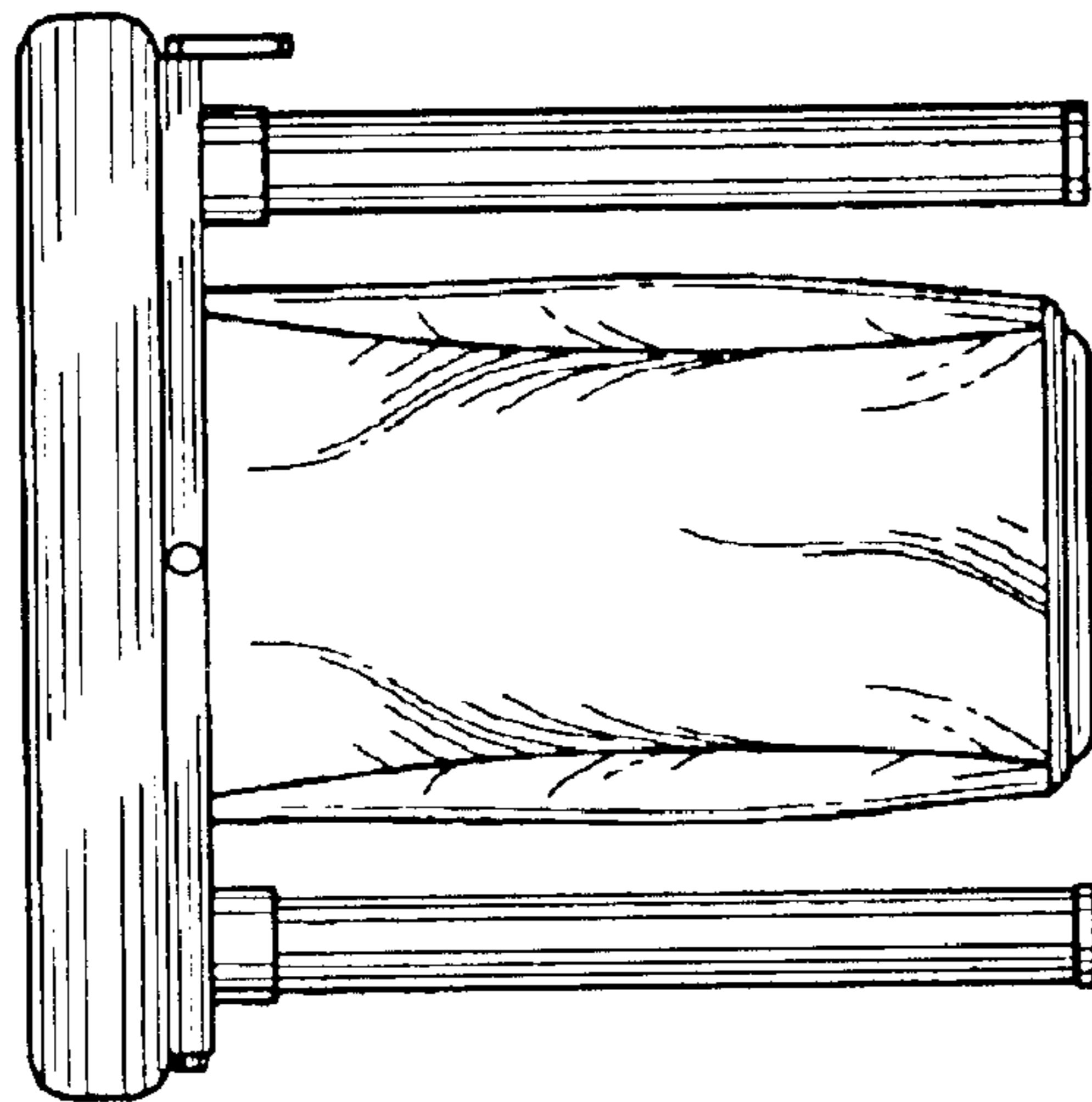


FIG.4

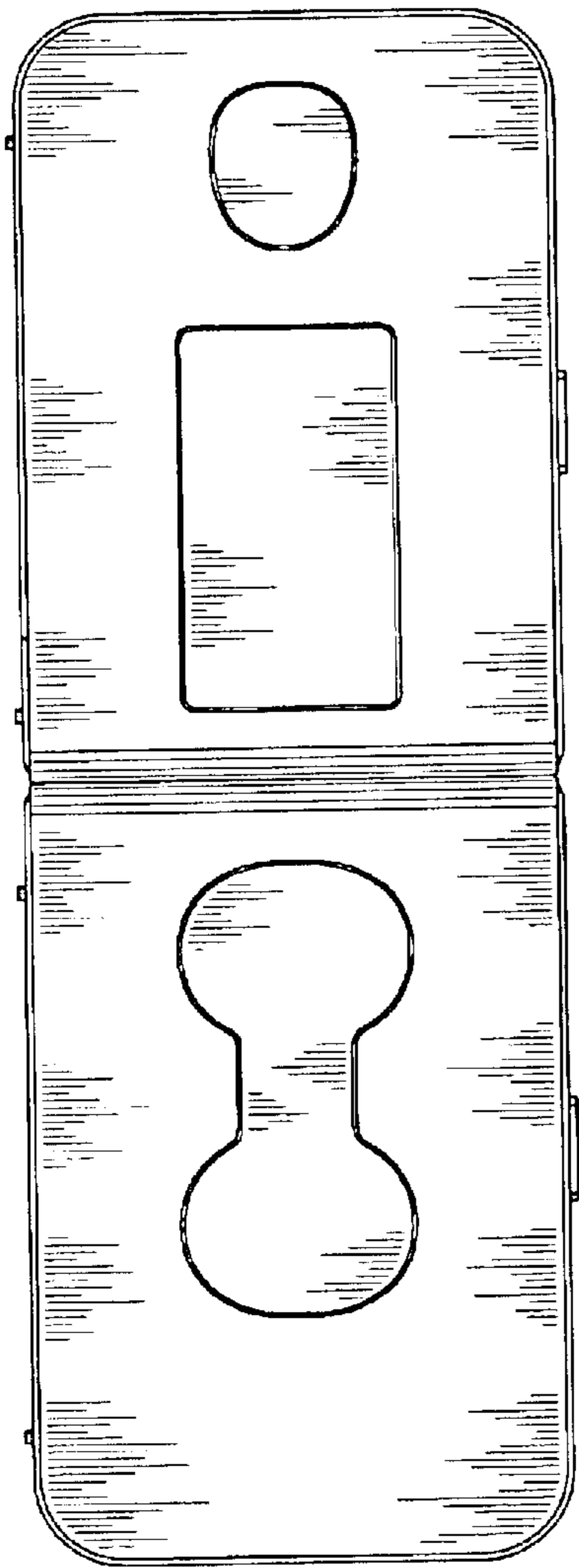


FIG. 6

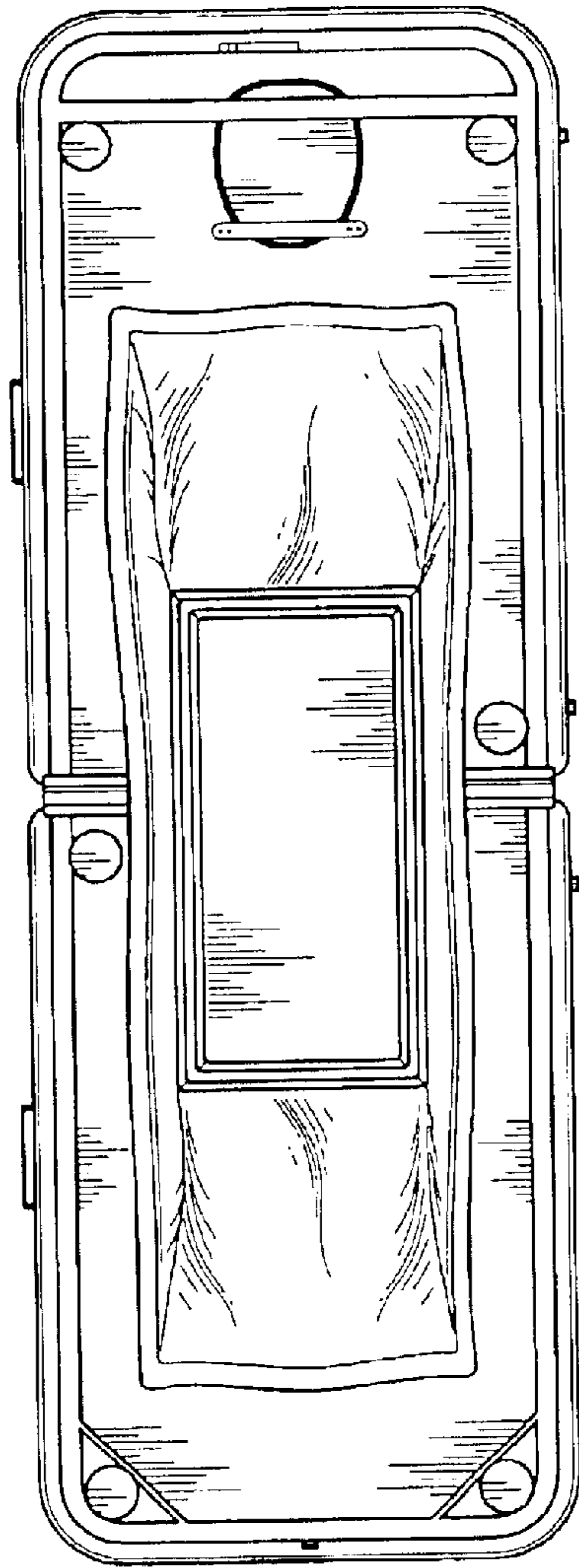


FIG. 7

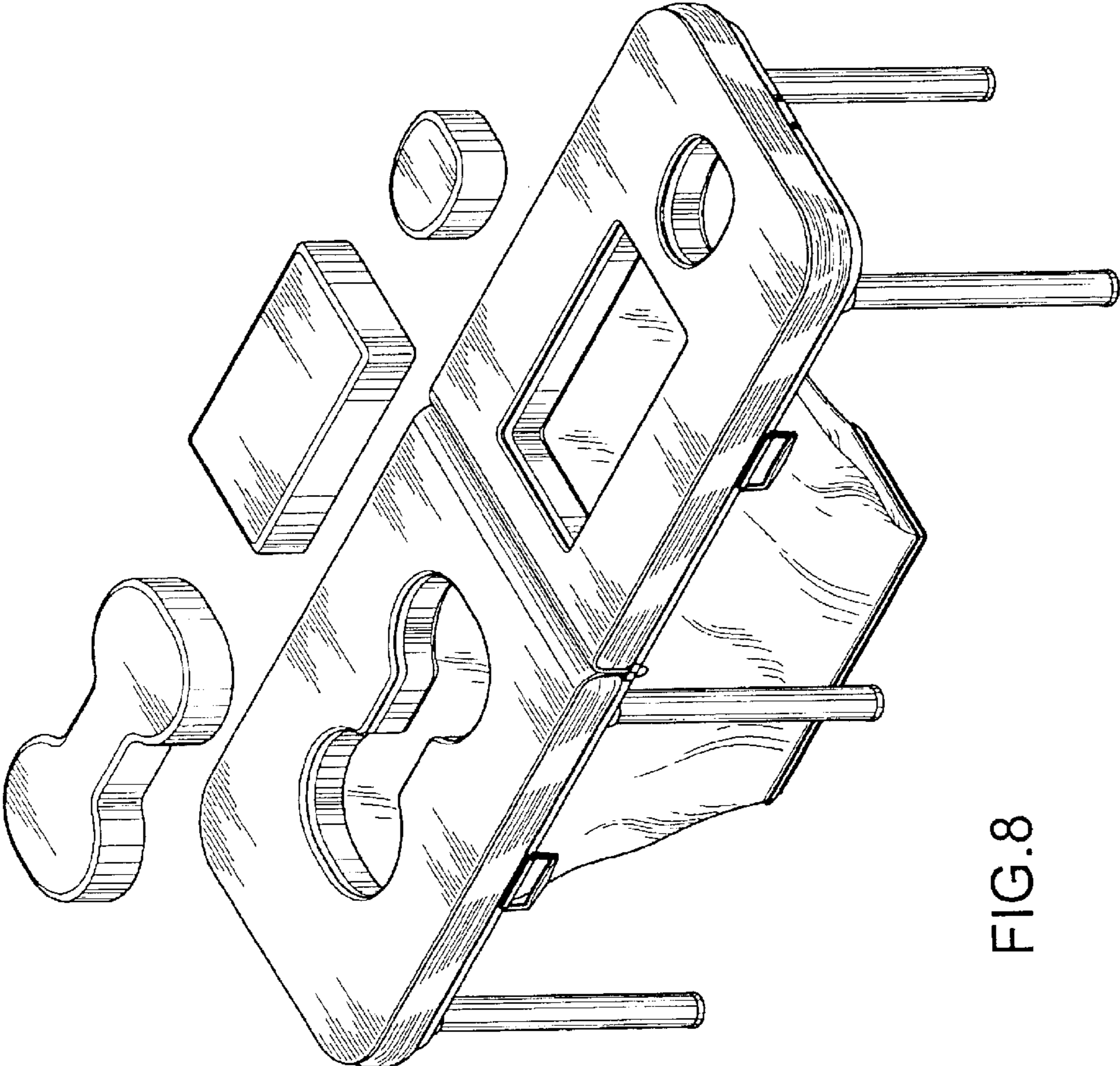


FIG.8