



US00D497490S1

(12) **United States Design Patent**
Socha, Jr. et al.

(10) **Patent No.:** **US D497,490 S**
(45) **Date of Patent:** **** Oct. 26, 2004**

(54) **CHAIR**

(75) Inventors: **David J. Socha, Jr.**, Toledo, OH (US);
William F. Lohness, Jonesville, MI
(US)

(73) Assignee: **Michigan Tube Swagers &
Fabricators, Inc.**, Temperance, MI
(US)

(**) Term: **14 Years**

(21) Appl. No.: **29/193,471**

(22) Filed: **Nov. 10, 2003**

(51) **LOC (7) Cl.** **06-01**

(52) **U.S. Cl.** **D6/370**

(58) **Field of Search** D6/334, 370, 374,
D6/376, 379, 380, 500, 501, 502; 297/445.1,
446.1

(56) **References Cited**

U.S. PATENT DOCUMENTS

- D18,833 S * 1/1889 Matzen D6/335
- D82,338 S * 10/1930 McArthur, Jr. D6/370
- D121,072 S * 6/1940 Johnson D6/370
- D171,003 S * 12/1953 Molla D6/380

- D372,134 S * 7/1996 Martin D6/376
- D386,322 S * 11/1997 Maury D6/370
- D396,359 S * 7/1998 Jiang D6/370
- D419,323 S * 1/2000 Muller D6/370
- D464,821 S * 10/2002 Chiang D6/370

* cited by examiner

Primary Examiner—Gary D. Watson

(74) *Attorney, Agent, or Firm*—Gifford, Krass, Groh &
Citkowski, PC

(57) **CLAIM**

The ornamental design for chair, as shown and described.

DESCRIPTION

FIG. 1 is a side elevational view of a chair according to the present invention, the opposite side being a mirror image thereof;

FIG. 2 is a front elevational view of the chair of FIG. 1; FIG. 3 is a rear elevational view of the chair of FIGS. 1 and 2;

FIG. 4 is a top plan view of the chair of FIGS. 1–3; and, FIG. 5 is a bottom view of the chair of FIGS. 1–4.

The broken line shown in FIGS. 1–5 are for environmental purposes only and form no part of the claimed design.

1 Claim, 4 Drawing Sheets

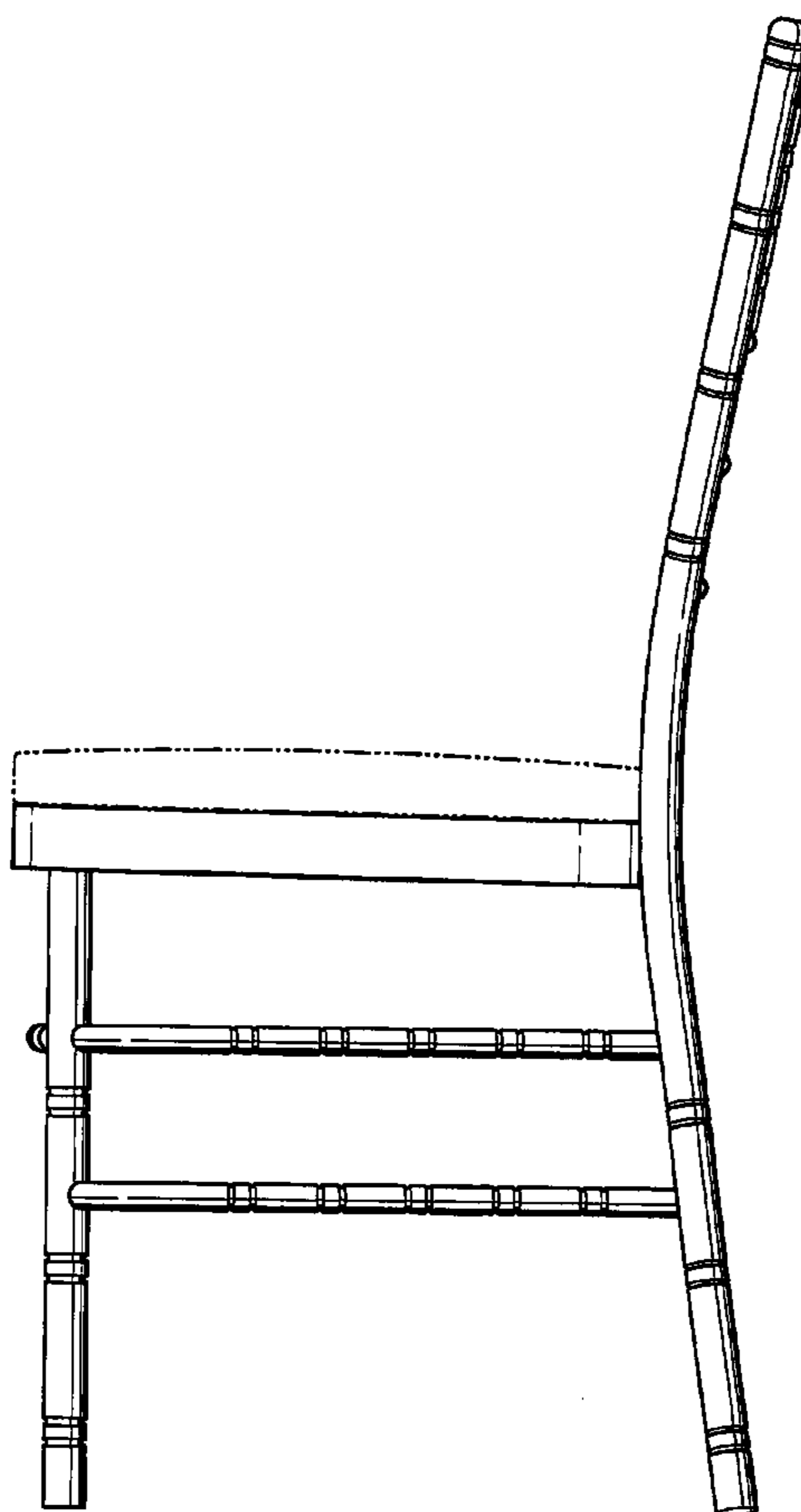
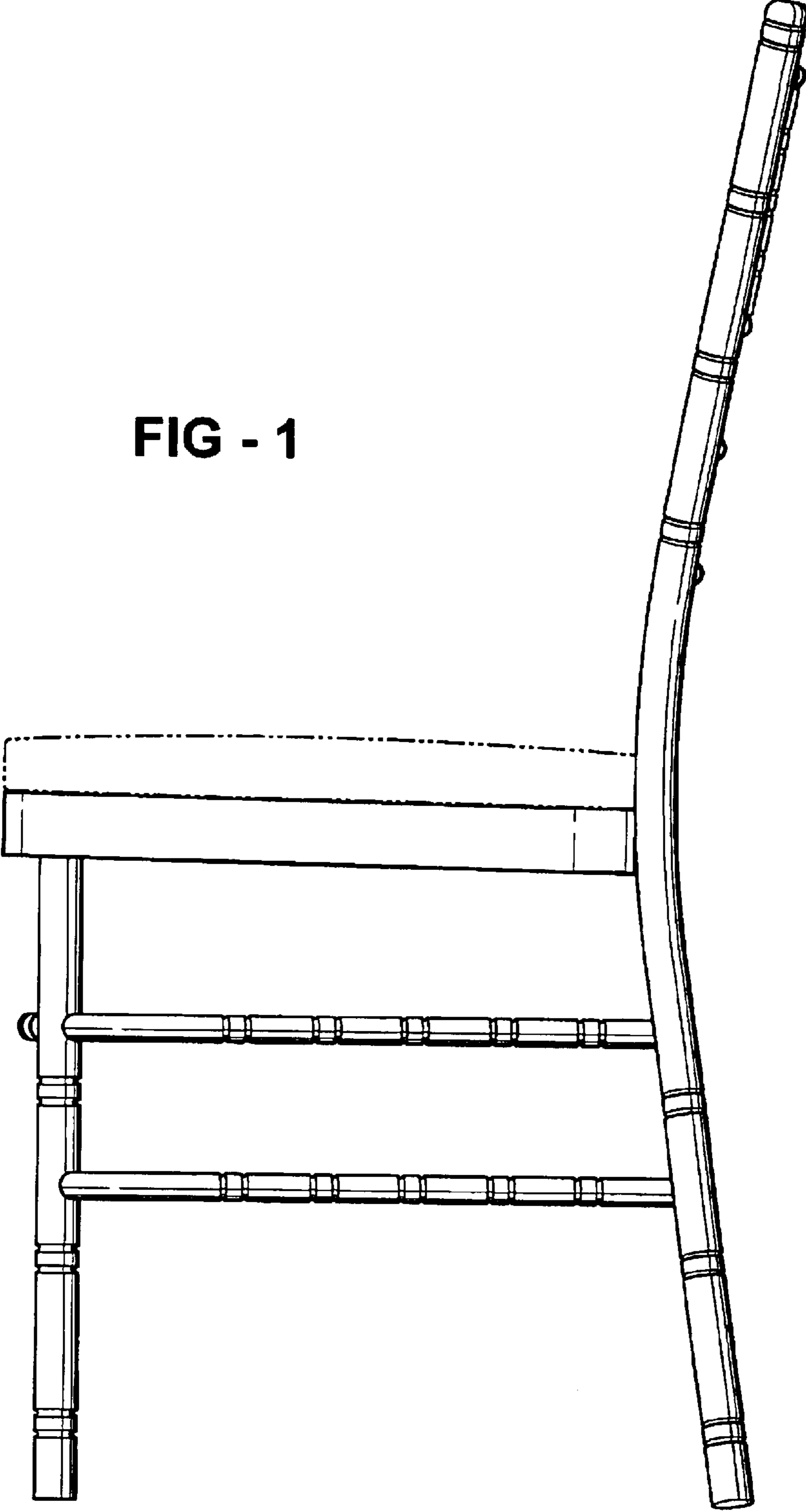


FIG - 1



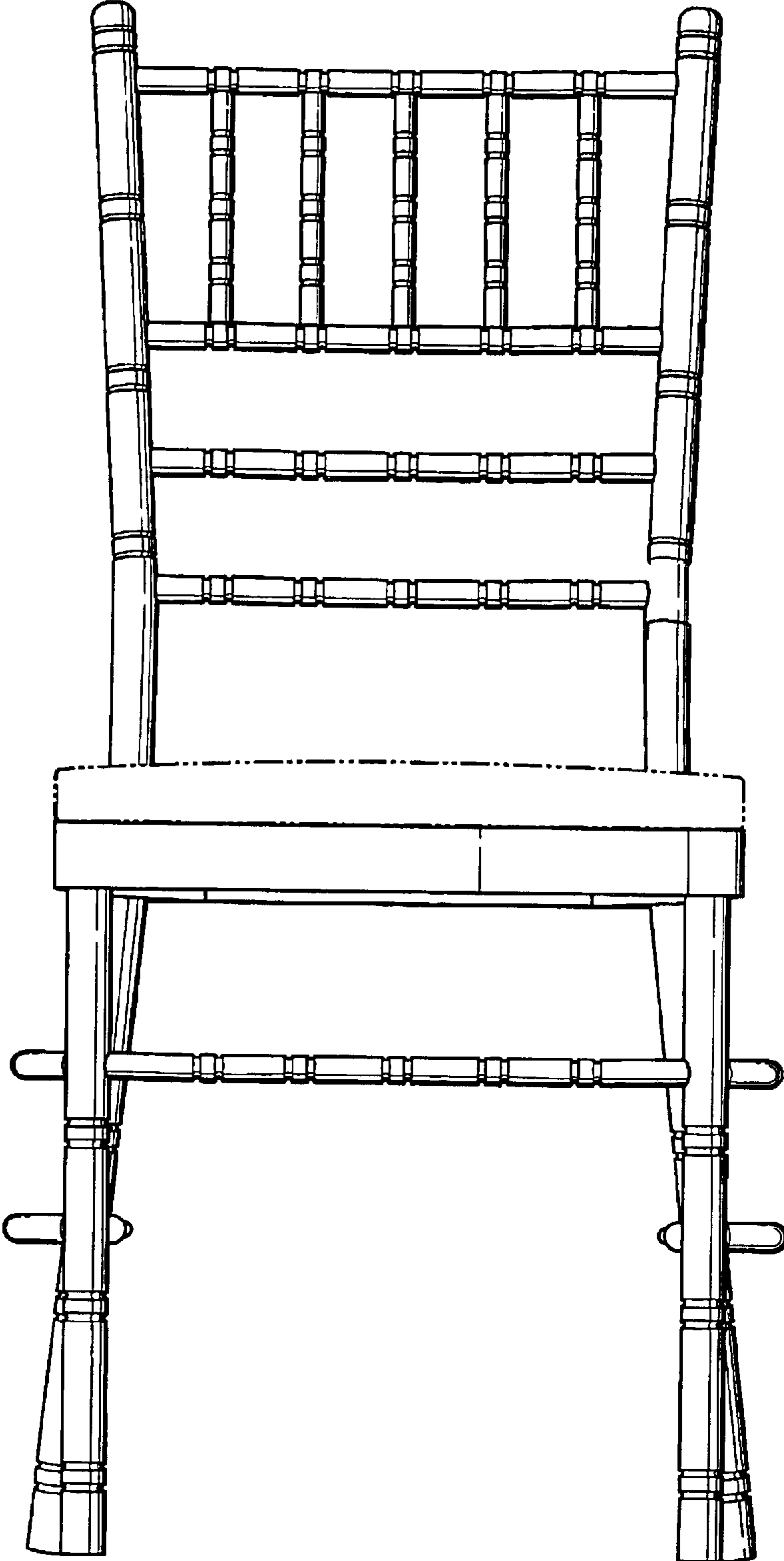


FIG - 2

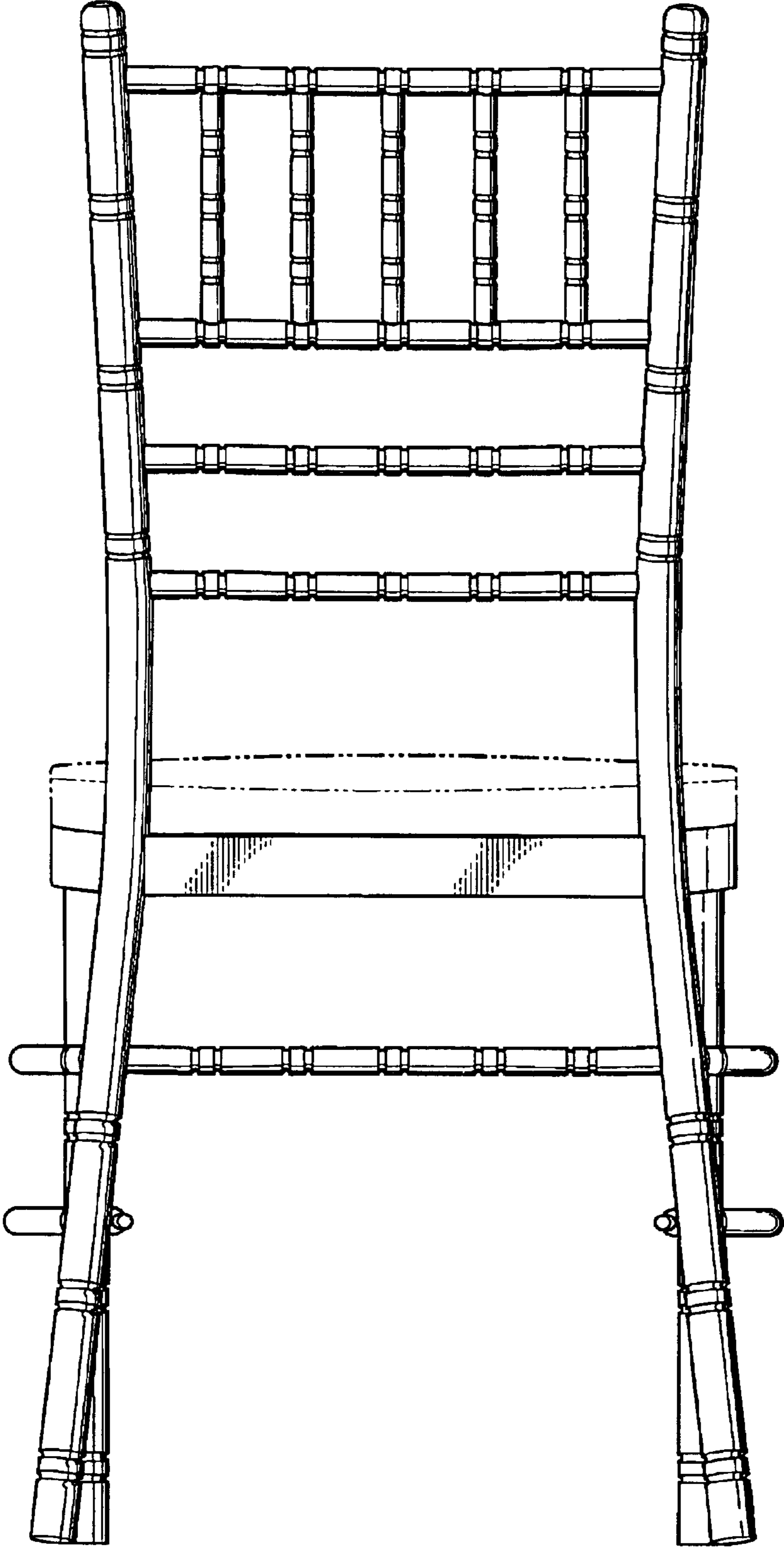


FIG - 3

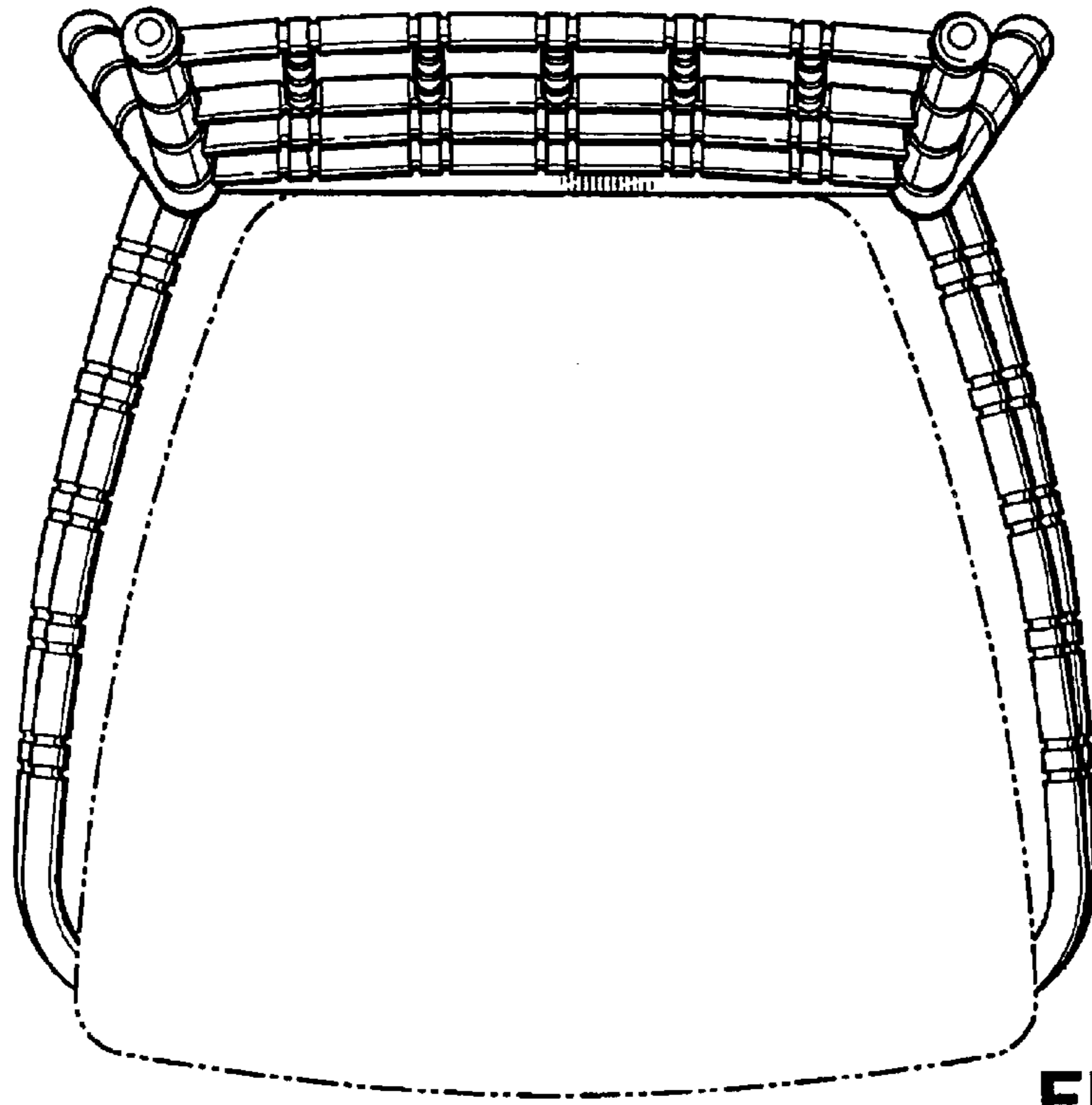


FIG - 4

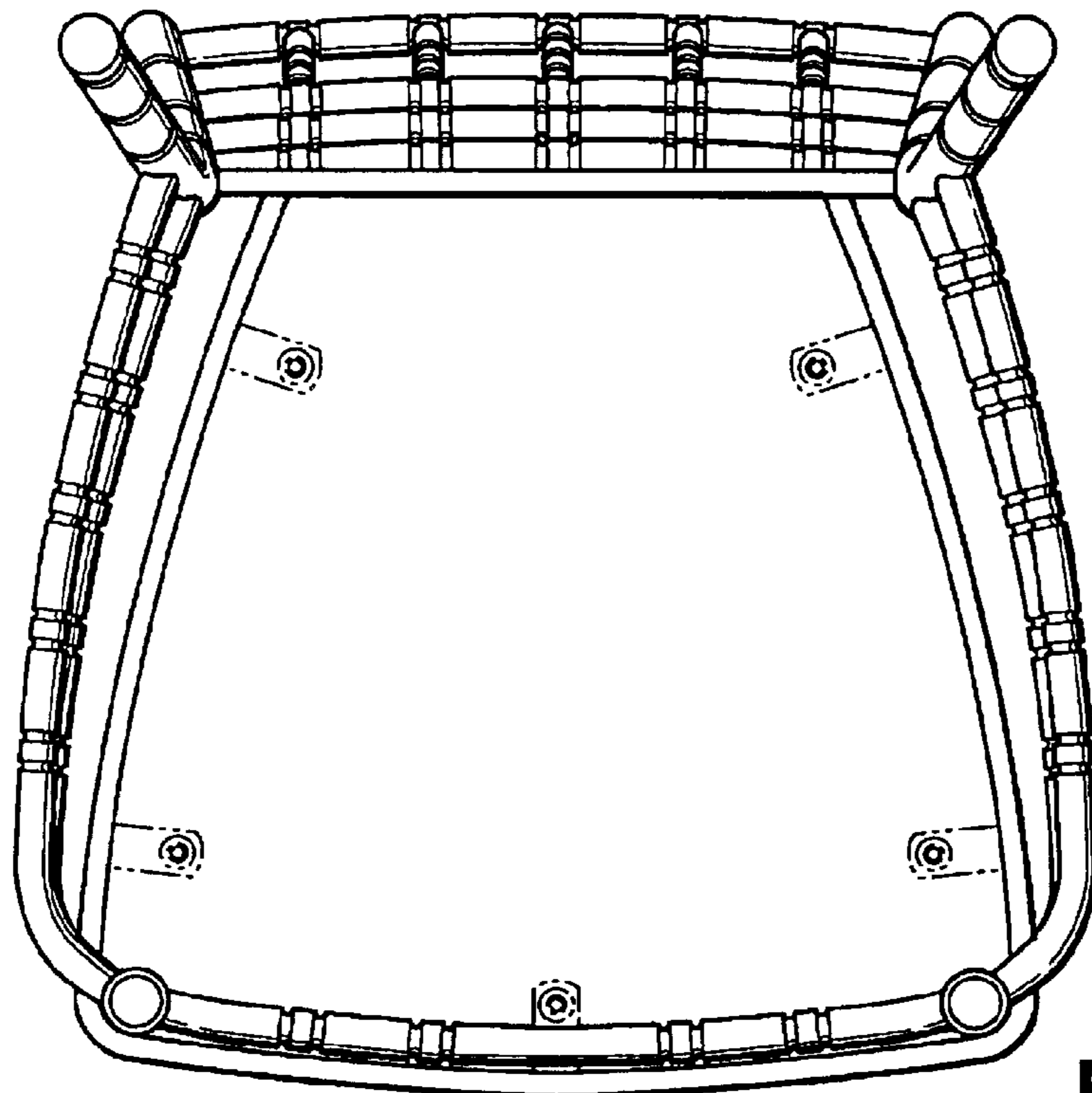


FIG - 5