

US00D497487S1

(12) **United States Design Patent**
Azumi et al.

(10) **Patent No.:** **US D497,487 S**
(45) **Date of Patent:** **** Oct. 26, 2004**

(54) **DESK WITH CHAIR**
(76) Inventors: **Shin Azumi**, Unit 7, Raybridge House,
15 Mount Pleasant Hill, London (GB),
E5 9NB; **Tomoko Azumi**, Unit 7,
Raybridge House, 15 Mount Pleasant
Hill, London (GB), E5 9NB

(**) **Term:** **14 Years**

(21) **Appl. No.:** **29/183,224**

(22) **Filed:** **Jun. 10, 2003**

(30) **Foreign Application Priority Data**

Dec. 11, 2002 (GB) 3009369

(51) **LOC (7) Cl.** **06-01**

(52) **U.S. Cl.** **D6/338**

(58) **Field of Search** D6/334, 335, 336,
D6/337, 338, 374, 375, 376, 486, 487,
500-502; 297/135, 144, 170, 172, 173,
174 R

(56) **References Cited**

U.S. PATENT DOCUMENTS

367,037 A * 7/1887 Gough et al. 297/172

1,209,254 A * 12/1916 Blizzard 297/172
D159,975 S * 9/1950 Gilkison D6/338
3,366,415 A * 1/1968 Cooper 297/135
3,990,741 A * 11/1976 Snyder et al. D6/336
5,169,210 A * 12/1992 Fricano 297/170
D379,874 S * 6/1997 Stirling et al. D6/338
6,065,802 A * 5/2000 Bue 297/174 R

* cited by examiner

Primary Examiner—Mimosa De

(74) *Attorney, Agent, or Firm*—Dowell & Dowell, P.C.

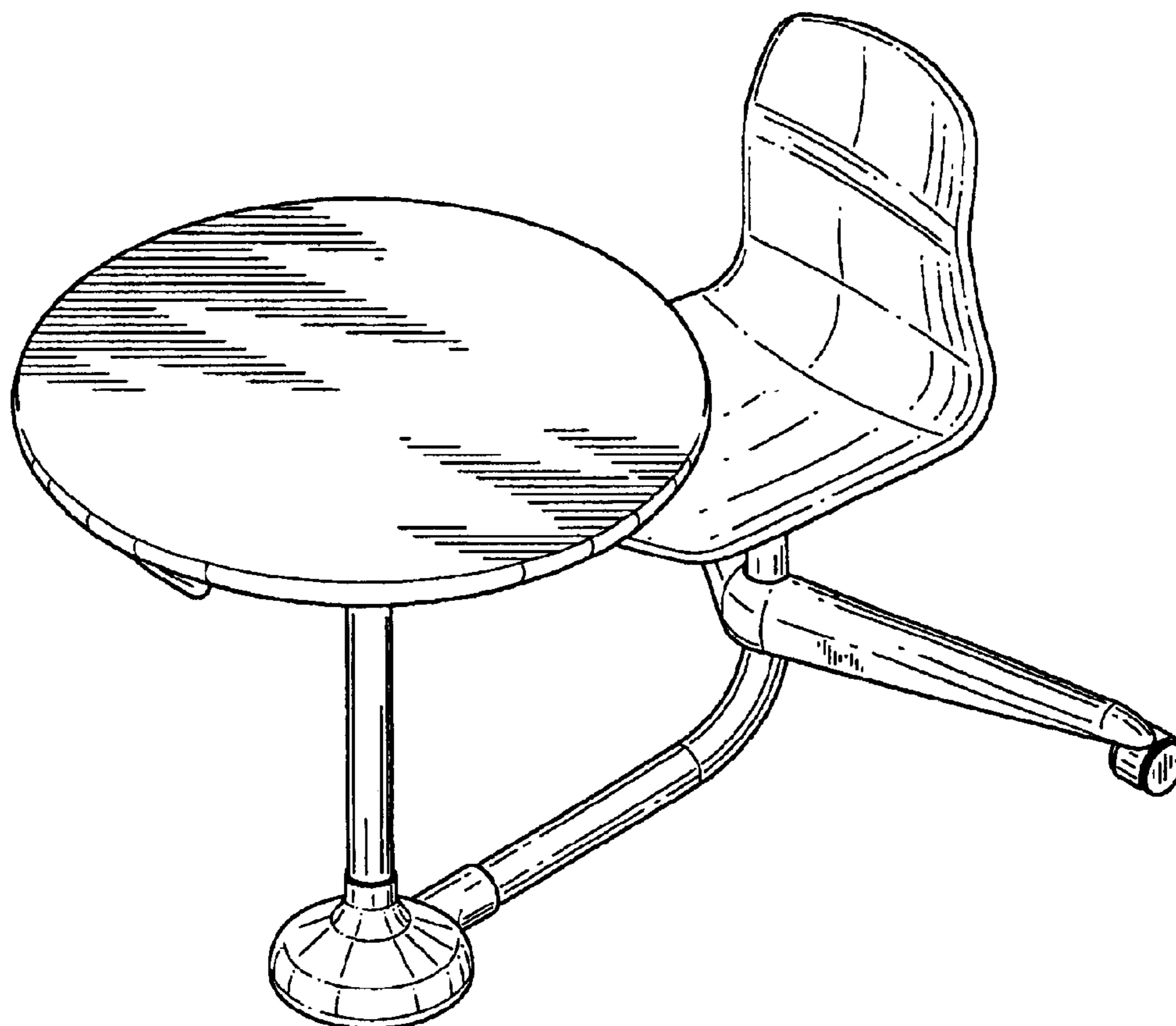
(57) **CLAIM**

The ornamental design for a desk with chair, as shown and described.

DESCRIPTION

FIG. 1 is a front perspective view of a desk with chair showing our new design;
FIG. 2 is a view taken from the right side thereof;
FIG. 3 is a front elevational view thereof;
FIG. 4 is a rear elevational view thereof;
FIG. 5 is a top plan view thereof;
FIG. 6 is a view taken from the left side thereof; and,
FIG. 7 is a bottom plan view thereof.

1 Claim, 3 Drawing Sheets



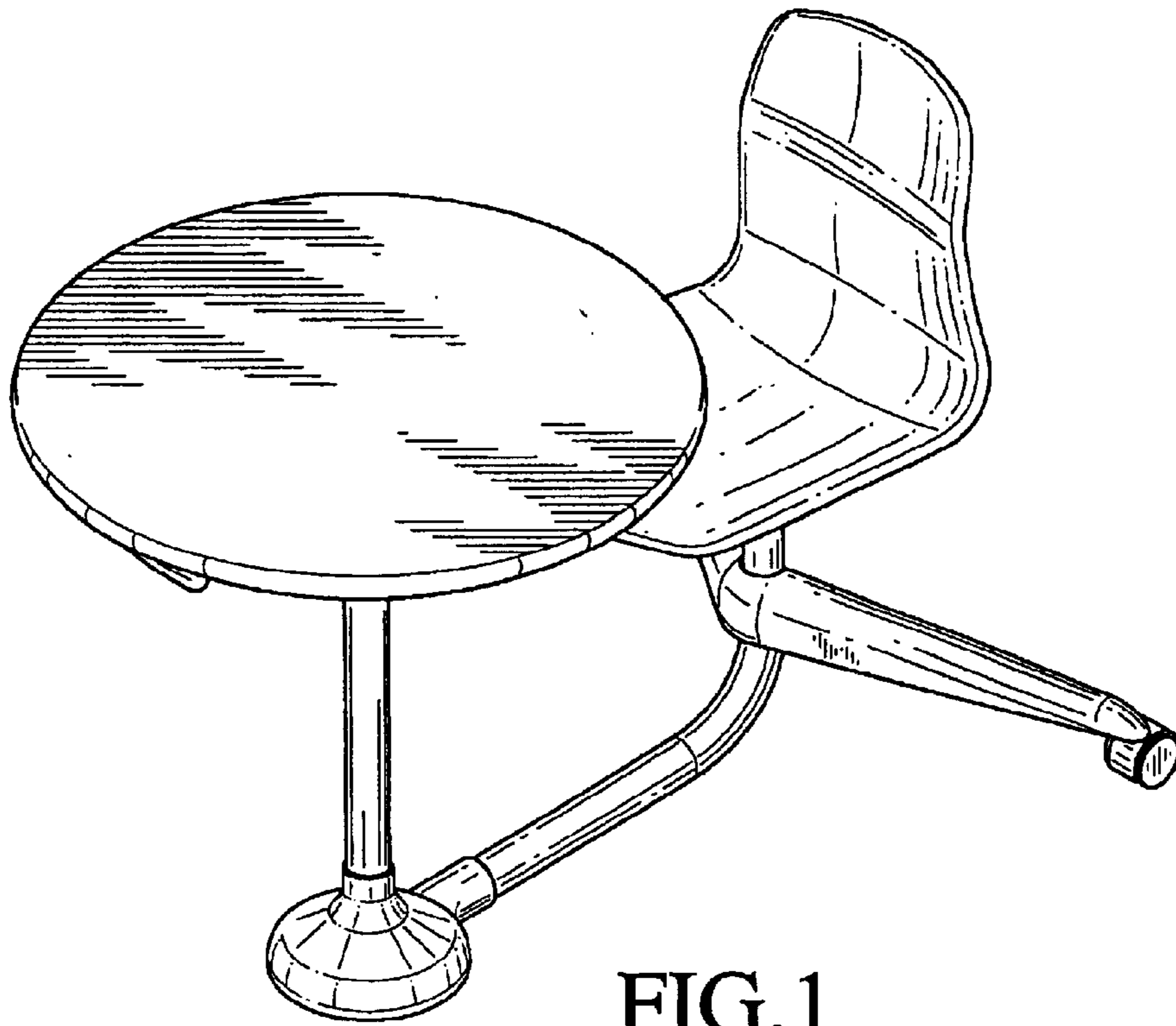


FIG. 1

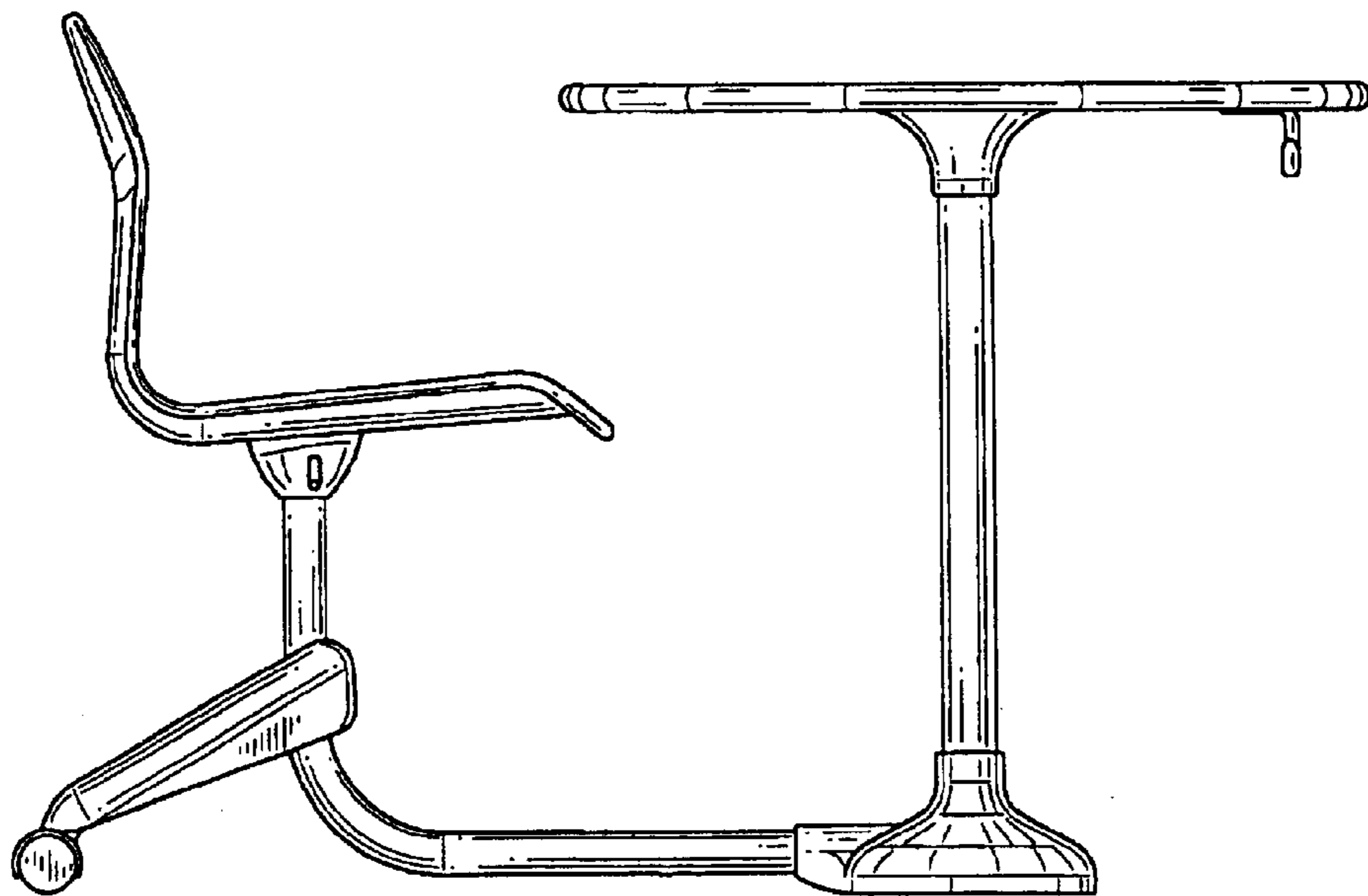


FIG. 2

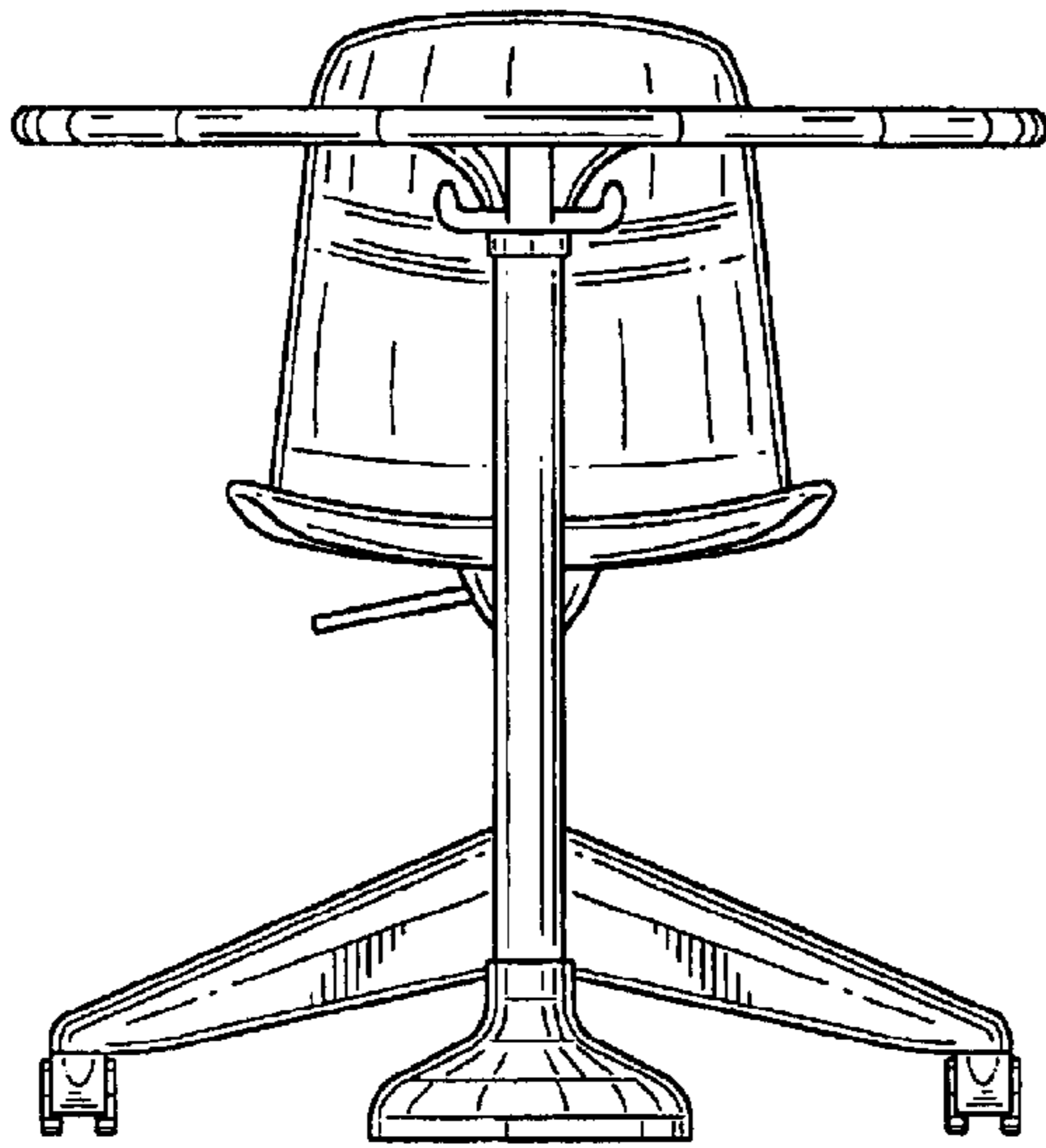


FIG. 3

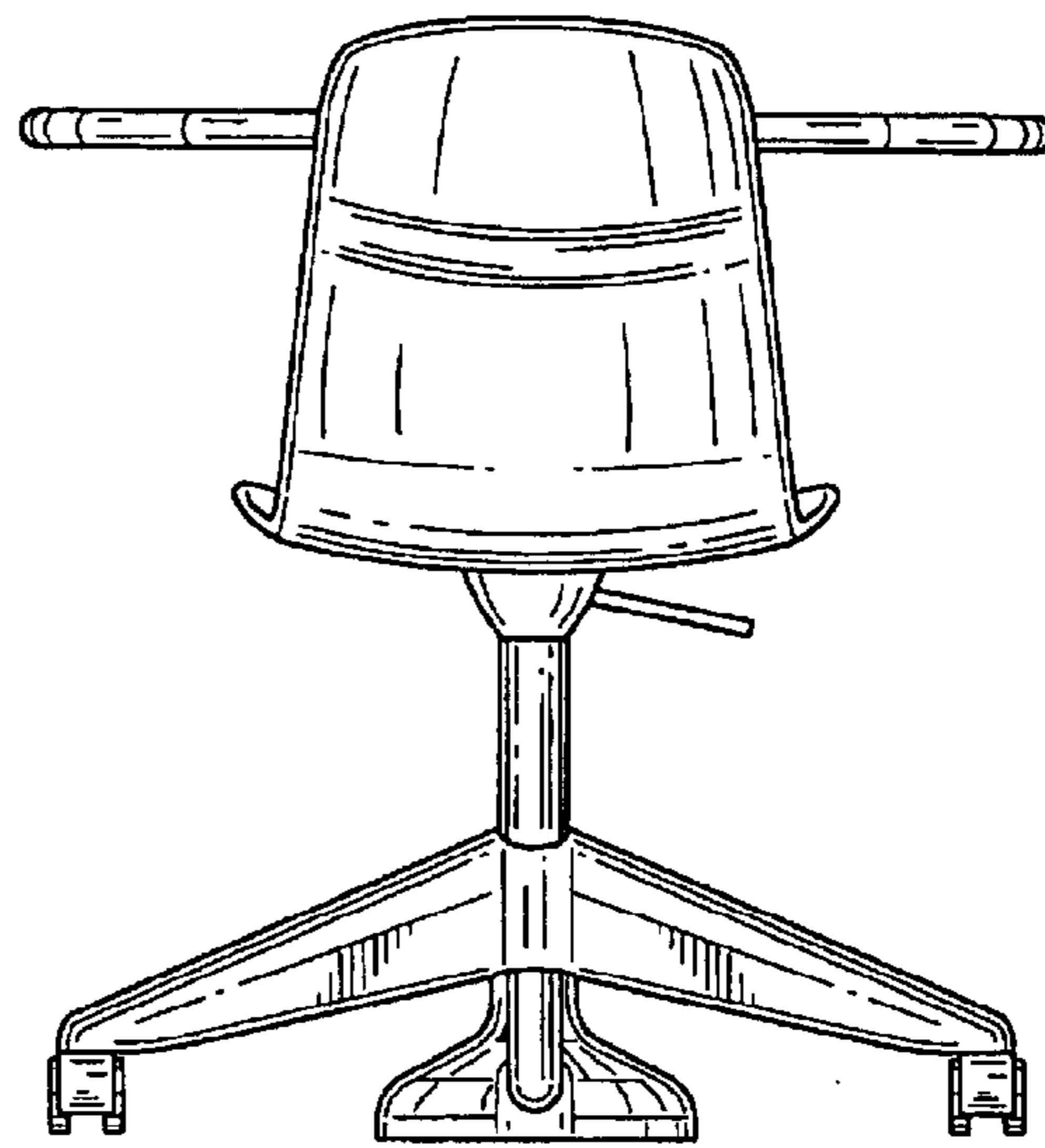


FIG. 4

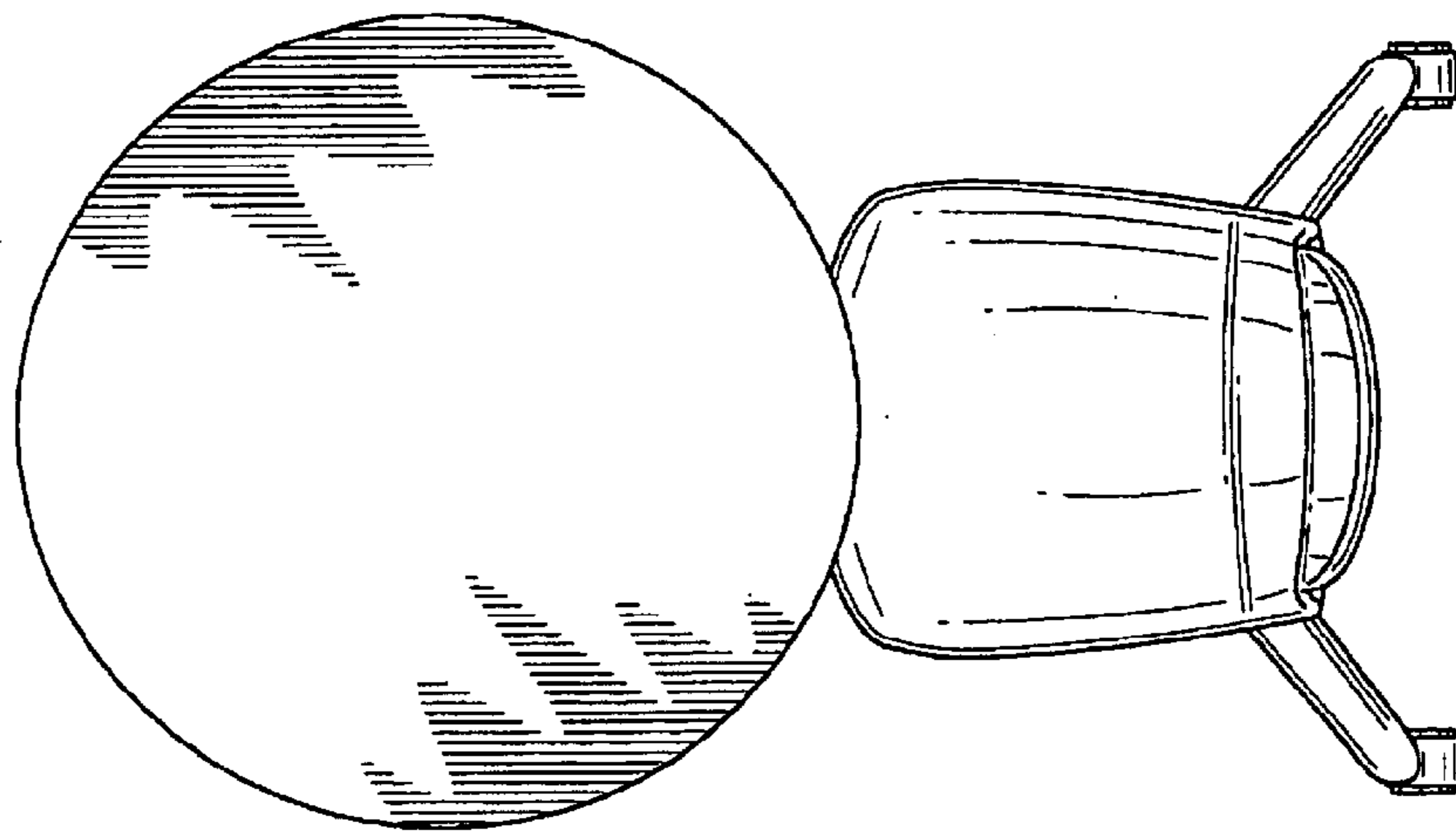


FIG. 5

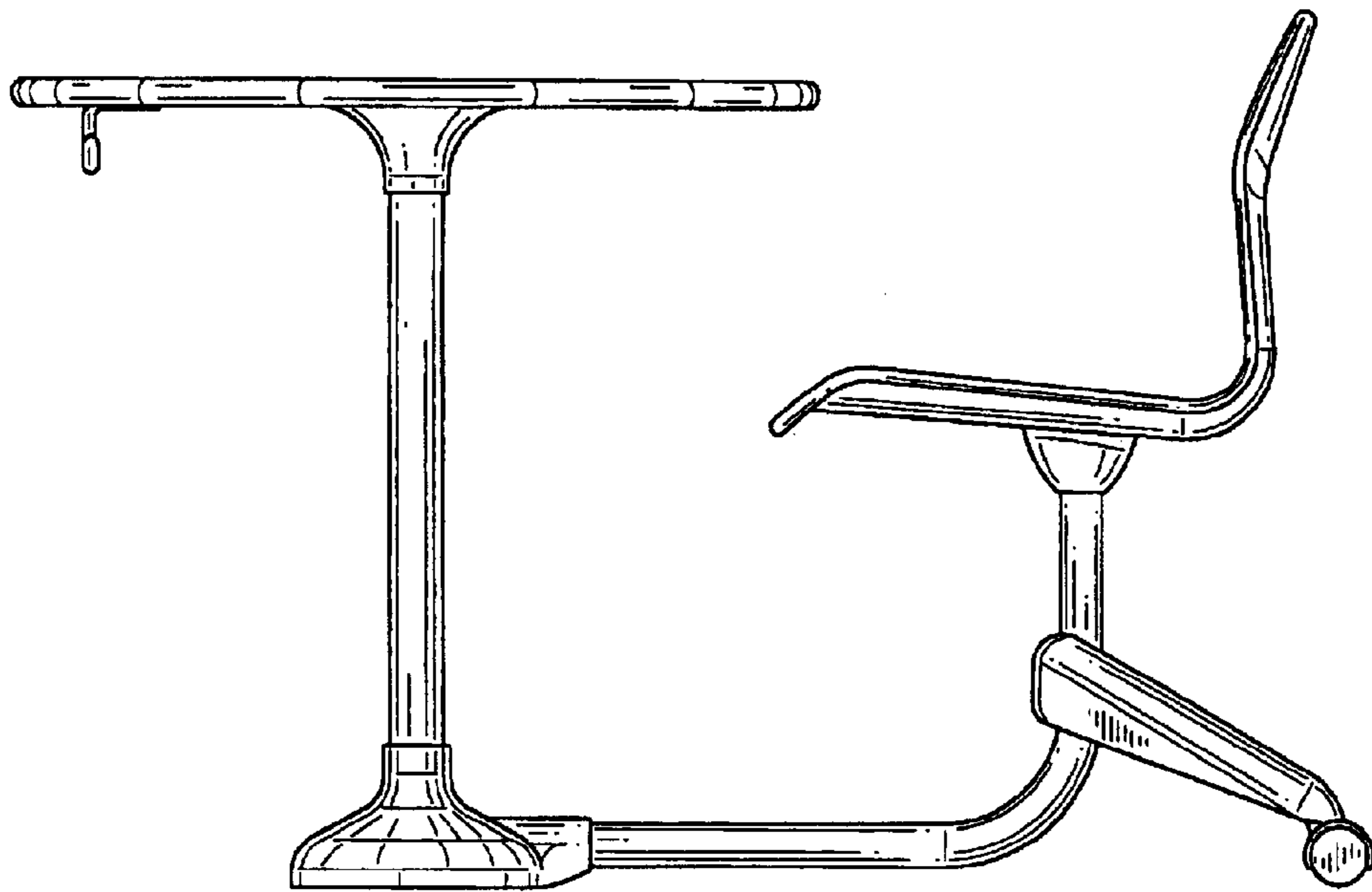


FIG. 6

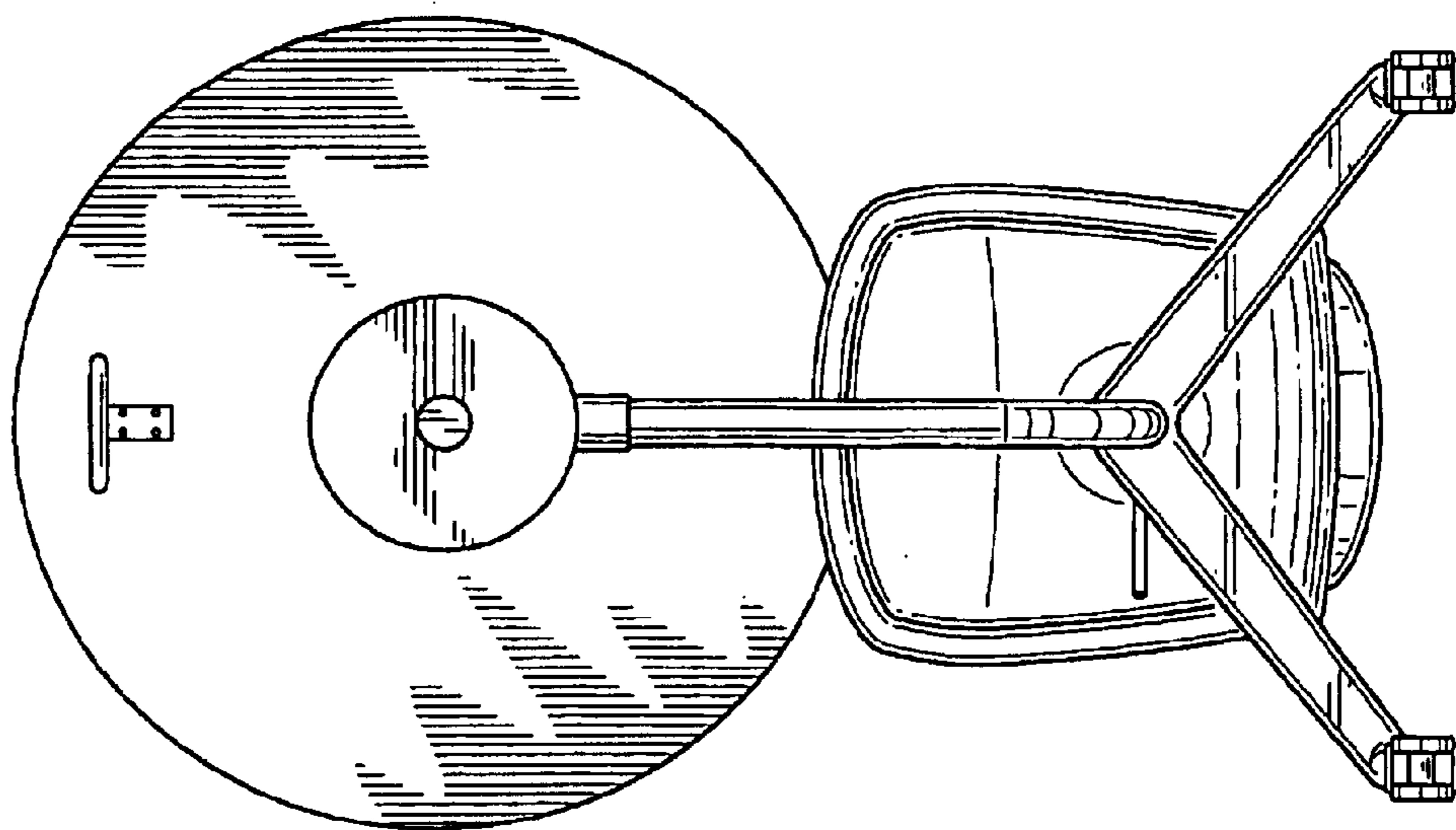


FIG. 7