

US00D497479S1

(12) **United States Design Patent**
Yu

(10) **Patent No.:** **US D497,479 S**
(45) **Date of Patent:** **** Oct. 26, 2004**

(54) **RETRACTABLE SUSPENSORY UMBRELLA**

(75) Inventor: **Fengming Yu**, Zhejiang (CN)

(73) Assignee: **Jianyong Xie**, Linhai (CN)

(**) Term: **14 Years**

(21) Appl. No.: **29/185,487**

(22) Filed: **Jun. 30, 2003**

(51) **LOC (7) Cl.** **03-03**

(52) **U.S. Cl.** **D3/5**

(58) **Field of Search** D3/5-6, 10, 12-13;
135/98, 16, 37, 19.5, 21-24; 297/184.16

(56) **References Cited**

U.S. PATENT DOCUMENTS

D398,443 S * 9/1998 Bolle D3/5
D477,458 S * 7/2003 Goldwitz D3/10

* cited by examiner

Primary Examiner—Robert A. Delehanty
(74) *Attorney, Agent, or Firm*—Birch, Stewart, Kolasch & Birch, LLP

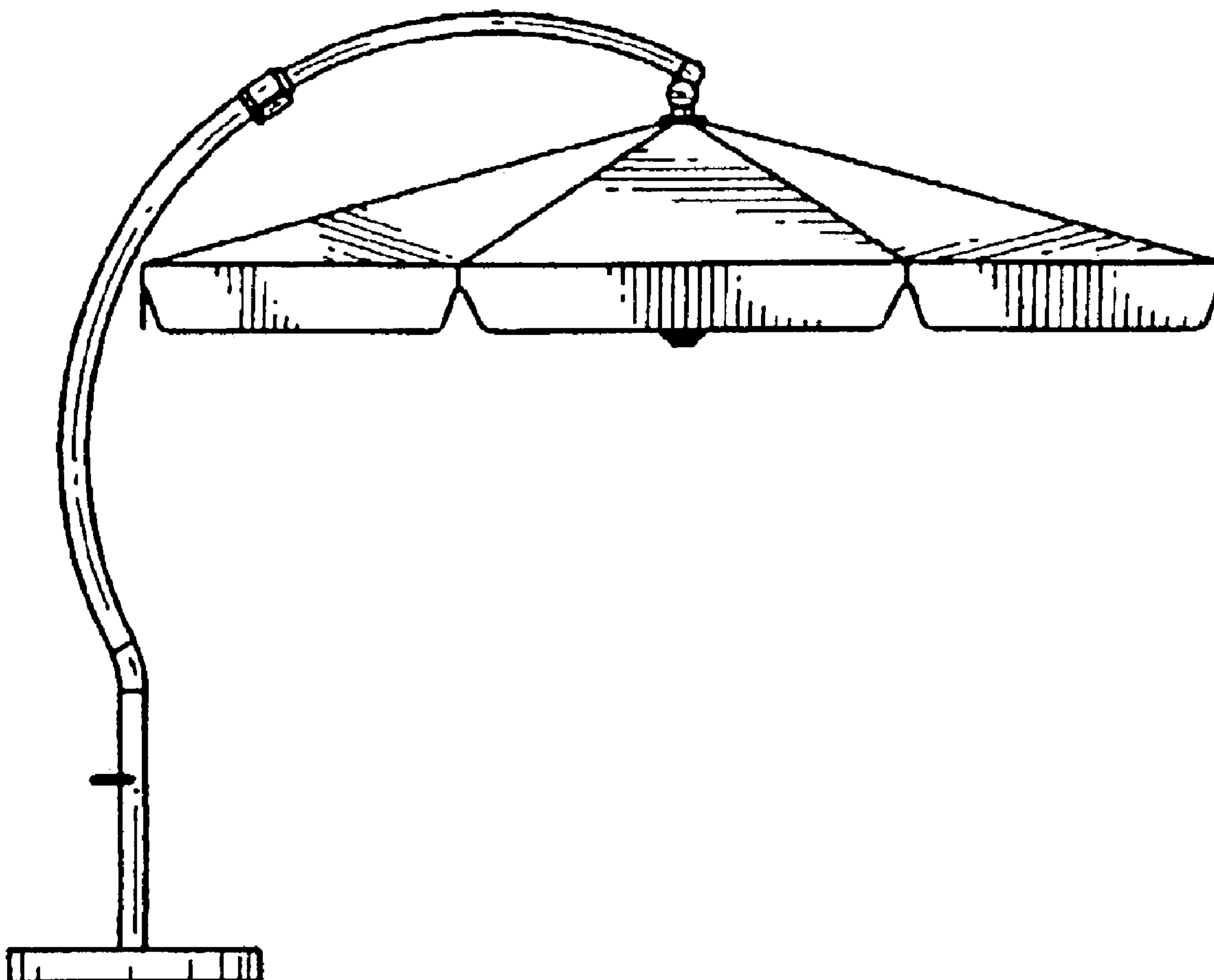
(57) **CLAIM**

The ornamental design for a retractable suspensory umbrella, as shown and described.

DESCRIPTION

FIG. 1 is a right side view of the retractable suspensory umbrella showing my new design;
FIG. 2 is a left side view thereof;
FIG. 3 is a rear elevational view thereof;
FIG. 4 is a front elevational view thereof;
FIG. 5 is a top plan view thereof;
FIG. 6 is a bottom plan view thereof; and,
FIG. 7 is a right side view thereof, showing the umbrella in the retracted position.

1 Claim, 4 Drawing Sheets



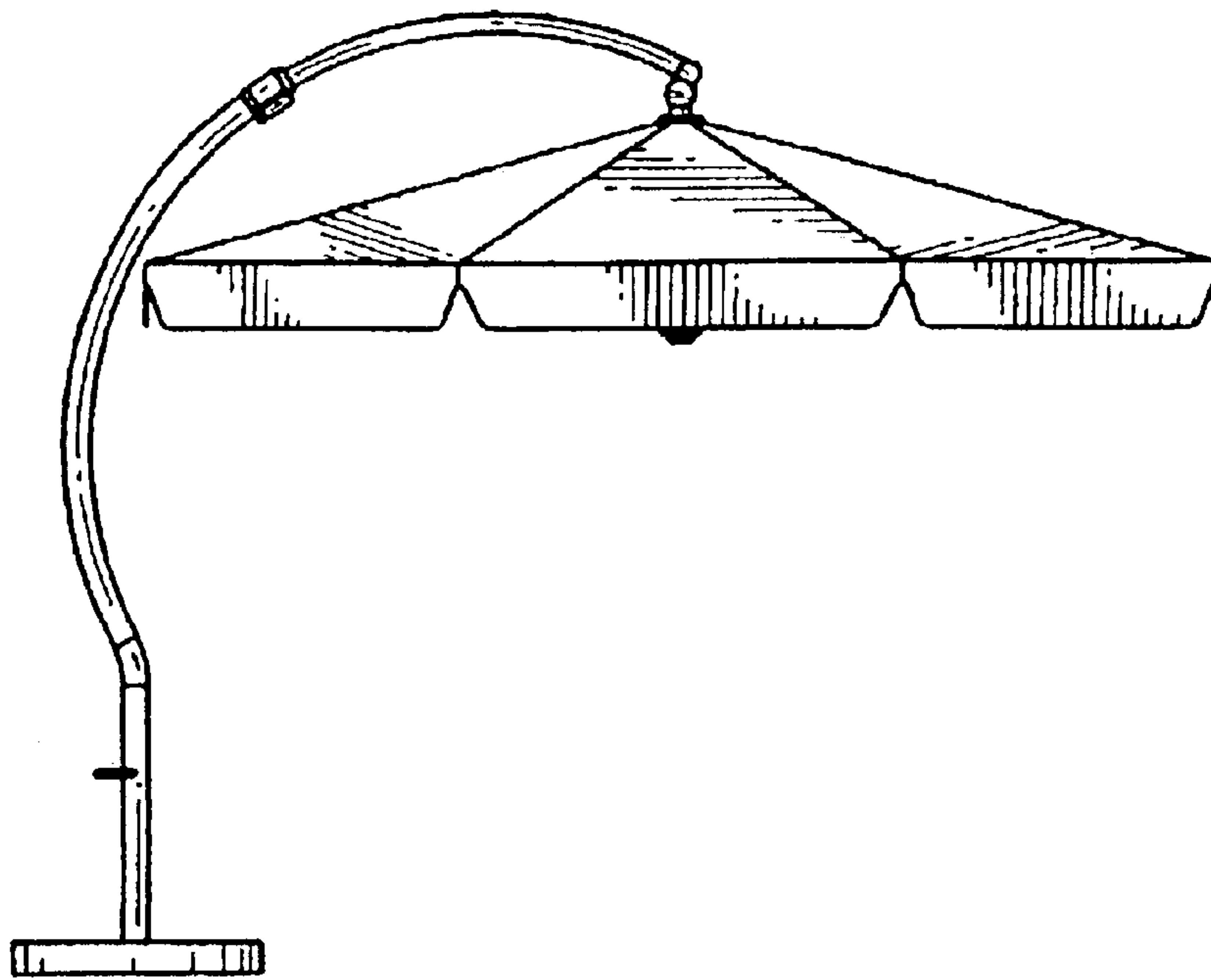


Fig. 1

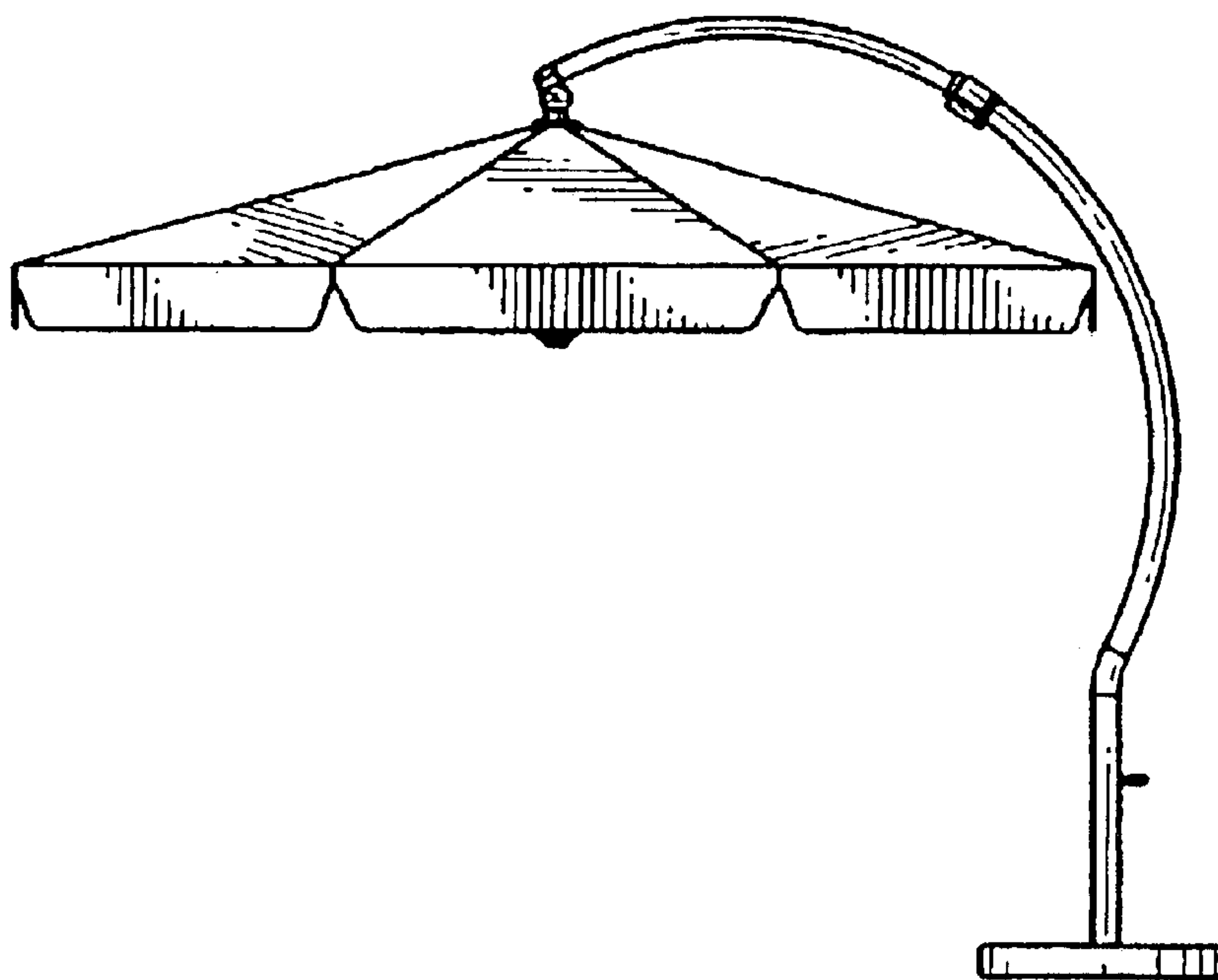


Fig. 2

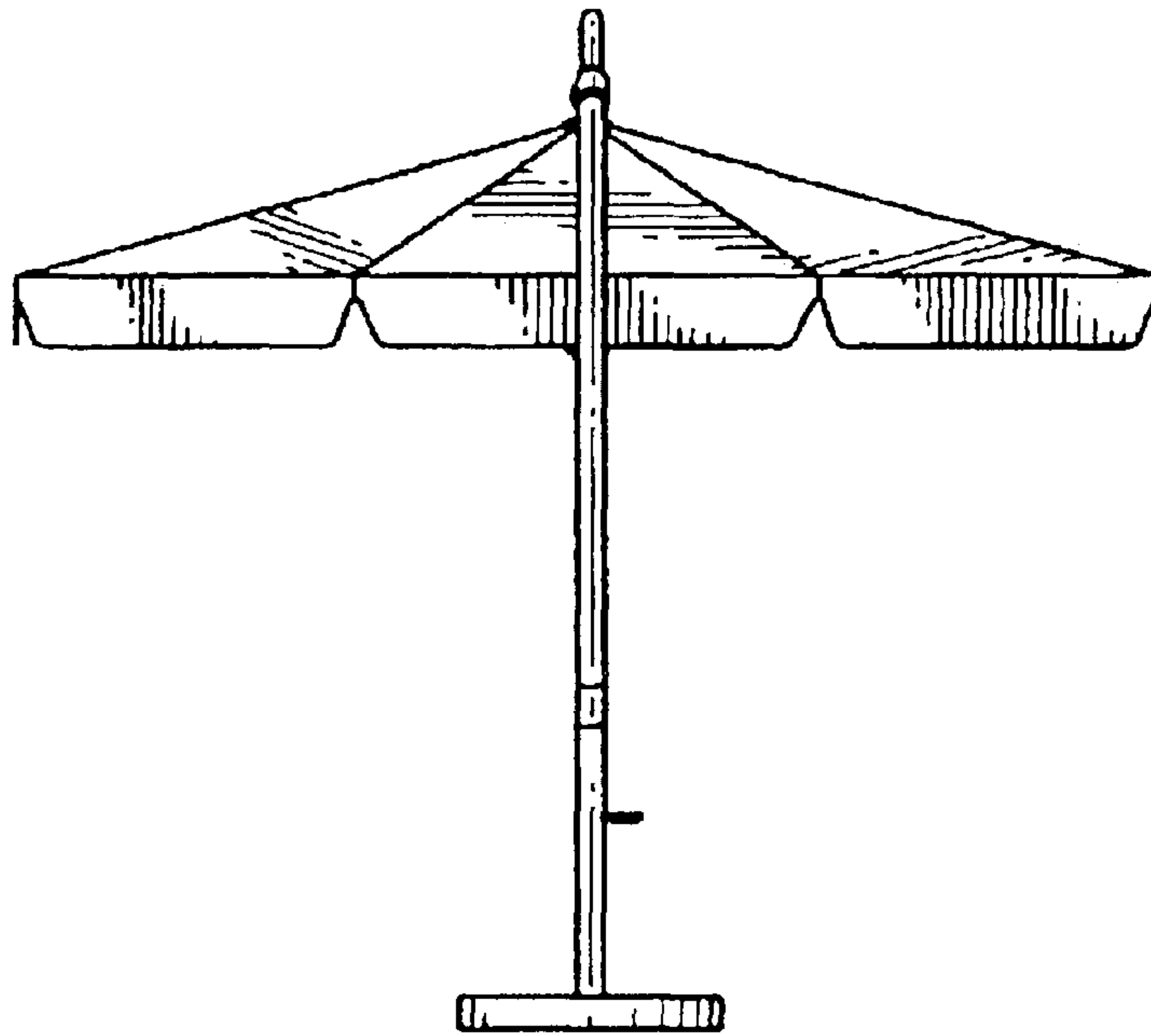


Fig. 3

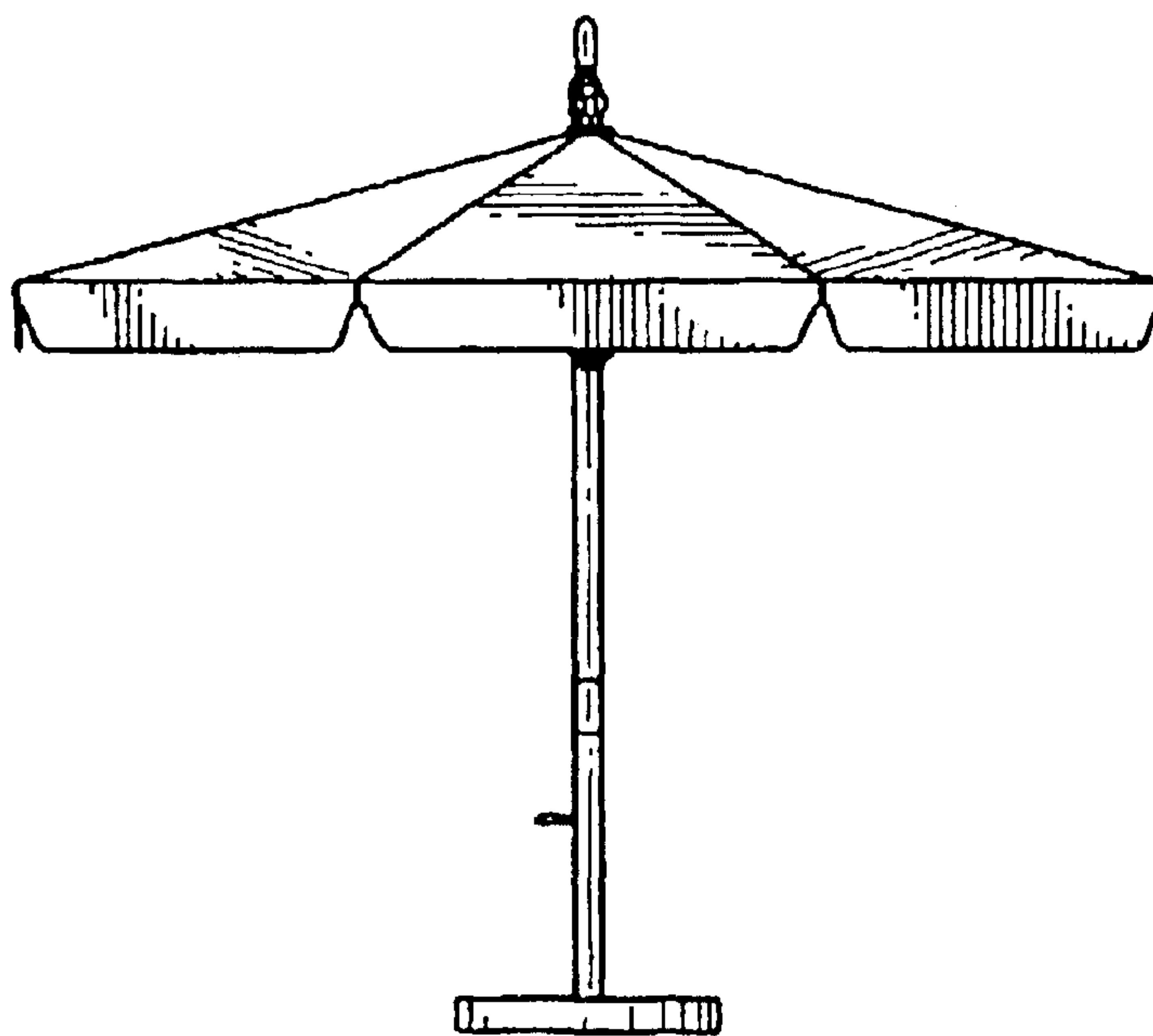


Fig. 4

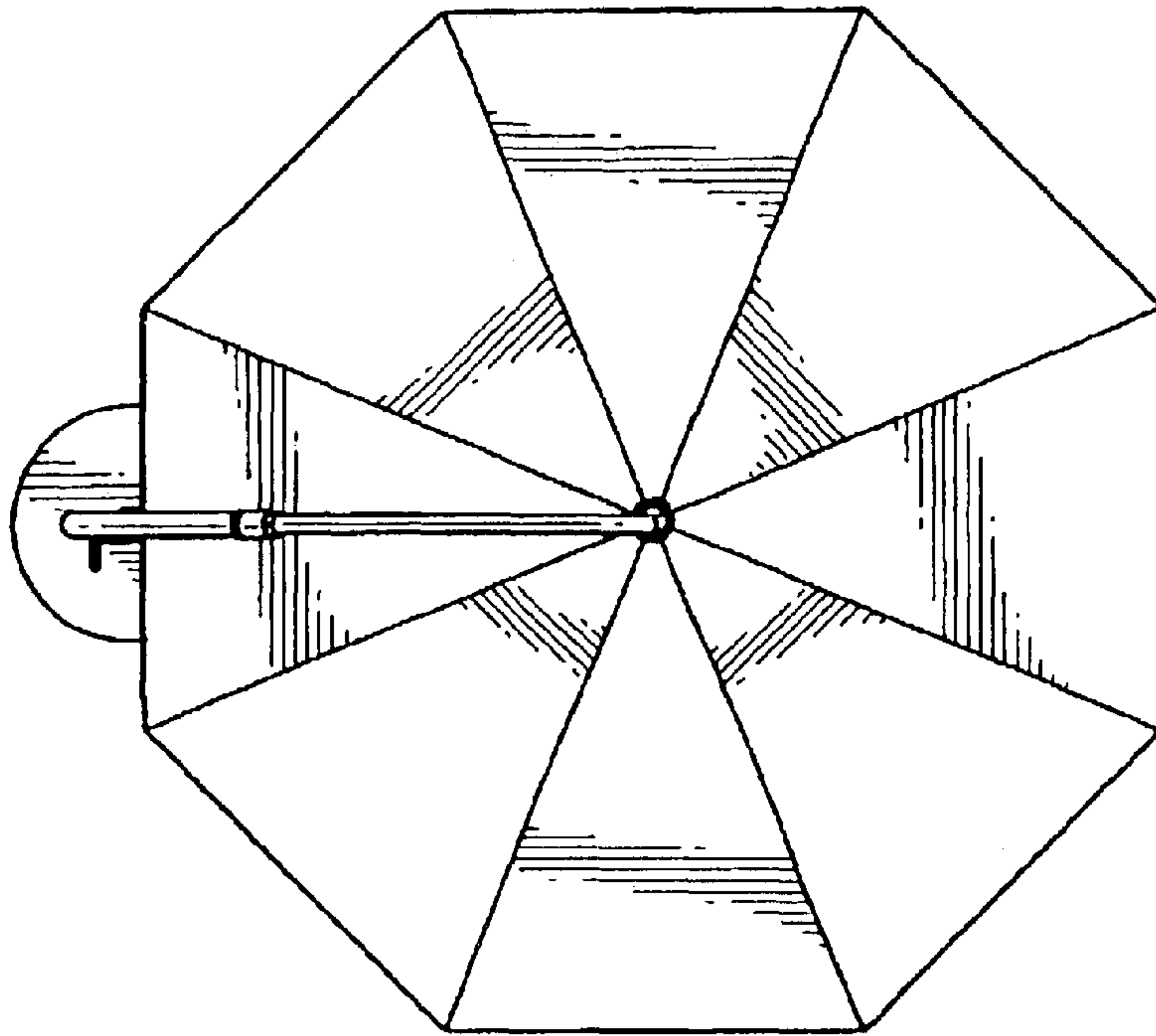


Fig. 5

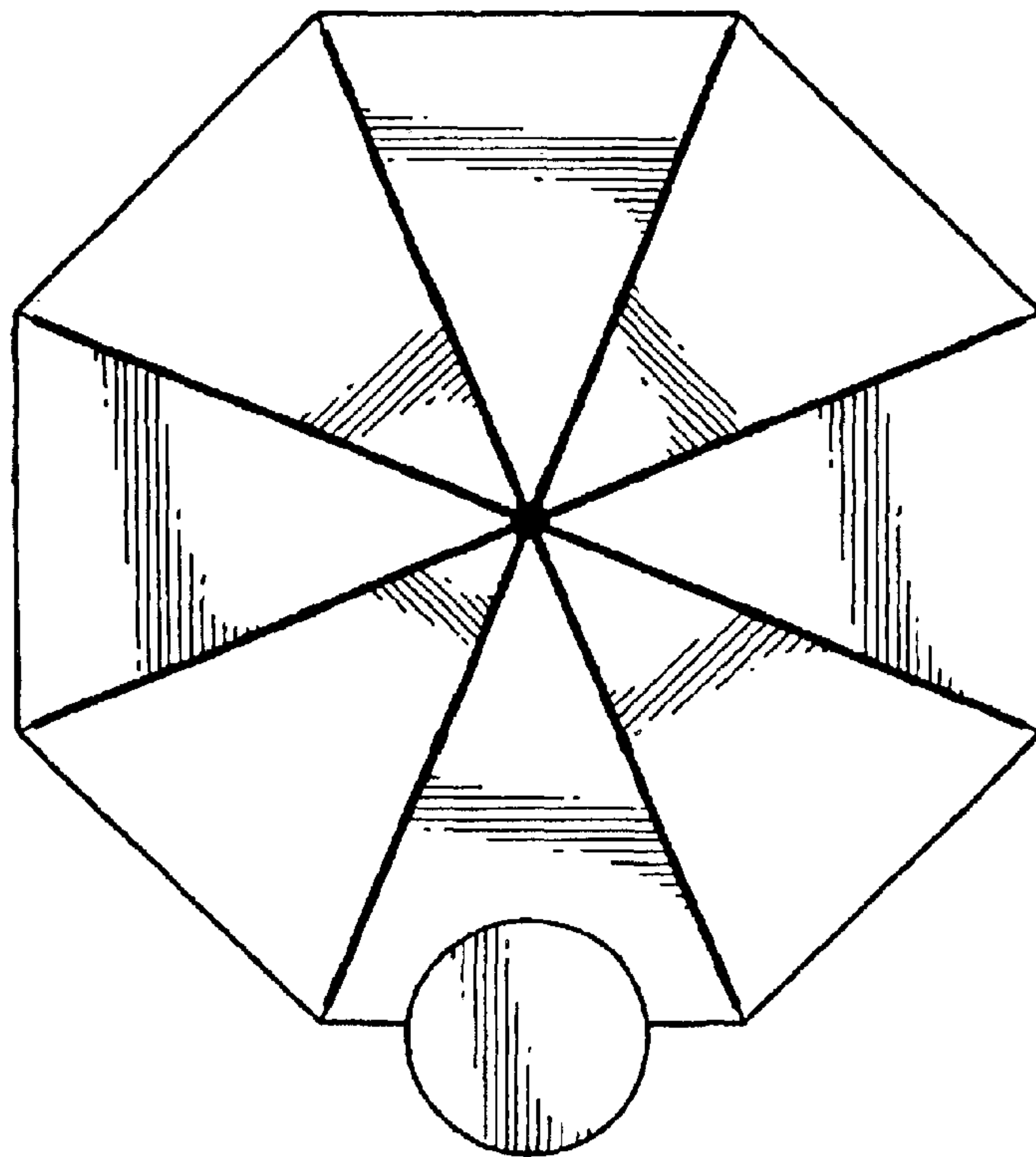


Fig. 6

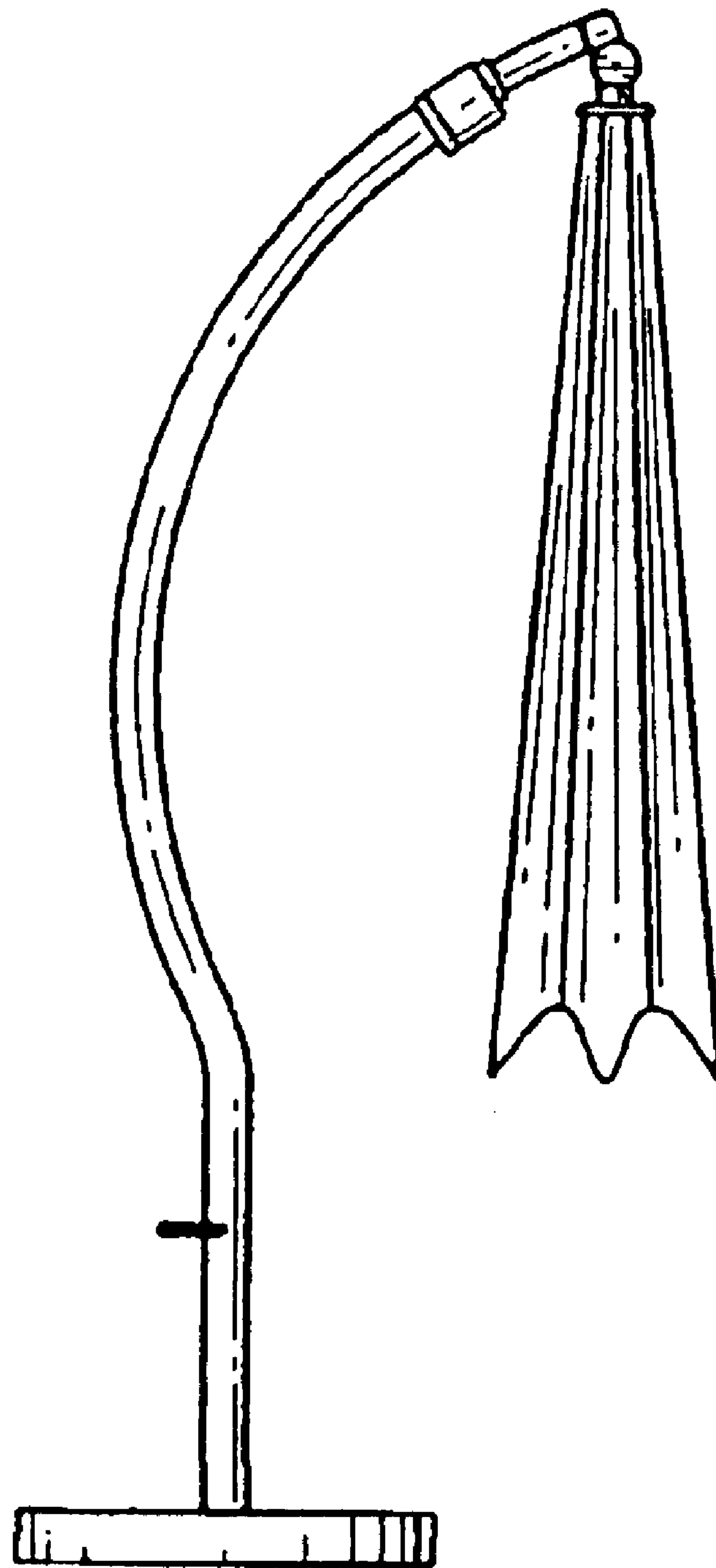


Fig. 7