

US00D497466S1

(12) **United States Design Patent**  
**Van De Wal et al.**

(10) **Patent No.:** **US D497,466 S**  
(45) **Date of Patent:** **\*\* Oct. 26, 2004**

(54) **CONFECTIONERY BAR**

(75) **Inventors:** **Eric Van De Wal**, Port Murray, NJ  
(US); **Jacqueline Kramer**, Stroudsburg,  
PA (US)

(73) **Assignee:** **Mars Incorporated**, McLean, VA (US)

(\*\*) **Term:** **14 Years**

(21) **Appl. No.:** **29/191,144**

(22) **Filed:** **Oct. 3, 2003**

(51) **LOC (7) Cl.** ..... **01-01**

(52) **U.S. Cl.** ..... **D1/127**

(58) **Field of Search** ..... D1/127, 128, 129,  
D1/121, 120; 426/512, 144, 76, 94, 593,  
514, 660, 383

(56) **References Cited**

**U.S. PATENT DOCUMENTS**

D88,109 S \* 10/1932 Reiche ..... D1/127  
D90,592 S \* 8/1933 Peterson ..... D1/121  
D90,687 S \* 9/1933 Sherrill ..... D1/121

D90,688 S \* 9/1933 Sherrill ..... D1/121  
D170,362 S \* 9/1953 Opler ..... D1/121  
4,455,320 A \* 6/1984 Syrmis ..... 426/383  
4,946,696 A \* 8/1990 Nendl et al. .... 426/383

\* cited by examiner

*Primary Examiner*—Pamela Burgess

(74) *Attorney, Agent, or Firm*—Fitzpatrick, Cella, Harper &  
Scinto

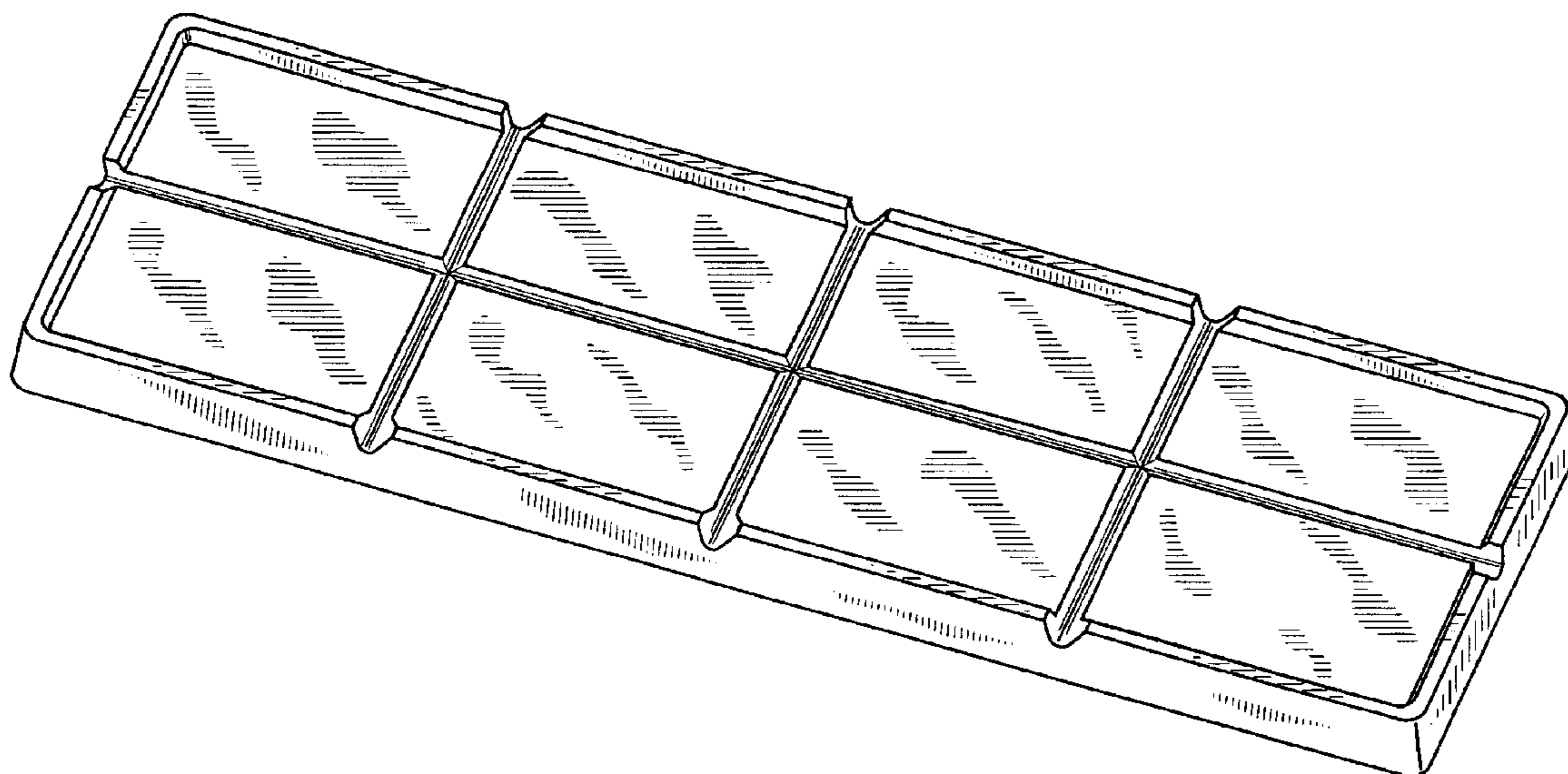
(57) **CLAIM**

The ornamental design for a confectionery bar, substantially  
as shown and described.

**DESCRIPTION**

FIG. 1 is a front perspective view of a confectionery bar  
showing our new design;  
FIG. 2 is a top plan view thereof;  
FIG. 3 is a front elevation view thereof, the back elevation  
view being a mirror image;  
FIG. 4 is a bottom plan view thereof; and,  
FIG. 5 is a right end elevation view thereof, the left end  
elevation view being a mirror image.

**1 Claim, 3 Drawing Sheets**



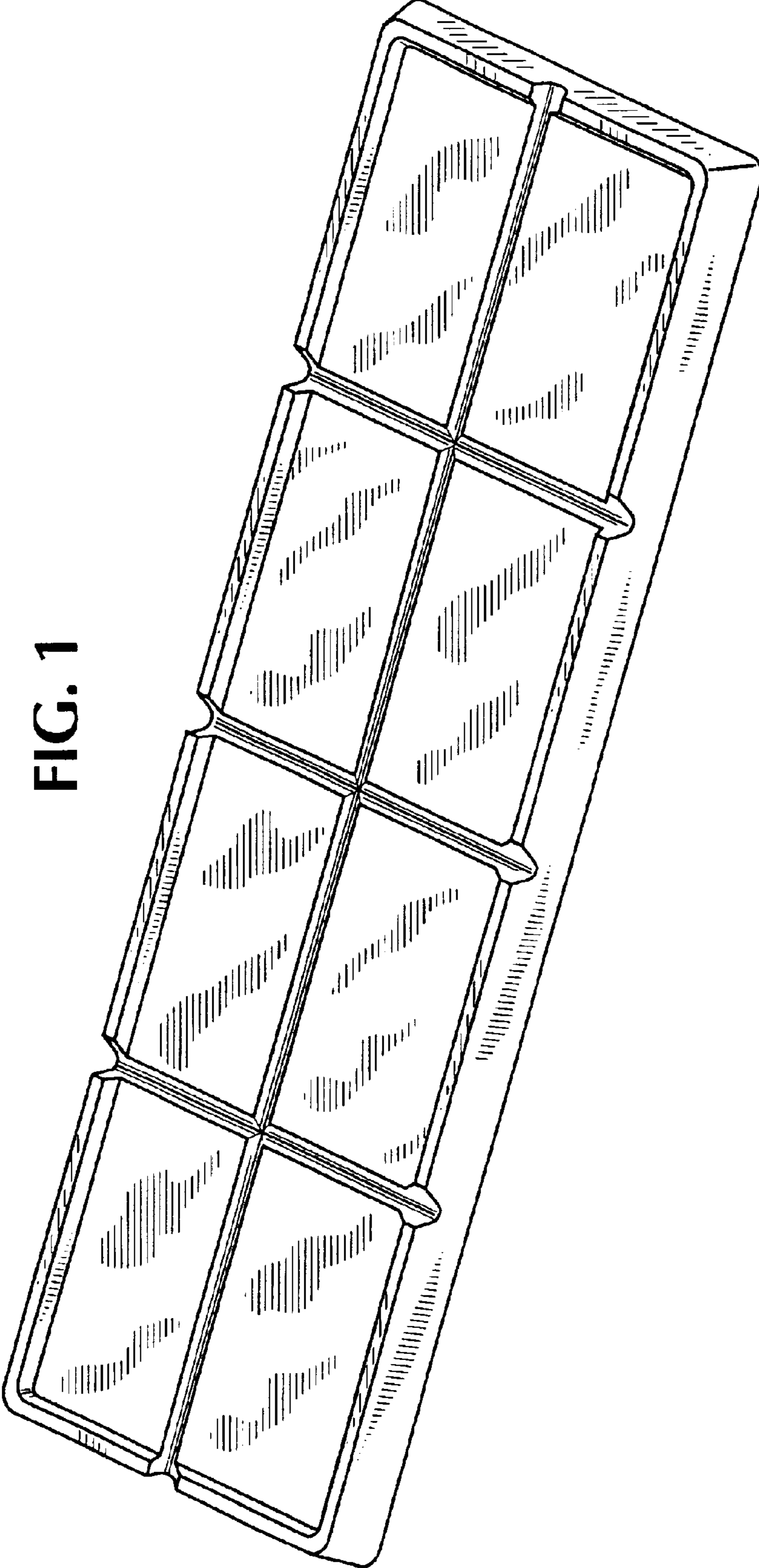


FIG. 1

FIG. 2

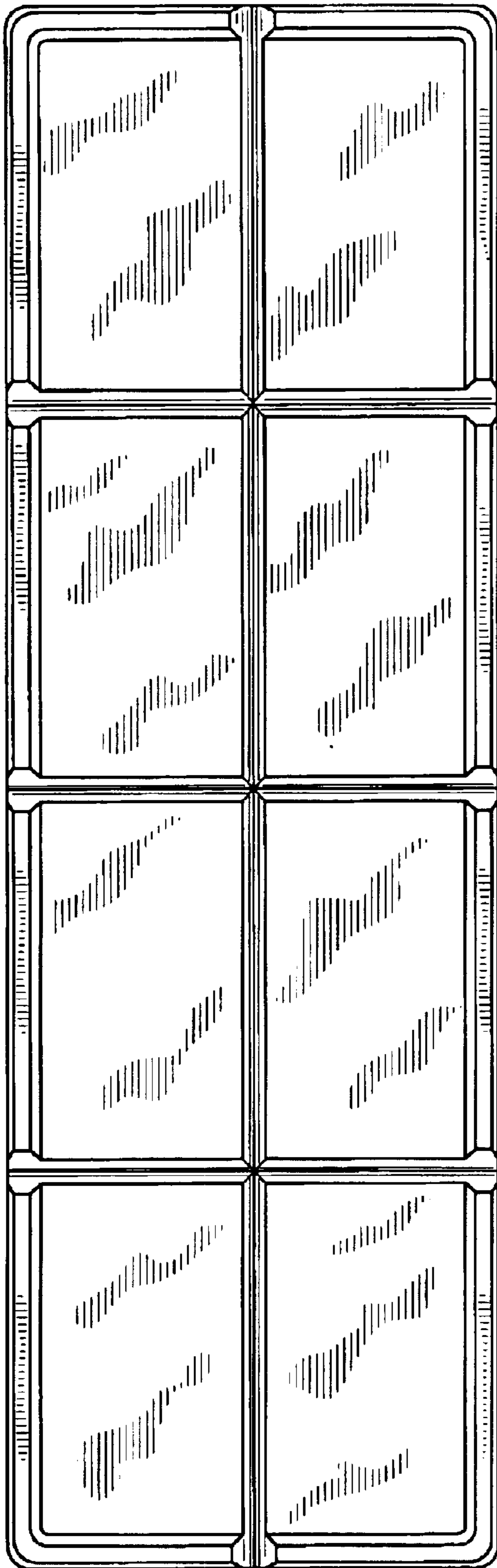


FIG. 3

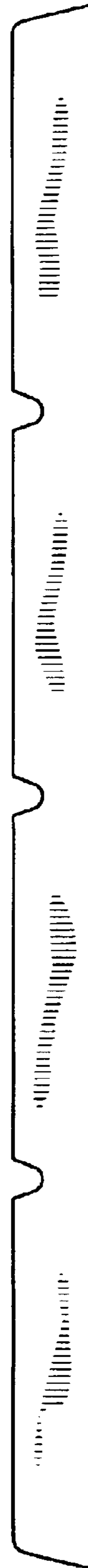


FIG. 4

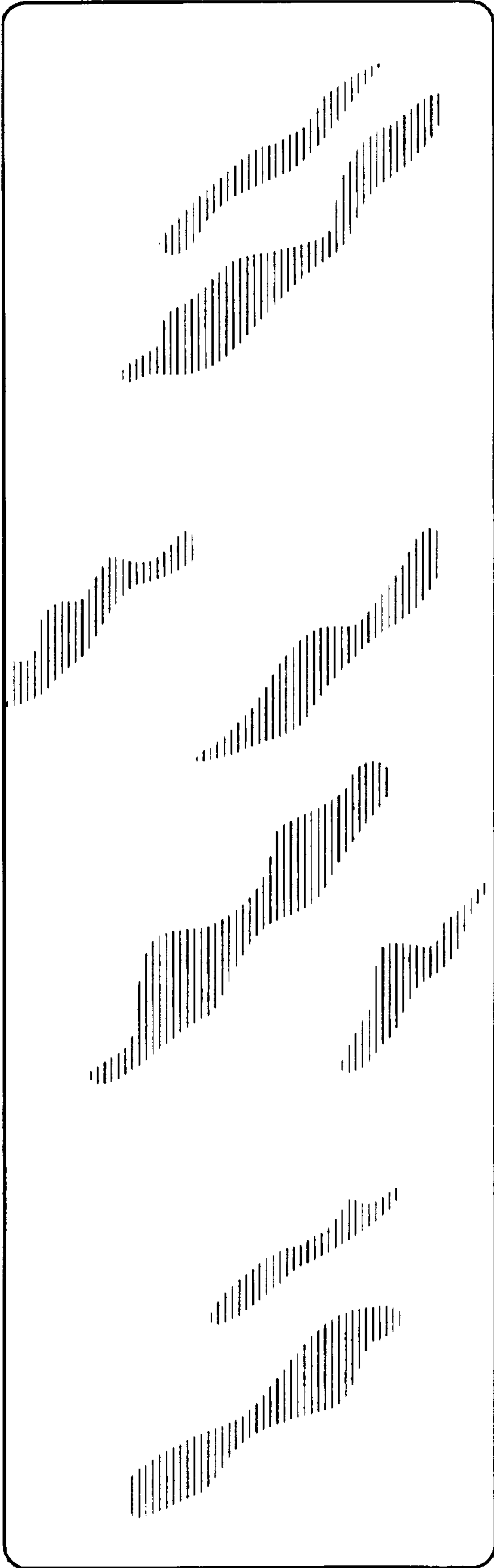


FIG. 5

