



US00D497465S1

(12) **United States Design Patent** (10) **Patent No.:** **US D497,465 S**
Hradisky (45) **Date of Patent:** **** Oct. 19, 2004**

(54) **PLASTIC MAILBOX**

(75) Inventor: **John L. Hradisky**, Aurora, OH (US)

(73) Assignee: **The Step2 Company**, Streetsboro, OH (US)

(**) Term: **14 Years**

(21) Appl. No.: **29/199,548**

(22) Filed: **Feb. 17, 2004**

Related U.S. Application Data

(63) Continuation of application No. 29/177,021, filed on Mar. 3, 2003, now Pat. No. Des. 489,159, and a continuation of application No. 29/177,027, filed on Mar. 3, 2003, now Pat. No. Des. 488,908, and a continuation of application No. 29/177,052, filed on Mar. 3, 2003, now Pat. No. Des. 489,160.

(51) **LOC (7) Cl.** **99-00**

(52) **U.S. Cl.** **D99/29**

(58) **Field of Search** D99/29, 30, 28, D99/31, 32; 232/17, 24, 33, 35, 39, 38

(56) **References Cited**

U.S. PATENT DOCUMENTS

D263,514 S	3/1982	Paparella	
5,022,618 A	6/1991	Barrett et al.	
5,362,019 A	11/1994	Swanson	
5,664,729 A	9/1997	Ladewig	
D385,680 S	10/1997	Cacciola et al.	
D488,908 S	* 4/2004	Hradisky D99/29
D489,159 S	* 4/2004	Hradisky D99/29
D489,160 S	* 4/2004	Hradisky D99/29

OTHER PUBLICATIONS

Website printout from www.step2.com—MailMaster Deluxe Mailbox—2 pages.

Website printout from www.step2.com—MailMaster Plus Mailbox—2 pages.

Website printout from www.step2.com—MailMaster Standard Mailbox—2 pages.

Website printout from www.rubbermaid.com—Large Mailbox—2 pages.

Website printout from www.rubbermaid.com—Medium Mailbox—2 pages.

Website printout from www.rubbermaid.com—Small Mailbox—2 pages.

Website printout from www.rubbermaid.com—Mailbox Post & Mounting—2 pages.

Website printout from www.thesolargroup.com—Plastic Mailbox & Post Combos—4 pages.

Website printout from www.thesolargroup.com—Plastic Post Mount Mailboxes—2 pages.

Website printout from www.thesolargroup.com—Deluxe Plastic Mailbox Posts—2 pages.

* cited by examiner

Primary Examiner—Paula A. Greene

(74) *Attorney, Agent, or Firm*—Brouse McDowell; Roger D. Emerson; Heather M. Barnes

(57) **CLAIM**

The ornamental design for a plastic mailbox, as shown and described.

DESCRIPTION

FIG. 1 is a perspective view showing the new design.

FIG. 2 is a front elevational view of the present invention.

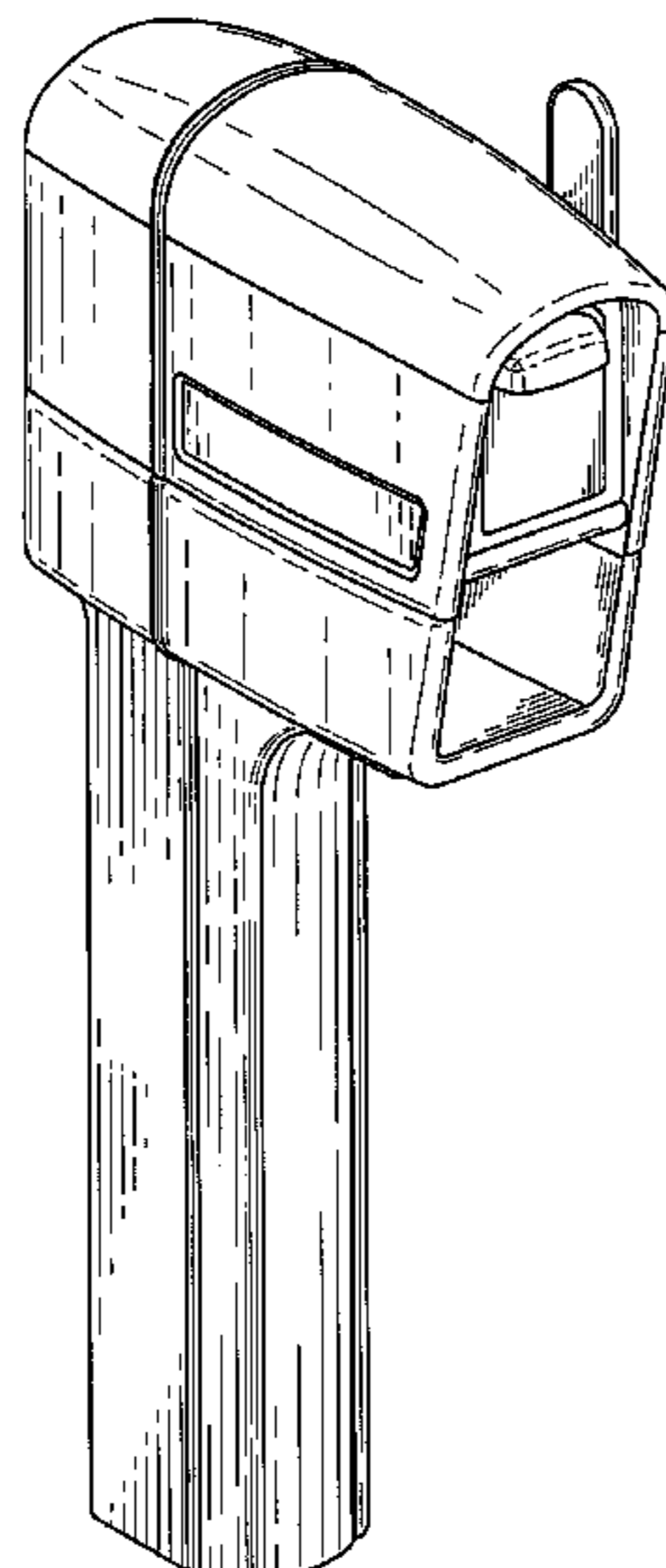
FIG. 3 is a right side elevational view of the present invention.

FIG. 4 is a top plan view of the present invention.

FIG. 5 is a rear elevational view of the present invention; and,

FIG. 6 is a left side elevational view of the present invention.

1 Claim, 3 Drawing Sheets



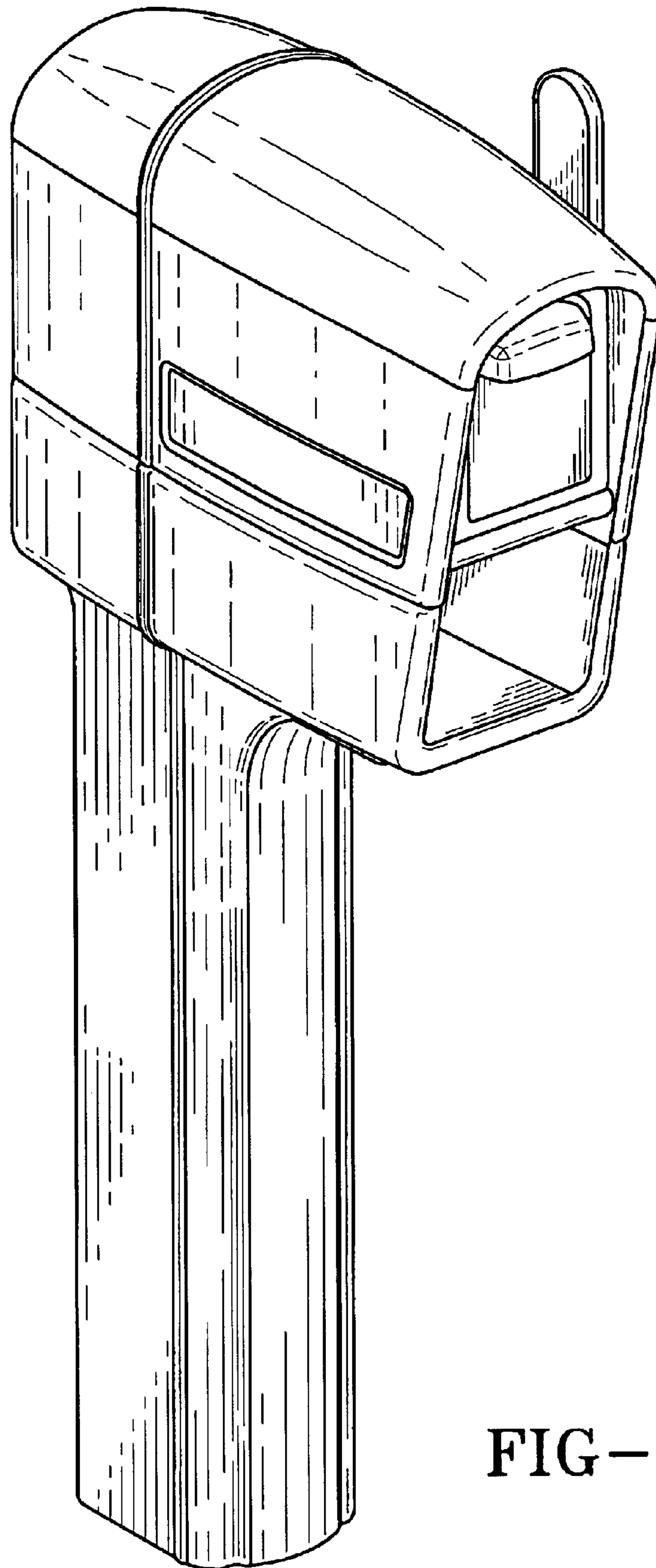


FIG-1

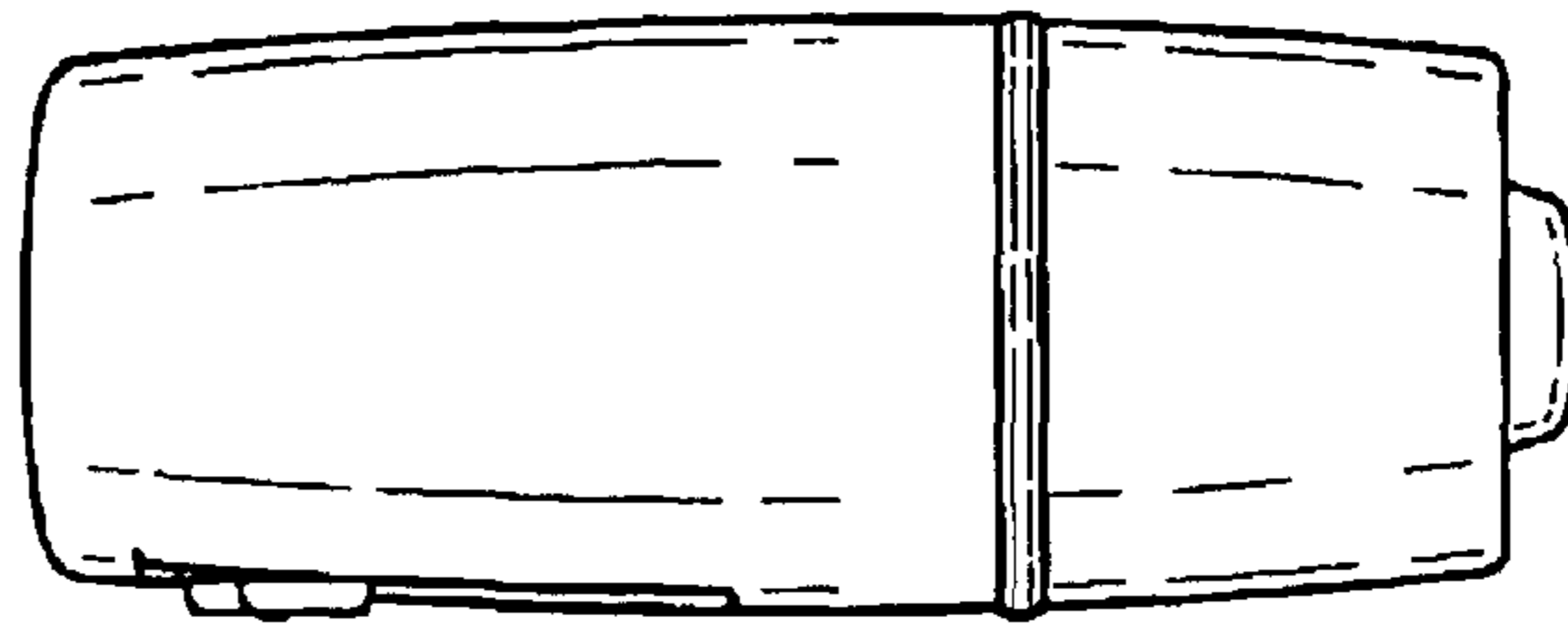


FIG-4

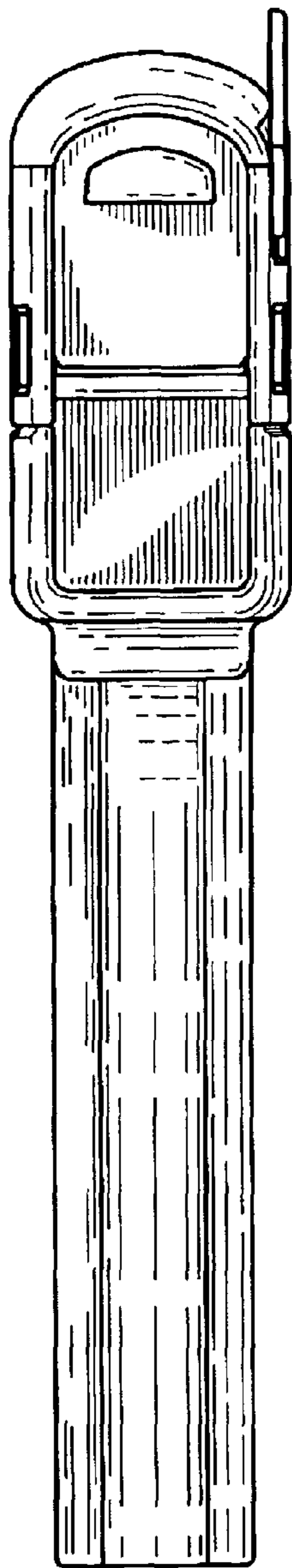


FIG-2

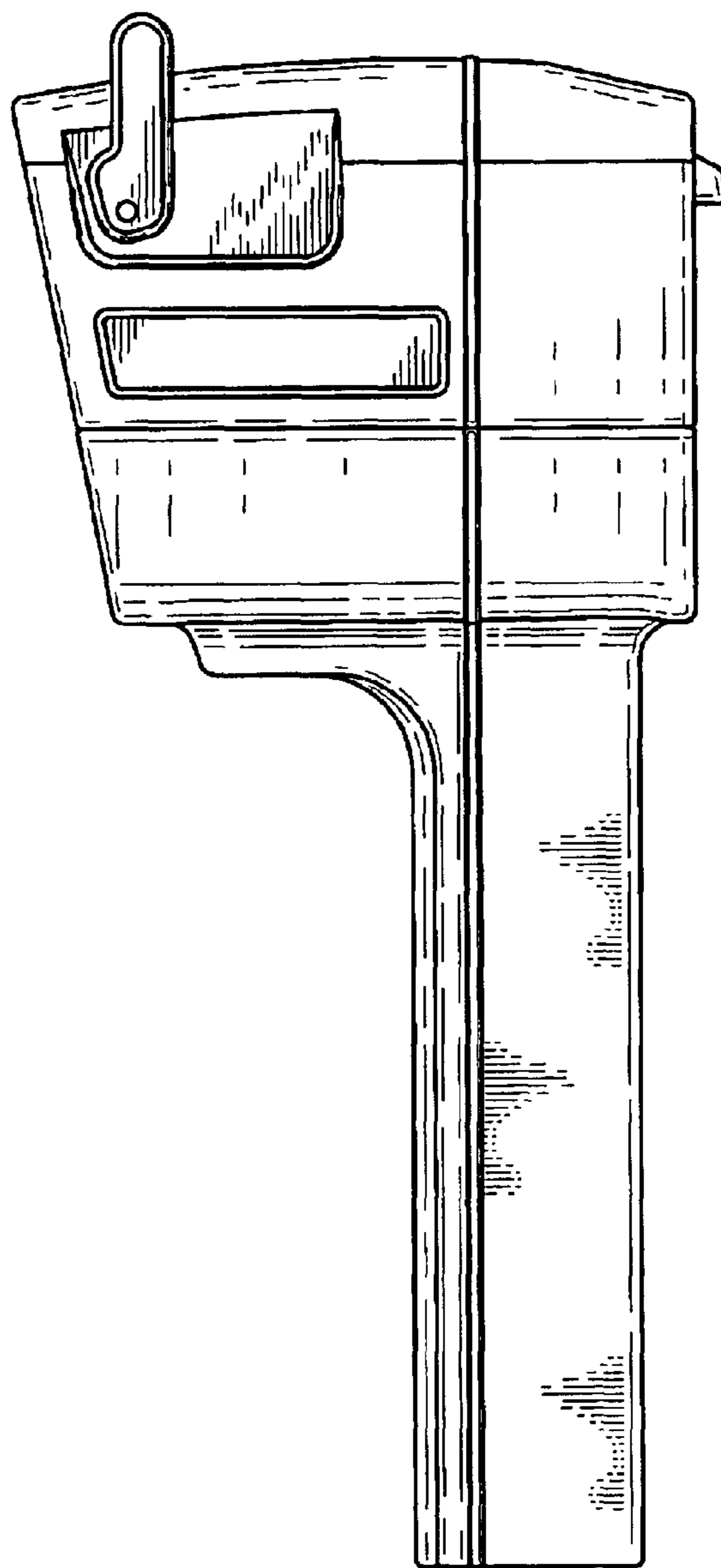


FIG-3

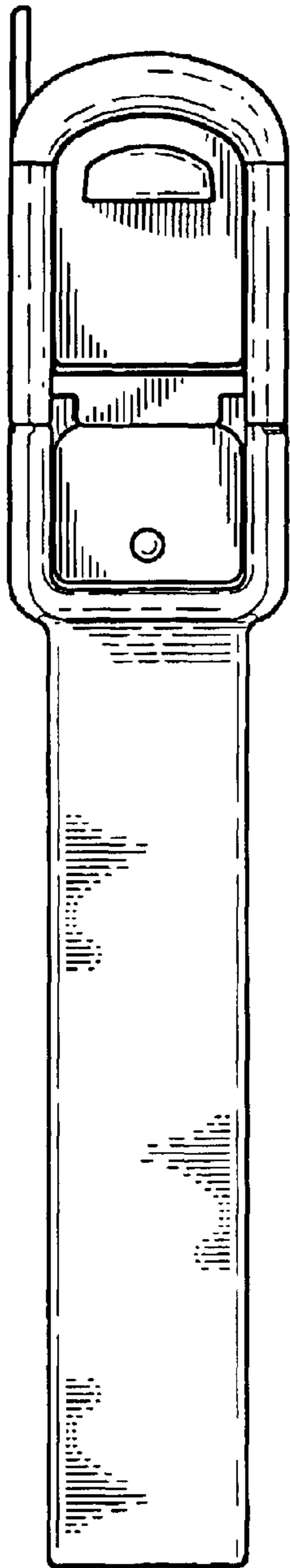


FIG-5

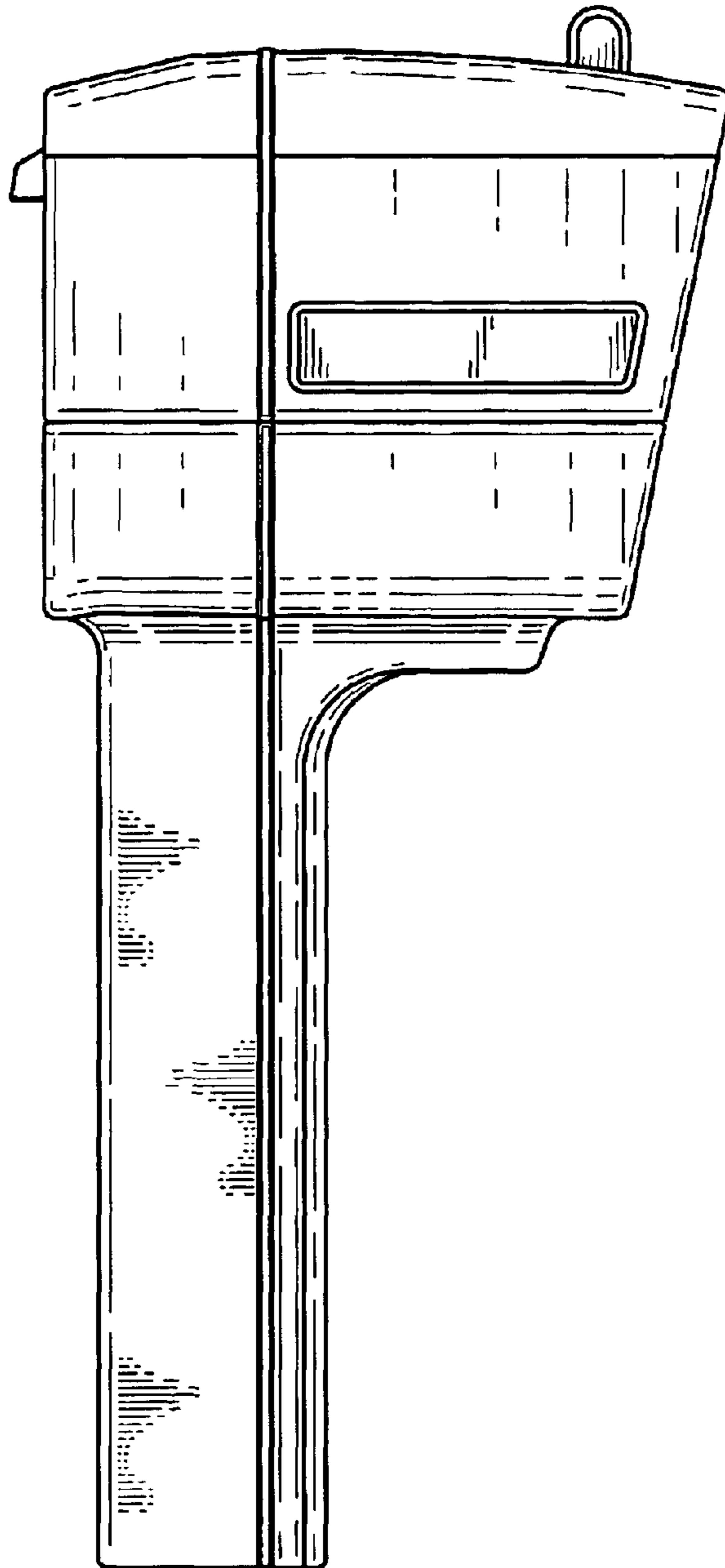


FIG-6