

US00D497463S1

(12) **United States Design Patent**
Swedish

(10) **Patent No.:** **US D497,463 S**
(45) **Date of Patent:** **** Oct. 19, 2004**

(54) **CONTROL HANDLE FOR A MATERIAL HANDLING VEHICLE**

(75) **Inventor:** **Gary B. Swetish, Racine, WI (US)**

(73) **Assignee:** **The Raymond Corporation, Greene, NY (US)**

(**) **Term:** **14 Years**

(21) **Appl. No.:** **29/189,192**

(22) **Filed:** **Aug. 29, 2003**

(51) **LOC (7) Cl.** **12-05**

(52) **U.S. Cl.** **D34/35**

(58) **Field of Search** D34/35, 29, 28,
D34/27; 280/762, 43.12, 43.23, 43.17; 74/488,
484 R; 187/237, 238; 180/89.12, 89.13,
89.17

(56) **References Cited**

U.S. PATENT DOCUMENTS

D235,987 S	*	7/1975	Mono	D34/35
5,007,301 A	*	4/1991	Powell	74/557
5,245,144 A	*	9/1993	Stammen	200/61.85
D364,029 S	*	11/1995	Noonan et al.	D34/35
D374,534 S	*	10/1996	Munde et al.	D34/35
5,595,259 A	*	1/1997	Gilliland et al.	180/332
D384,478 S	*	9/1997	Prehn et al.	D34/35
D386,876 S	*	11/1997	Niebuhr	D34/34

D392,083 S	*	3/1998	Wu	D34/27
5,964,313 A	*	10/1999	Guy	180/332
6,125,971 A	*	10/2000	Niebuhr et al.	187/231
D445,552 S	*	7/2001	Pulskamp et al.	D34/35
D445,553 S	*	7/2001	Pulskamp et al.	D34/35
D449,145 S	*	10/2001	Wu	D34/27
D450,169 S	*	11/2001	Pulskamp et al.	D34/35
D450,417 S	*	11/2001	Pulskamp et al.	D34/35

* cited by examiner

Primary Examiner—Cynthia E. Ramirez

(74) *Attorney, Agent, or Firm*—Quarles & Brady LLP

(57) **CLAIM**

The ornamental design for a control handle for a material handling vehicle, as shown and described.

DESCRIPTION

FIG. 1 is a top, left, front perspective view of a control handle for a material handling vehicle embodying my new design;

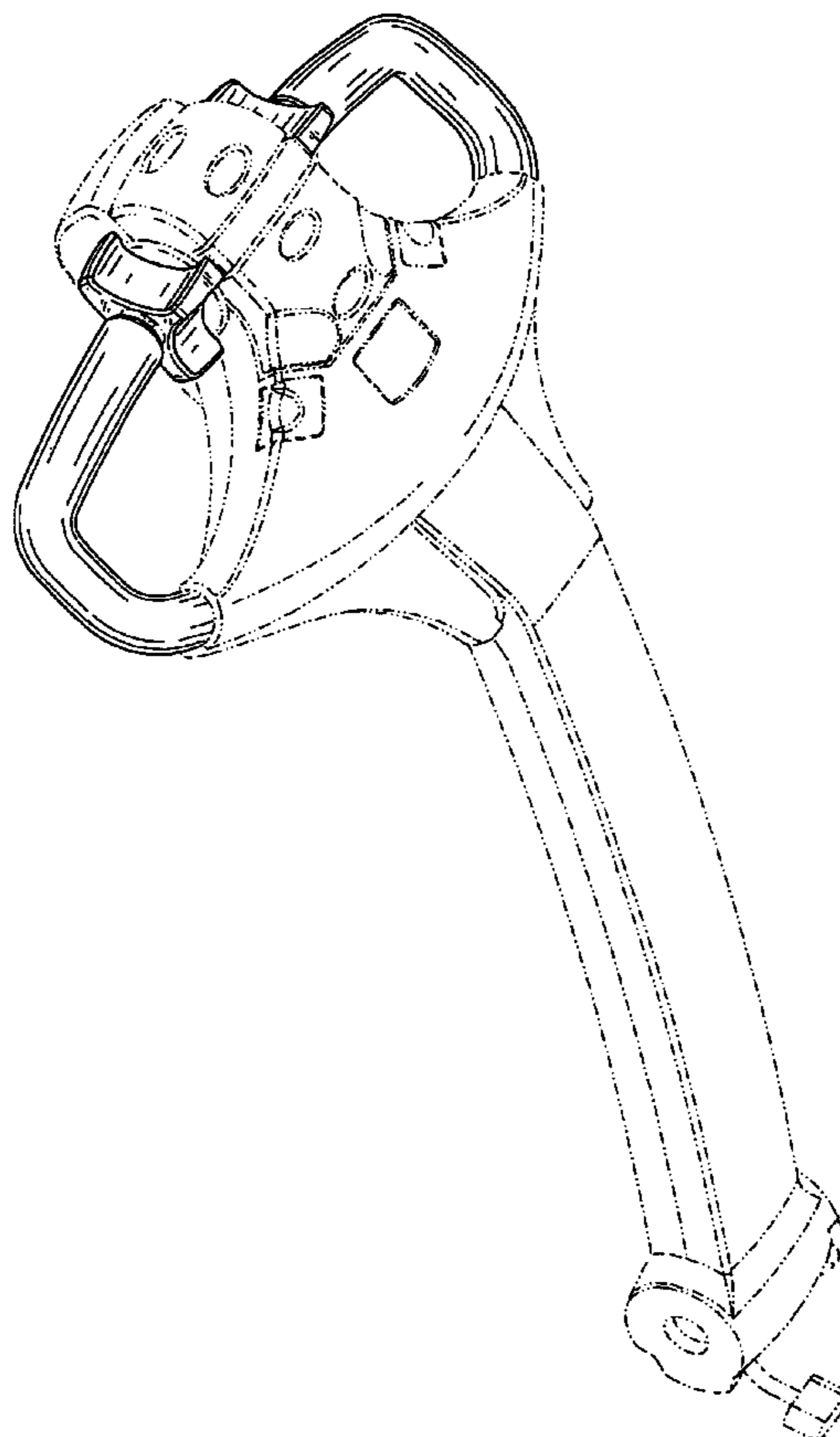
FIG. 2 is a front elevational view thereof;

FIG. 3 is a rear elevational view thereof; and,

FIG. 4 is a left side elevational view thereof, the right side elevational view being a mirror image of the left side shown.

The broken line representations of a tiller stem in FIGS. 1–4, of holes in FIGS. 1 and 3, and of holes for control elements in FIGS. 1–4, are for the purpose of illustration only, and form no part of the claimed design.

1 Claim, 3 Drawing Sheets



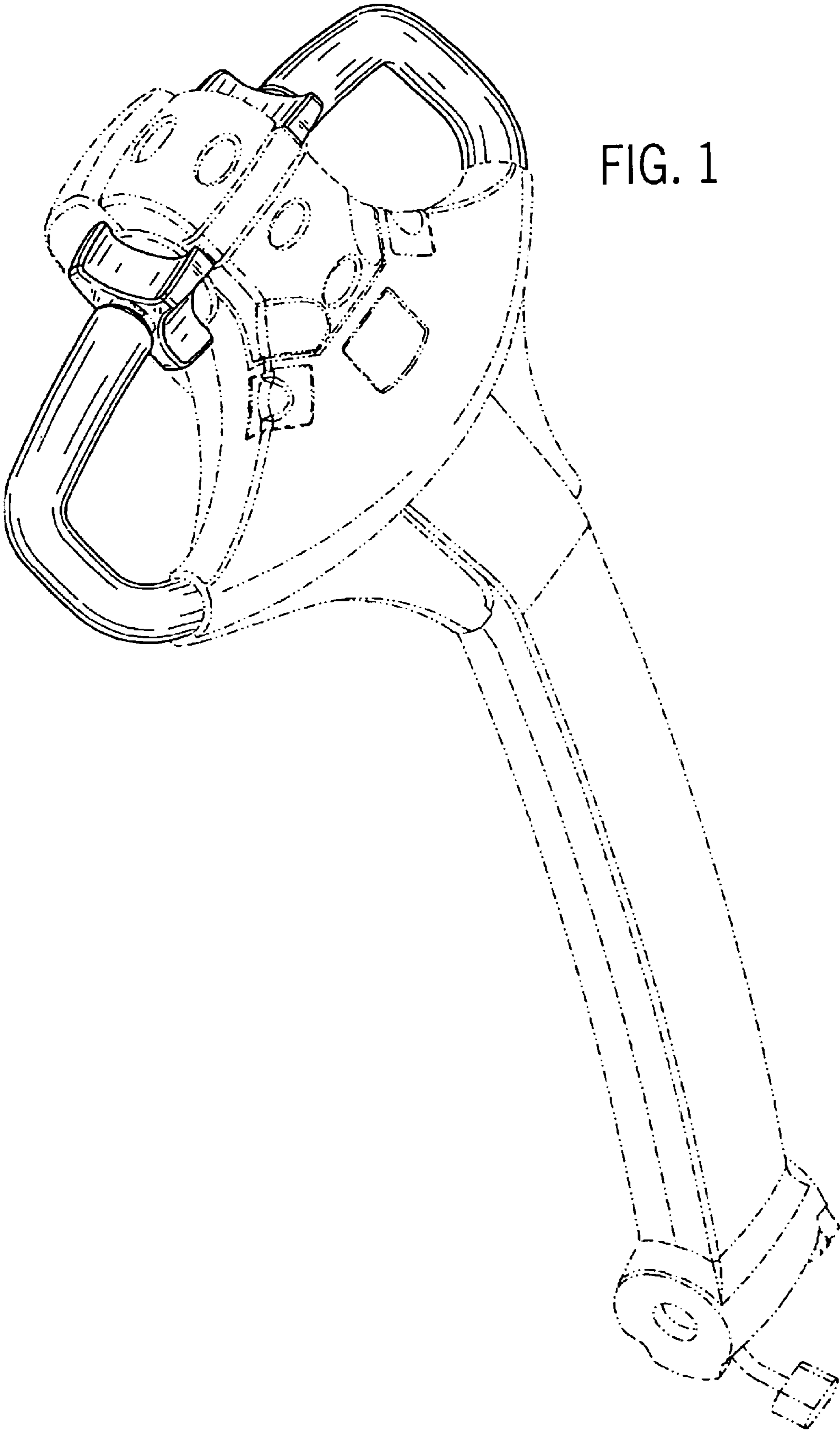


FIG. 1

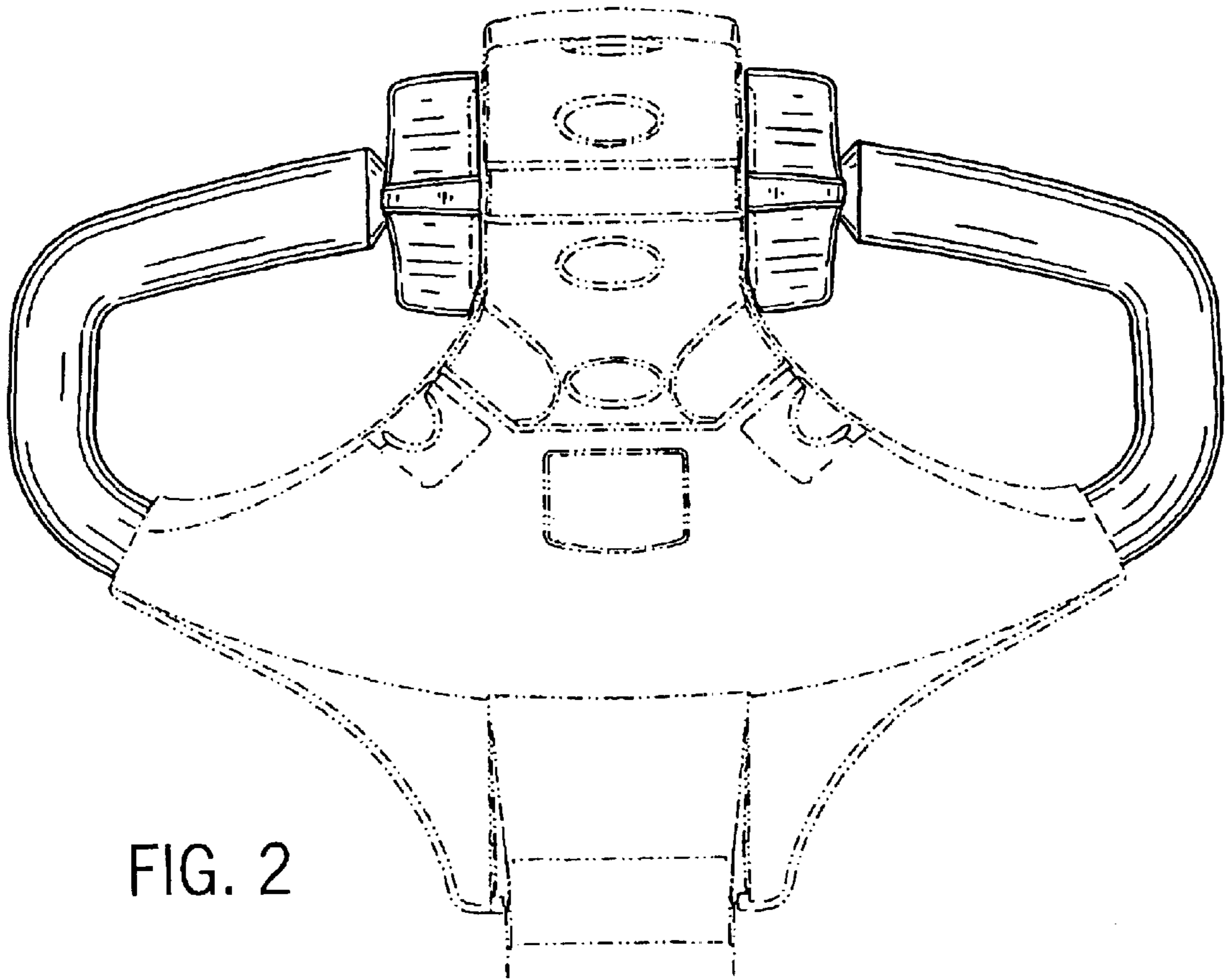


FIG. 2

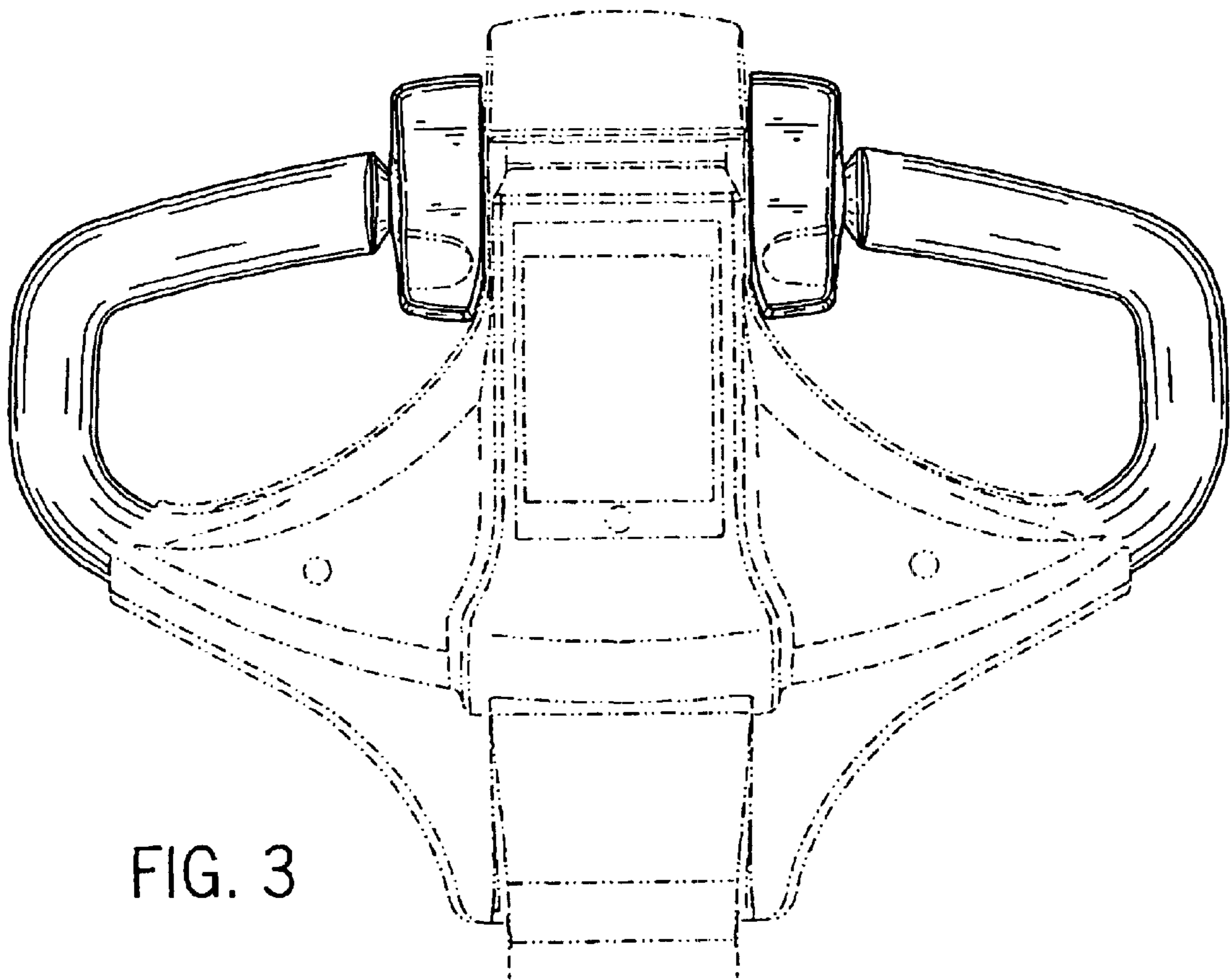


FIG. 3

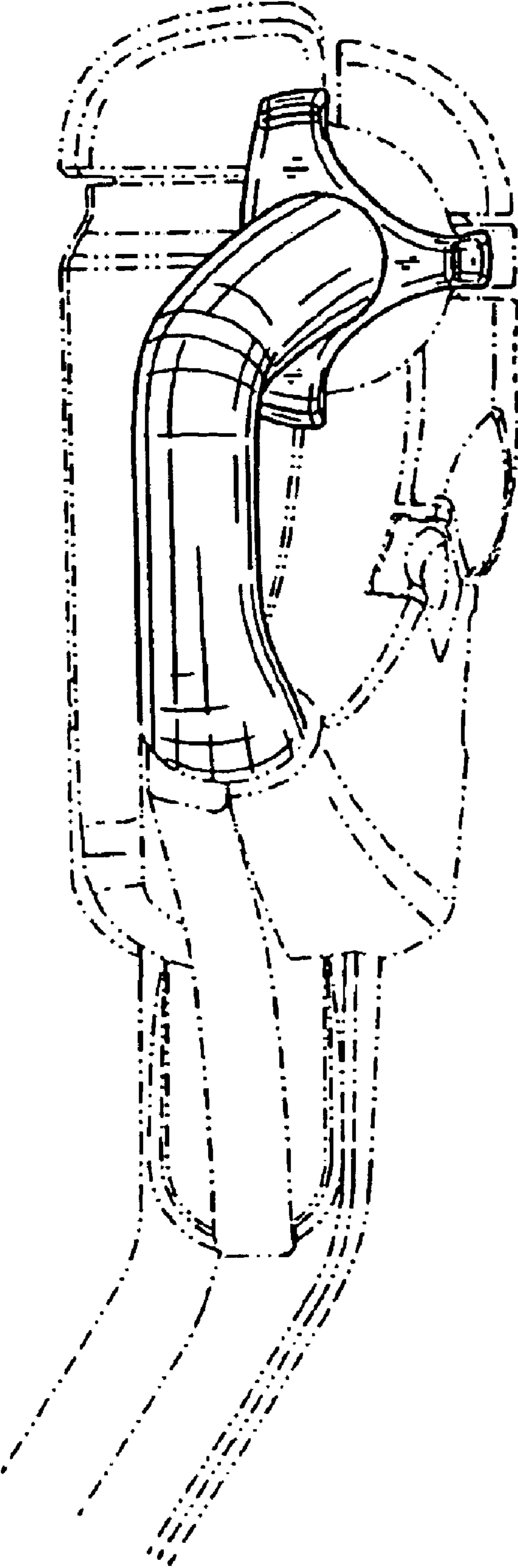


FIG. 4