

US00D497461S1

(12) **United States Design Patent**  
**Rhodes**

(10) **Patent No.:** **US D497,461 S**  
(45) **Date of Patent:** **\*\* Oct. 19, 2004**

(54) **PAN COVER**

D336,850 S \* 6/1993 Guillin ..... D9/425 X  
5,779,080 A \* 7/1998 Corse ..... 220/912 X

(76) **Inventor:** **Carl F. Rhodes**, 14468 166th St.,  
Bonner Springs, KS (US) 66012

\* cited by examiner

(\*\*) **Term:** **14 Years**

*Primary Examiner*—Alan P. Douglas  
*Assistant Examiner*—Lavone D. Tabor

(21) **Appl. No.:** **29/177,645**

(74) *Attorney, Agent, or Firm*—Chase Law Firm, L.C.

(22) **Filed:** **Mar. 13, 2003**

(57) **CLAIM**

(51) **LOC (7) Cl.** ..... **07-07**

The ornamental design for a pan cover, as shown and described.

(52) **U.S. Cl.** ..... **D32/53**

**DESCRIPTION**

(58) **Field of Search** ..... D32/35, 53, 53.1;  
D7/354, 391, 392.1, 538; D9/416, 424,  
425, 432, 435, 438, 443; 220/212.5, 269,  
351, 784, 791, 793, 794, 799, 805, 835,  
912; 249/121

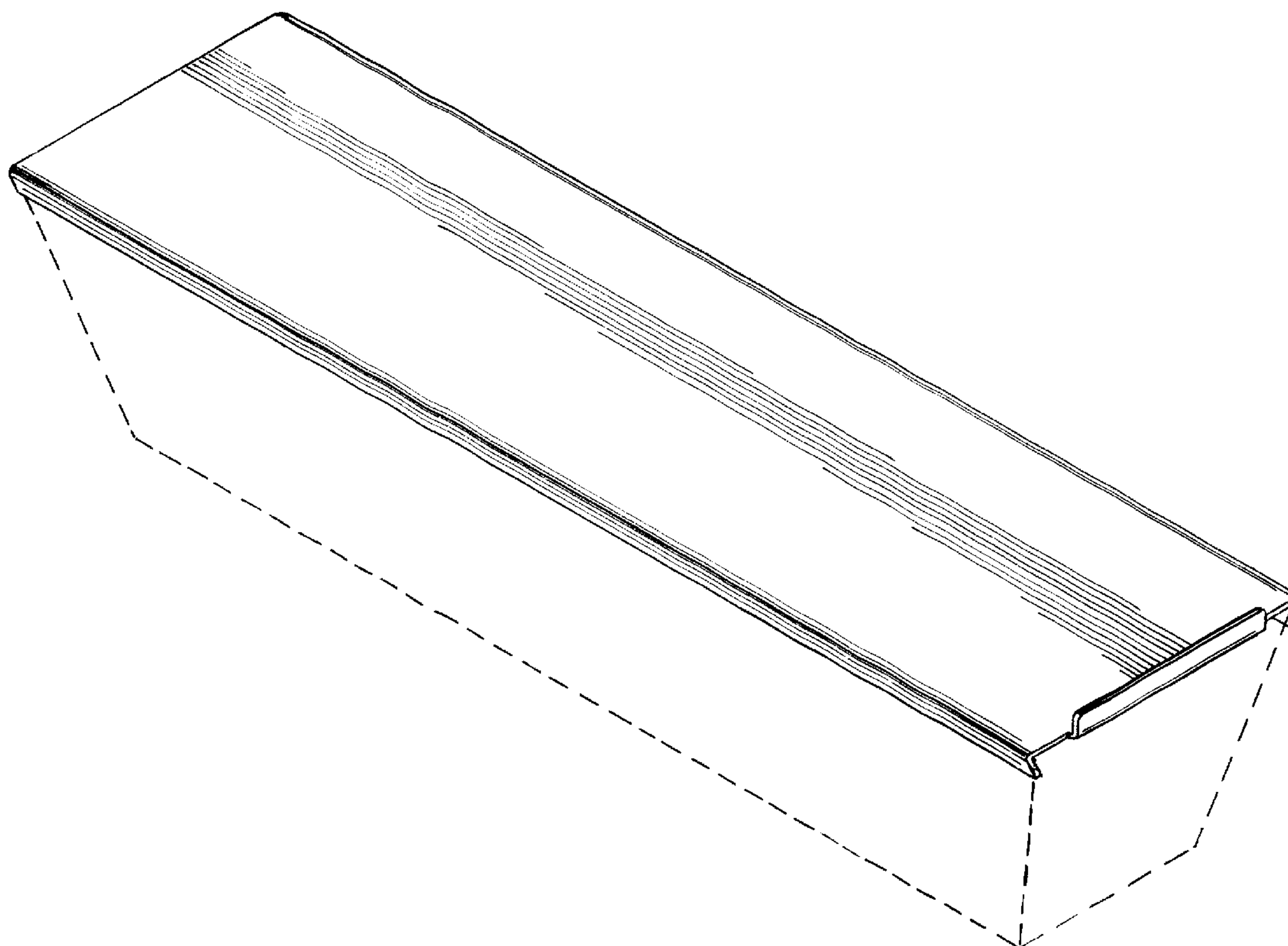
FIG. 1 is a perspective view of a pan cover showing my new design,  
FIG. 2 is a top view thereof,  
FIG. 3 is a side elevational view thereof,  
FIG. 4 is a bottom view thereof,  
FIG. 5 is an elevational view of the right end of the pan cover as illustrated in FIGS. 1 through 4; and,  
FIG. 6 is an elevational view of the left end thereof.  
The broken line structure shown in FIG. 1 is for illustrative purposes only and forms no part of the claimed design.

(56) **References Cited**

**U.S. PATENT DOCUMENTS**

1,525,046 A \* 2/1925 Putter  
D136,177 S \* 8/1943 Crane ..... D7/354  
3,374,982 A \* 3/1968 Sallade ..... 249/121  
3,414,229 A \* 12/1968 Norberg ..... 249/121

**1 Claim, 2 Drawing Sheets**



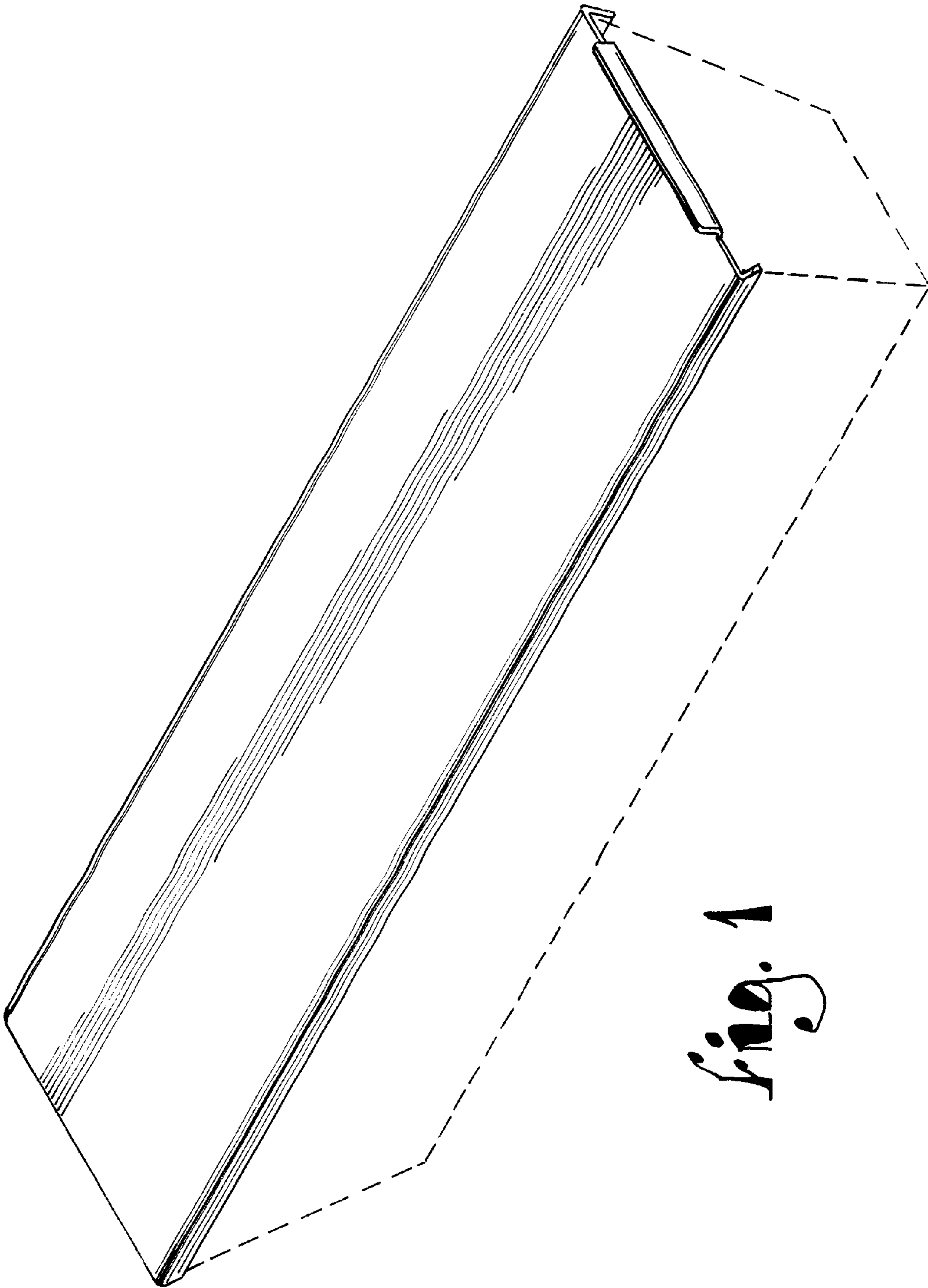
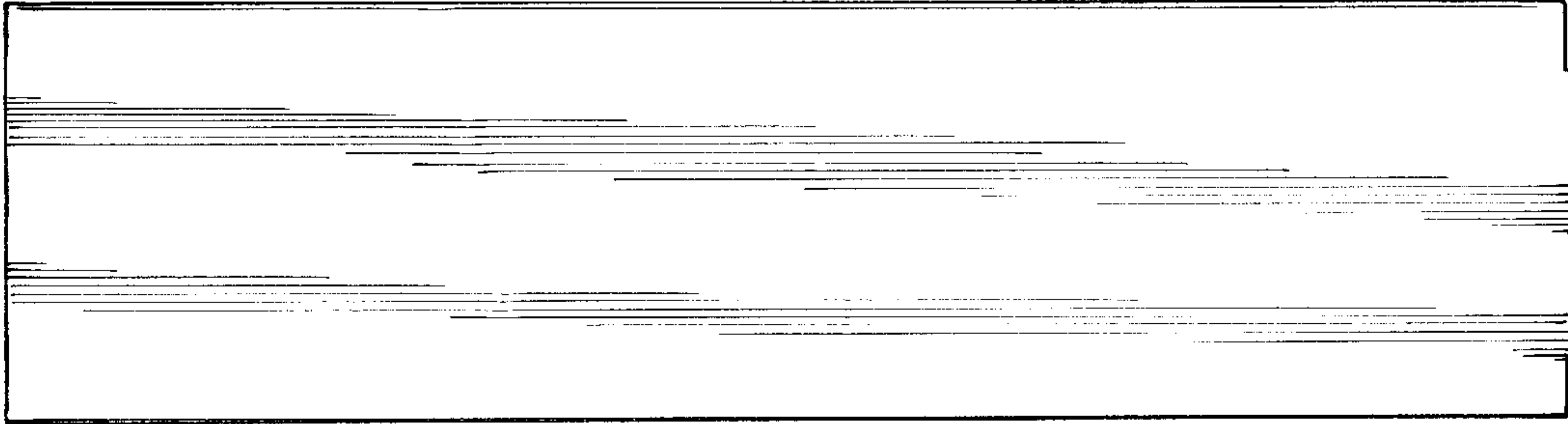


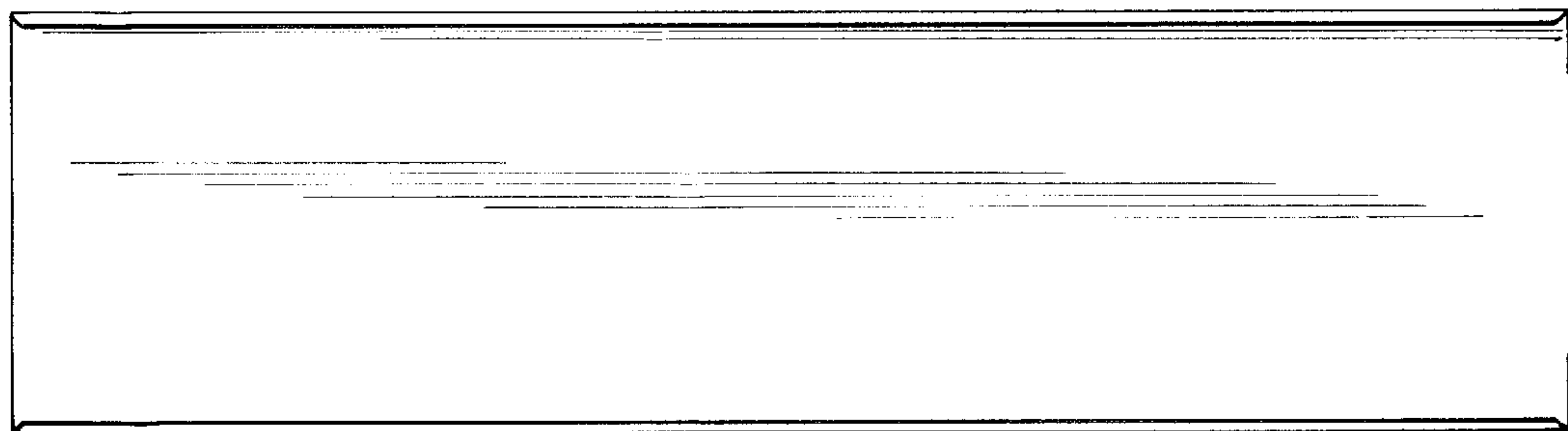
fig. 1



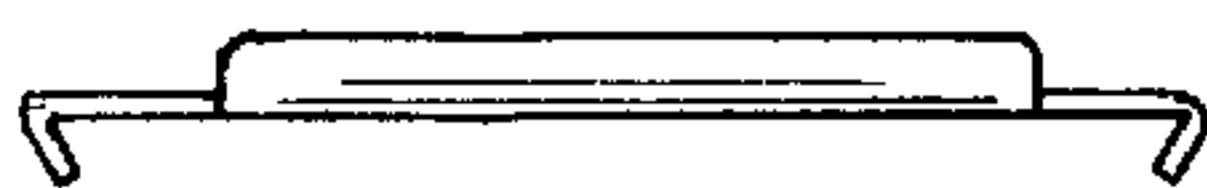
*Fig. 2*



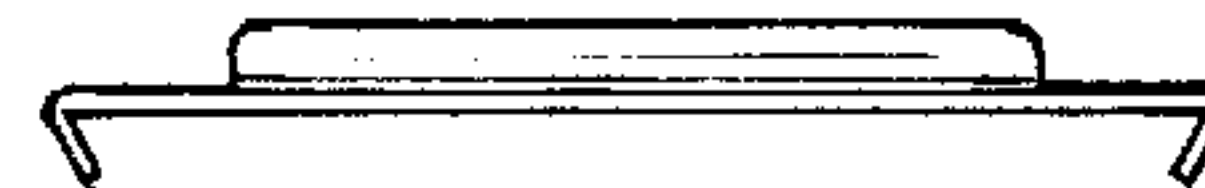
*Fig. 3*



*Fig. 4*



*Fig. 5*



*Fig. 6*