

US00D497455S1

(12) **United States Design Patent** (10) **Patent No.:** **US D497,455 S**
Lee (45) **Date of Patent:** **** Oct. 19, 2004**

(54) **ELONGATED CYLINDRICAL CONTAINER FOR MASCARA**

2001/0052348 A1 * 12/2001 Fischer et al. 132/218

* cited by examiner

(76) **Inventor:** **Jennifer Paulson Lee**, 81 Nethermont Ave., North White Plains, NY (US) 10603

Primary Examiner—Jennifer Rivard
(74) *Attorney, Agent, or Firm*—Morgan & Finnegan LLP

(**) **Term:** **14 Years**

(57) **CLAIM**

I claim the ornamental design for an elongated cylindrical container, as shown and described.

(21) **Appl. No.:** **29/175,079**

(22) **Filed:** **Jan. 29, 2003**

DESCRIPTION

(51) **LOC (7) Cl.** **28-03**

FIG. 1 is a perspective view illustrating the end and one longitudinal side of a design for an elongated cylindrical container, the design being characterized by the concave cylindrical section which is illustrated as a transparent material;

(52) **U.S. Cl.** **D28/76**

FIG. 2 is a side elevational view thereof, it being understood that the opposite side is identical in appearance;

(58) **Field of Search** D28/76, 77, 85, D28/87, 88, 89; 132/297, 301, 218, 314, 318, 320, 313; D9/553, 549; 206/385, 581

FIG. 3 is an end elevational view thereof; and,

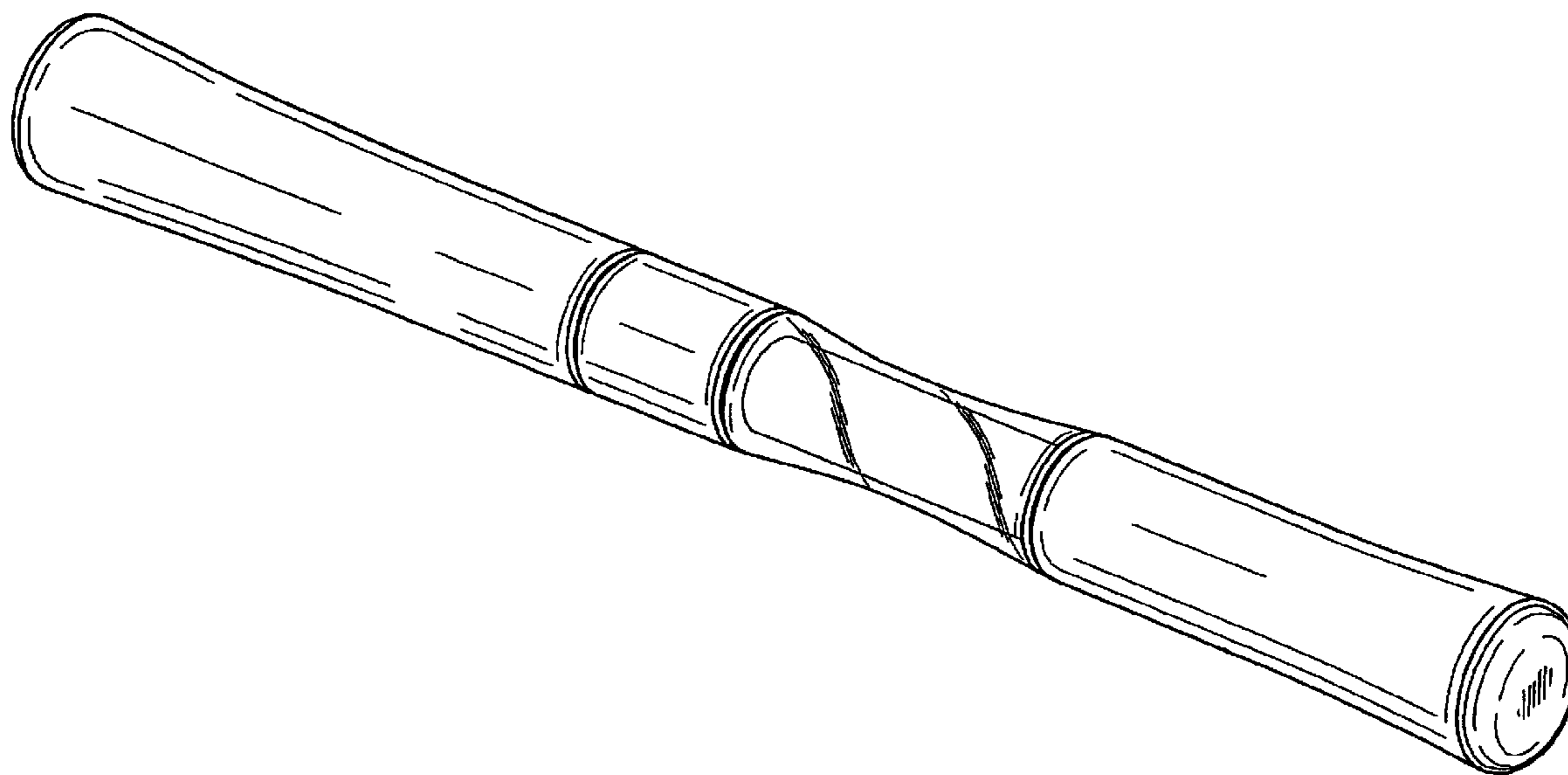
(56) **References Cited**

U.S. PATENT DOCUMENTS

D197,107 S	12/1963	Forgue	
D209,340 S	* 11/1967	Jones, Jr.	D9/426
3,677,271 A	* 7/1972	Luciano	132/314
3,998,235 A	12/1976	Kingsford	
D419,266 S	* 1/2000	Gobe	D28/89
D464,773 S	* 10/2002	Fischer et al.	D28/77
6,505,631 B2	* 1/2003	Fischer et al.	132/218

FIG. 4 is a perspective view of an alternate embodiment of FIG. 1, the only difference being that the concave cylindrical section which characterizes the design is an opaque material, it being understood that all other surfaces are the same as those of the first embodiment.

1 Claim, 3 Drawing Sheets



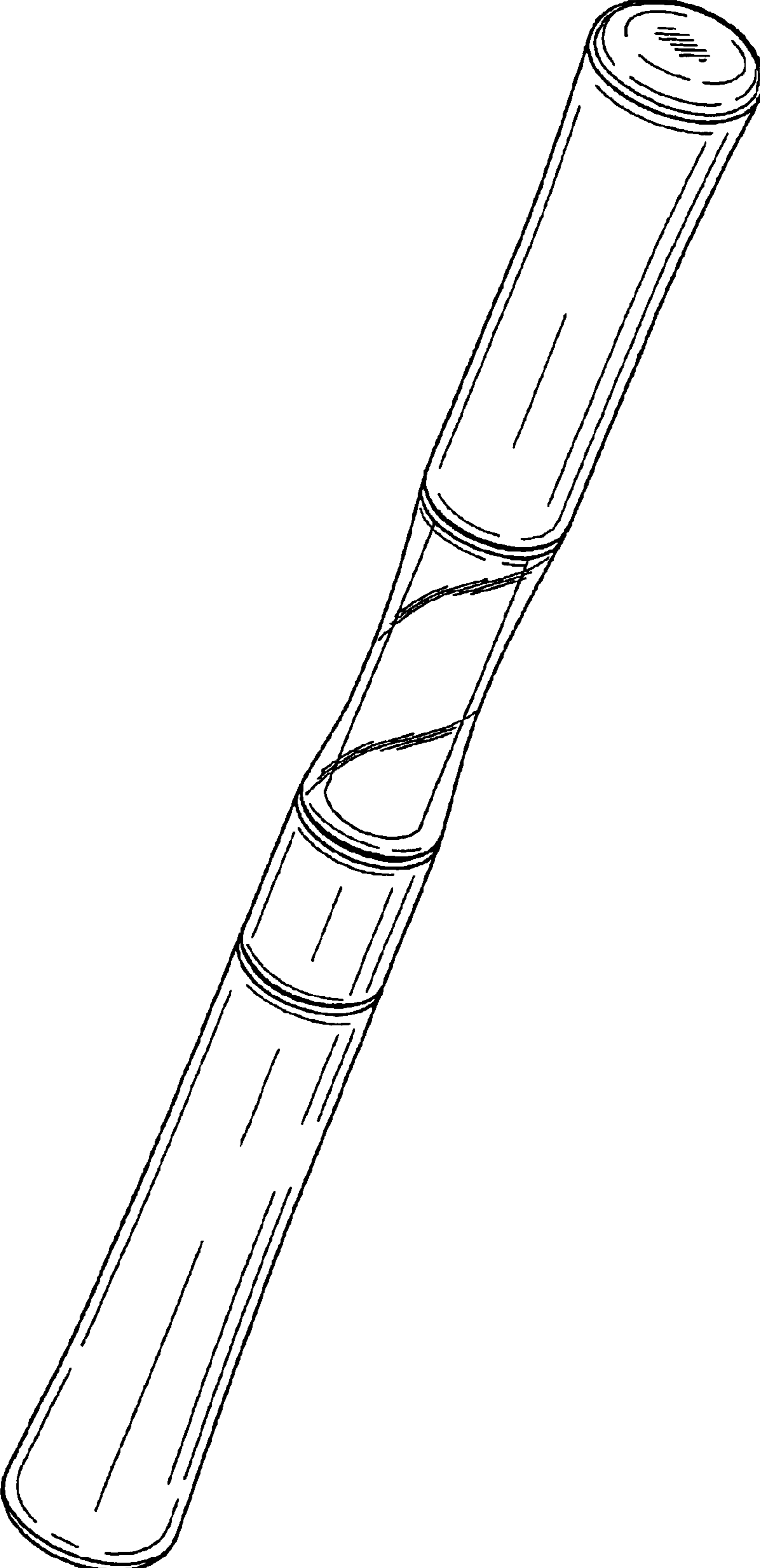


FIG. 1

FIG. 2

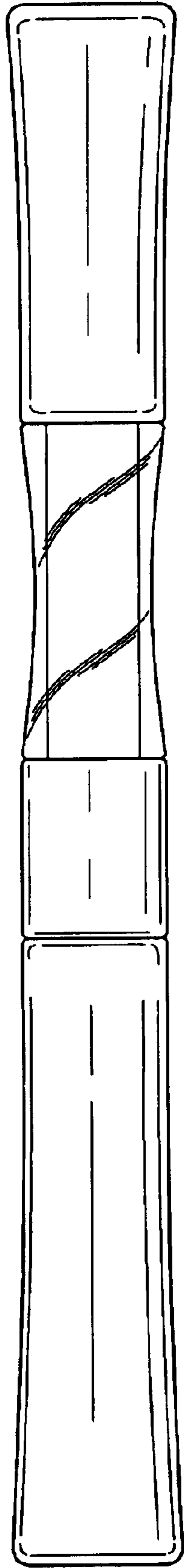
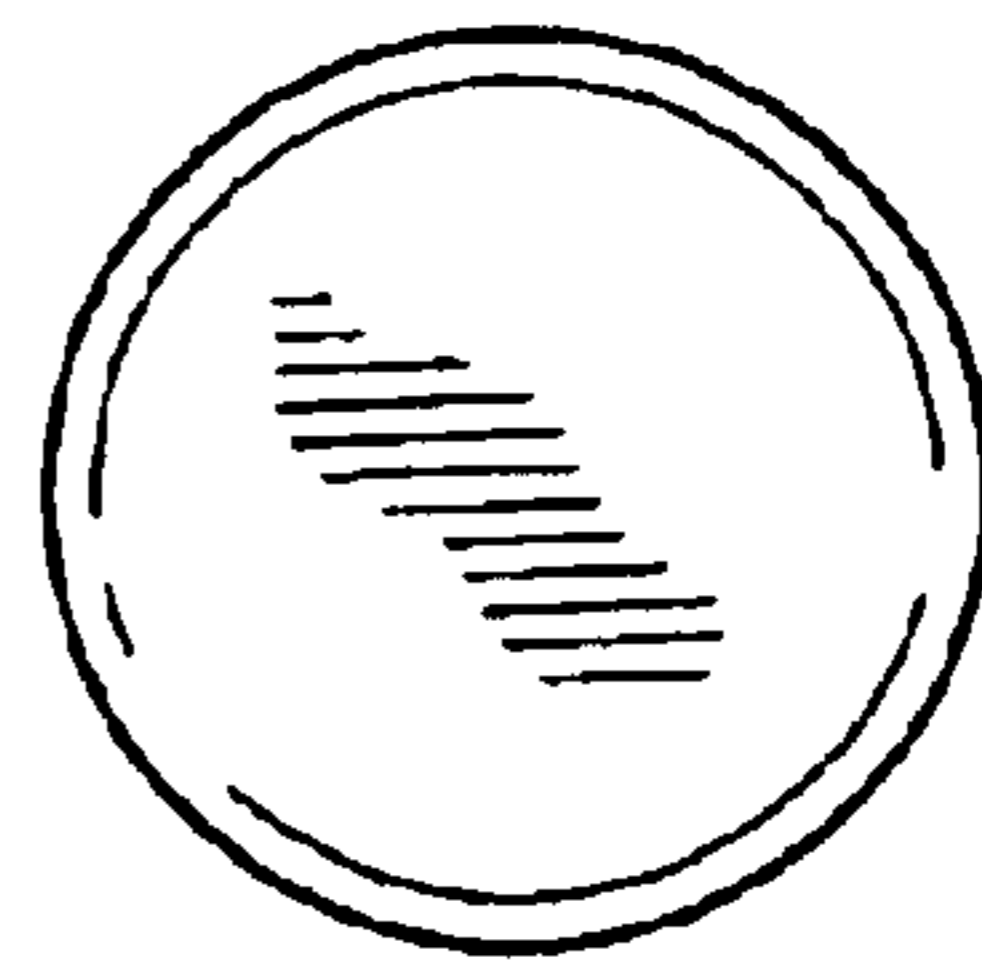


FIG. 3



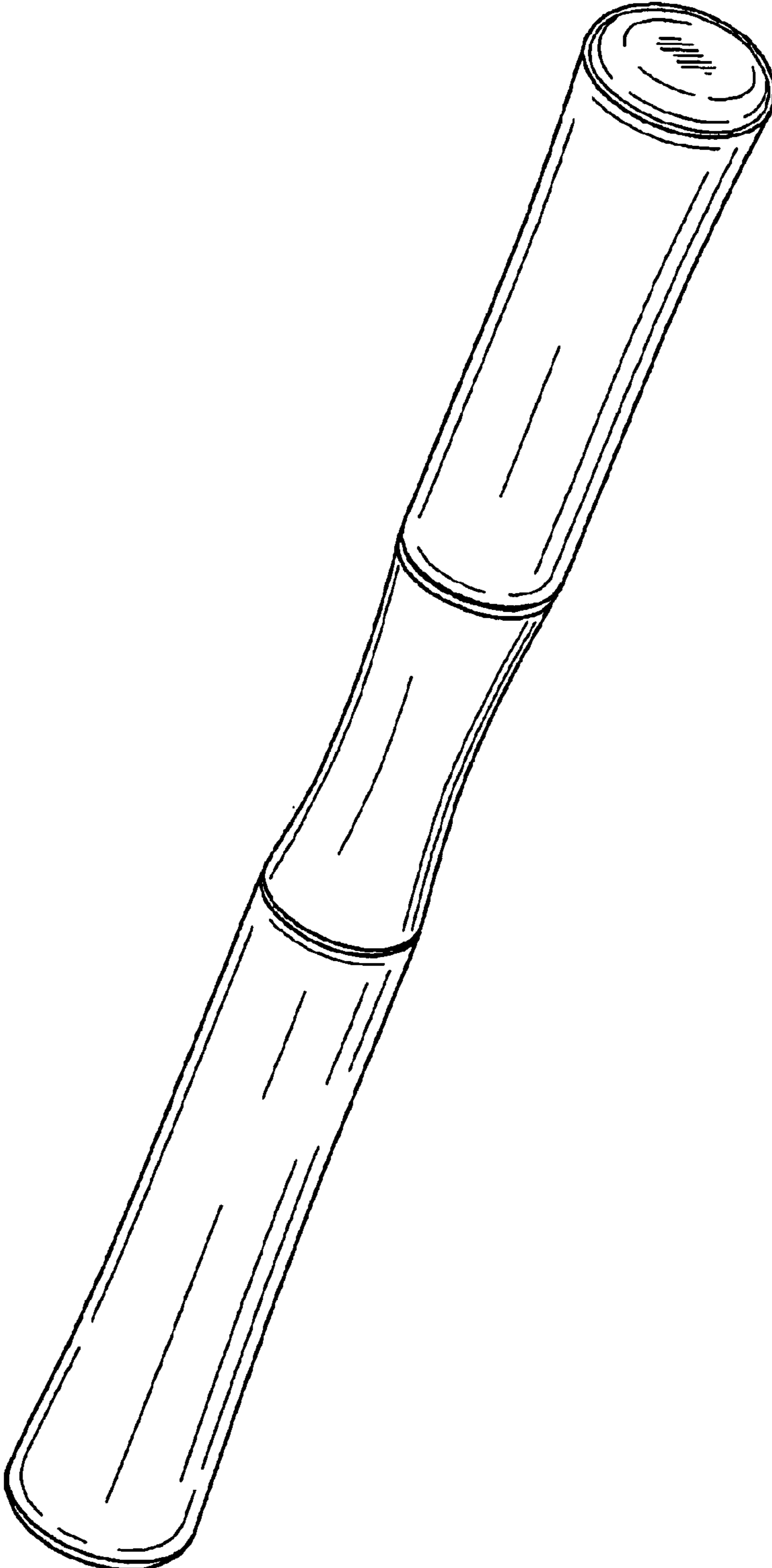


FIG. 4