

US00D497453S1

(12) **United States Design Patent**
Dashefsky

(10) **Patent No.:** **US D497,453 S**

(45) **Date of Patent:** **** Oct. 19, 2004**

(54) **NAIL ACCESSORY DISPLAY AND STORAGE ORGANIZER**

(75) Inventor: **Daynin J. Dashefsky**, Kailua, HI (US)

(73) Assignee: **Deico LLC**, Kailua, HI (US)

(**) Term: **14 Years**

(21) Appl. No.: **29/190,835**

(22) Filed: **Sep. 26, 2003**

(51) **LOC (7) Cl.** **28-03**

(52) **U.S. Cl.** **D28/61; D28/73**

(58) **Field of Search** **D28/56, 57, 58, D28/61, 73; 132/73, 73.5, 73.6, 75, 285**

(56) **References Cited**

U.S. PATENT DOCUMENTS

| | | | | |
|-------------------|--------|------------------|-------|----------|
| D315,228 S * | 3/1991 | Stringham | | D28/73 |
| D408,470 S * | 4/1999 | Rosen | | D28/61 |
| 6,065,478 A * | 5/2000 | Hartelius et al. | | 132/73 |
| D456,951 S * | 5/2002 | Christianson | | D28/58 |
| 2004/0065336 A1 * | 4/2004 | Fung | | 132/73.5 |

* cited by examiner

Primary Examiner—Jennifer Rivard
(74) Attorney, Agent, or Firm—Martin E. Hsia

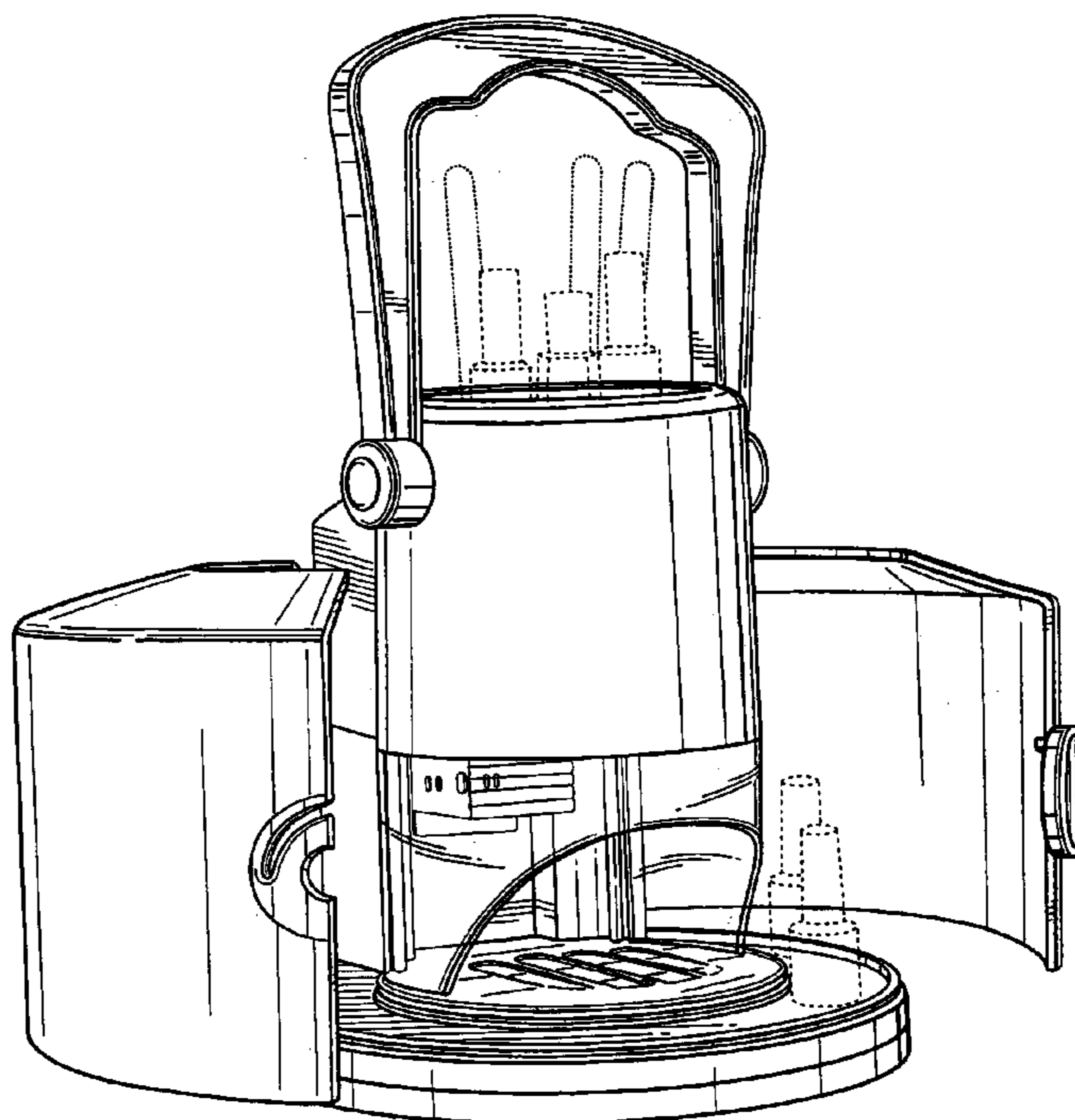
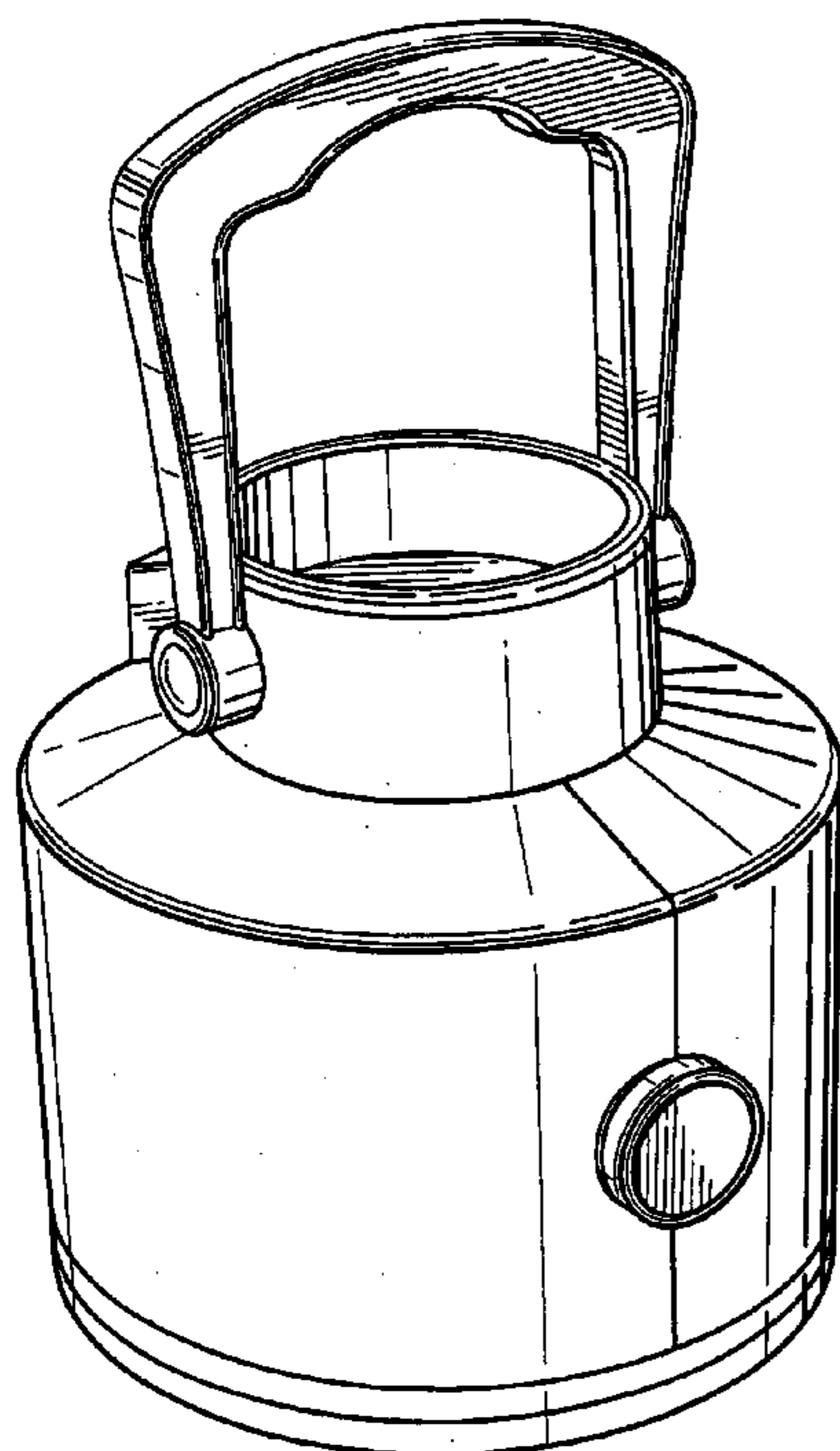
(57) **CLAIM**

The ornamental design for a nail accessory display and storage organizer, as shown and described.

DESCRIPTION

FIG. 1 is a perspective view from the front of the nail accessory display and storage organizer; FIG. 2 is a perspective view from the rear thereof; FIG. 3 is a front elevational view thereof; FIG. 4 is a rear elevational view thereof; FIG. 5 is a top plan view thereof; FIG. 6 is a bottom plan view thereof; FIG. 7 is a side elevational view from the right thereof; FIG. 8 is a side elevational view from the left thereof; FIG. 9 is a perspective view from the front thereof, in the open position, with the broken line showing environmental structure only and not forming a part of the design; and, FIG. 10 is a perspective view from the front thereof, in the open position, showing the underside.

1 Claim, 10 Drawing Sheets



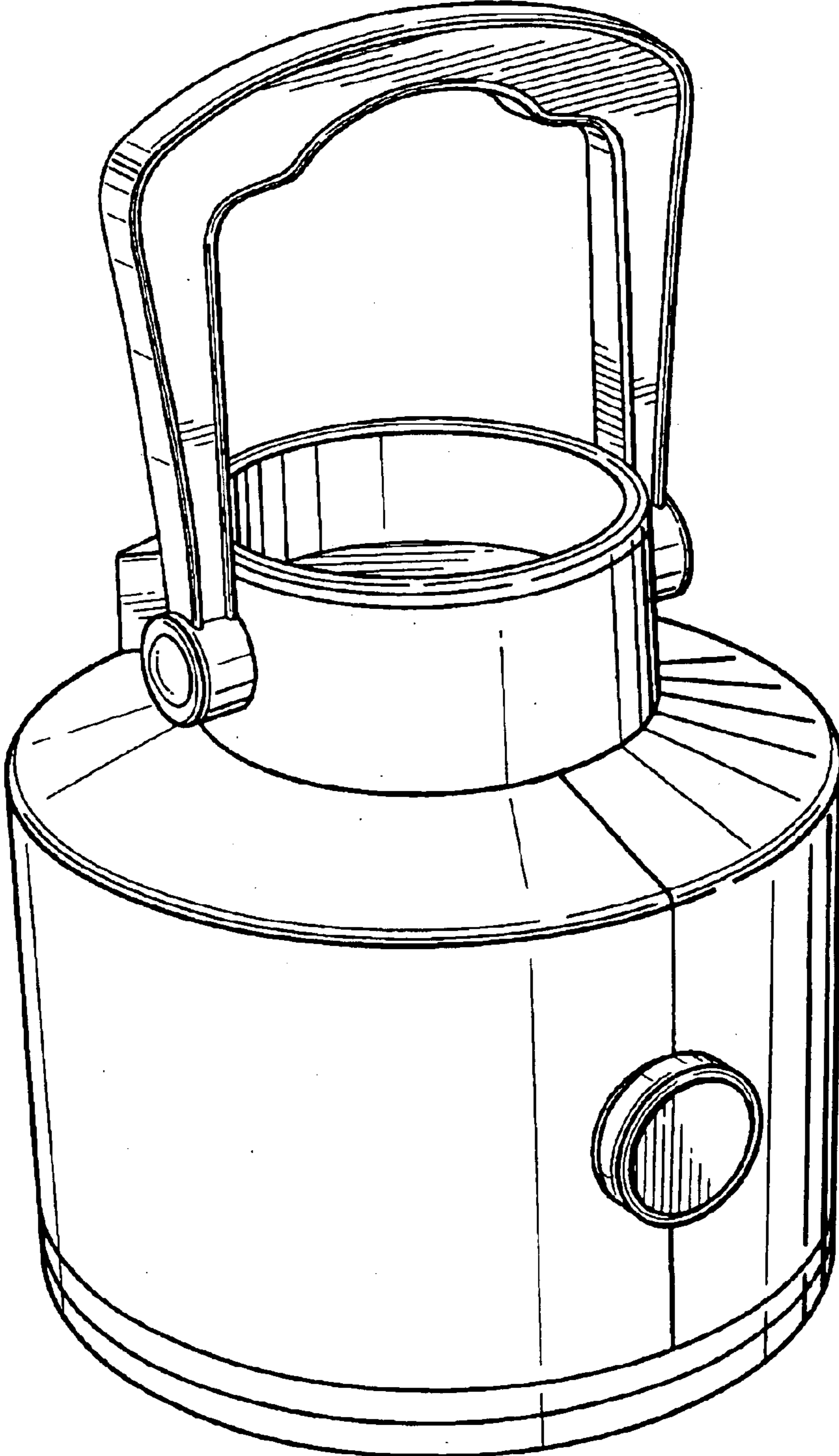


Fig. 1

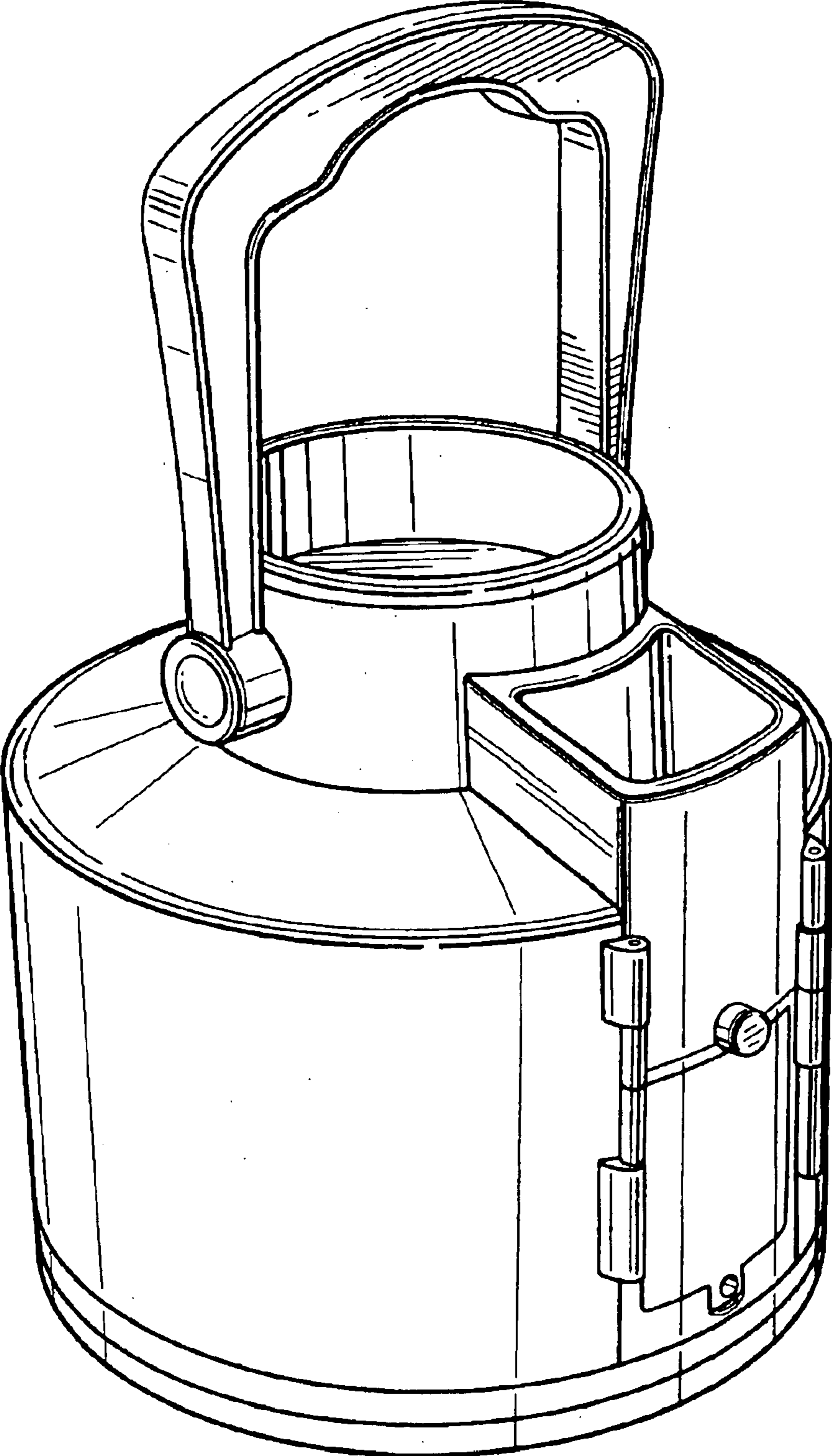


Fig. 2

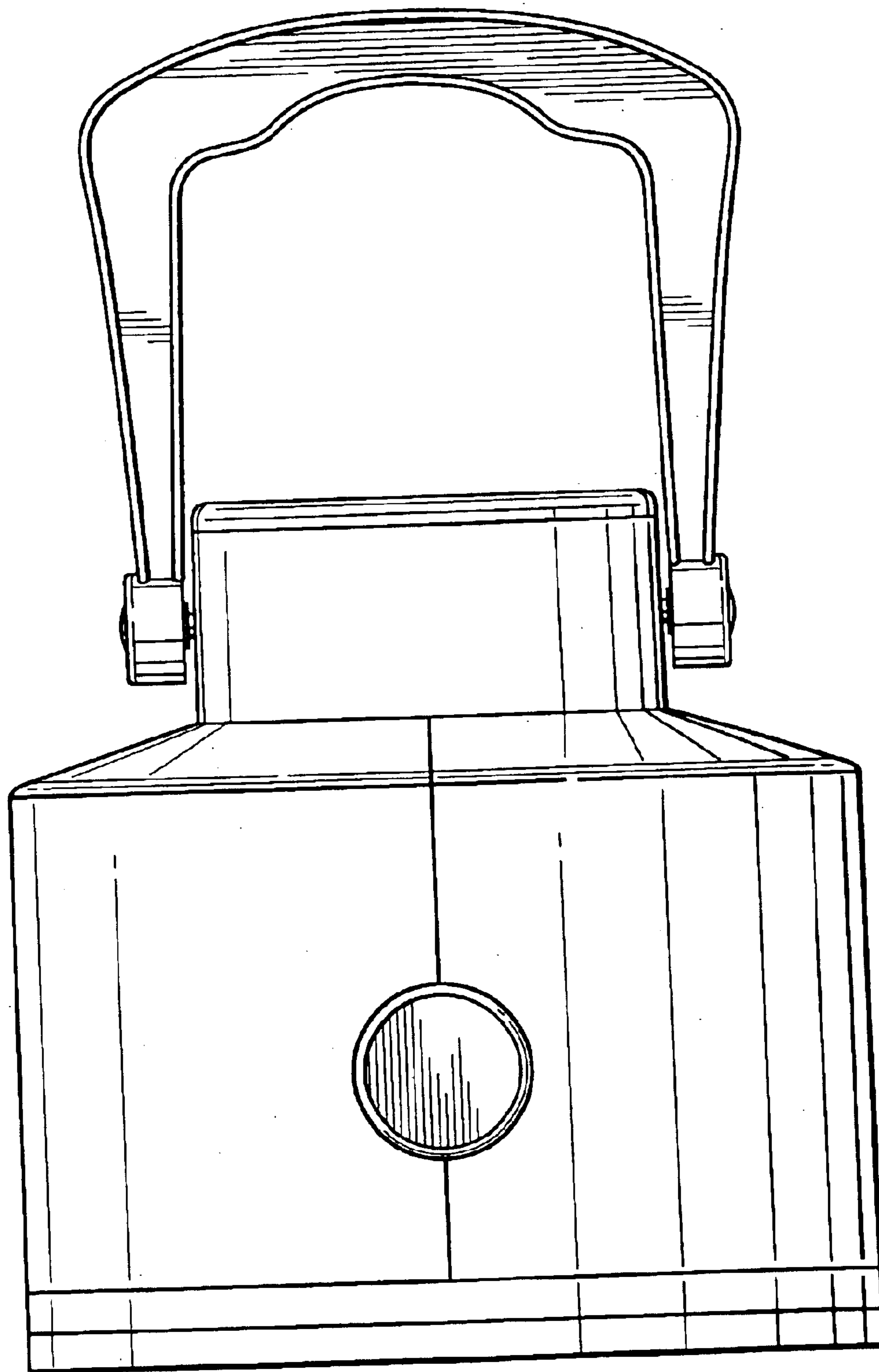


Fig. 3

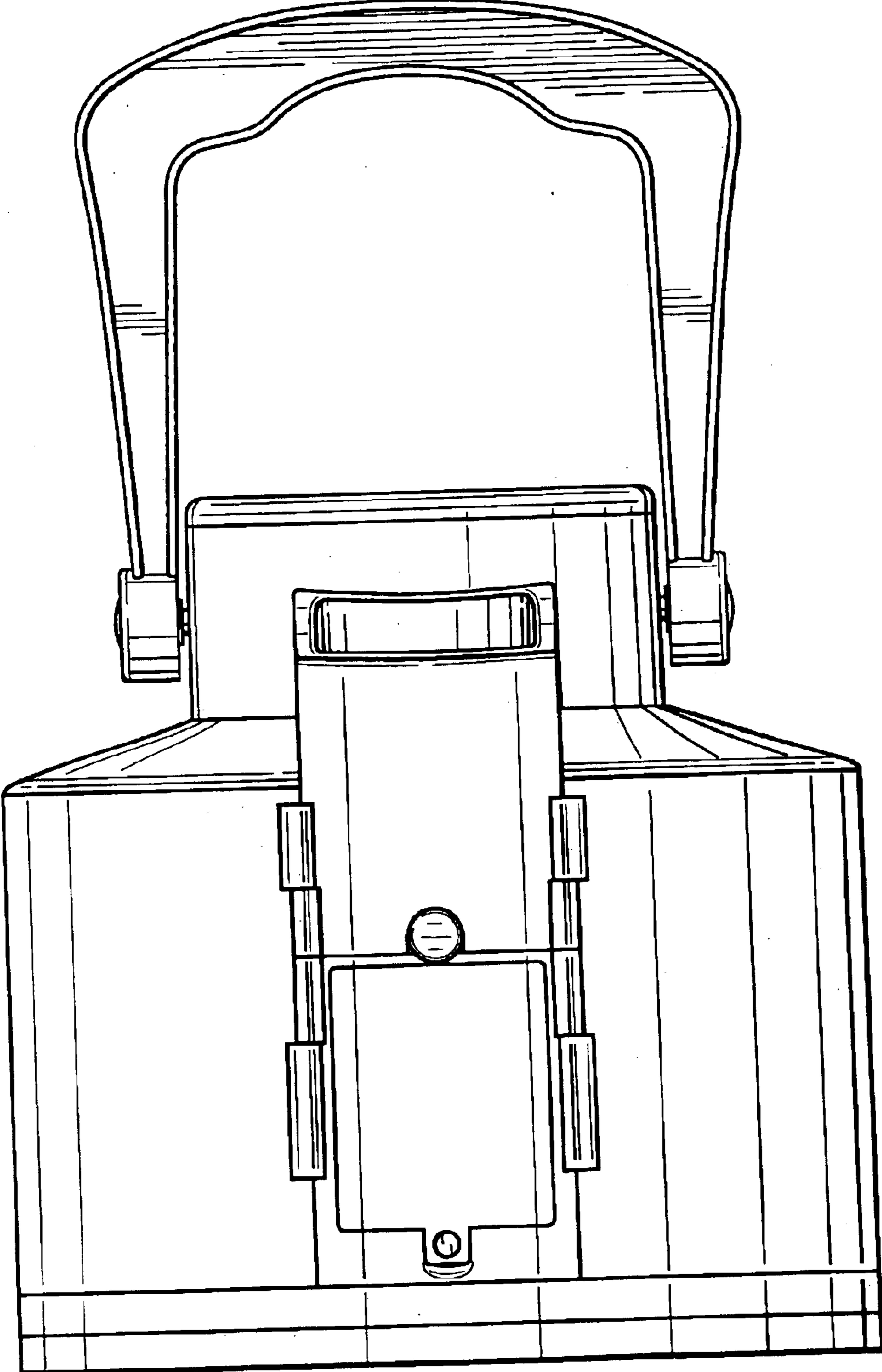


Fig. 4

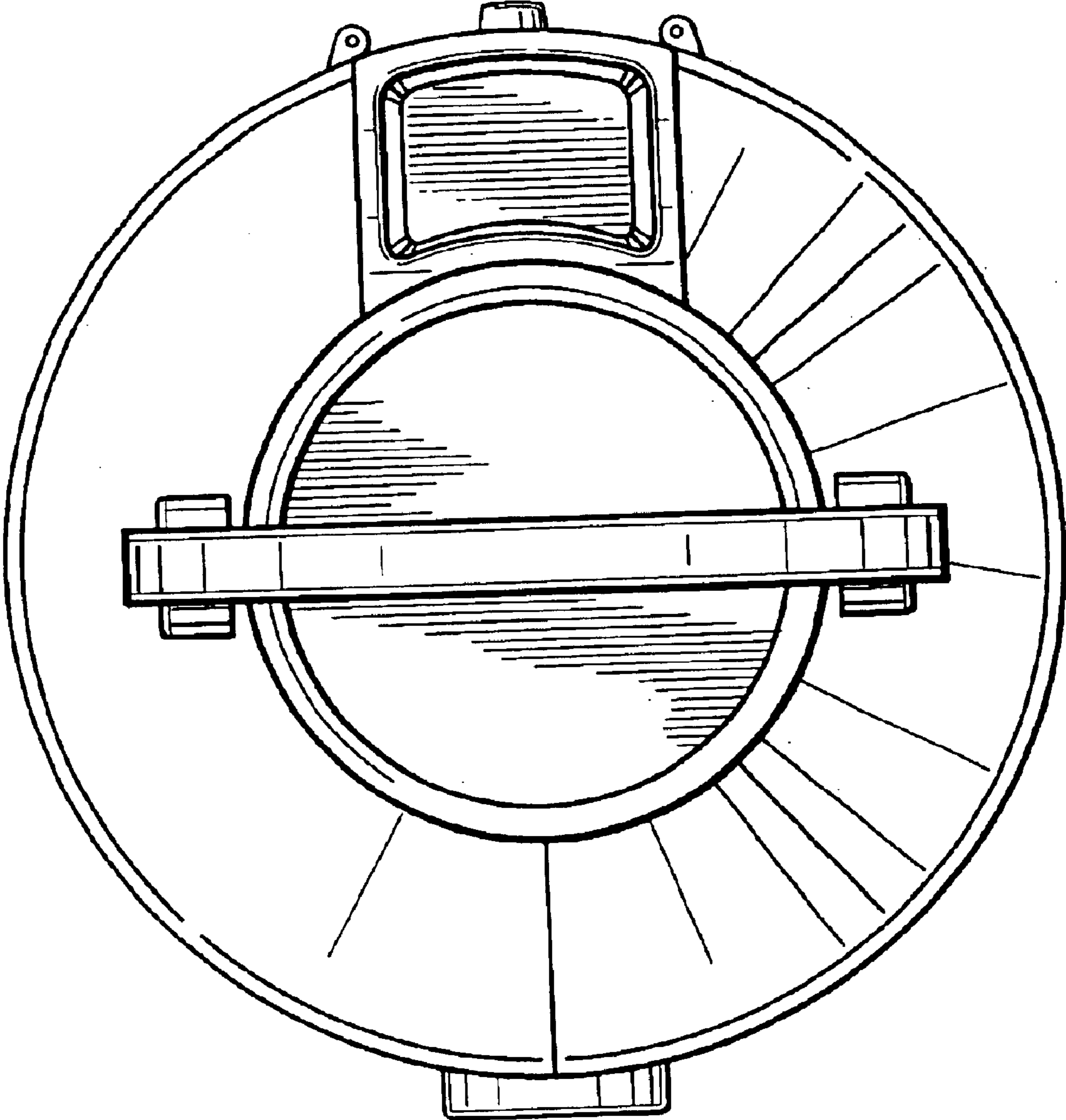


Fig. 5

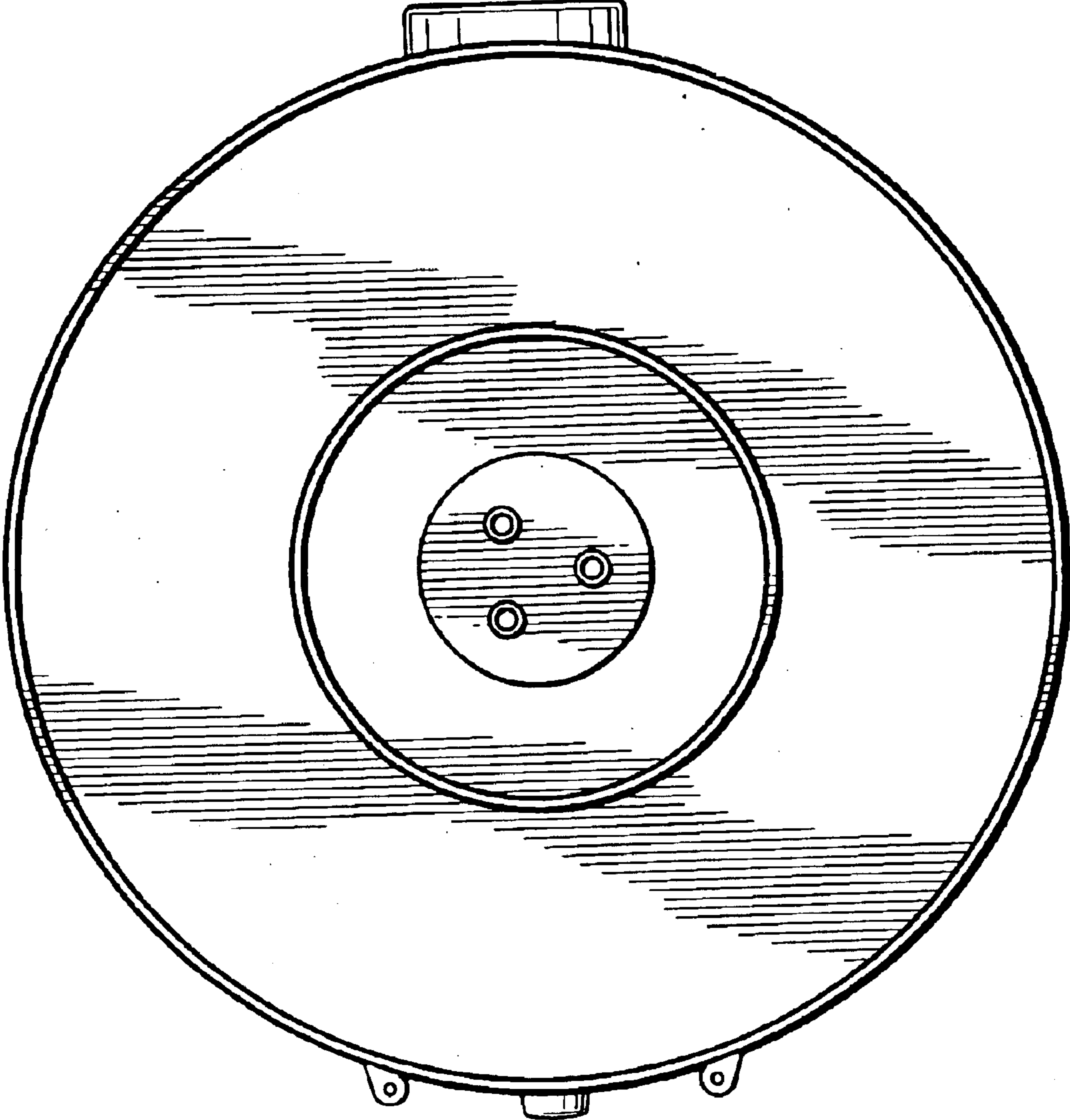


Fig. 6

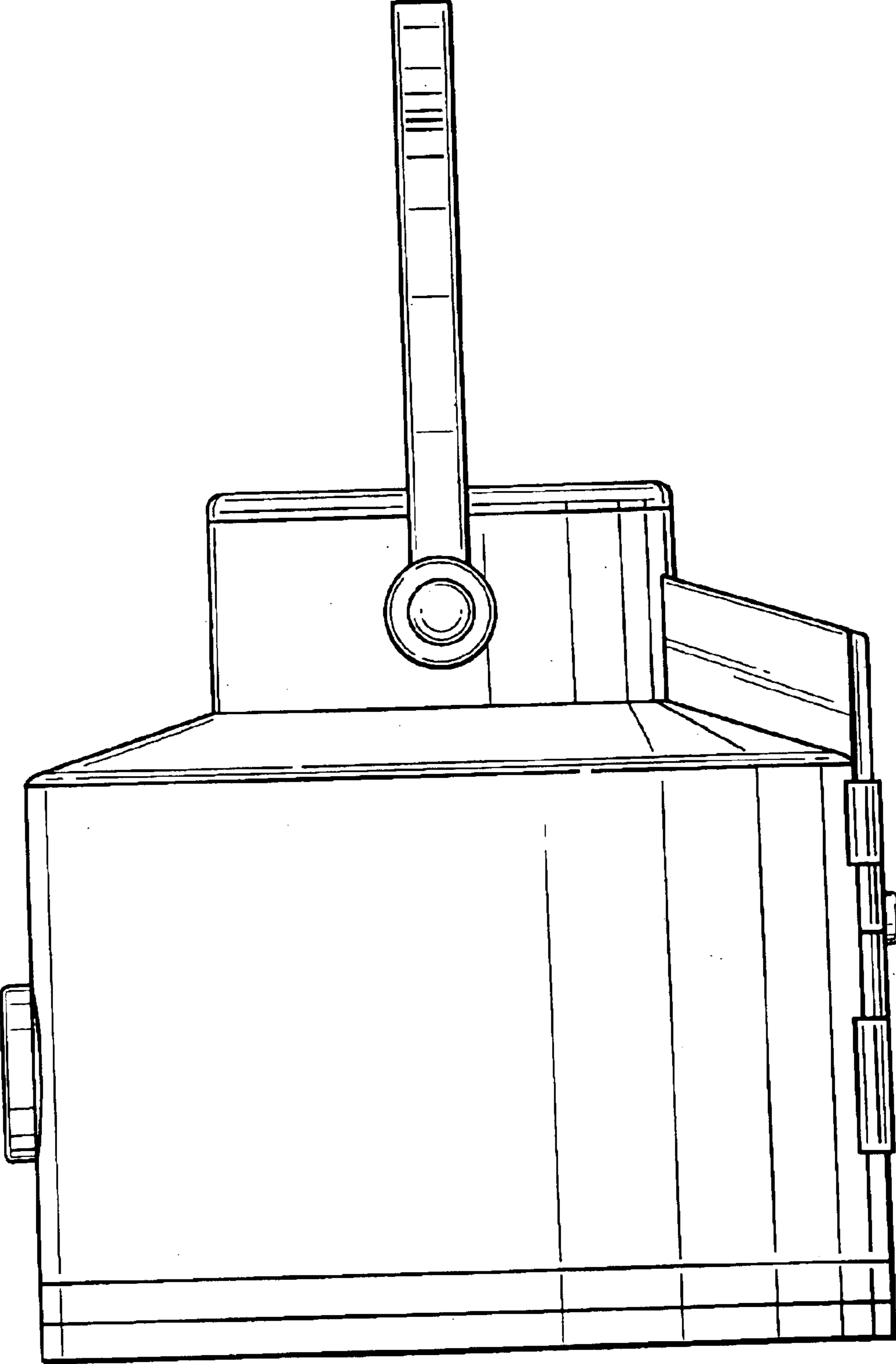


Fig. 7

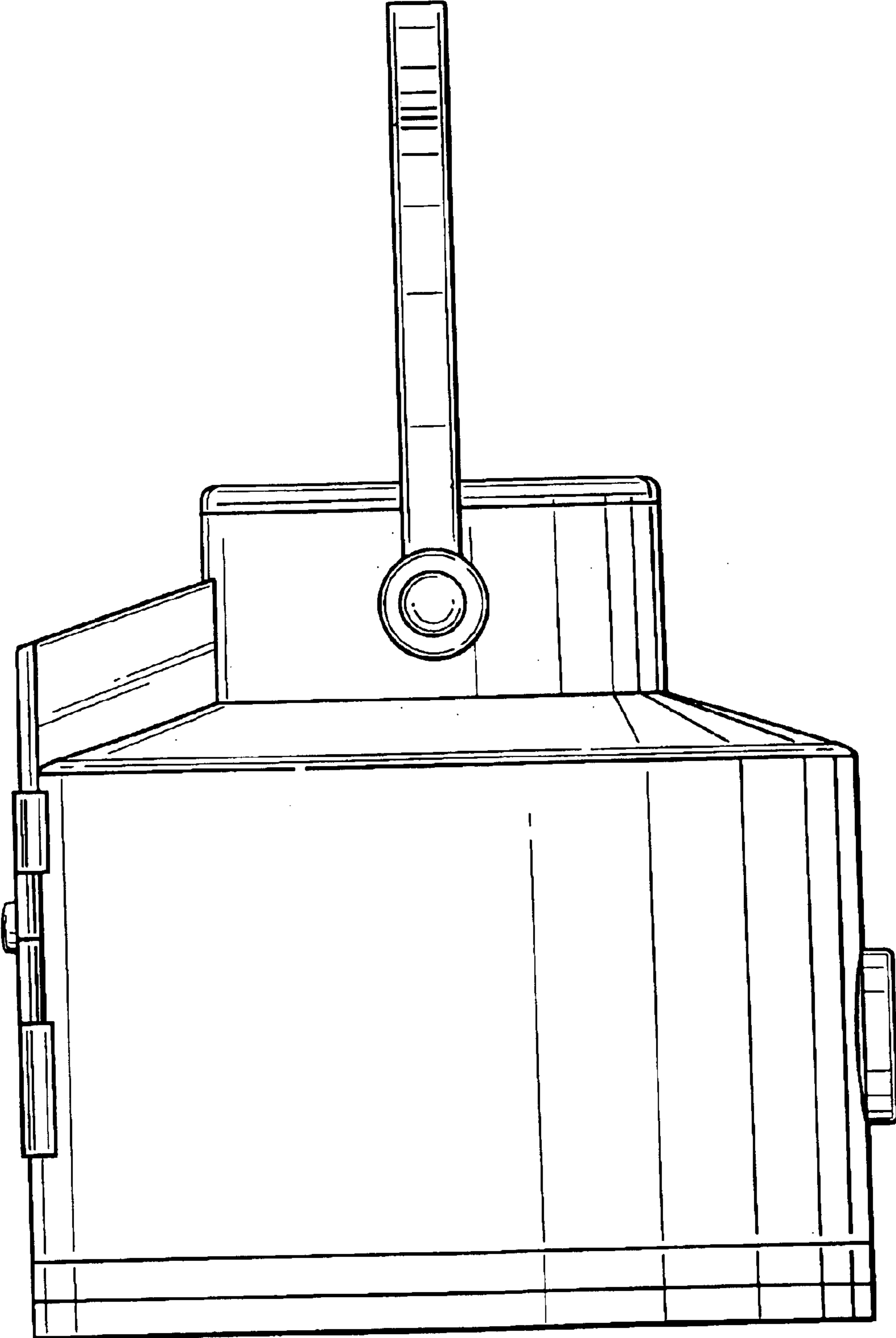


Fig. 8

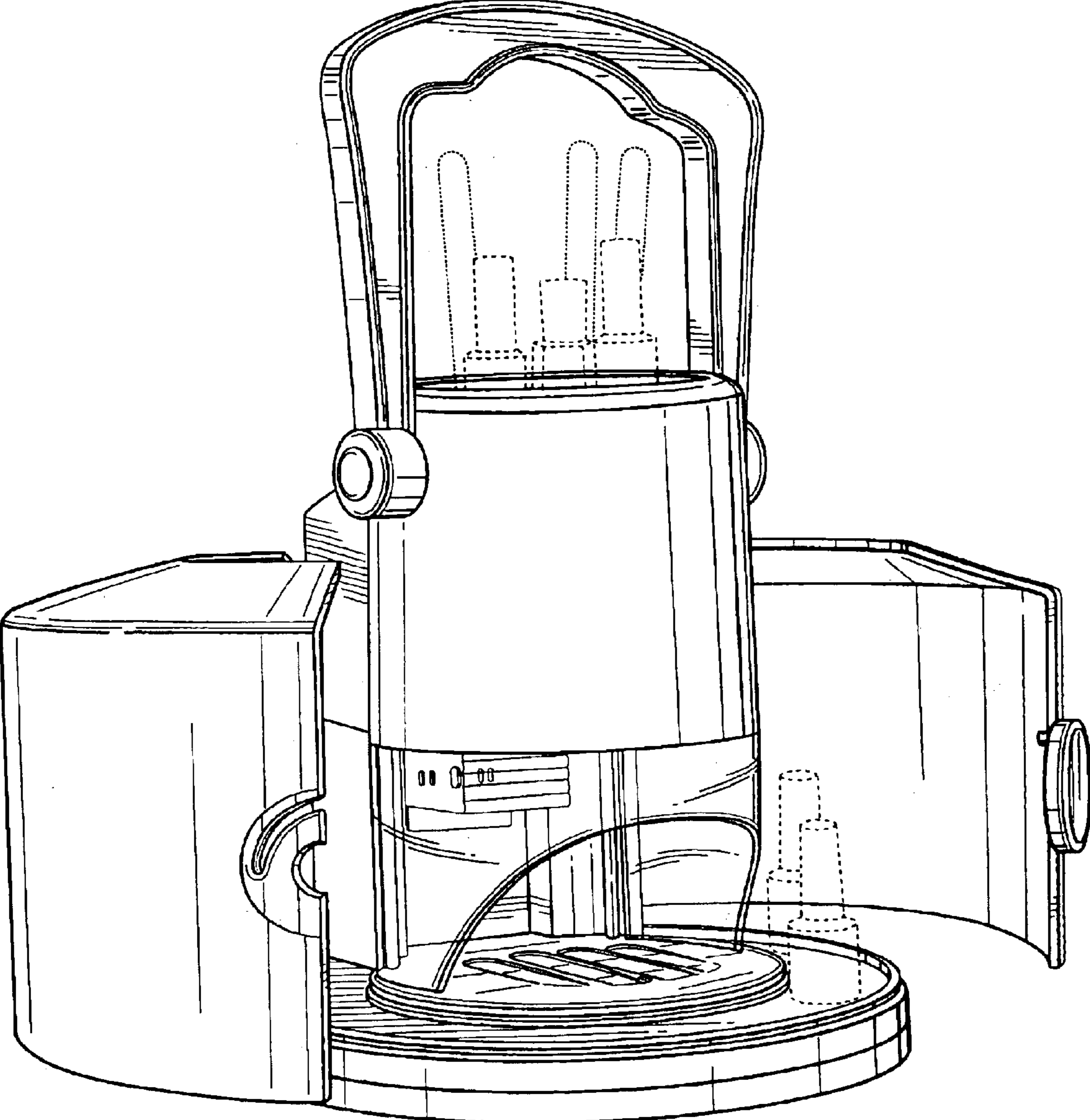


Fig. 9

Fig. 10

