

US00D497450S1

(12) **United States Design Patent**  
**Scofield**

(10) **Patent No.:** **US D497,450 S**  
(45) **Date of Patent:** **\*\* Oct. 19, 2004**

(54) **COMPACTABLE LOTION APPLICATOR**

(76) **Inventor:** **Mark N. Scofield**, 351 E. 3250 North,  
Provo, UT (US) 84604

(\*\*) **Term:** **14 Years**

(21) **Appl. No.:** **29/185,245**

(22) **Filed:** **Jun. 25, 2003**

(51) **LOC (7) Cl.** ..... **28-03**

(52) **U.S. Cl.** ..... **D28/7**

(58) **Field of Search** ..... D28/7, 63, 91.2;  
D24/119; D4/138, 137; D32/40, 51, 45;  
15/244.1, 209.1, 210.1, 143.1, 144.2, 144.1,  
144.3, 104.94; 132/320, 317; 401/6, 139,  
264, 266, 196, 202-207

(56) **References Cited**

**U.S. PATENT DOCUMENTS**

D297,467 S	*	8/1988	McCann	.....	D28/7
D310,270 S	*	8/1990	Bacal et al.	.....	D28/7
D323,038 S	*	1/1992	Tarlow	.....	D28/7
D346,041 S	*	4/1994	Trinkaus	.....	D28/7
D372,130 S	*	7/1996	Feldman et al.	.....	D4/138
D449,407 S	*	10/2001	Altobellis et al.	.....	D28/7

\* cited by examiner

*Primary Examiner*—Lucy Lieberman

(74) *Attorney, Agent, or Firm*—Kunzler & Associates

(57) **CLAIM**

The ornamental design for a compactable lotion applicator, as shown and described.

**DESCRIPTION**

FIG. 1 is a schematic diagram illustrating a front perspective view of the compactable lotion applicator, in accordance with the present invention;

FIG. 2 is a schematic diagram illustrating a back perspective view of the compactable lotion applicator, in accordance with the present invention;

FIG. 3 is a schematic diagram illustrating a top perspective view of the compactable lotion applicator, in accordance with the present invention;

FIG. 4 is a schematic diagram illustrating a bottom perspective view of the compactable lotion applicator, in accordance with the present invention;

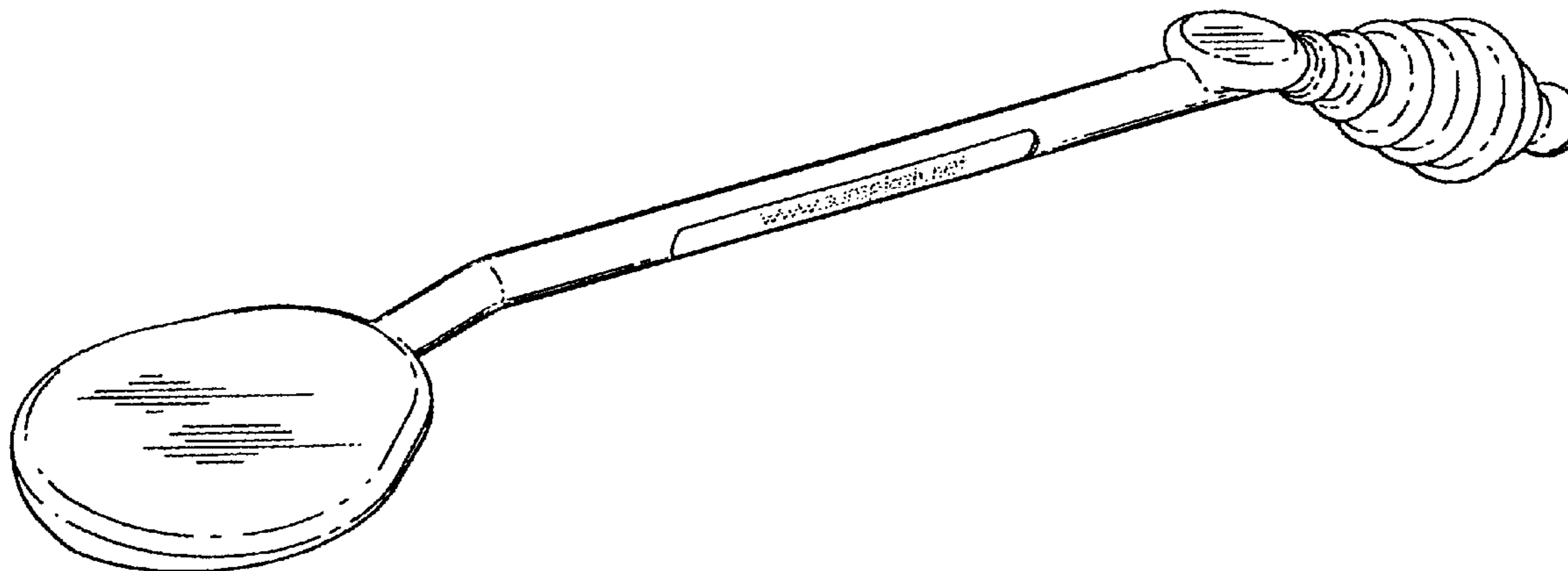
FIG. 5 is a right side view of the compactable lotion applicator, in accordance with the present invention;

FIG. 6 is a left side view of the compactable lotion applicator, in accordance with the present invention; and,

FIG. 7 is a schematic diagram illustrating a perspective view of the compactable lotion applicator, in accordance with the present invention.

The broken lines showing indicia in FIGS. 5 and 7 are for illustrative purposes only and do not form part of the claimed design.

**1 Claim, 4 Drawing Sheets**



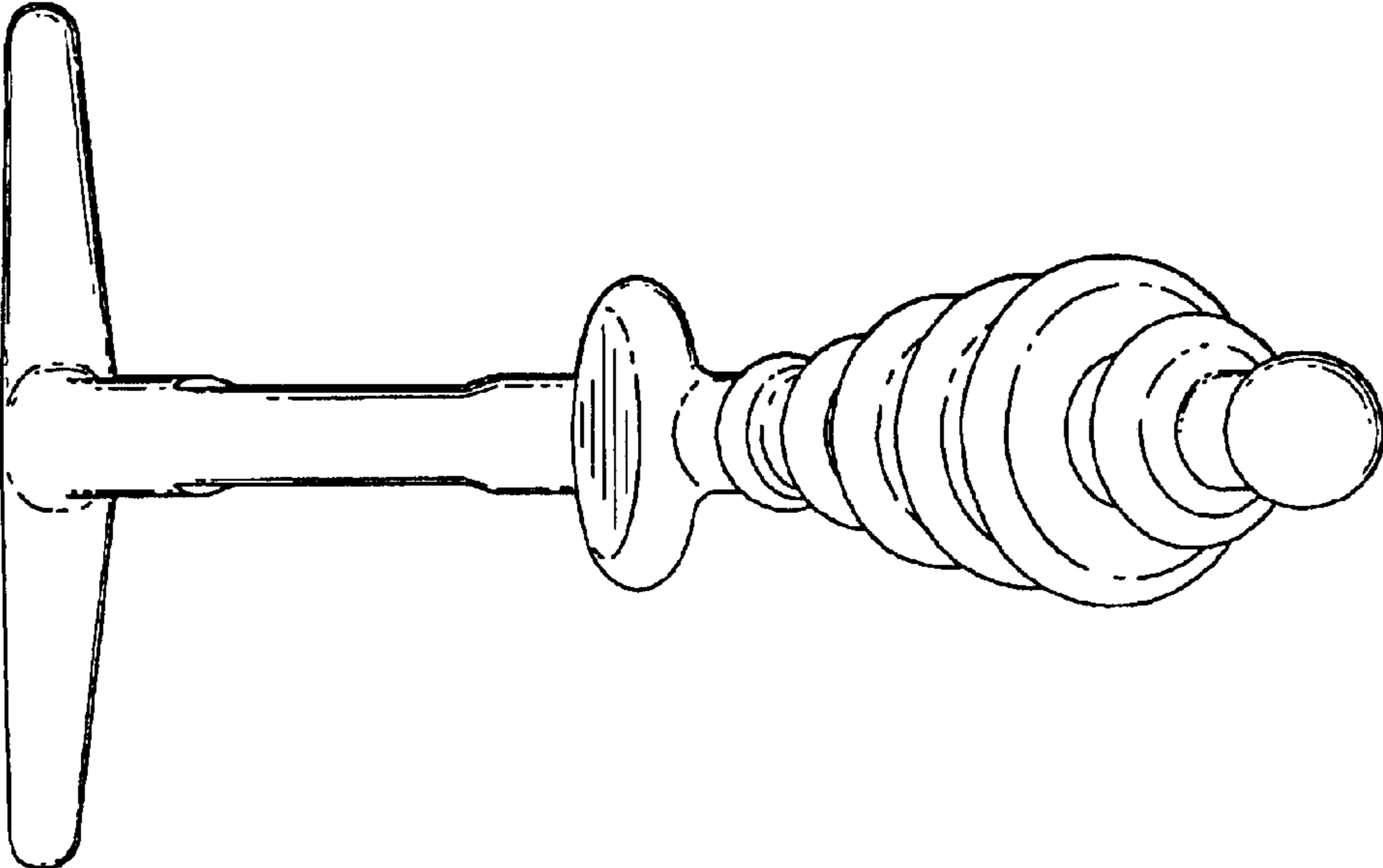


FIG. 2

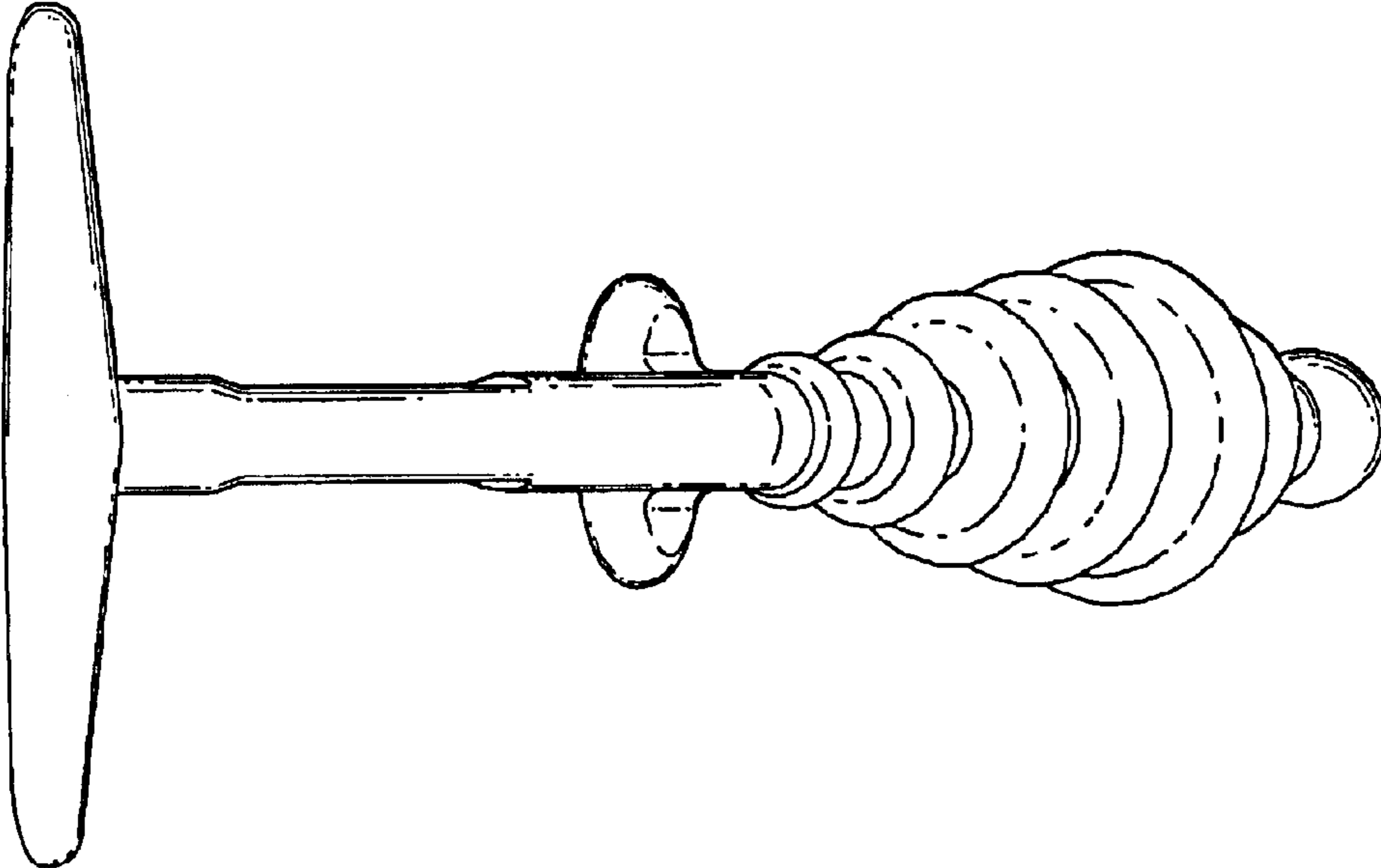


FIG. 1

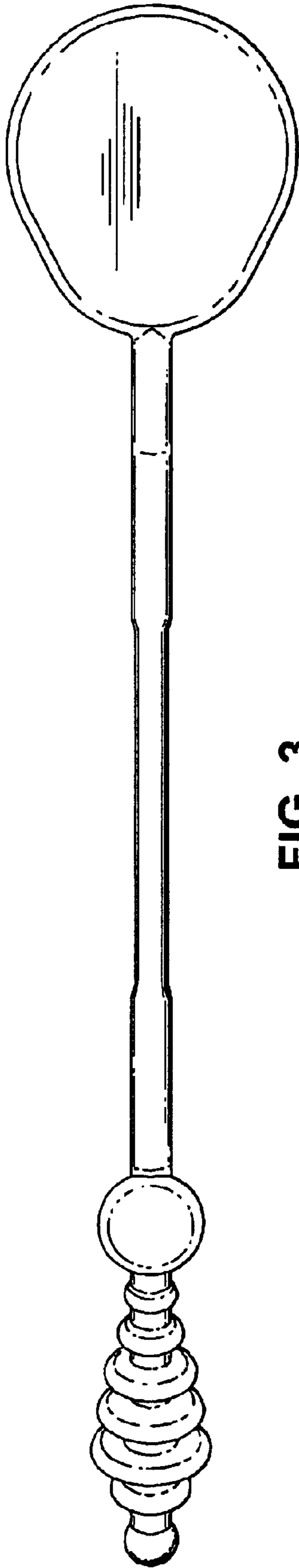


FIG. 3

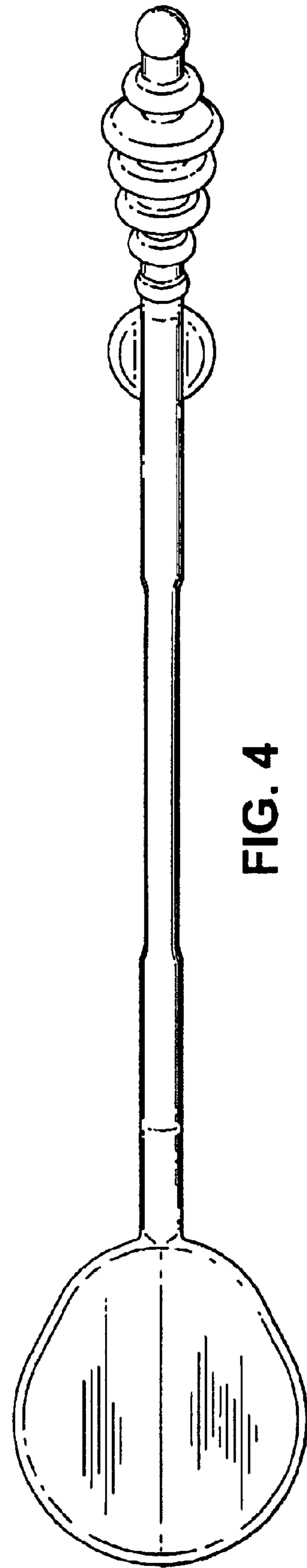


FIG. 4

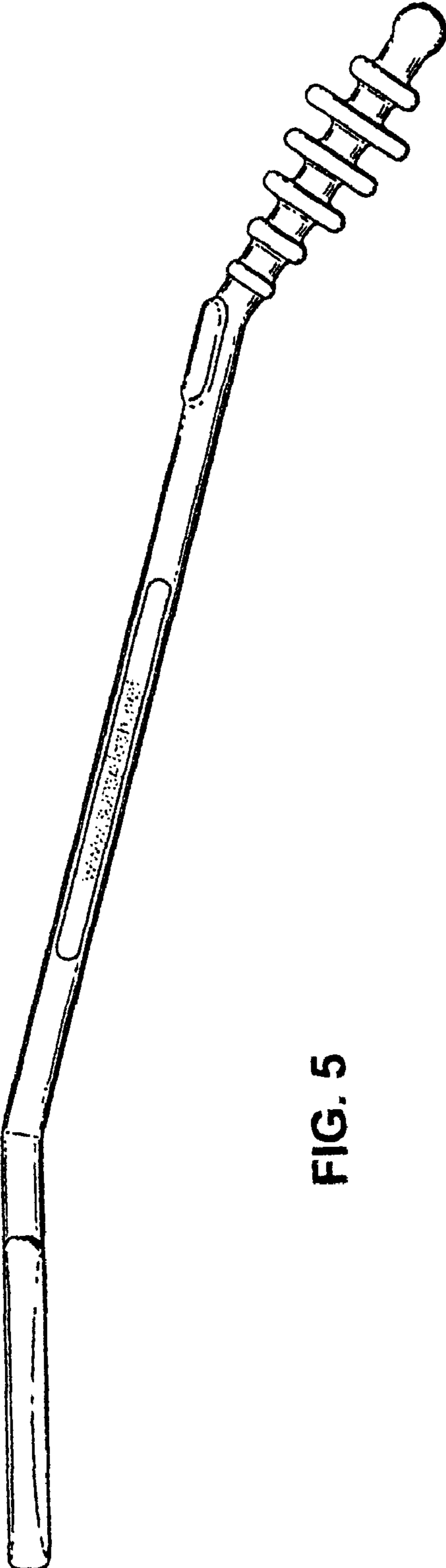


FIG. 5

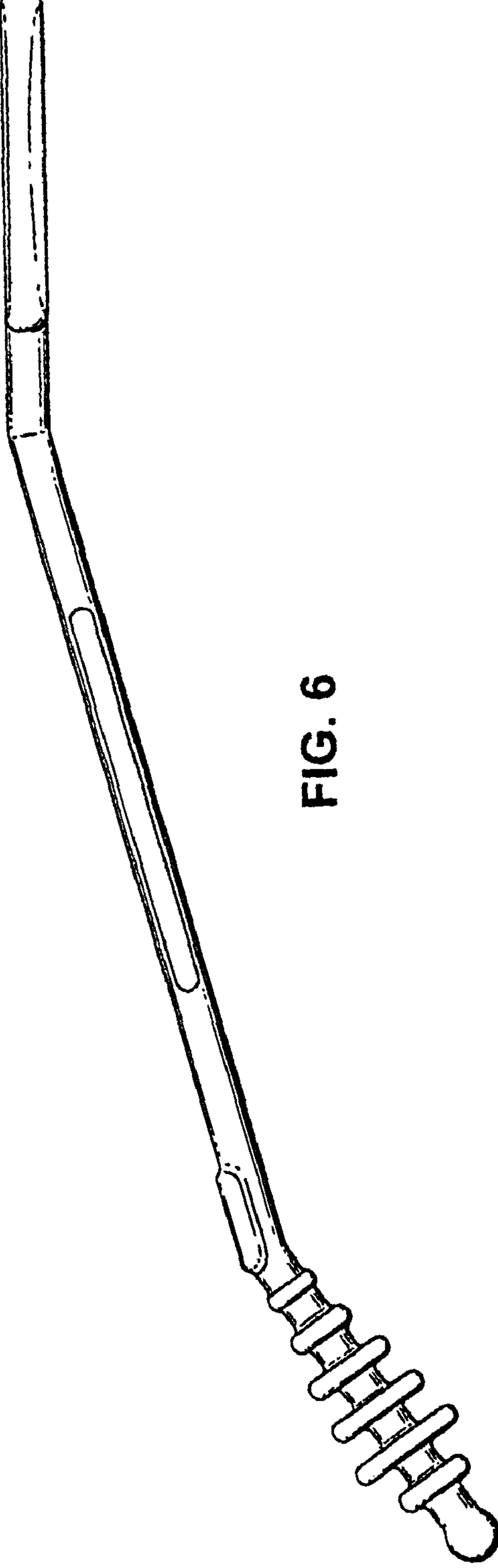


FIG. 6

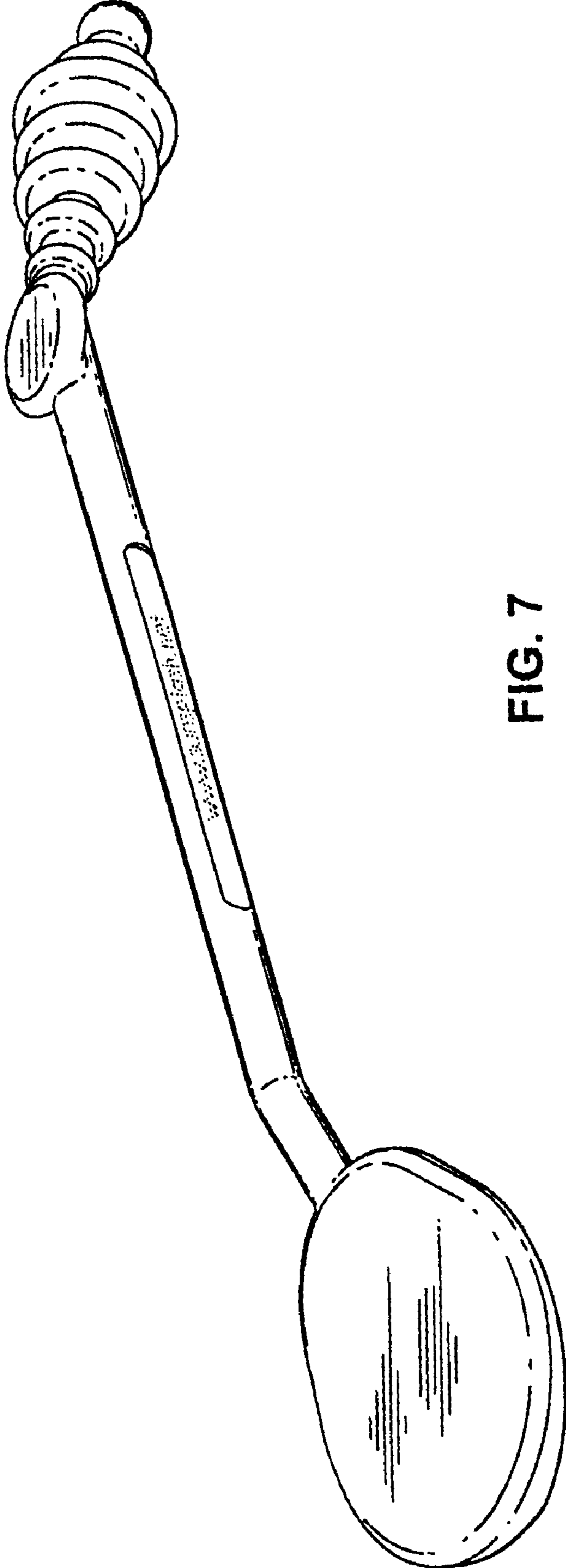


FIG. 7