



US00D497445S1

(12) **United States Design Patent**  
**Chan**

(10) **Patent No.:** **US D497,445 S**  
(45) **Date of Patent:** **\*\* Oct. 19, 2004**

(54) **FLASHLIGHT**

(75) **Inventor:** **Peter Chan, Kowloon (HK)**

(73) **Assignee:** **Lumilite International Ltd. (HK)**

(\*\*) **Term:** **14 Years**

(21) **Appl. No.:** **29/194,008**

(22) **Filed:** **Nov. 18, 2003**

(51) **LOC (7) Cl. .... 26-02**

(52) **U.S. Cl. .... D26/37**

(58) **Field of Search .... D26/37-50; 362/157,**  
**362/158, 171-174, 183-208**

(56) **References Cited**

**U.S. PATENT DOCUMENTS**

- D431,874 S 10/2000 Burns
- D468,464 S \* 1/2003 Galli ..... D26/37
- D475,798 S \* 6/2003 Galli ..... D26/37
- D476,103 S \* 6/2003 Galli ..... D26/37

D481,482 S \* 10/2003 Mah ..... D26/37

\* cited by examiner

*Primary Examiner*—Marcus A. Jackson

(74) *Attorney, Agent, or Firm*—Schwabe, Williamson & Wyatt, P.C.

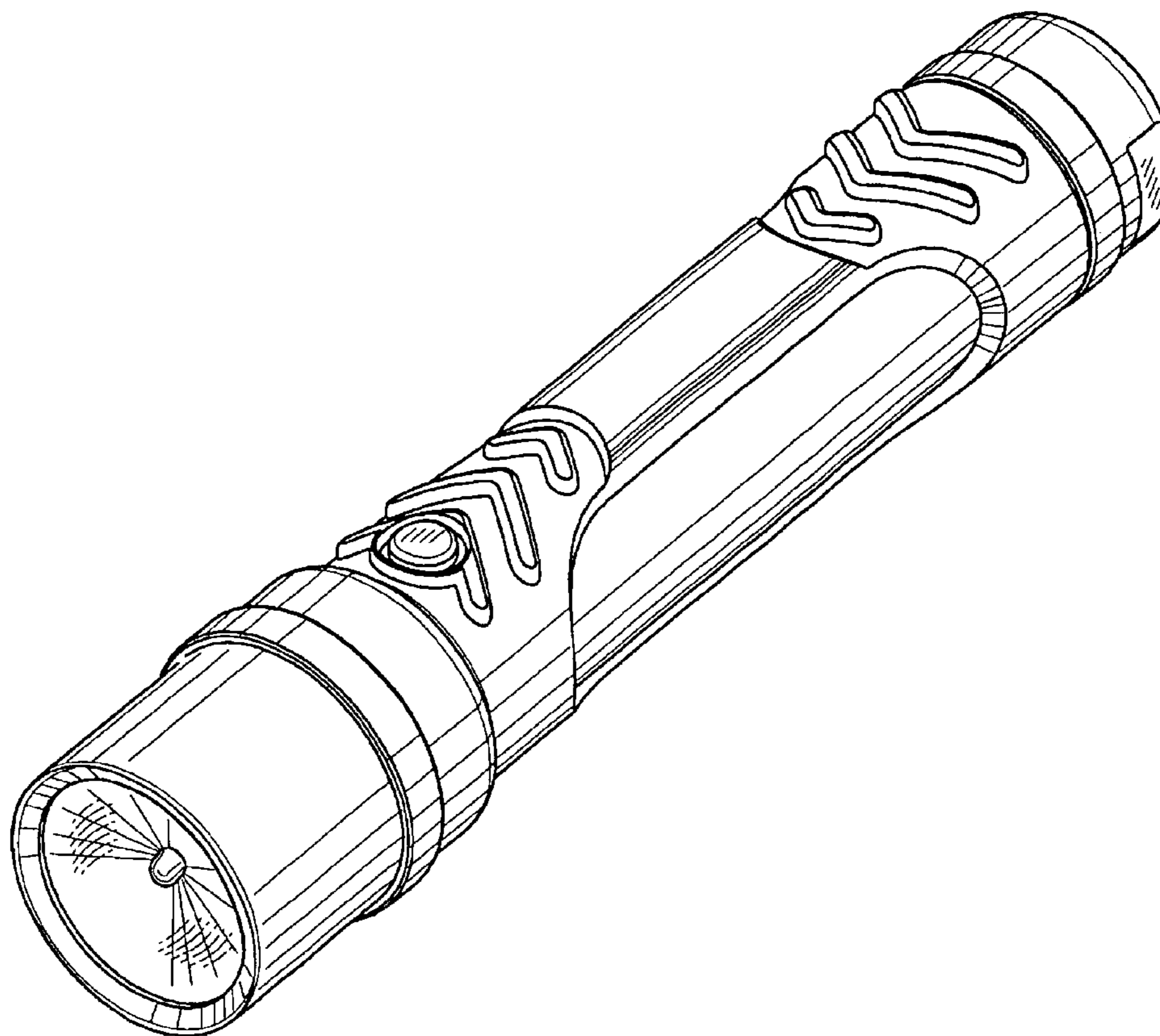
(57) **CLAIM**

The ornamental design of a flashlight, as shown and described.

**DESCRIPTION**

FIG. 1 is a perspective view of a flashlight showing my new design;  
FIG. 2 is a front plan view thereof;  
FIG. 3 is a rear plan view thereof;  
FIG. 4 is a top elevational view thereof;  
FIG. 5 is a side elevational view thereof with the right and left side views being mirror images; and,  
FIG. 6 is a bottom elevational view thereof.

**1 Claim, 2 Drawing Sheets**



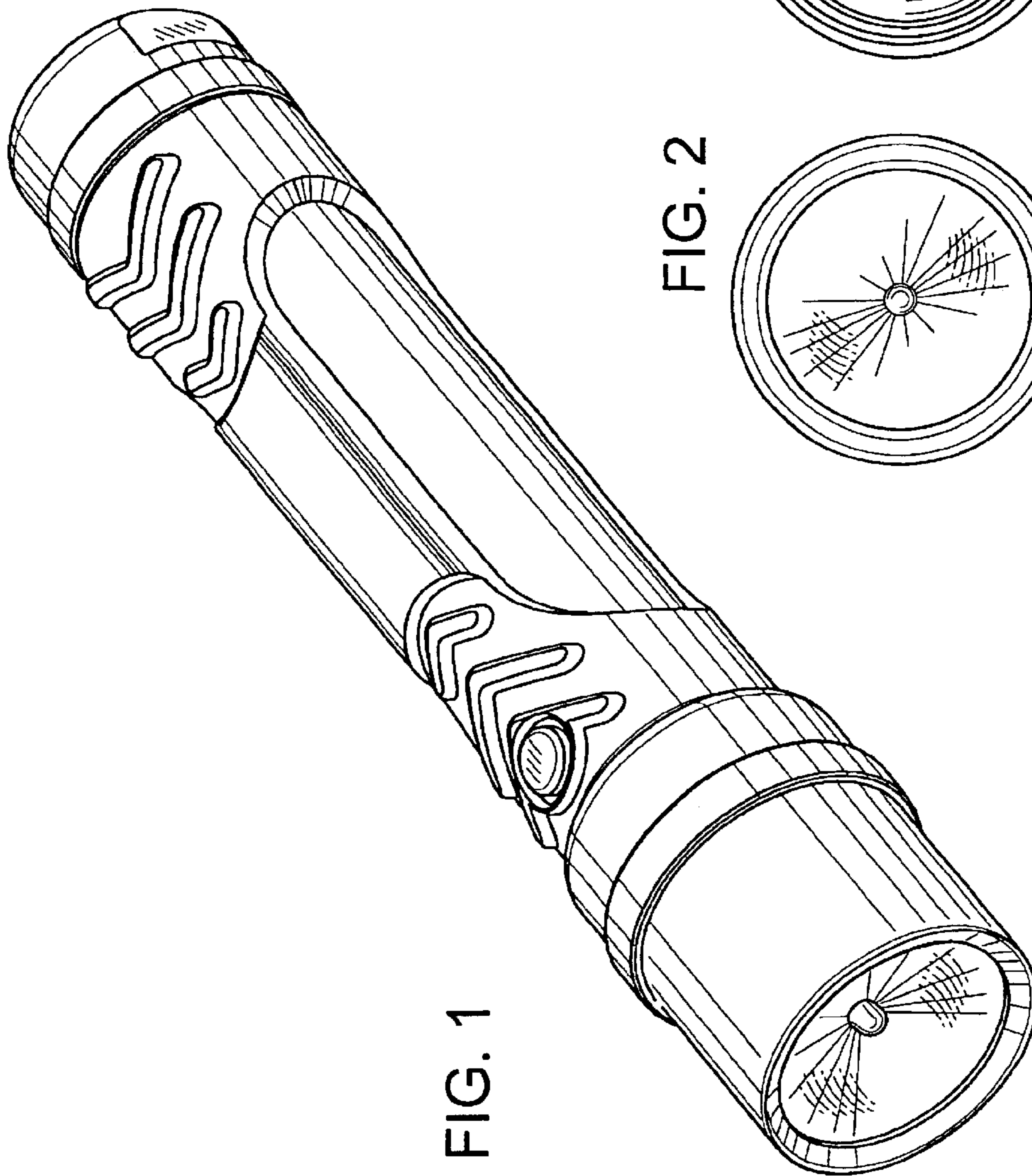


FIG. 1

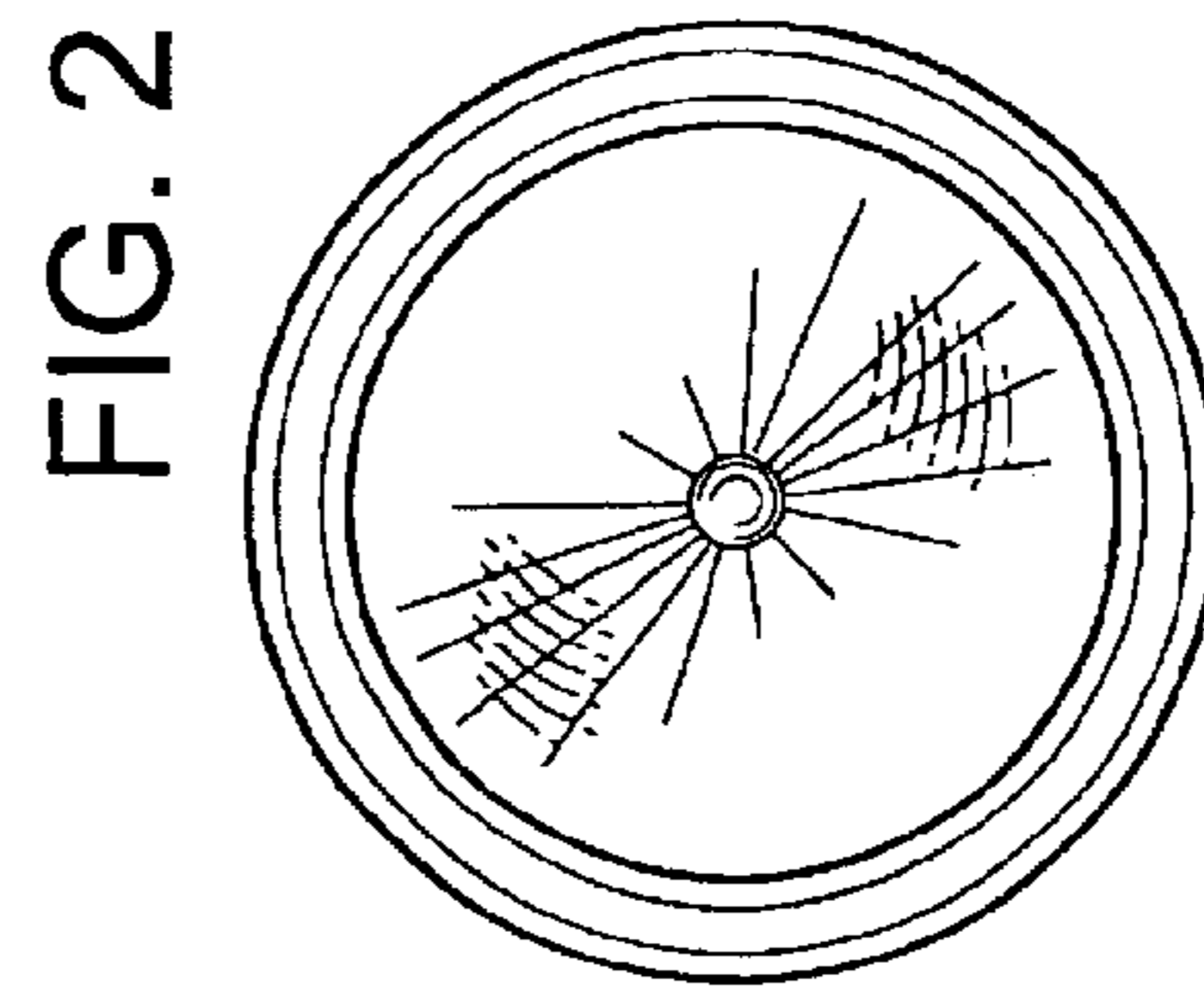


FIG. 2

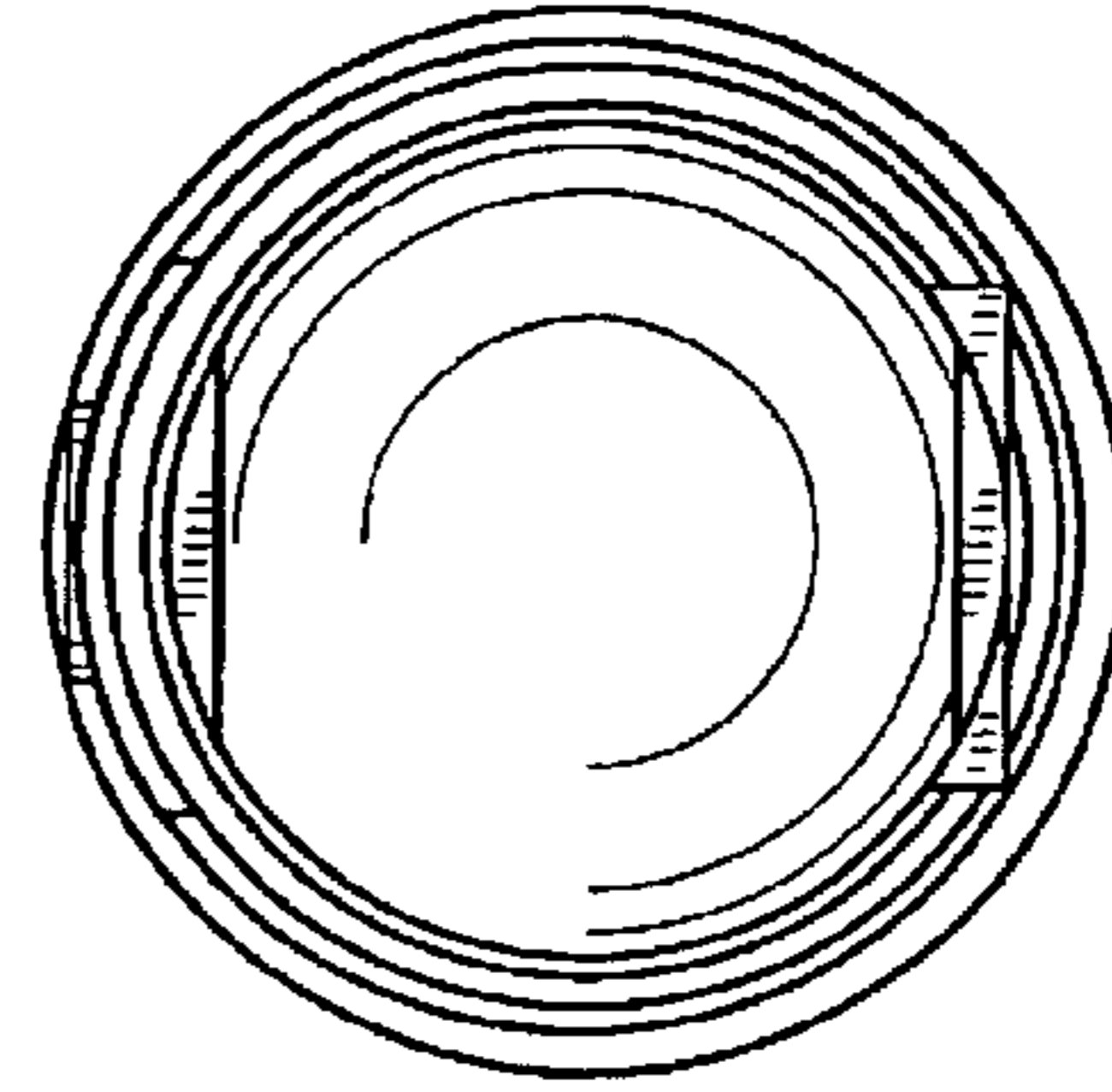


FIG. 3

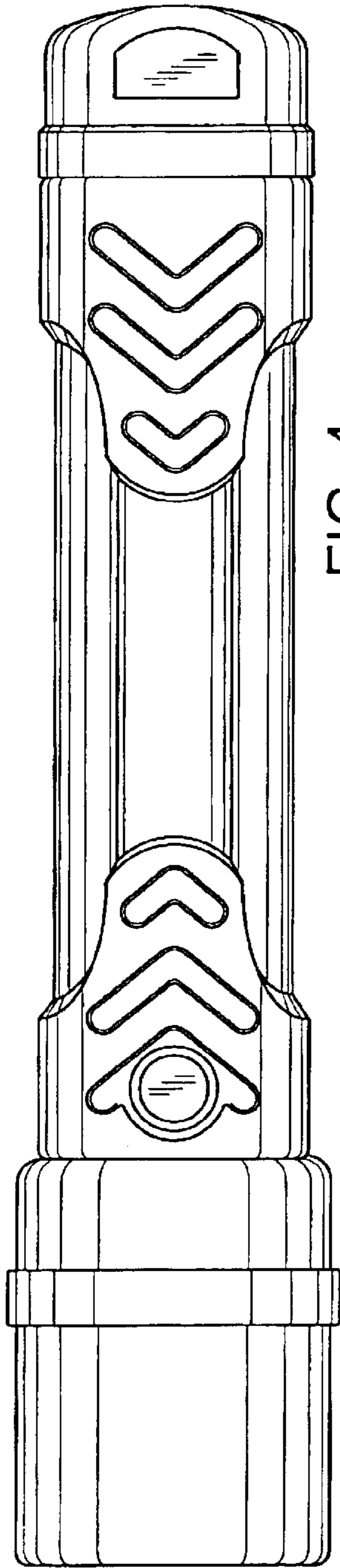


FIG. 4

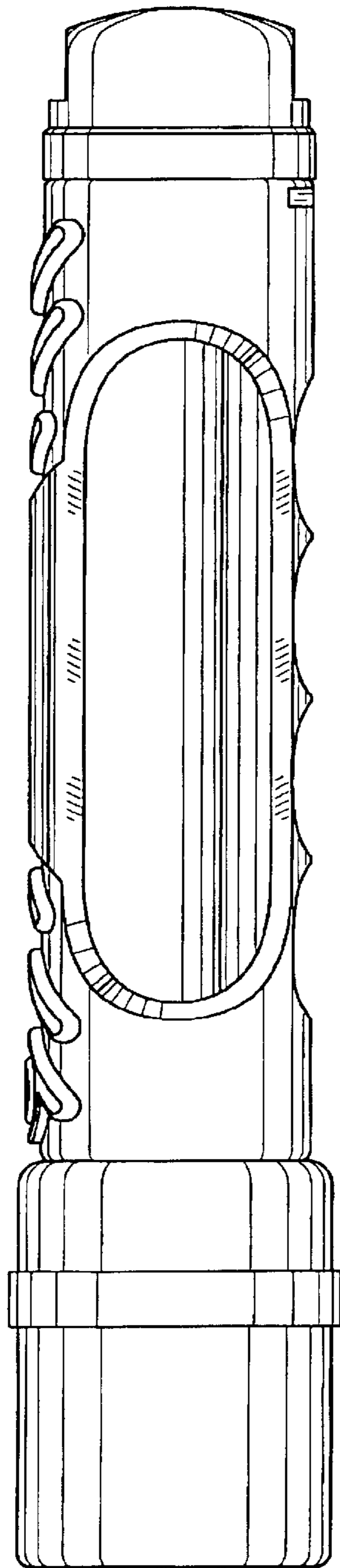


FIG. 5

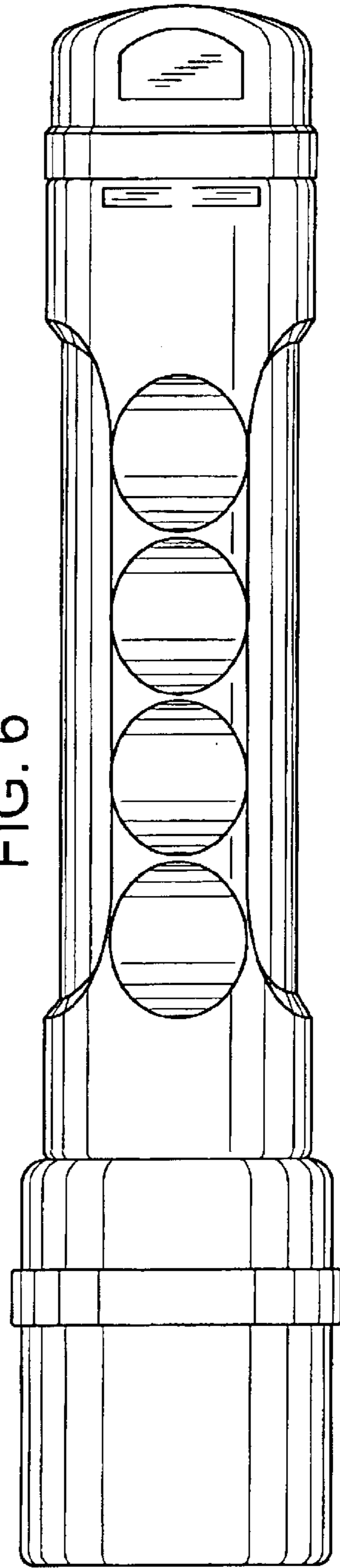


FIG. 6