

US00D497444S1

(12) **United States Design Patent**
Okuda et al.

(10) **Patent No.:** **US D497,444 S**

(45) **Date of Patent:** **** Oct. 19, 2004**

(54) **HEADLAMP FOR A BICYCLE**
(75) Inventors: **Yoji Okuda**, Tondabayashi (JP);
Toshiyuki Nagano, Takarazuka (JP)

D440,675 S * 4/2001 Okuda D26/28
D441,107 S * 4/2001 Okuda D26/28
D441,471 S * 5/2001 Nagano D26/28
D444,581 S * 7/2001 Okuda D26/28

(73) Assignee: **Cateye, Co., Ltd.**, Osaka (JP)

* cited by examiner

(**) Term: **14 Years**

Primary Examiner—Marcus A. Jackson

(74) *Attorney, Agent, or Firm*—Olson & Hierl, Ltd.

(21) Appl. No.: **29/199,691**

(57) **CLAIM**

(22) Filed: **Feb. 18, 2004**

The ornamental design for a headlamp for a bicycle, as shown.

(30) **Foreign Application Priority Data**

Aug. 25, 2003 (JP) 2003-024436

DESCRIPTION

(51) **LOC (7) Cl.** **26-06**

FIG. 1 is a front view of a headlamp for a bicycle showing our new design;

(52) **U.S. Cl.** **D26/28**

FIG. 2 is a rear view thereof;

(58) **Field of Search** D26/37-50; 362/61,

FIG. 3 is a right side view thereof;

362/74, 80, 81, 82, 83, 83.3, 157, 158,
183-208

FIG. 4 is a left side view thereof;

FIG. 5 is a top plan view thereof;

FIG. 6 is a bottom plan view thereof;

(56) **References Cited**

FIG. 7 is a front perspective view thereof; and,

FIG. 8 is a rear perspective view thereof.

U.S. PATENT DOCUMENTS

D411,320 S * 6/1999 Sillanpaa D26/28

1 Claim, 3 Drawing Sheets

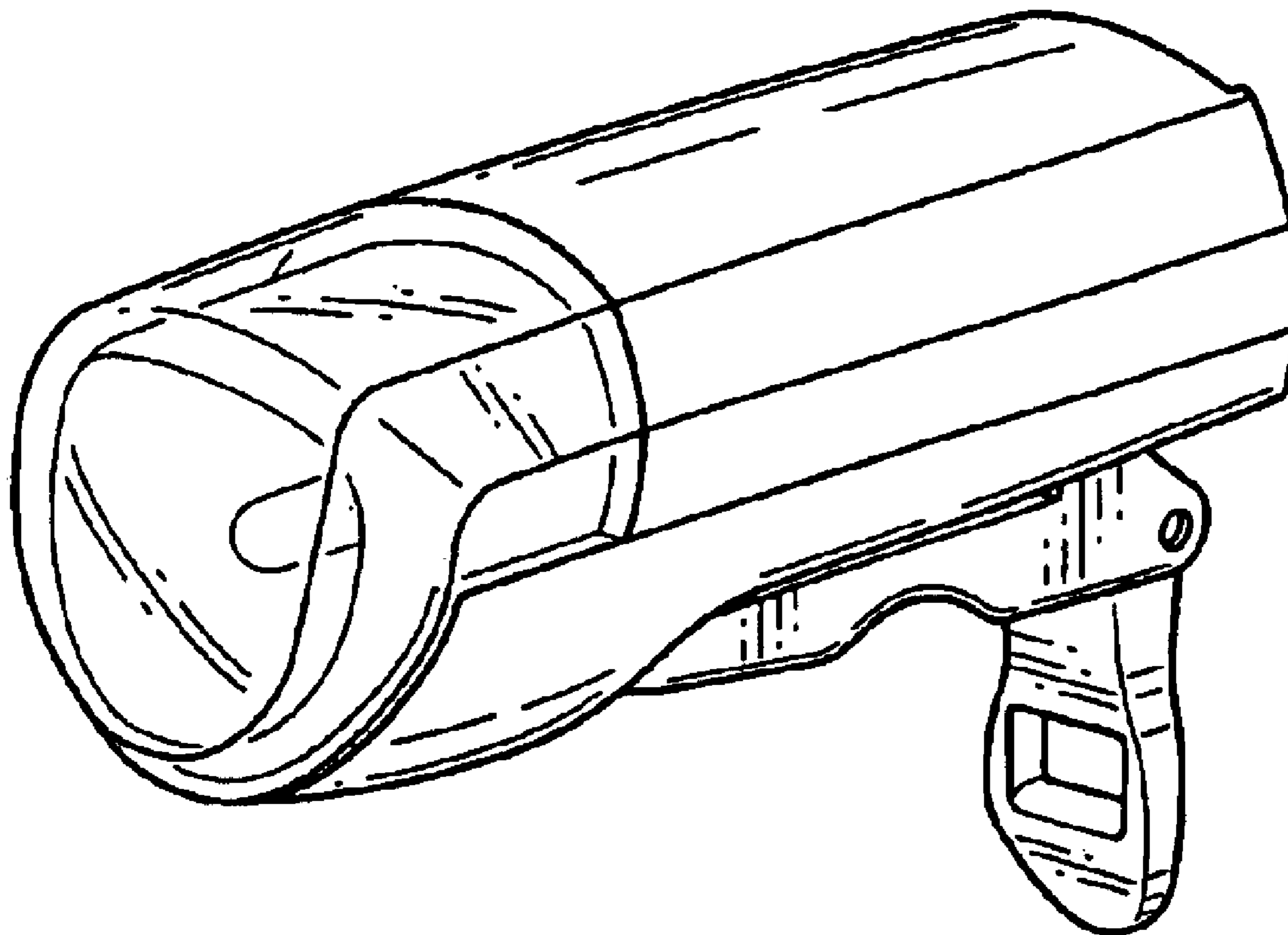


FIG. 1

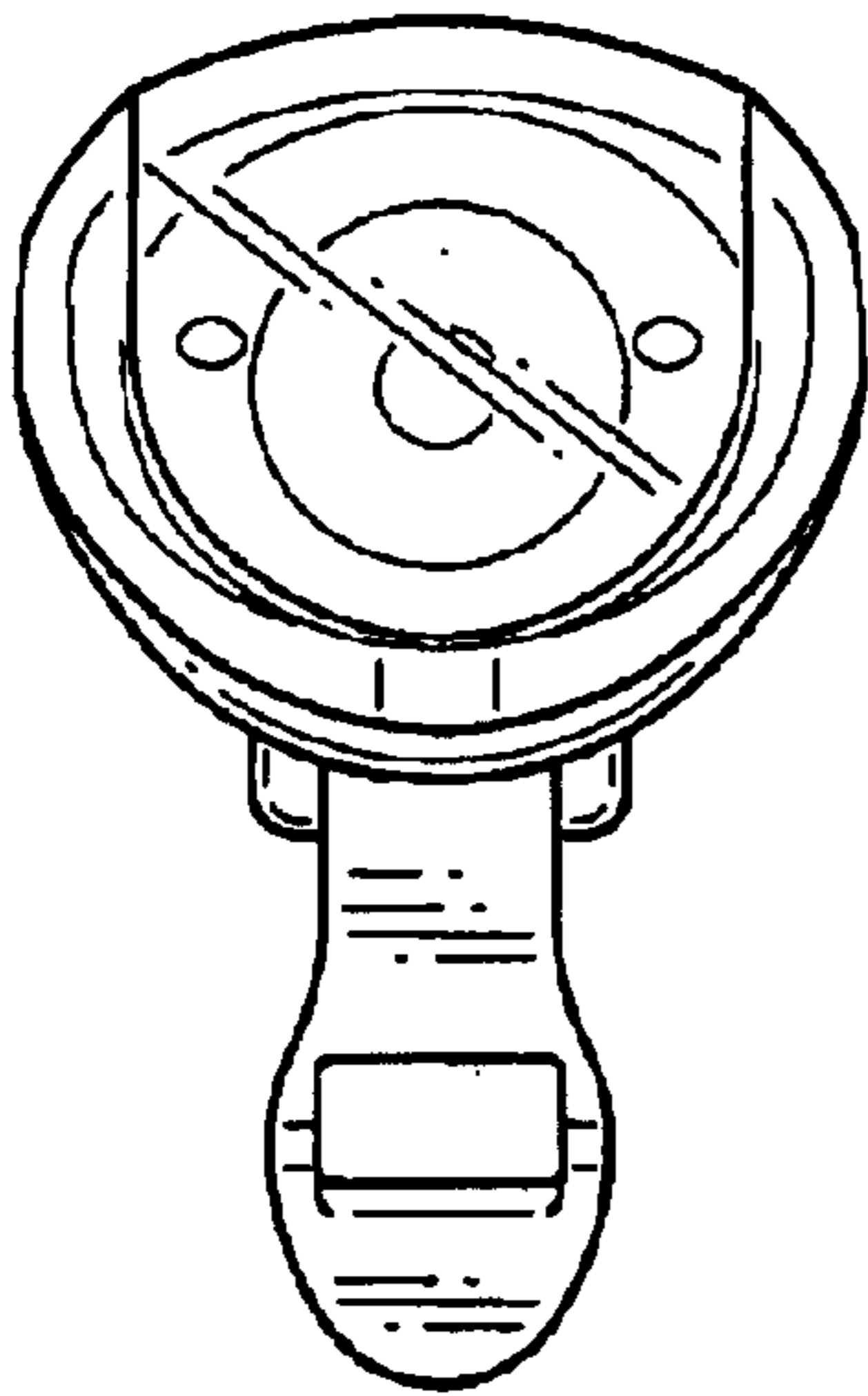


FIG. 2

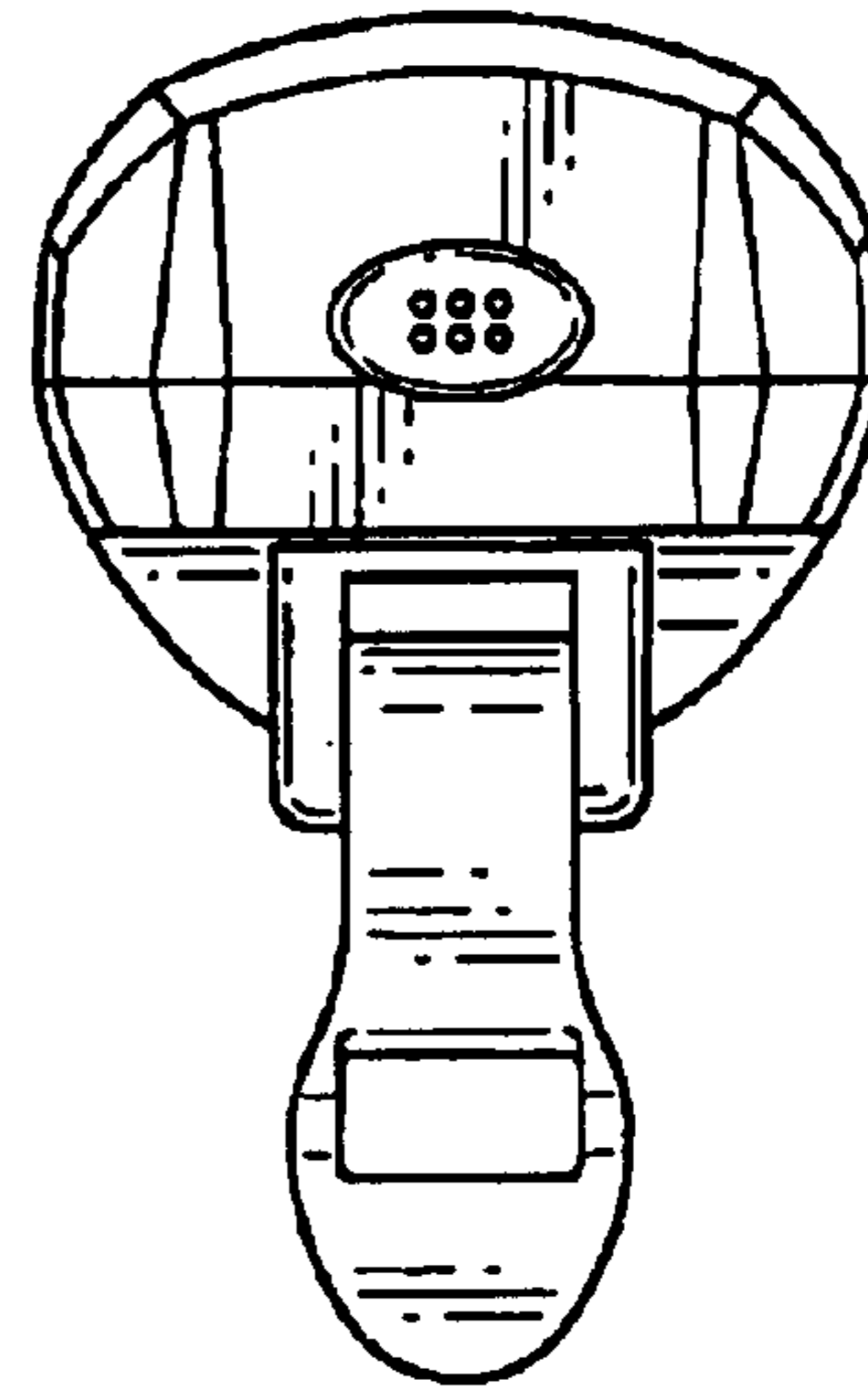


FIG. 3

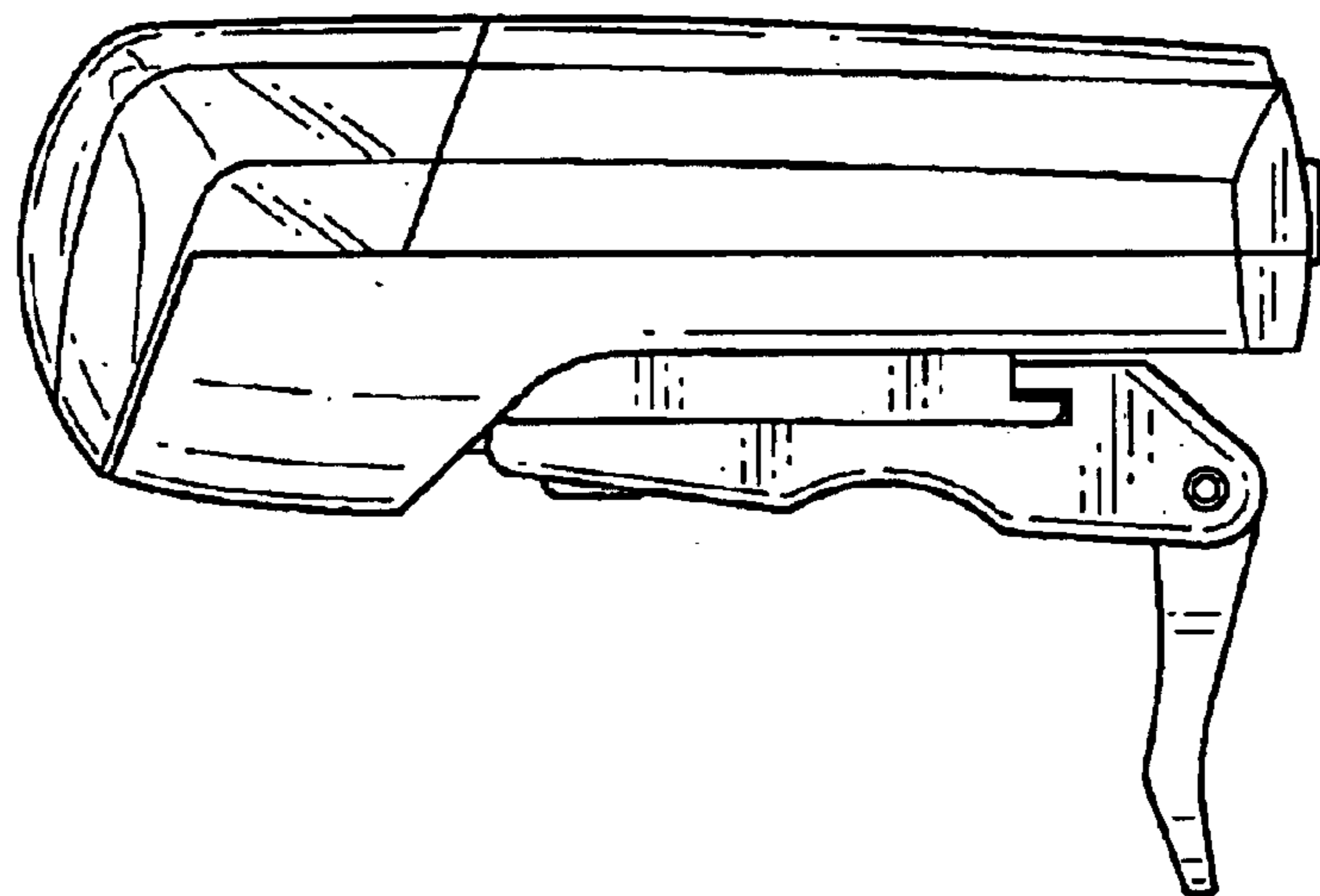


FIG. 4

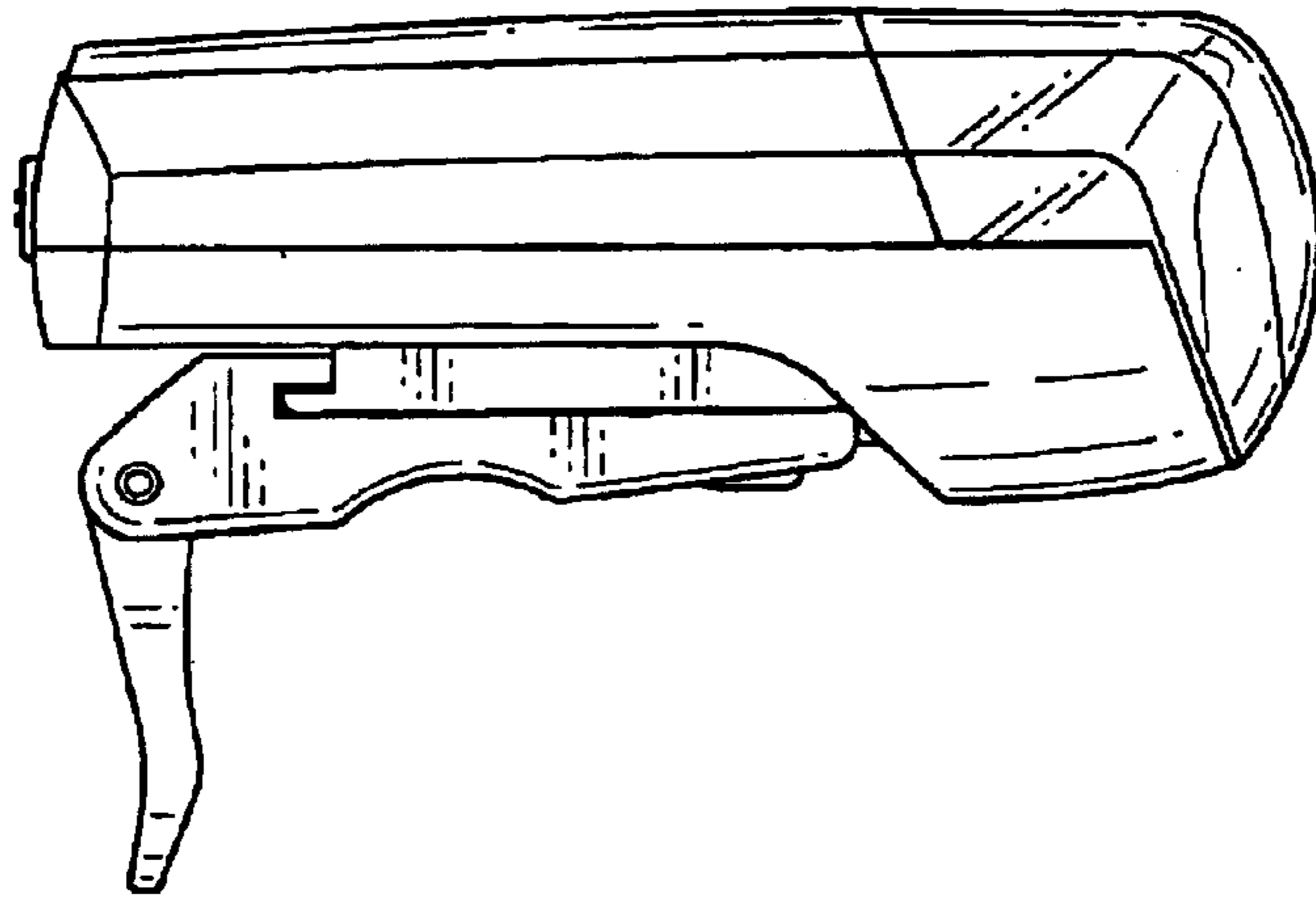


FIG. 5

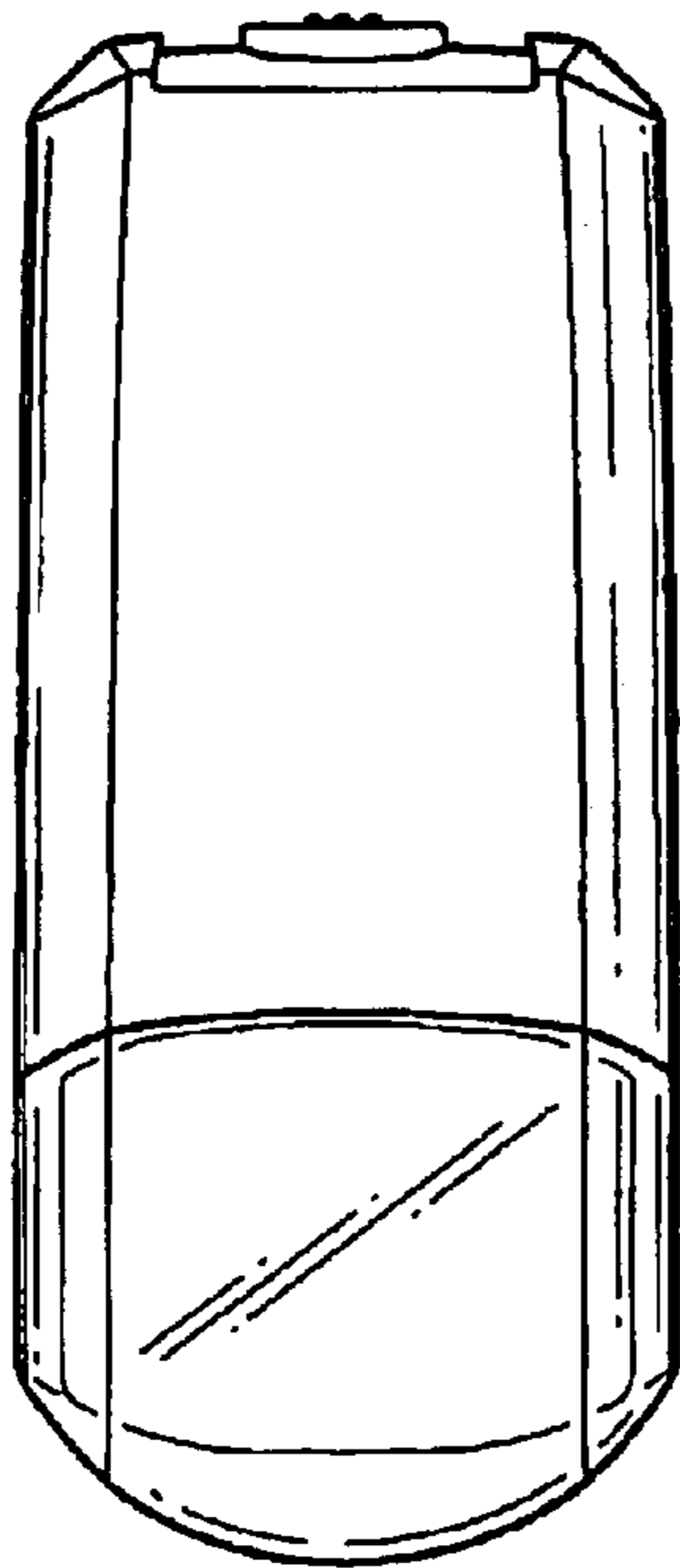


FIG. 6

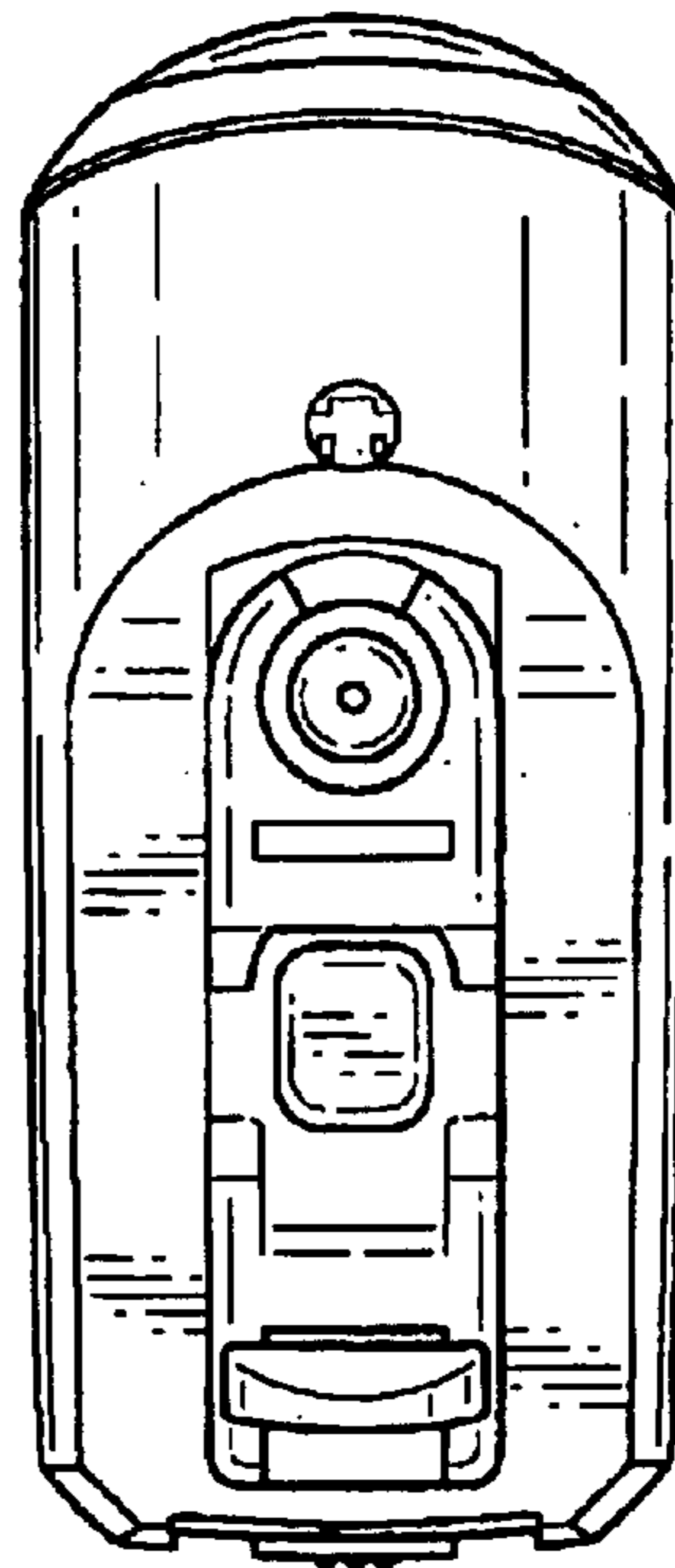


FIG. 7

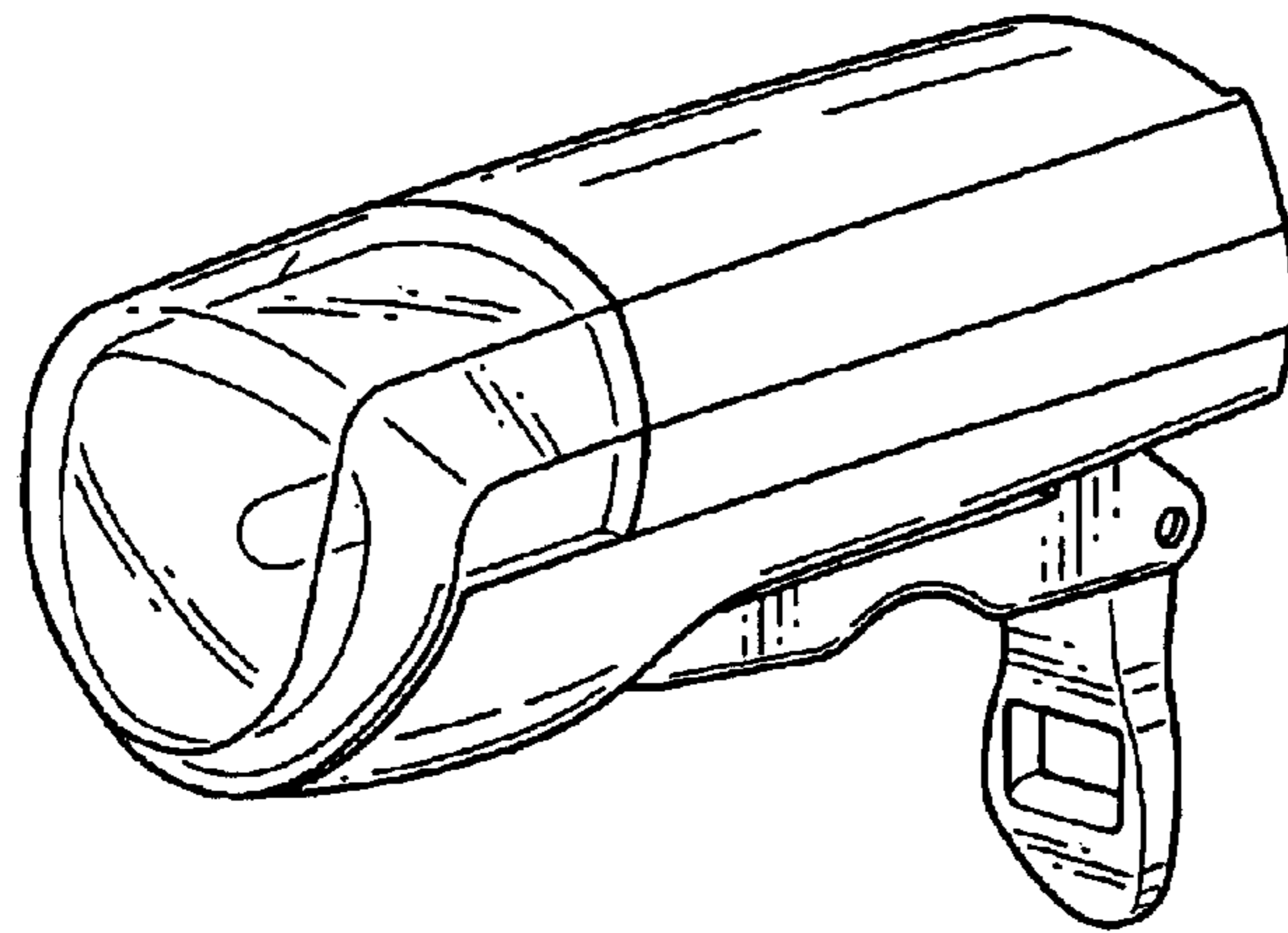


FIG. 8

