

US00D497440S1

(12) **United States Design Patent**  
**Foo**

(10) **Patent No.:** **US D497,440 S**  
(45) **Date of Patent:** **\*\* Oct. 19, 2004**

(54) **3SL-TUBE**

(75) **Inventor:** **Onn Fah Foo, Kowloon (HK)**

(73) **Assignee:** **Mass Technology (H.K.) Limited, Kowloon (HK)**

(\*\*) **Term:** **14 Years**

(21) **Appl. No.:** **29/200,068**

(22) **Filed:** **Feb. 24, 2004**

(30) **Foreign Application Priority Data**

Oct. 9, 2003 (CN) ..... 2003301003071

(51) **LOC (7) Cl.** ..... **26-04**

(52) **U.S. Cl.** ..... **D26/3**

(58) **Field of Search** ..... D26/1-4; 313/313, 313/315, 317, 318, 493, 497, 567, 569; 315/56, 57, 58, 73

(56) **References Cited**

**U.S. PATENT DOCUMENTS**

D463,045 S \* 9/2002 Foo ..... D26/3

D463,585 S \* 9/2002 Foo ..... D26/3  
D473,329 S \* 4/2003 Foo ..... D26/3  
D480,161 S \* 9/2003 Foo ..... D26/3  
D490,168 S \* 5/2004 Foo ..... D26/3

\* cited by examiner

*Primary Examiner*—Marcus A. Jackson  
(74) *Attorney, Agent, or Firm*—Rabin & Berdo, P.C.

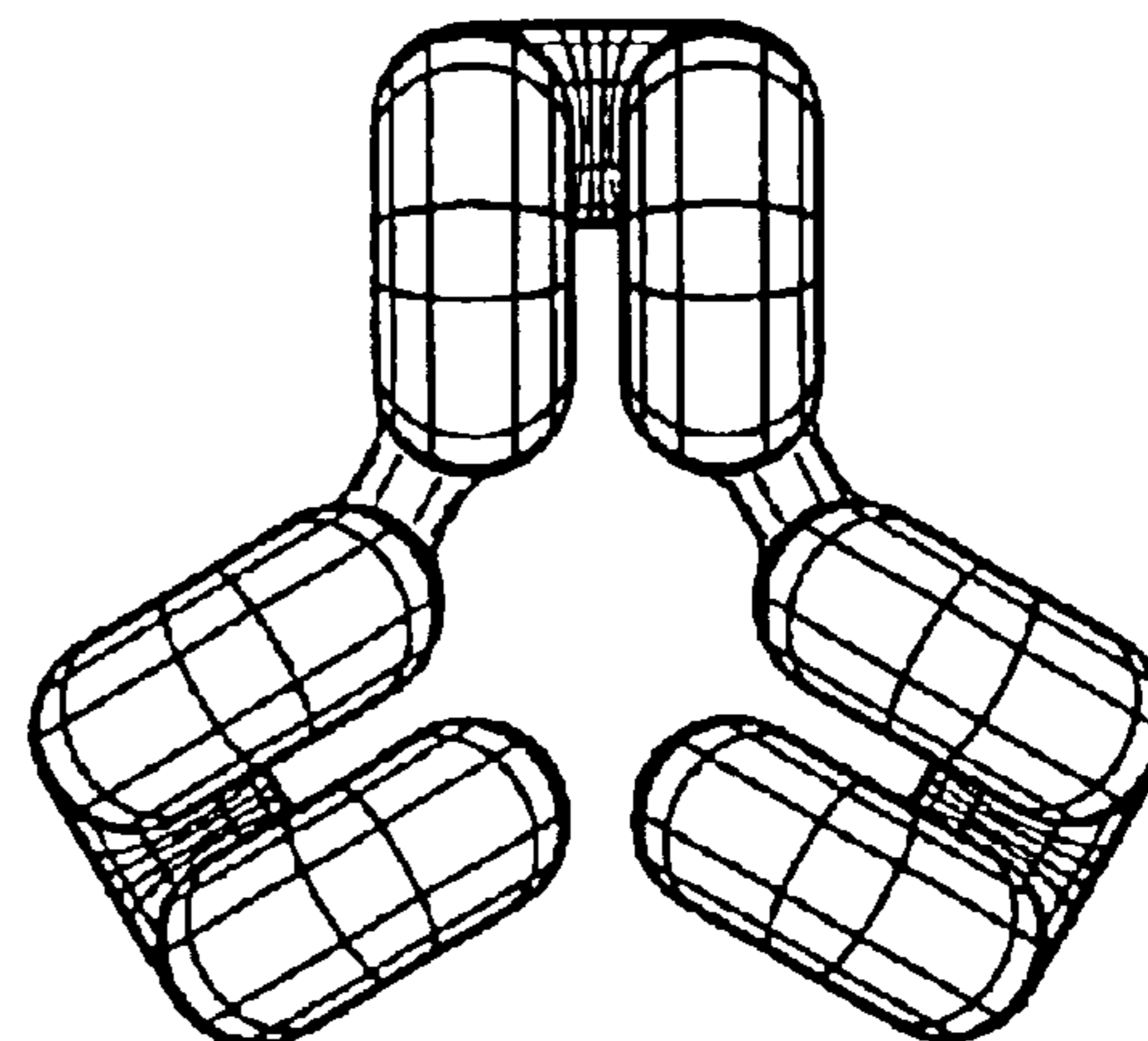
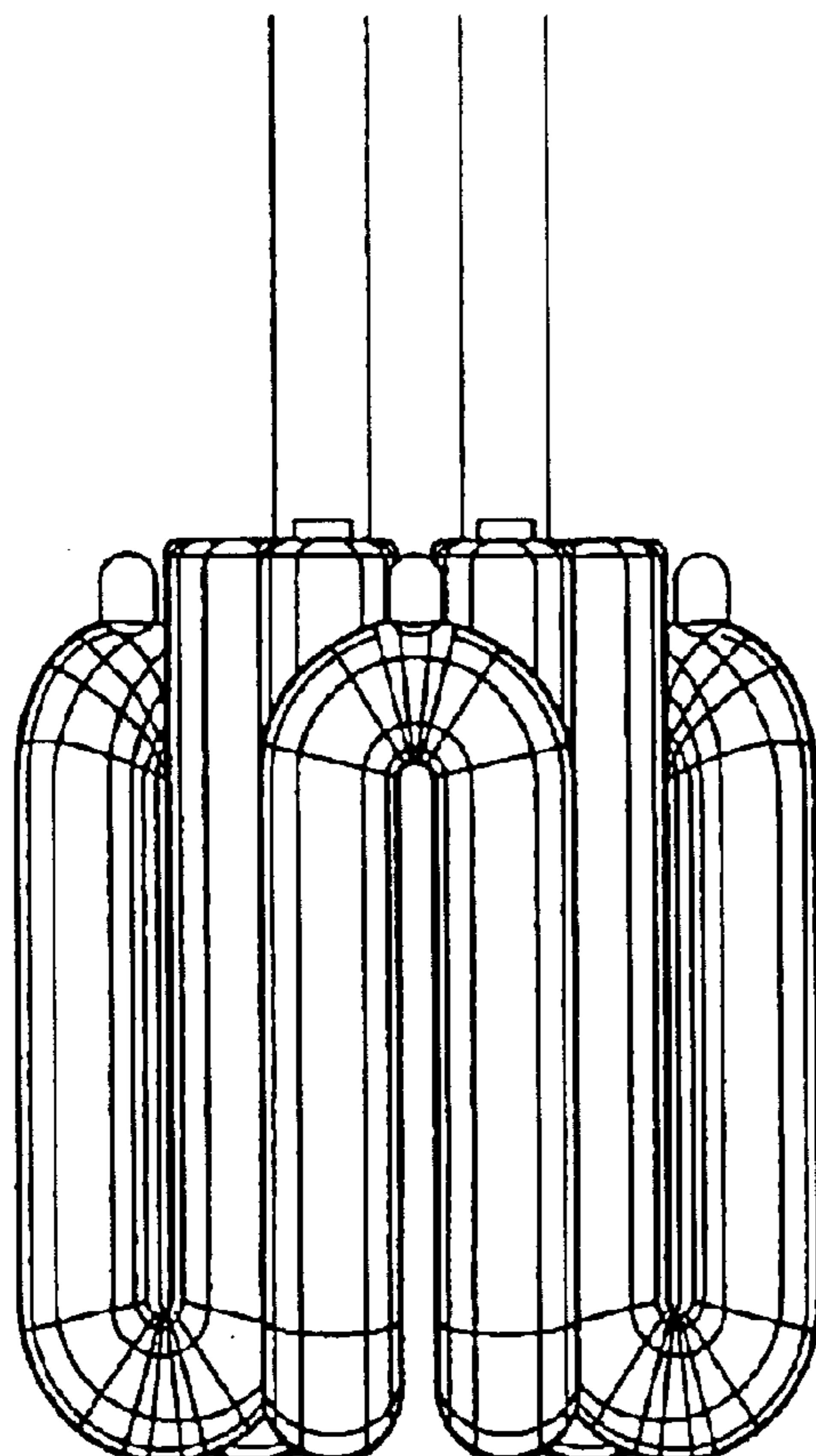
(57) **CLAIM**

The ornamental design for a 3SL-tube, as shown and described.

**DESCRIPTION**

FIG. 1 is a front view of a 3SL-tube showing my new design; FIG. 2 is a rear view thereof; FIG. 3 is a left side view thereof; FIG. 4 is a right side view thereof; FIG. 5 is a top view thereof; and, FIG. 6 is a bottom view thereof.

**1 Claim, 3 Drawing Sheets**



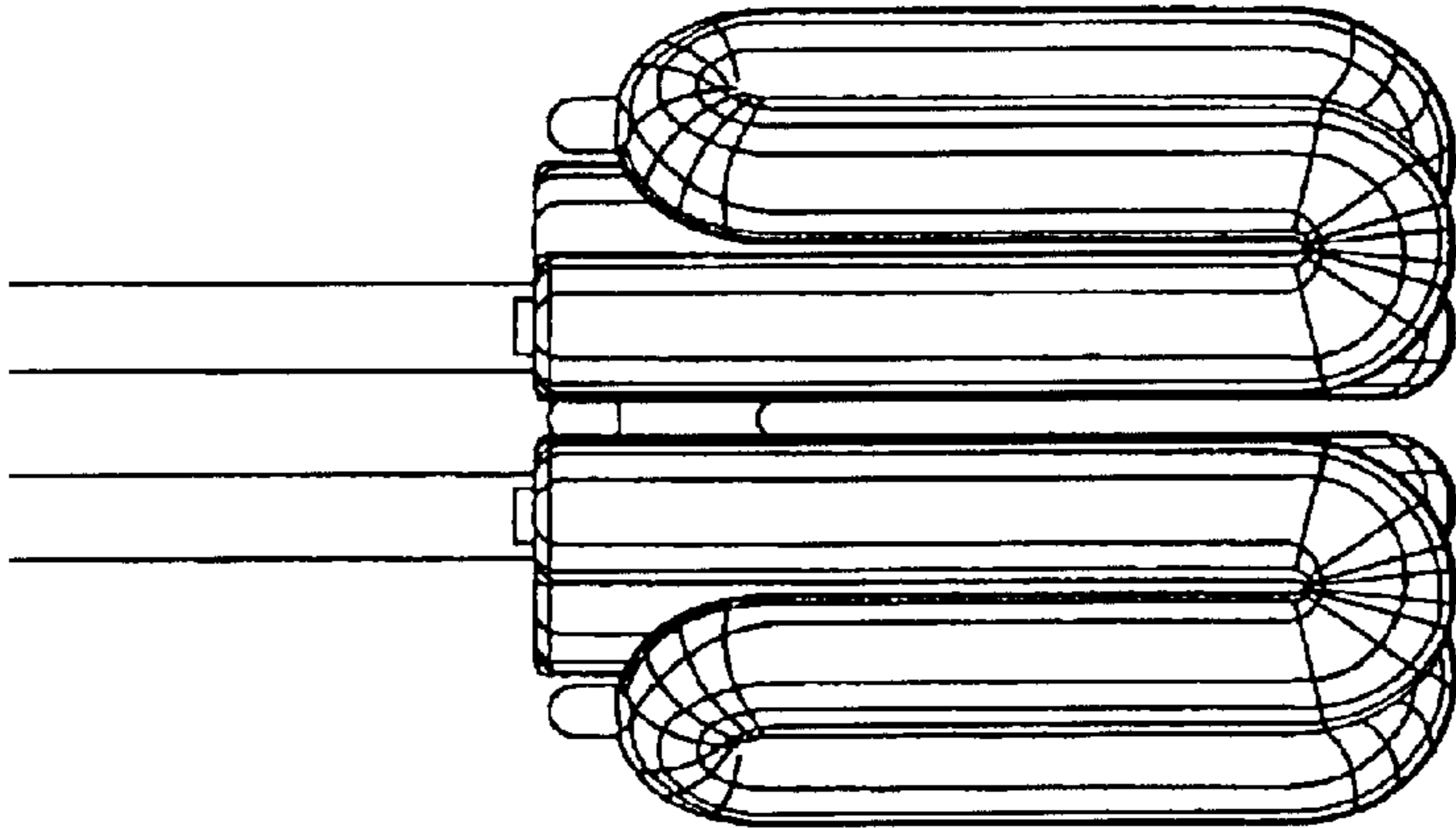


Fig. 2

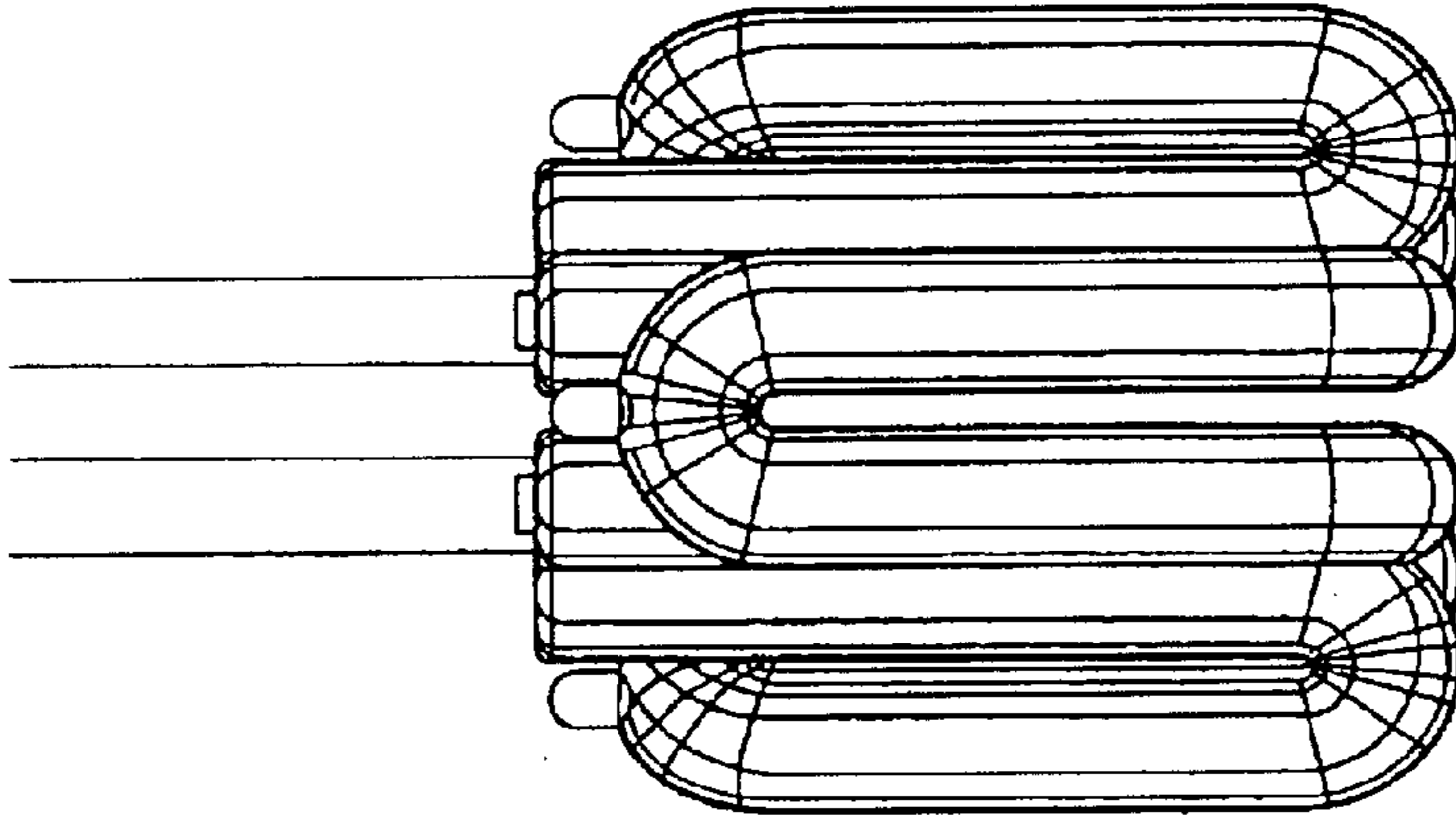


Fig. 7

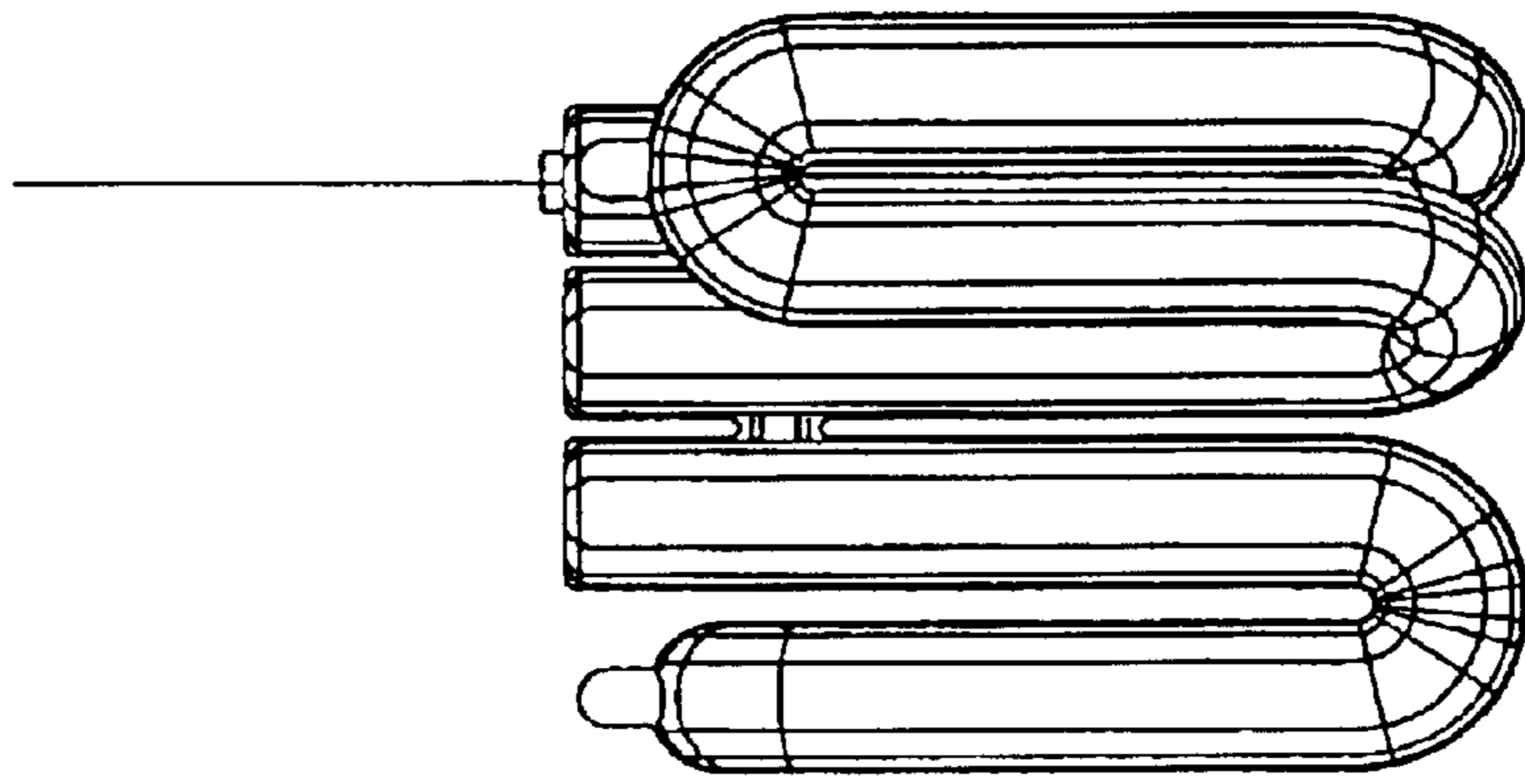


Fig. 4

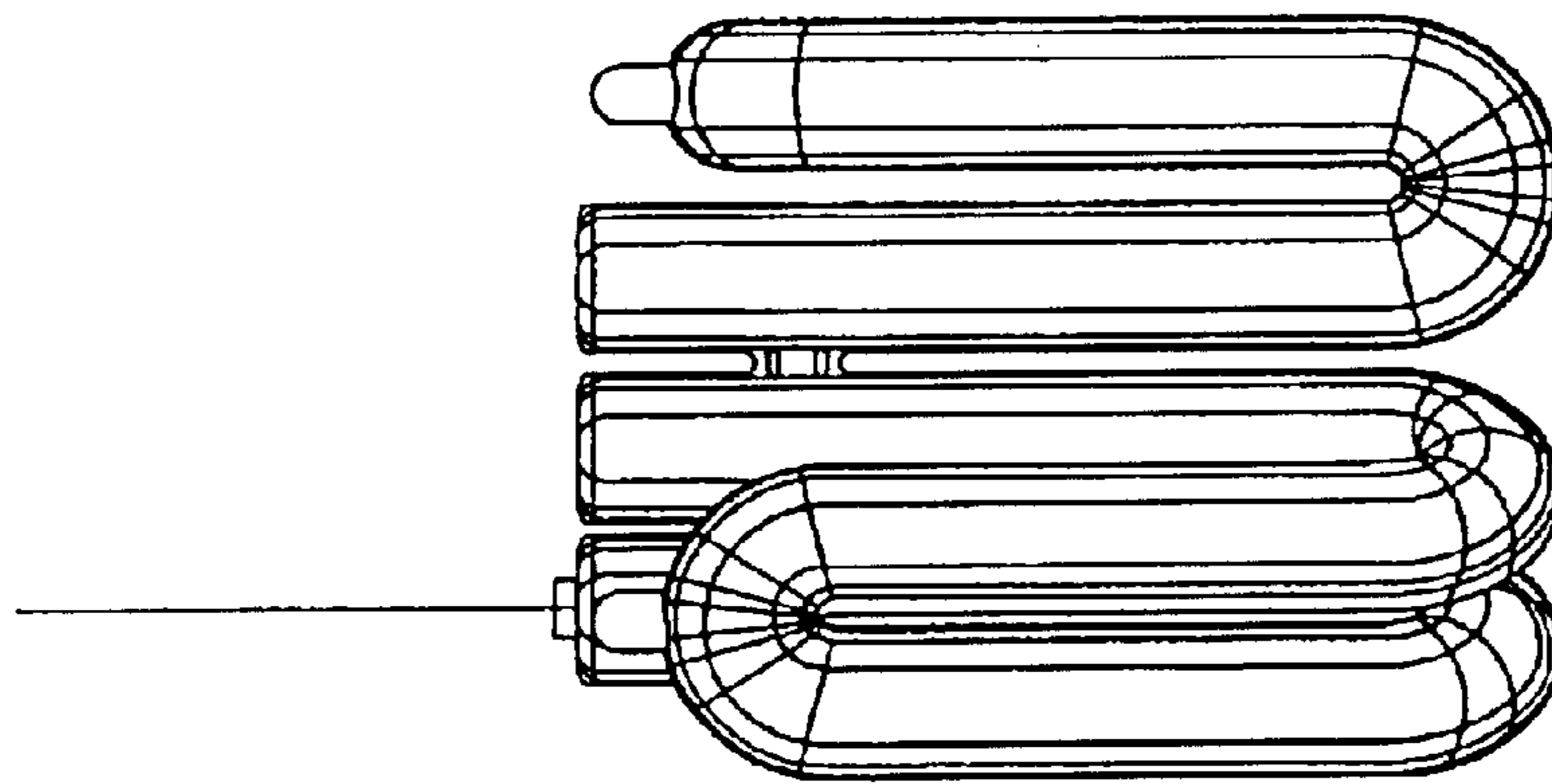


Fig. 3

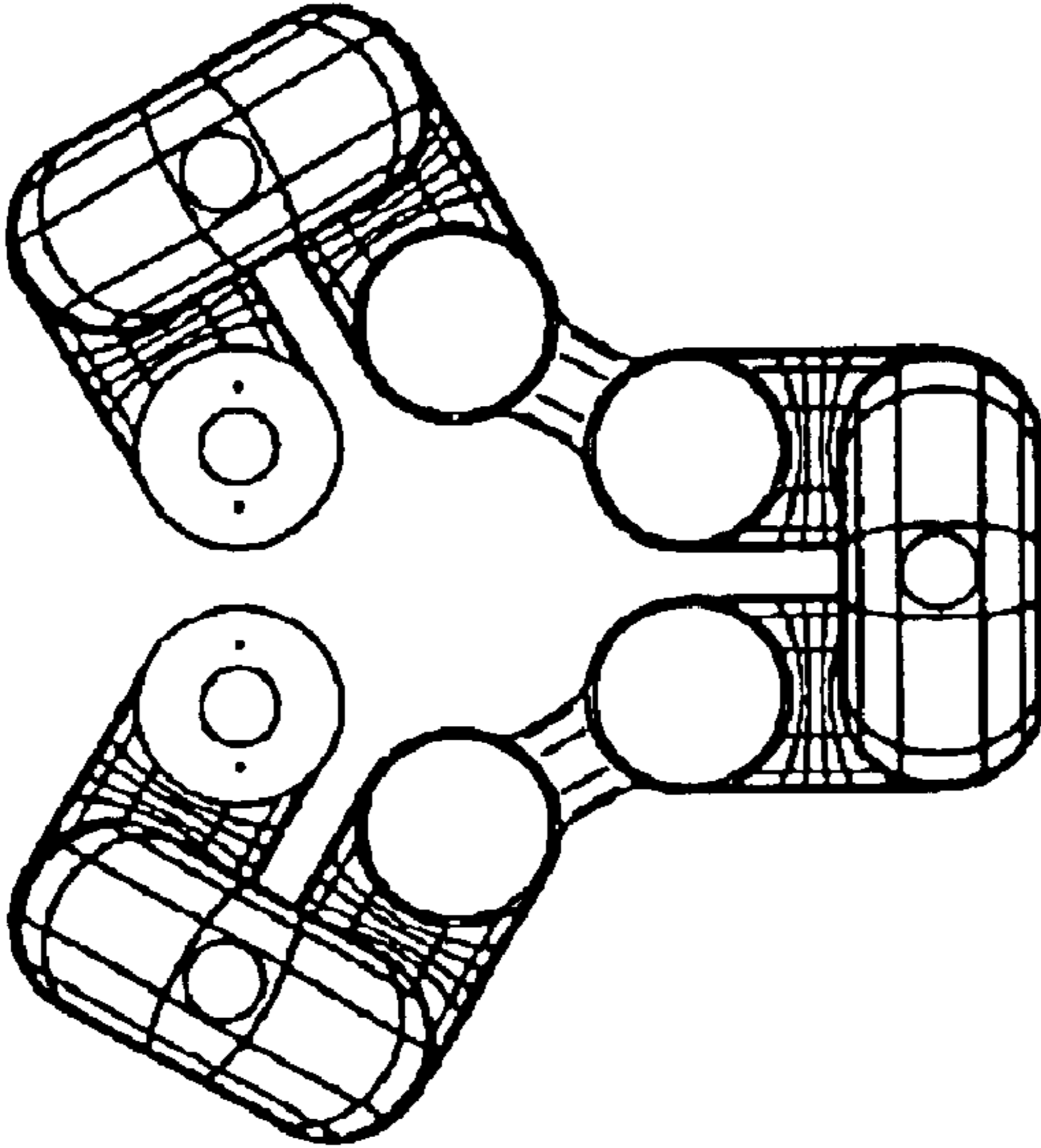
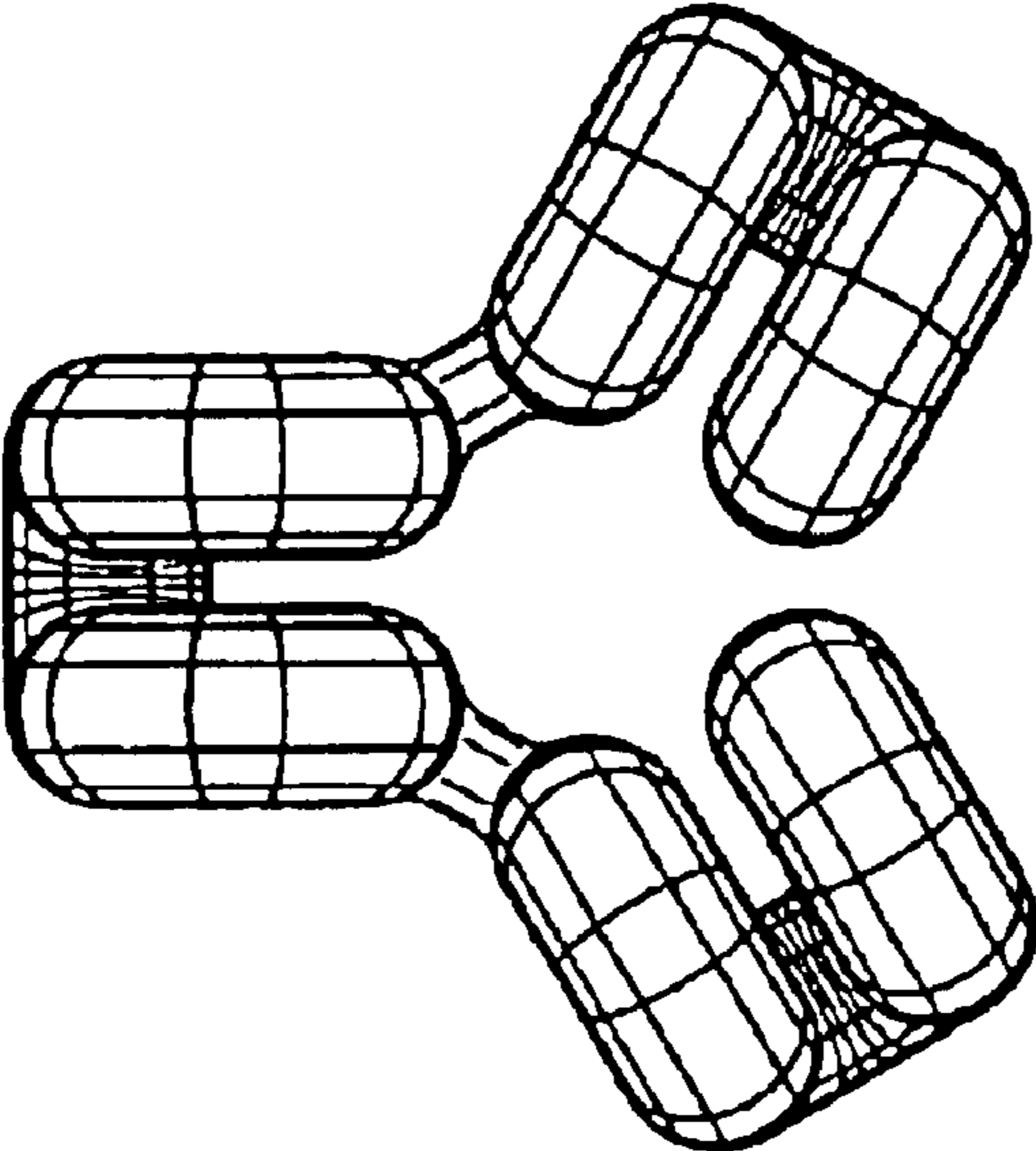


Fig. 6

Fig. 5