

US00D497439S1

(12) **United States Design Patent**  
**Shaw et al.**

(10) **Patent No.:** **US D497,439 S**

(45) **Date of Patent:** **\*\* Oct. 19, 2004**

(54) **LAMP WITH HIGH POWER LED**

D390,672 S \* 2/1998 Seid ..... D26/2  
D395,092 S \* 6/1998 Vakil ..... D26/2

(75) Inventors: **Ching-Chi Shaw**, Taipei (TW);  
**Ya-Kuang Hsiao**, Chia-I (TW)

\* cited by examiner

(73) Assignee: **Elumina Technology Incorporation**,  
Taipei (TW)

*Primary Examiner*—Marcus A. Jackson  
(74) *Attorney, Agent, or Firm*—Winston Hsu

(\*\*) Term: **14 Years**

(57) **CLAIM**

The ornamental design for a lamp with high power LED, as shown and described.

(21) Appl. No.: **29/196,138**

(22) Filed: **Dec. 24, 2003**

**DESCRIPTION**

(51) **LOC (7) Cl.** ..... **26-06**

(52) **U.S. Cl.** ..... **D26/2**

(58) **Field of Search** ..... D26/1-4; 313/110,  
313/111, 113, 318; 362/341-350, 310, 311

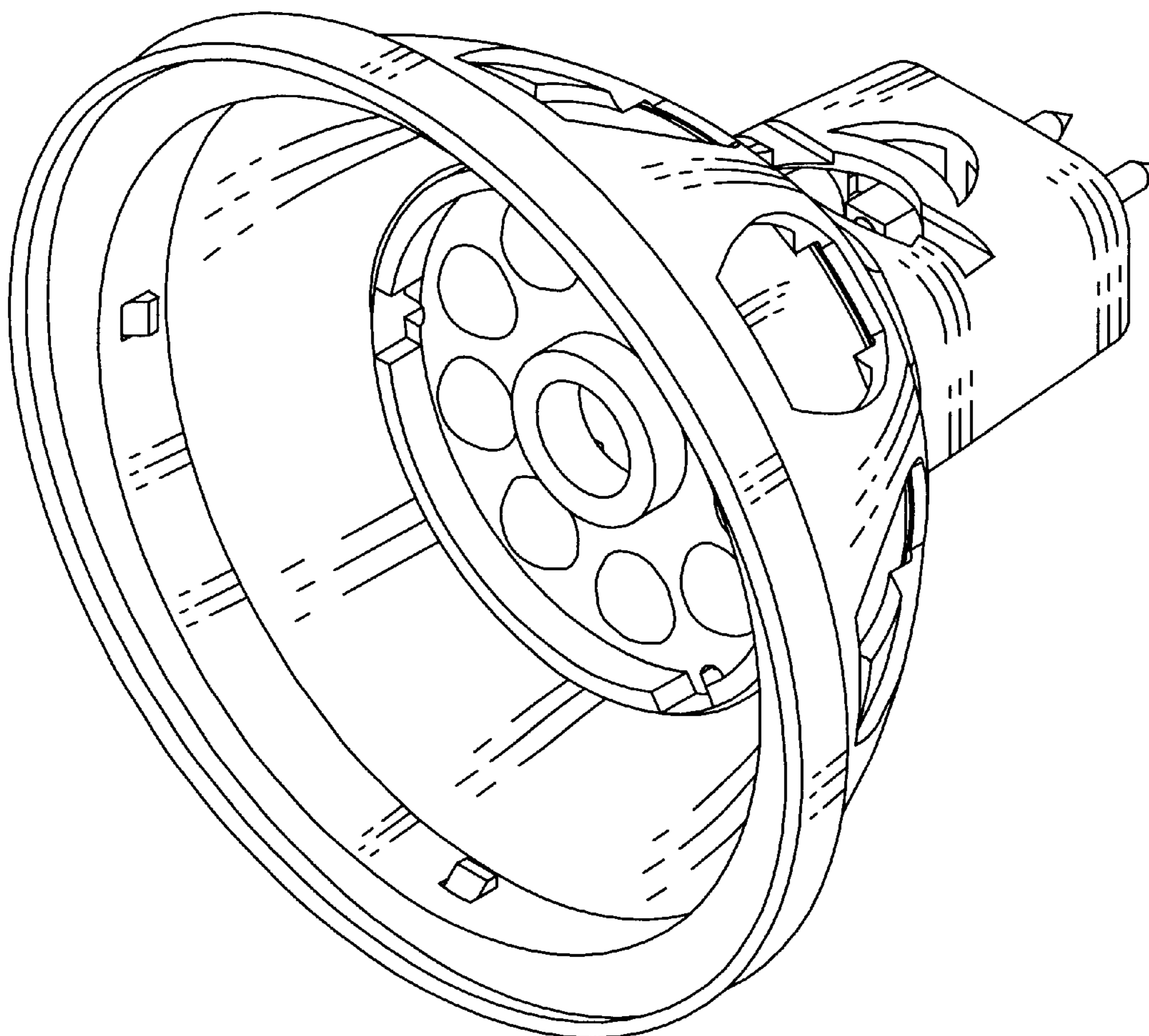
FIG. 1 is a front elevational view of a lamp with high power LED showing our new design;  
FIG. 2 is a rear elevational view thereof;  
FIG. 3 is a left side elevational view thereof;  
FIG. 4 is a right side elevational view thereof;  
FIG. 5 is a top plan view thereof;  
FIG. 6 is a bottom plan view thereof; and,  
FIG. 7 is a perspective view thereof.

(56) **References Cited**

**U.S. PATENT DOCUMENTS**

D333,188 S \* 2/1993 Hume et al. .... D26/2  
D336,963 S \* 6/1993 Levin et al. .... D26/2

**1 Claim, 7 Drawing Sheets**



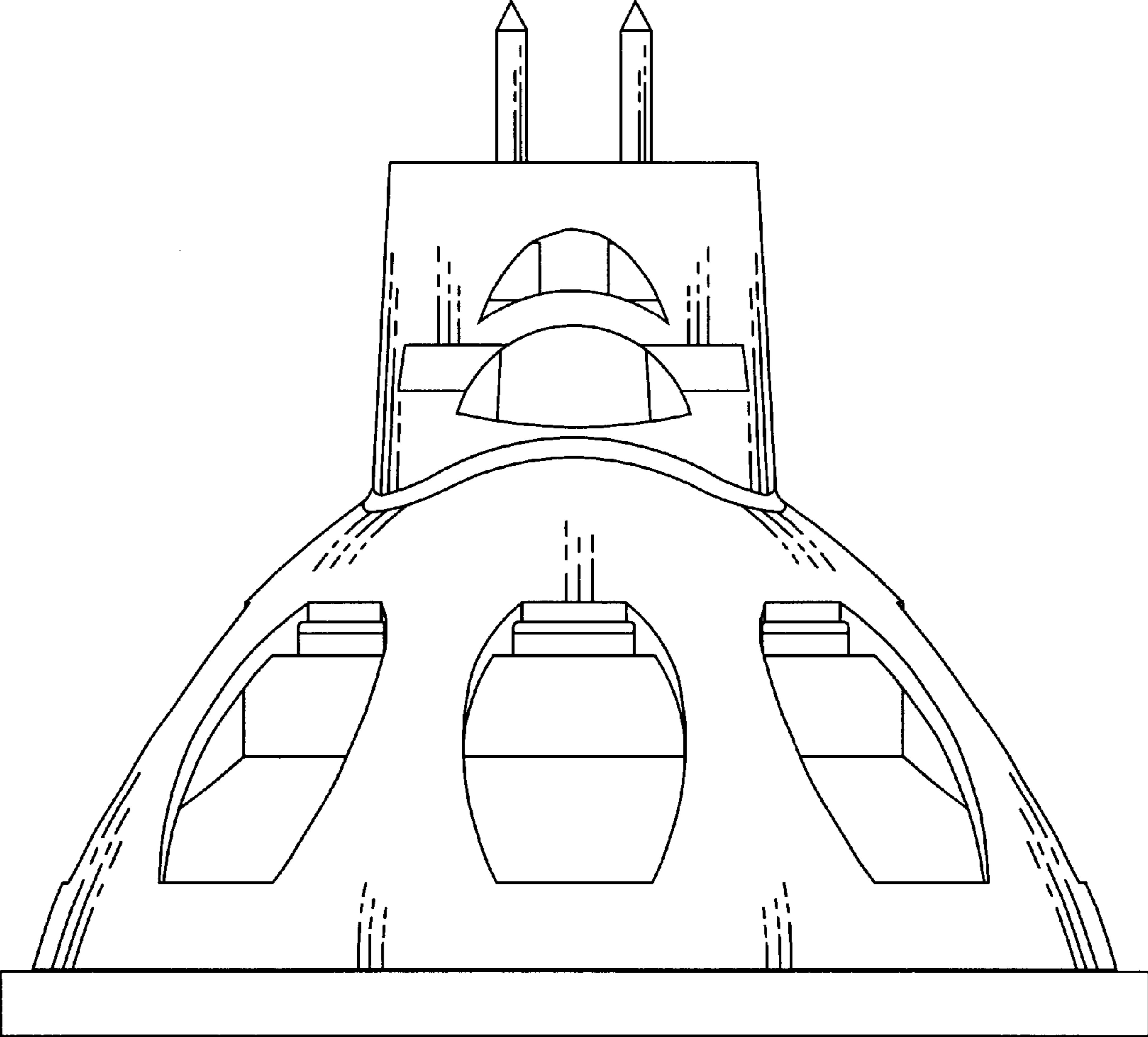


Fig. 1

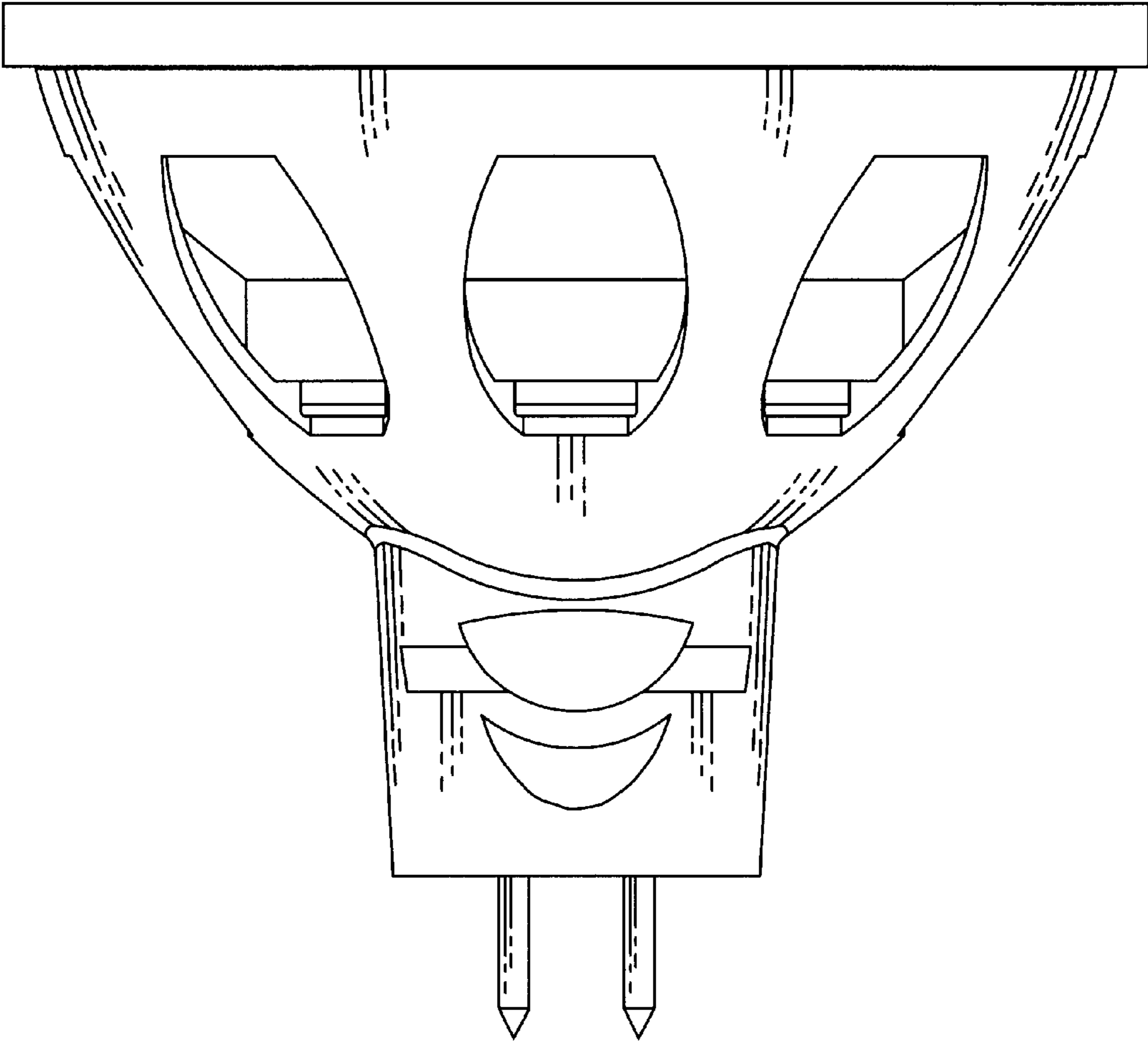


Fig. 2

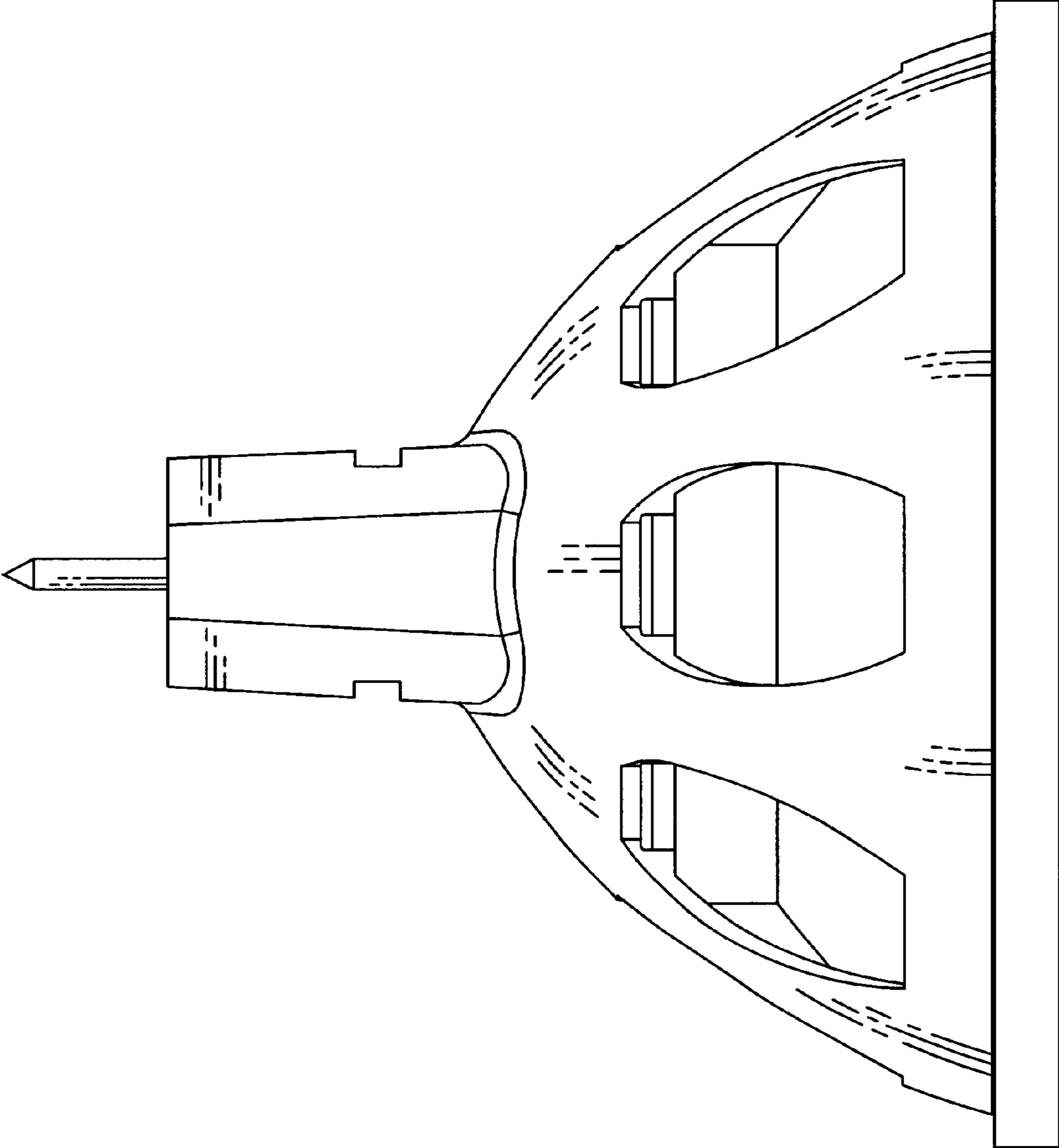


Fig. 3

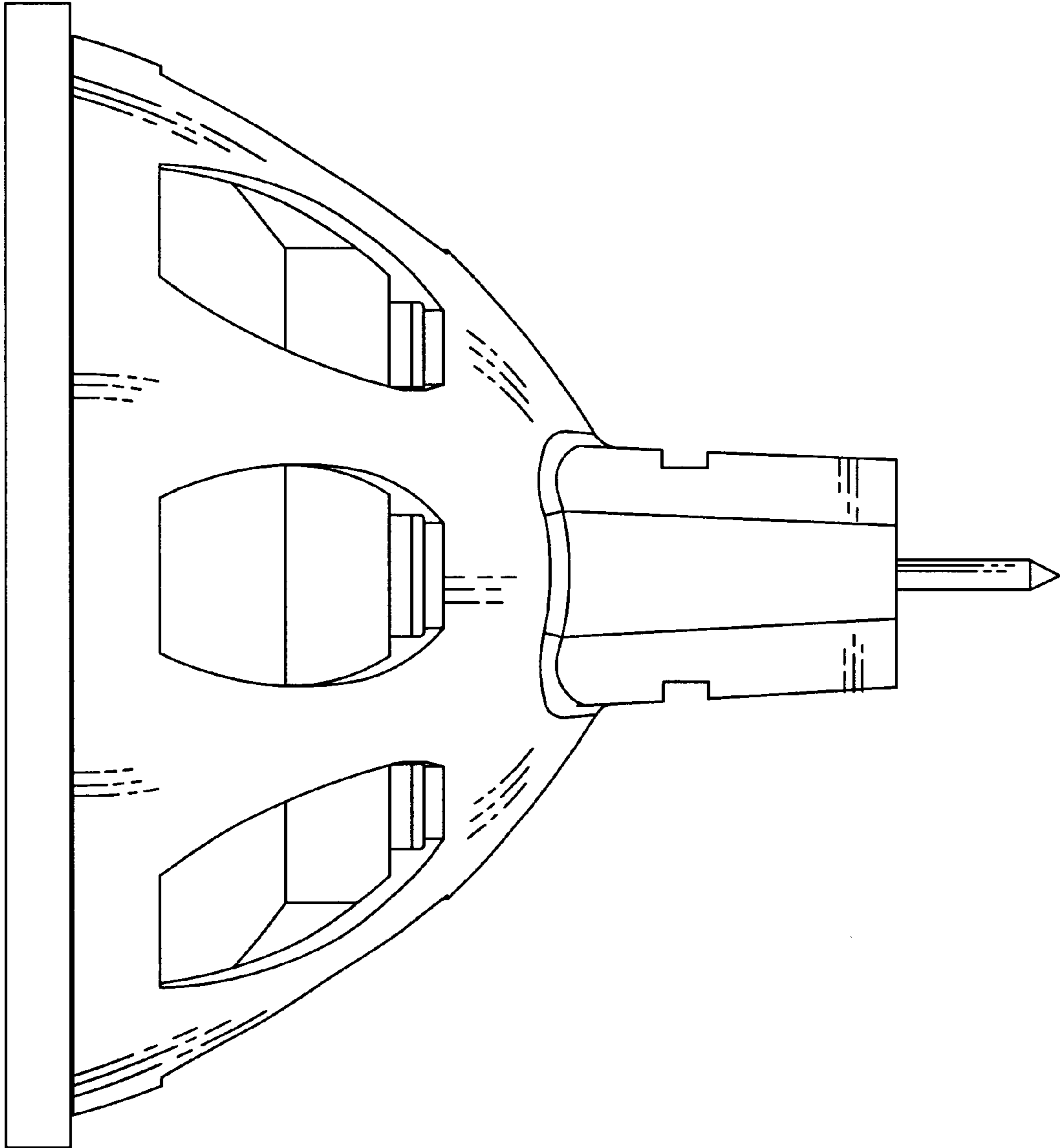


Fig. 4

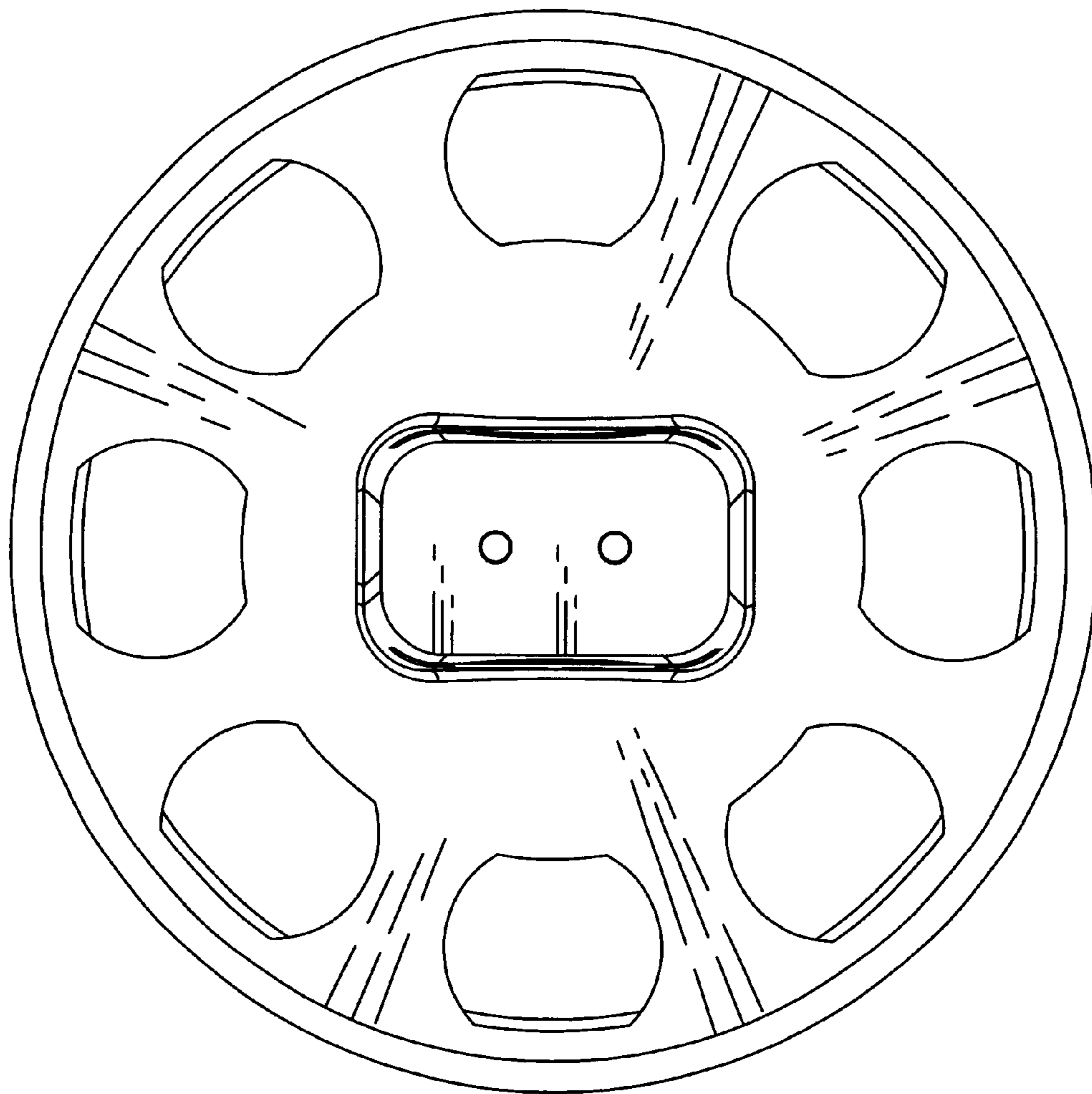


Fig. 5

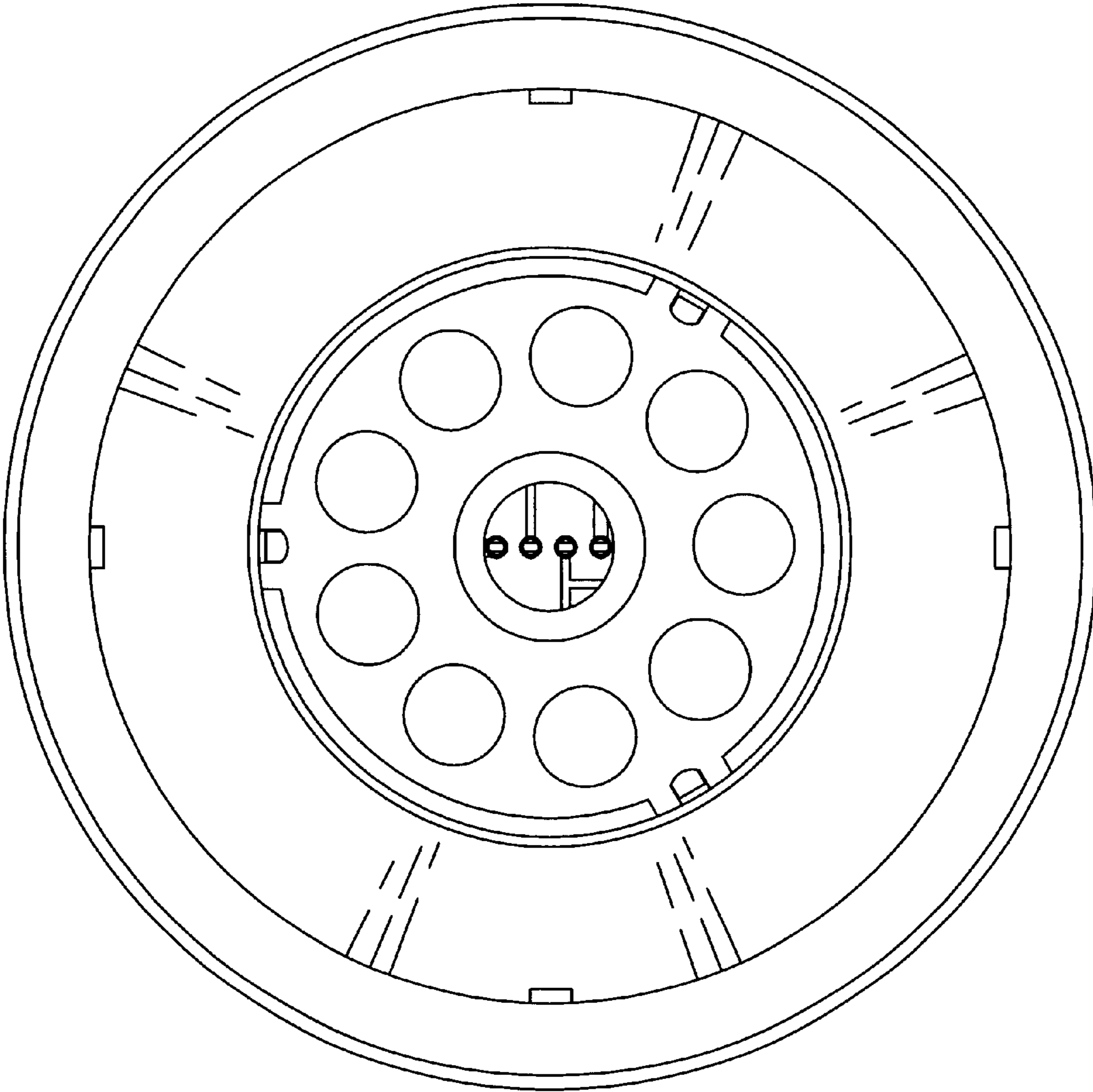


Fig. 6

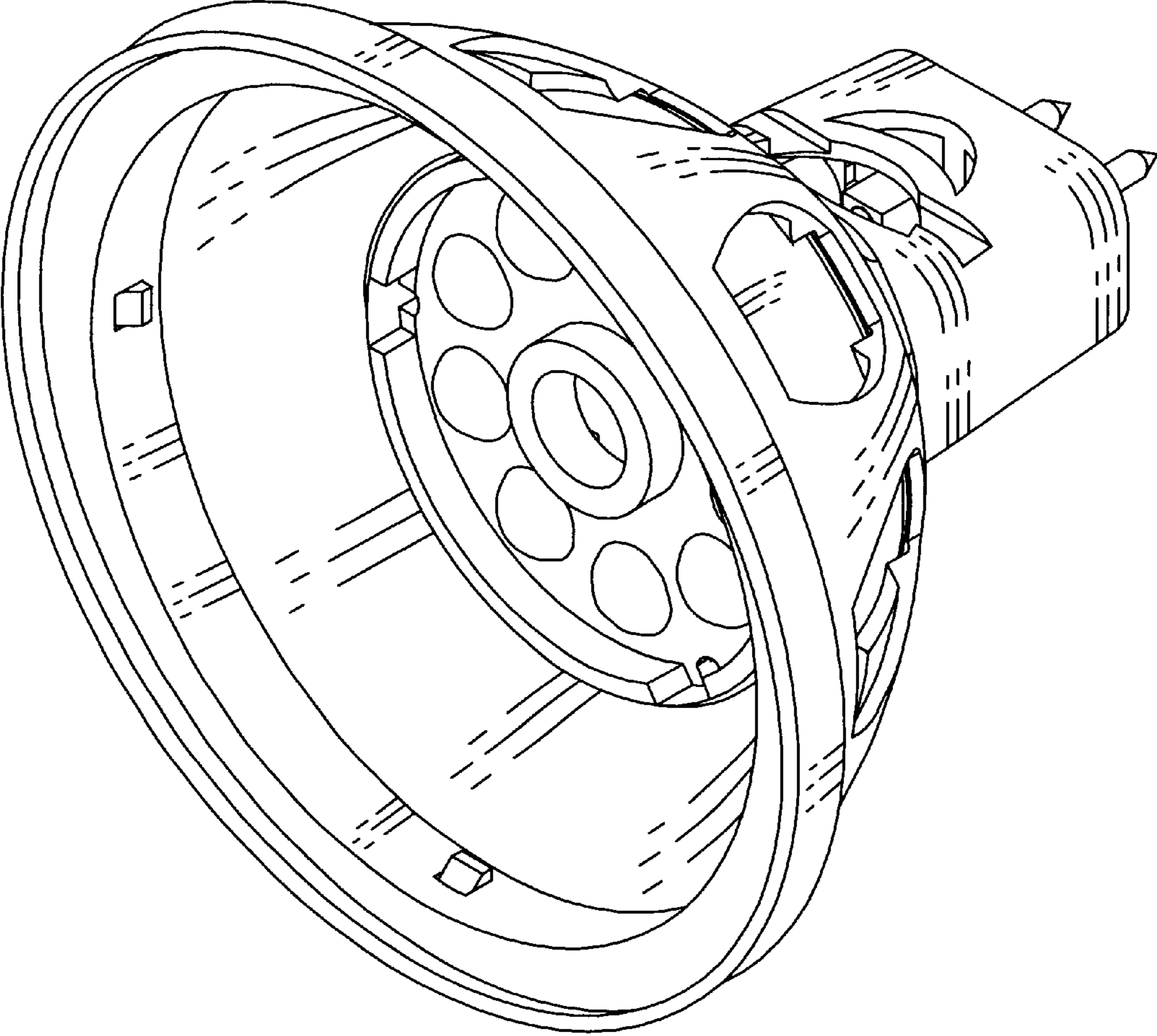


Fig. 7