



US00D497437S1

(12) **United States Design Patent** (10) **Patent No.:** **US D497,437 S**  
**Poliacek et al.** (45) **Date of Patent:** **\*\* Oct. 19, 2004**

(54) **HEXAGON TILE MODULE**

(76) Inventors: **Jiri Poliacek**, 1429 W. 134th St., Suite #4, Gardena, CA (US) 90249; **Jirina Jordan**, 1429 W. 134th St., Suite #4, Gardena, CA (US) 90249

(\*\*) Term: **14 Years**

(21) Appl. No.: **29/193,007**

(22) Filed: **Oct. 30, 2003**

(51) **LOC (7) Cl.** ..... **25-01**

(52) **U.S. Cl.** ..... **D25/138**

(58) **Field of Search** ..... D25/138, 151, D25/157, 161; 428/14, 33, 45; 52/311.1, 314, 316, 384, 390, 415

(56) **References Cited**

**U.S. PATENT DOCUMENTS**

|              |           |                 |         |
|--------------|-----------|-----------------|---------|
| 5,438,809 A  | 8/1995    | Ehrlich         | 52/390  |
| 5,447,004 A  | 9/1995    | Vrnak           | 52/387  |
| D365,160 S   | * 12/1995 | Tinen           | D25/138 |
| RE35,380 E   | 11/1996   | Rea et al.      | 52/387  |
| 6,138,423 A  | 10/2000   | Poutanen et al. | 52/384  |
| 6,260,326 B1 | 7/2001    | Muller-Hartburg | 52/601  |
| D470,602 S   | * 2/2003  | Pate            | D25/138 |
| D486,592 S   | * 2/2004  | Hong            | D25/138 |

\* cited by examiner

*Primary Examiner*—Doris Clark

(74) *Attorney, Agent, or Firm*—Cislo & Thomas LLP

(57) **CLAIM**

The ornamental design for a hexagon tile module, as shown and described.

**DESCRIPTION**

FIG. 1. Is a front perspective view of our hexagon tile module;

FIG. 2. Is a top plan view thereof;

FIG. 3. Is a right side elevational view thereof with the left side elevational view being a mirror image thereof;

FIG. 4. Is a front elevational view thereof with the rear elevational view being a mirror image thereof.

FIG. 5. Is a front perspective view of a second embodiment of our hexagon tile module;

FIG. 6. Is a top plan view of the FIG. 5 embodiment;

FIG. 7. Is a right side elevational view of the FIG. 5 embodiment with the left side elevational view being a mirror image thereof;

FIG. 8. Is a front elevational view of the FIG. 5 embodiment with the rear elevational view being a mirror image thereof;

FIG. 9. Is a front perspective view of a third embodiment of our hexagon tile module;

FIG. 10. Is a top plan view of the FIG. 9 embodiment;

FIG. 11. Is a right side elevational view of the FIG. 9 embodiment with the left side elevational view being a mirror image thereof;

FIG. 12. Is a front elevational view of the FIG. 9 embodiment with the rear elevational view being a mirror image thereof;

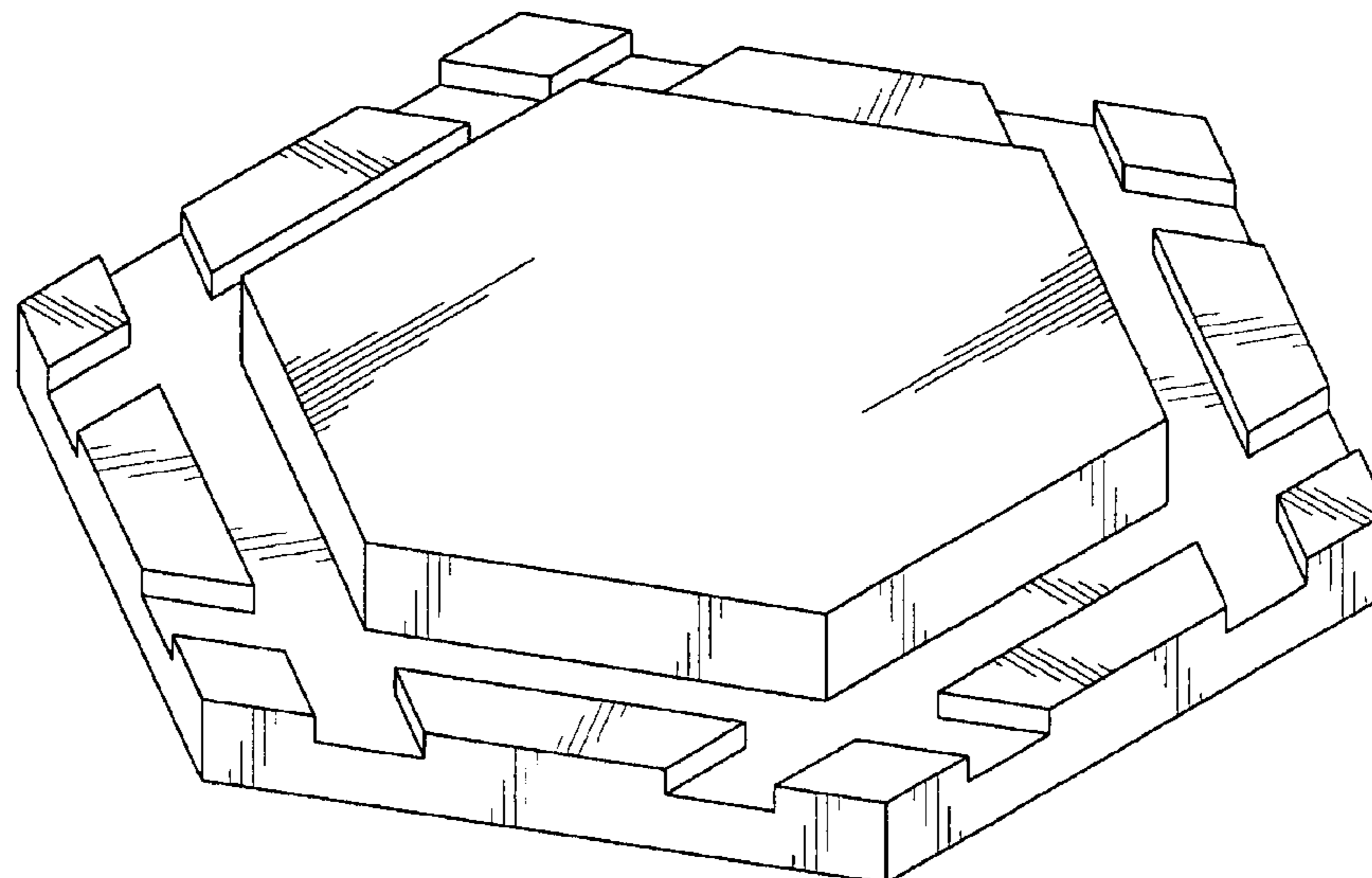
FIG. 13. Is a front perspective view of a fourth embodiment of our hexagon tile module;

FIG. 14. Is a top plan view of the FIG. 13 embodiment;

FIG. 15. Is a right side elevational view of the FIG. 14 embodiment with the left side elevational view being a mirror image thereof; and,

FIG. 16. Is a front elevational view of the FIG. 13 embodiment with the rear elevational view being a mirror image thereof.

**1 Claim, 8 Drawing Sheets**



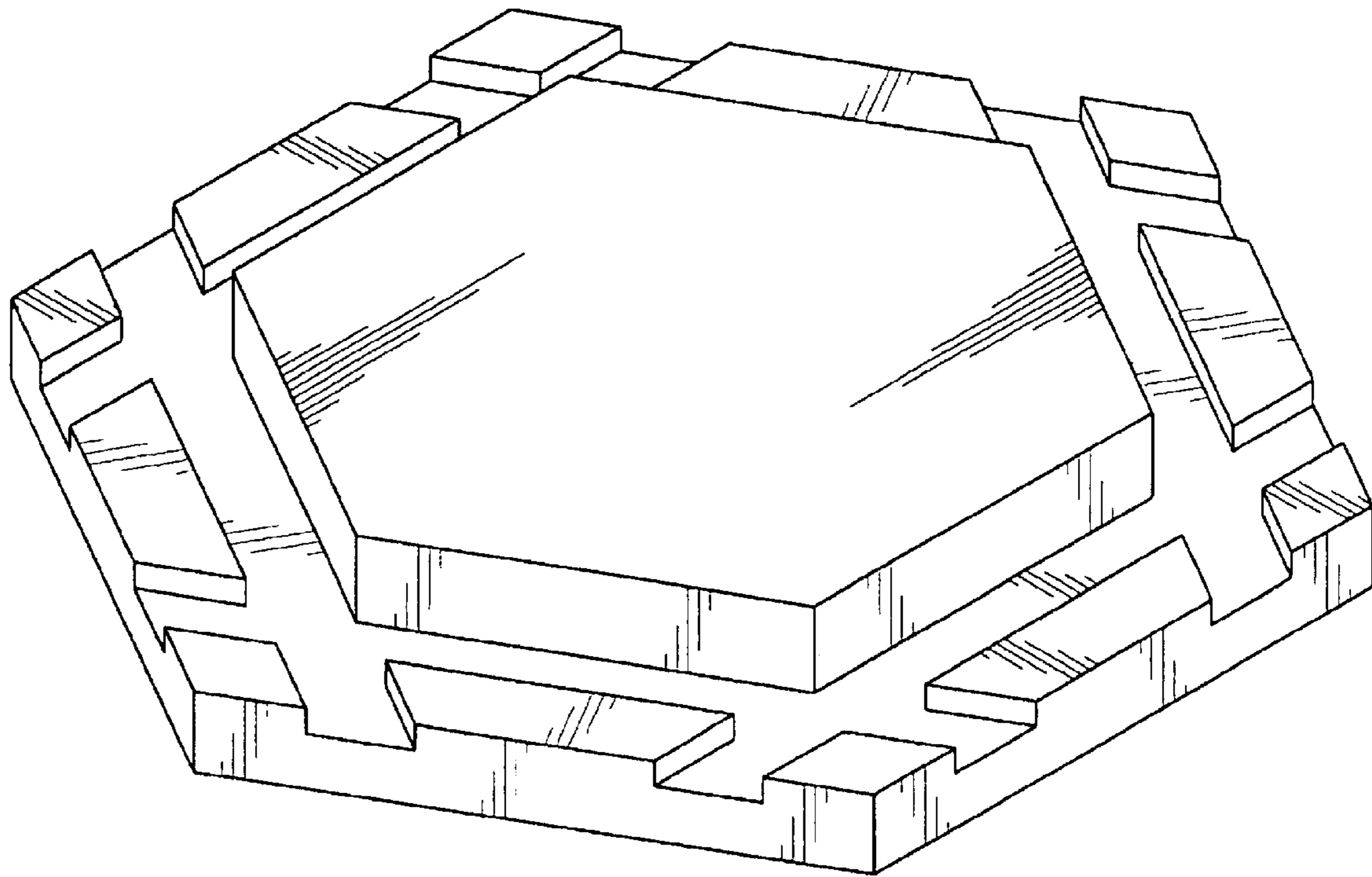


FIG. 1

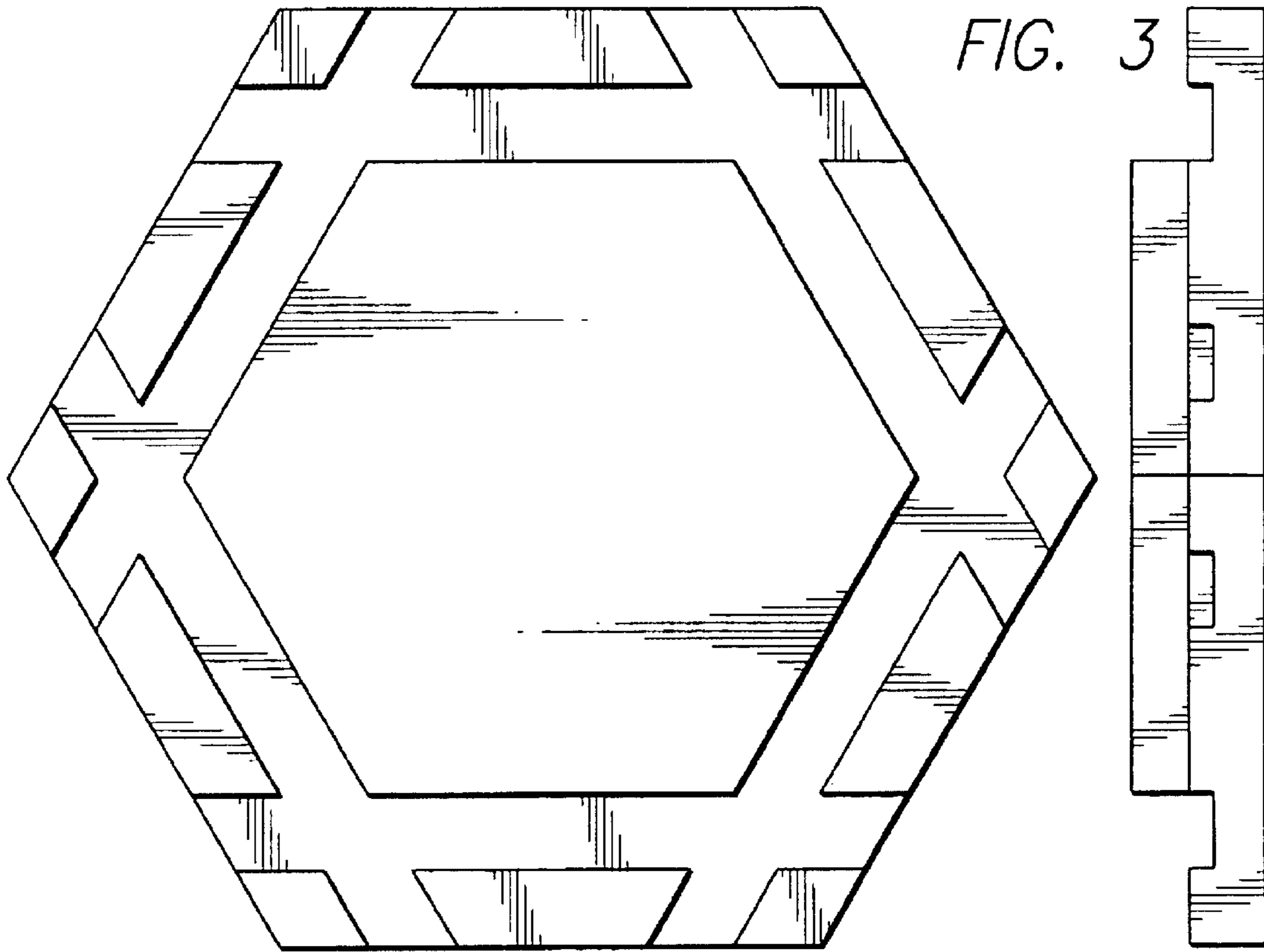


FIG. 2

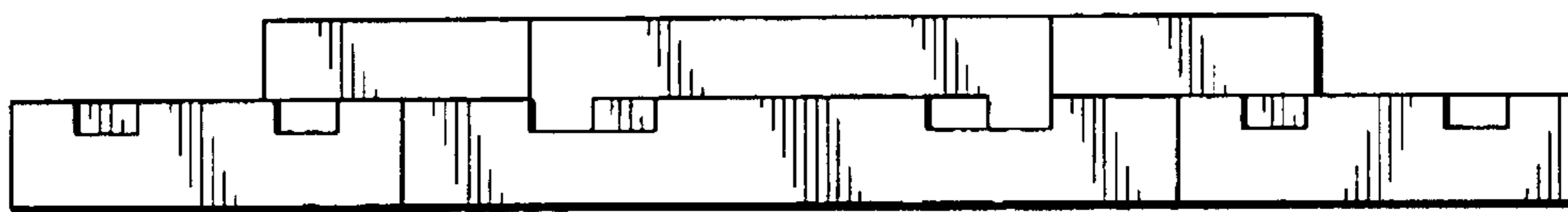


FIG. 4

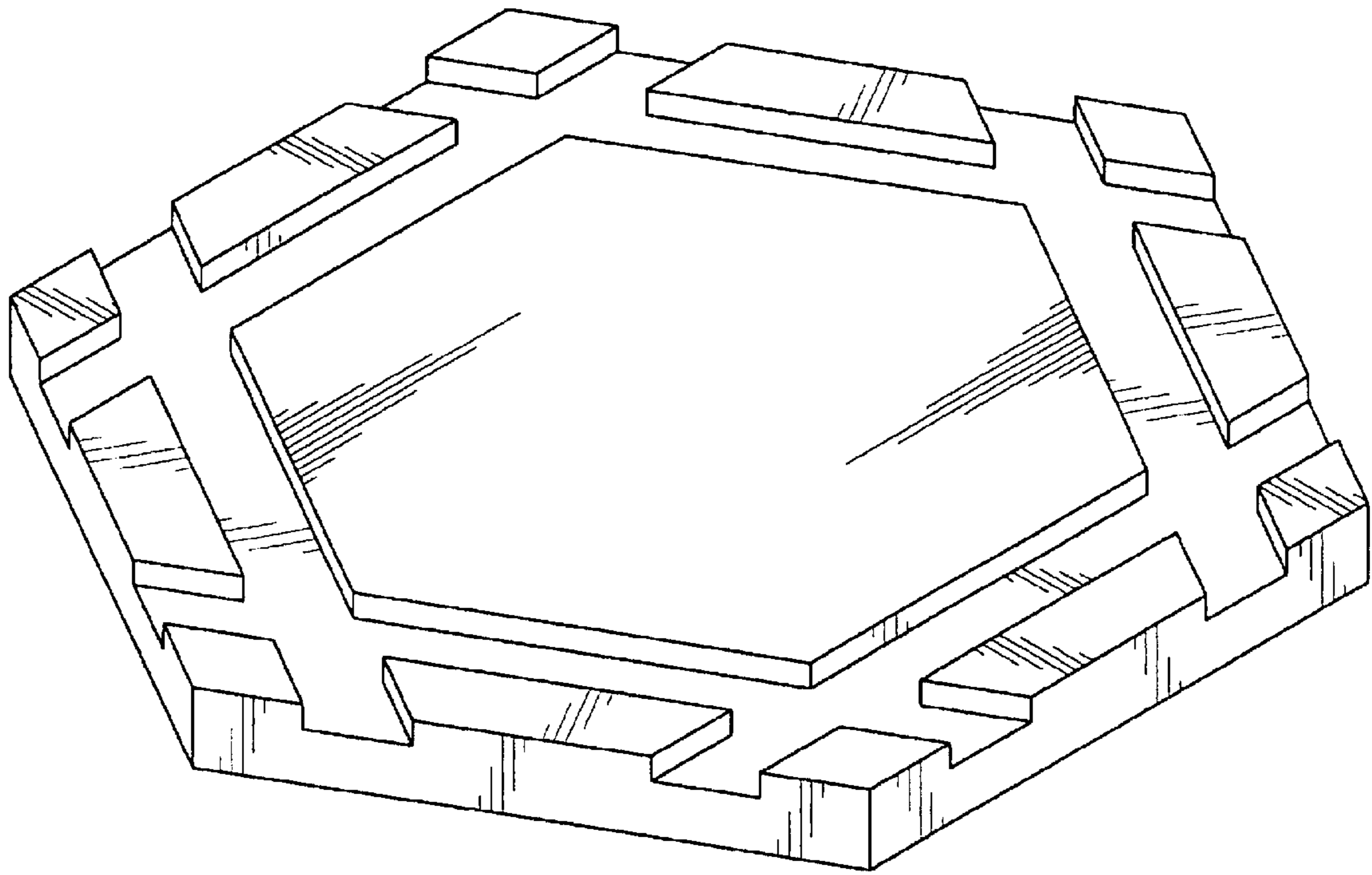


FIG. 5

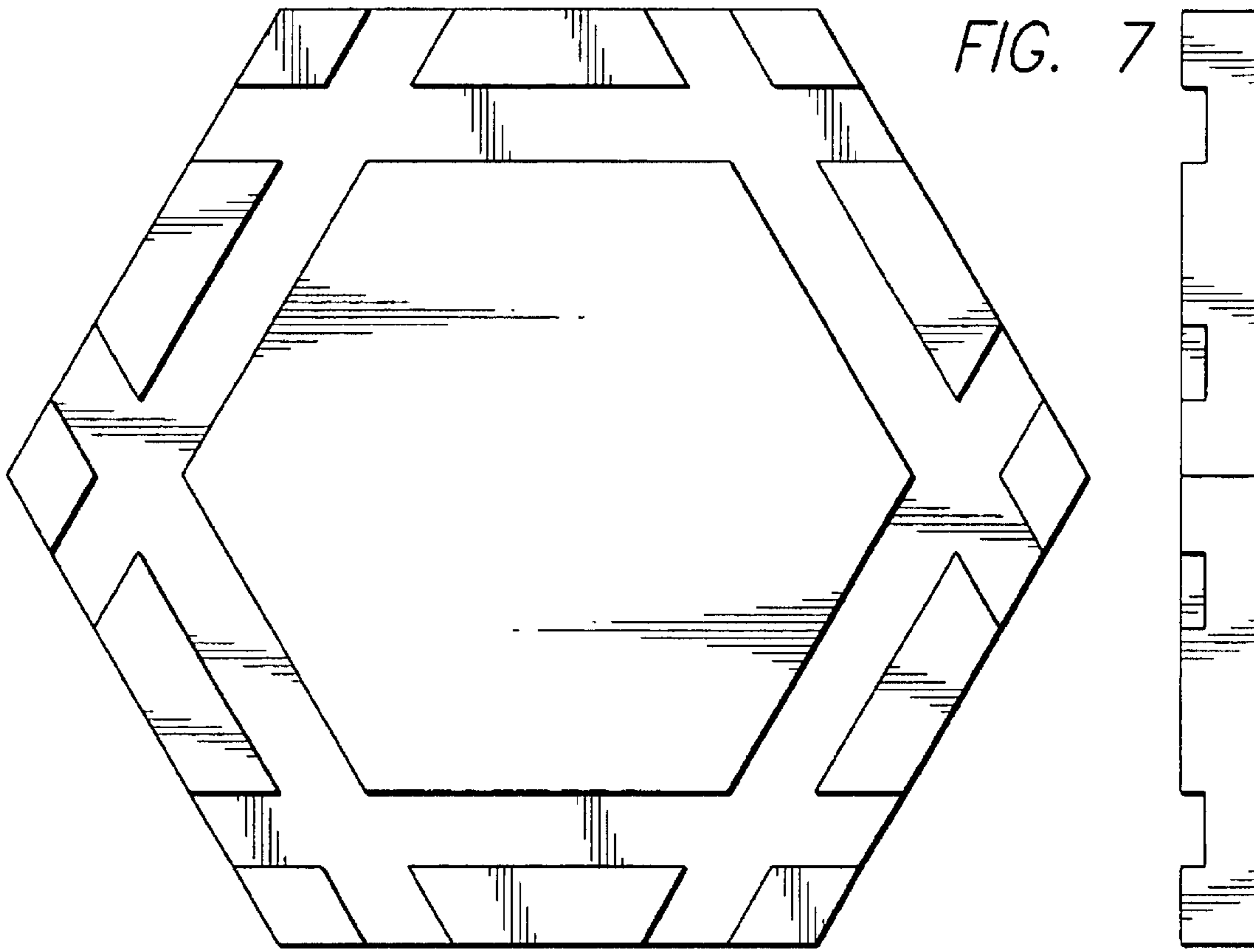


FIG. 6



FIG. 8

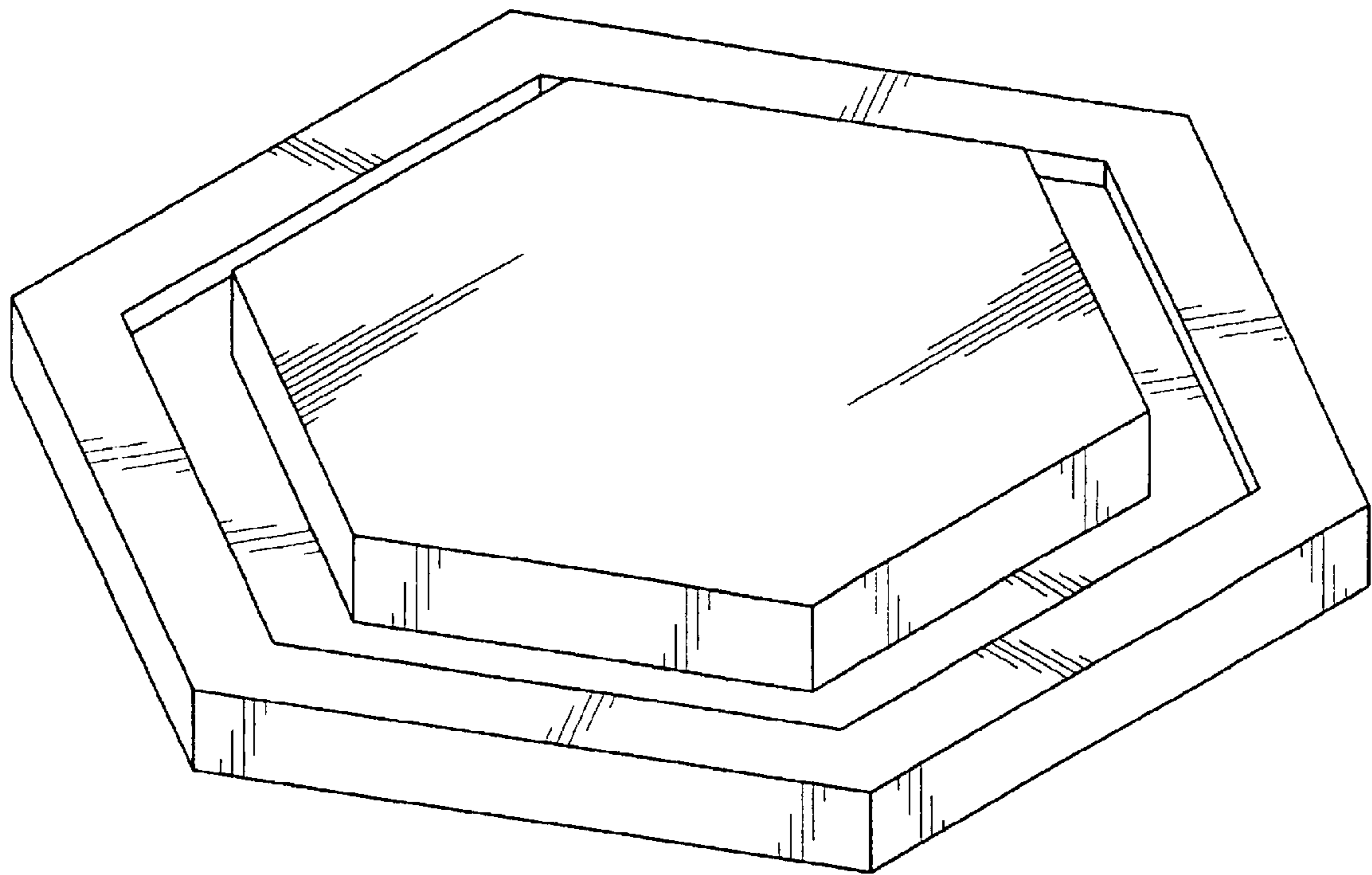


FIG. 9

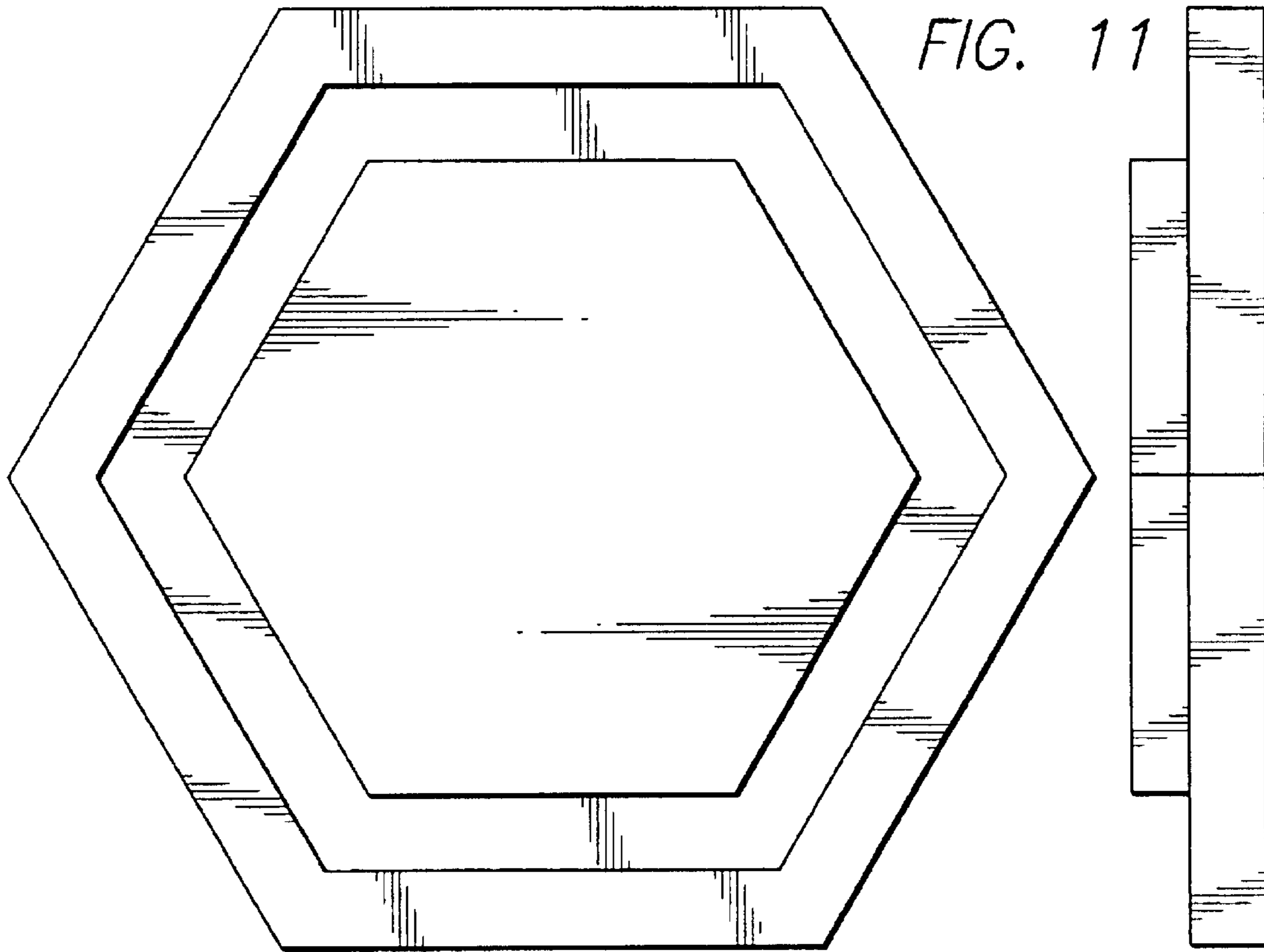


FIG. 10

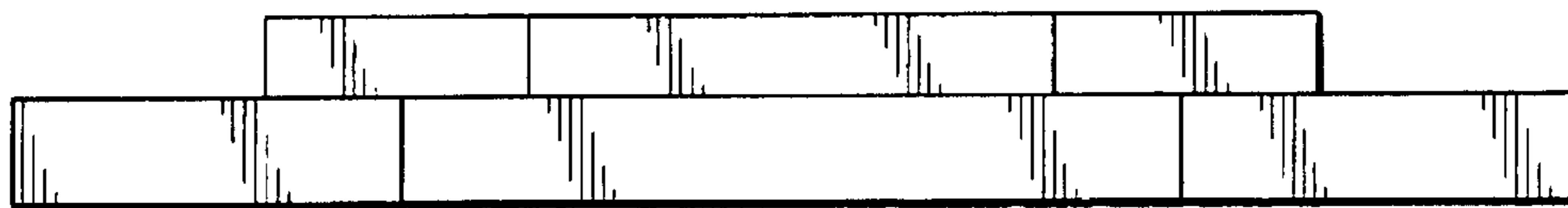


FIG. 12

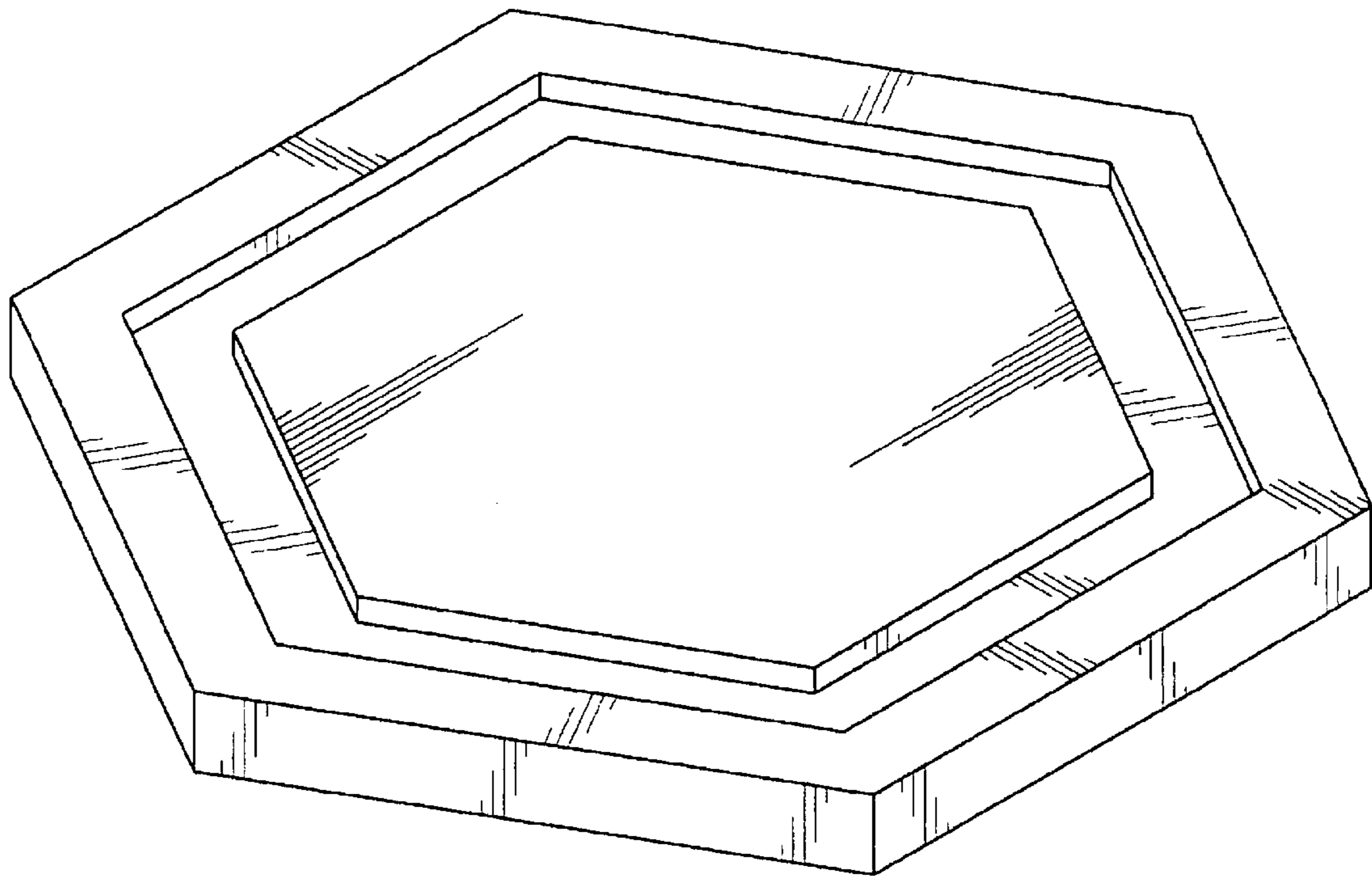


FIG. 13



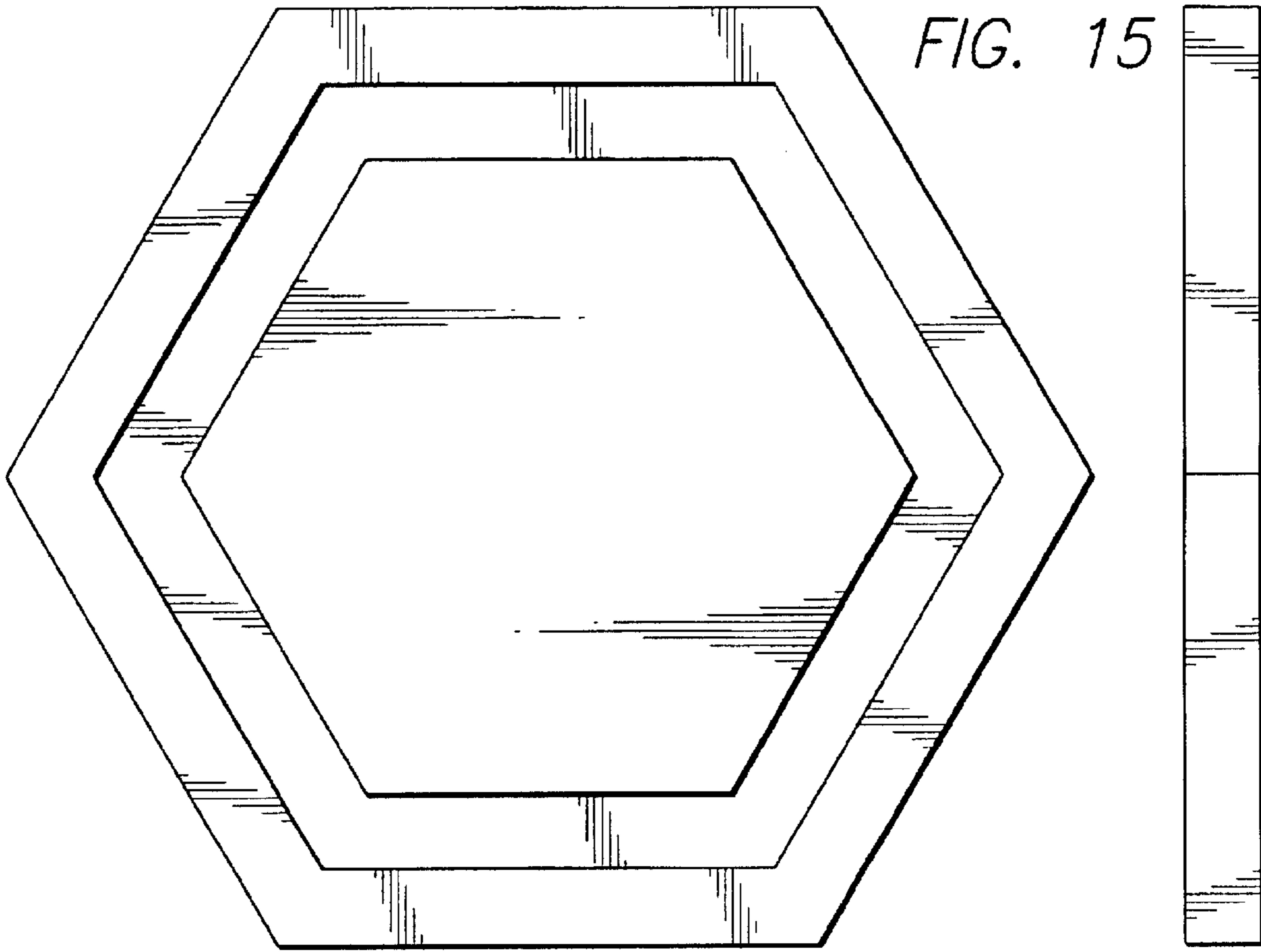


FIG. 14



FIG. 16