



US00D497435S1

(12) **United States Design Patent**
Male

(10) **Patent No.:** **US D497,435 S**
(45) **Date of Patent:** **** Oct. 19, 2004**

(54) **TERRA-COTTA PANEL FOR A SUNSCREEN**

(74) *Attorney, Agent, or Firm*—Sughrue Mion, PLLC

(75) **Inventor:** **Phillippe Male**, Toulouse (FR)

(57) **CLAIM**

(73) **Assignee:** **Saint-Gobain Terreal**, Courbevoie (FR)

The ornamental design for a terra-cotta panel for a sunscreen, as shown and described.

(**) **Term:** **14 Years**

DESCRIPTION

(21) **Appl. No.:** **29/189,424**

FIG. 1 is a perspective view of the top, front and one end of a terra-cotta panel for a sunscreen according to a first embodiment showing my new design;

(22) **Filed:** **Sep. 5, 2003**

FIG. 2 is a front elevational view, the rear elevational view being identical thereto;

(30) **Foreign Application Priority Data**

Mar. 7, 2003 (FR) 03 1466

FIG. 3 is a top plan view thereof, the bottom plan view being identical thereto;

(51) **LOC (7) Cl.** **25-01**

FIG. 4 is an end view of said one end thereof, the opposite end being identical thereto;

(52) **U.S. Cl.** **D25/126**

(58) **Field of Search** D25/138, 122,
D25/126; 135/87, 121, 127, 114, 117, 120.1

FIG. 5 is a perspective view of the top front and one end of a panel for a terra-cotta sunscreen according to a second embodiment;

(56) **References Cited**

U.S. PATENT DOCUMENTS

D409,768 S * 5/1999 Schiess D25/126

FIG. 6 is a front elevational view thereof, the rear elevational view being identical thereto;

D453,045 S * 1/2002 Ohanesian D25/124

FIG. 7 is a top plan view thereof, the bottom plan view being identical thereto; and,

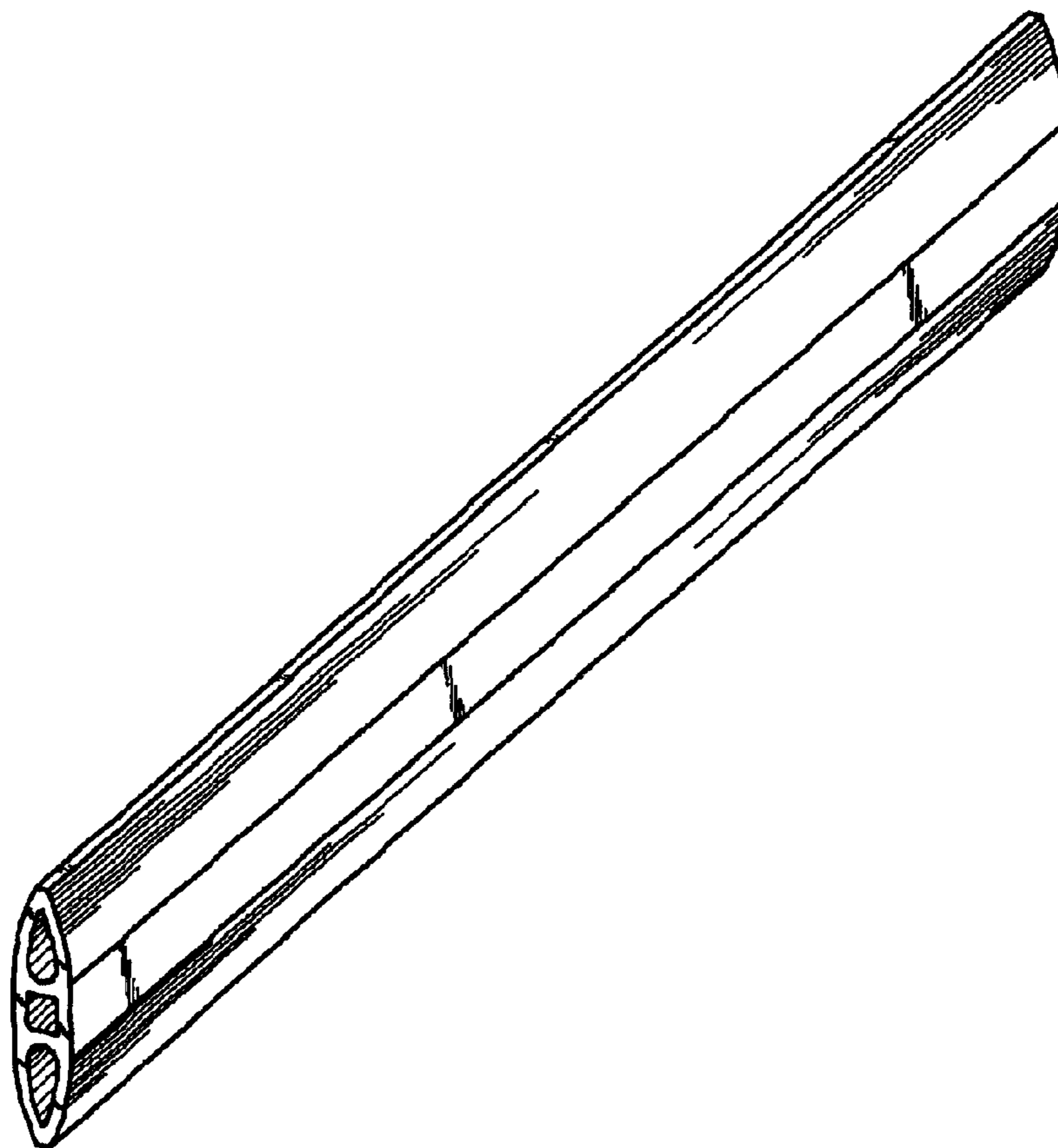
D455,220 S * 4/2002 Forbis D25/126

FIG. 8 is an end elevational view of said one end thereof, the opposite end being identical thereto.

* cited by examiner

Primary Examiner—Doris Clark

1 Claim, 4 Drawing Sheets



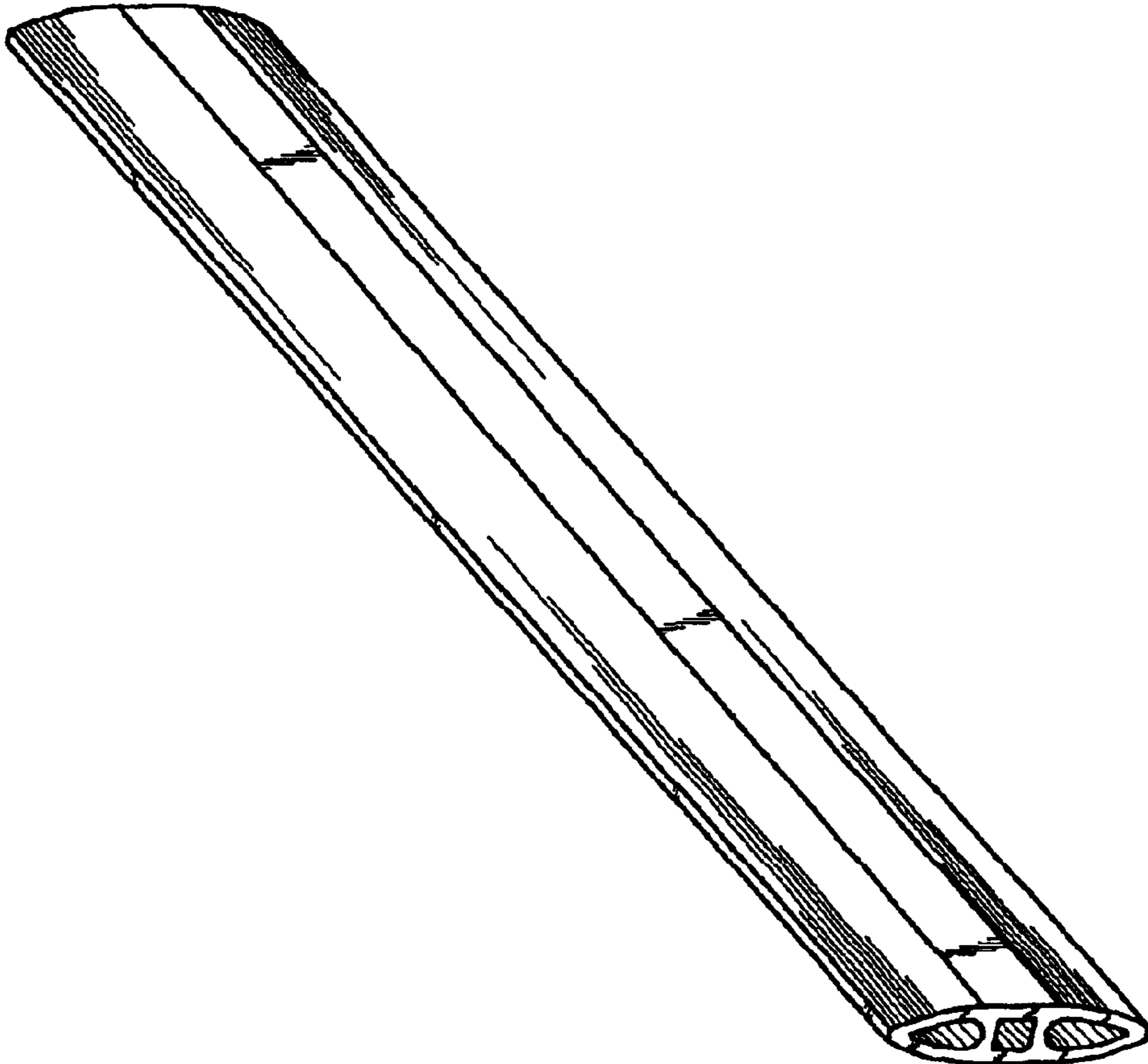


Fig. 1

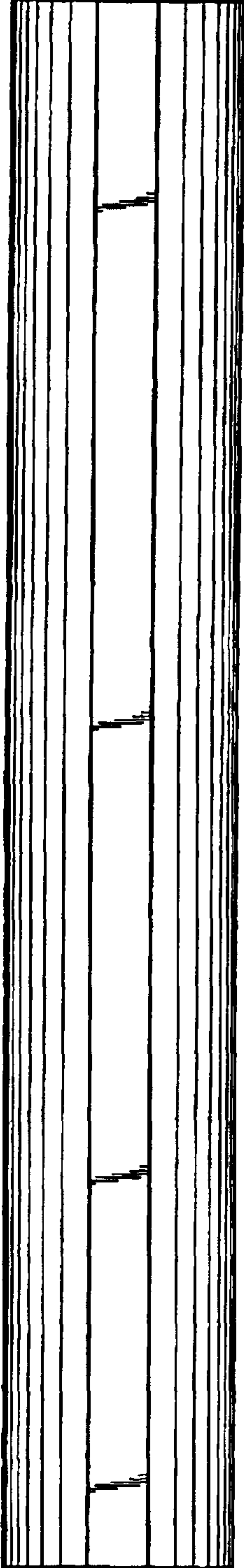


Fig. 2



Fig. 3



Fig. 4

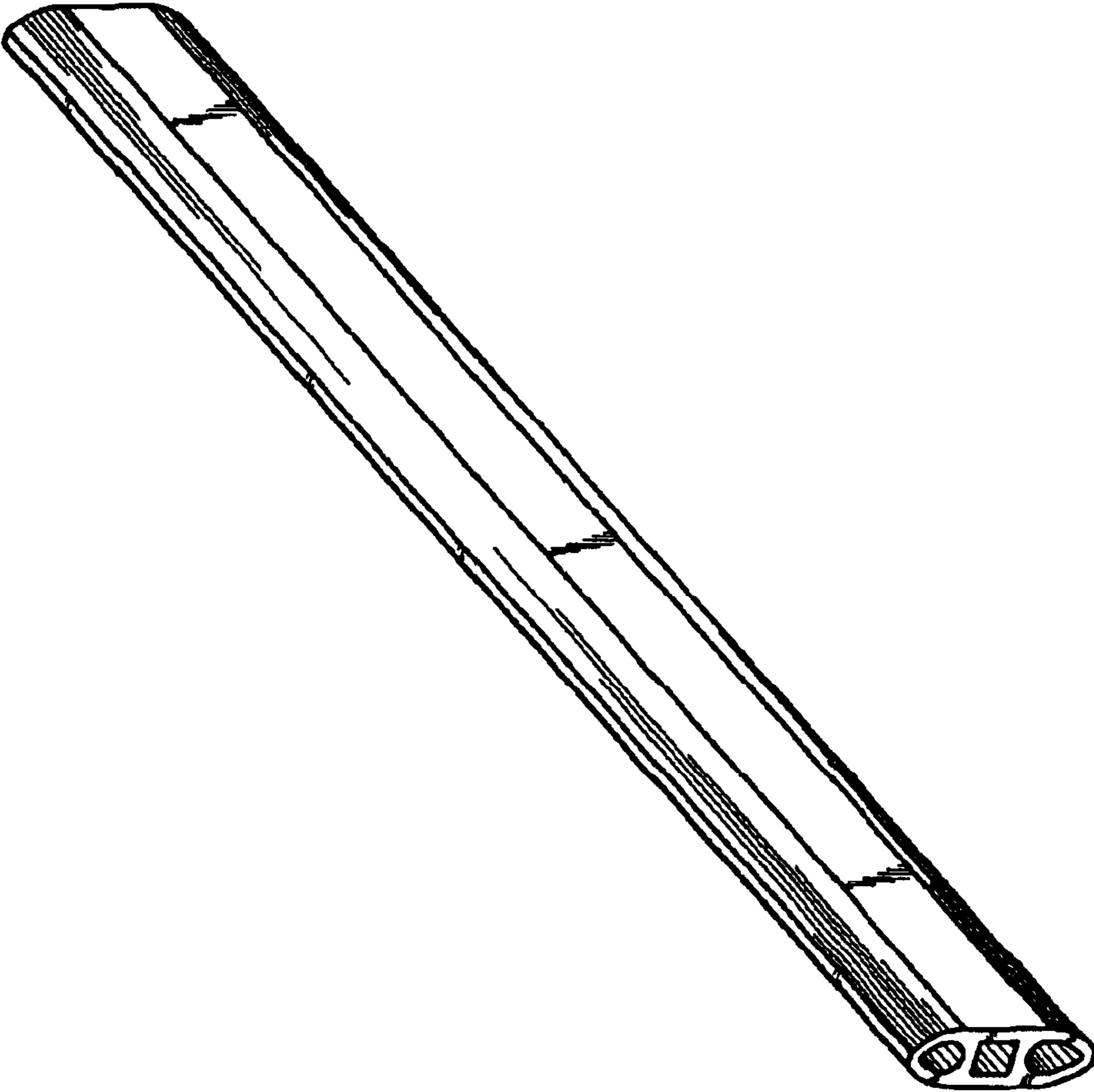


Fig. 5

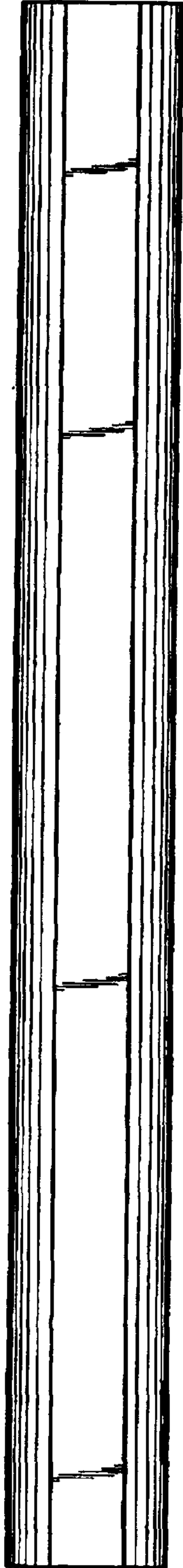


Fig. 6



Fig. 7



Fig. 8