

US00D497432S1

(12) **United States Design Patent**
Ohanesian

(10) **Patent No.:** **US D497,432 S**

(45) **Date of Patent:** **** Oct. 19, 2004**

(54) **FENCE RAIL**

(76) **Inventor:** **Viken Ohanesian**, 26 Pacific Crest,
Laguna Niguel, CA (US) 92677

(**) **Term:** **14 Years**

(21) **Appl. No.:** **29/193,872**

(22) **Filed:** **Nov. 13, 2003**

(51) **LOC (7) Cl.** **25-02**

(52) **U.S. Cl.** **D25/38**

(58) **Field of Search** D25/38, 41-44,
D25/164; 256/22, 59, 65, 21, 19

(56) **References Cited**

U.S. PATENT DOCUMENTS

D446,315 S * 8/2001 Forbis D25/38

* cited by examiner

Primary Examiner—Doris Clark

(74) *Attorney, Agent, or Firm*—Myers Dawes Andras &
Sherman LLP; Vic Lin

(57) **CLAIM**

I claim the ornamental design for the fence rail, as shown
and described.

DESCRIPTION

FIG. 1 is a perspective view of a fence rail;

FIG. 2 is a front view thereof;

FIG. 3 is a rear view thereof;

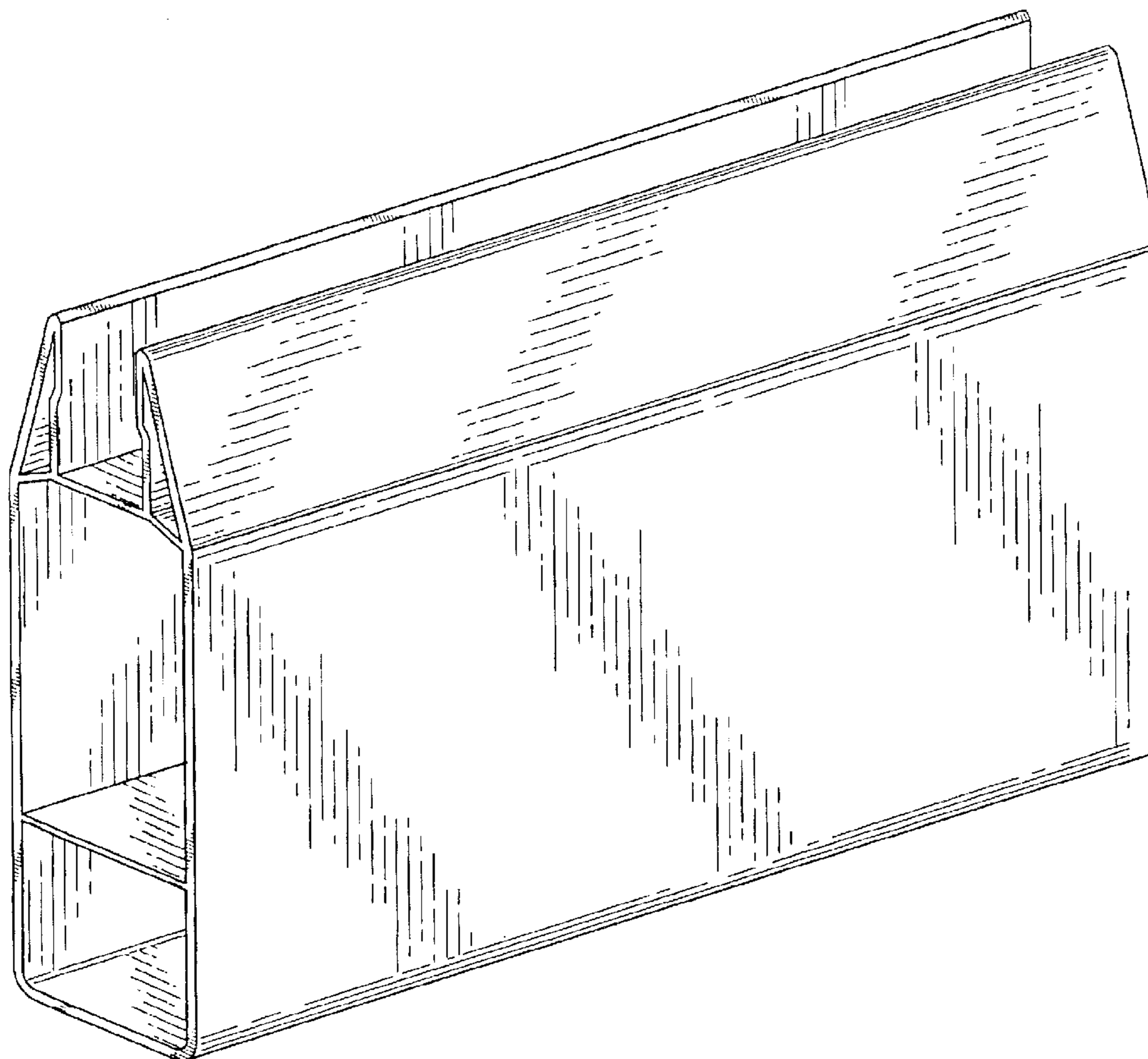
FIG. 4 is a left side view thereof;

FIG. 5 is a right side view thereof;

FIG. 6 is a bottom view thereof; and,

FIG. 7 is a top view thereof.

1 Claim, 5 Drawing Sheets



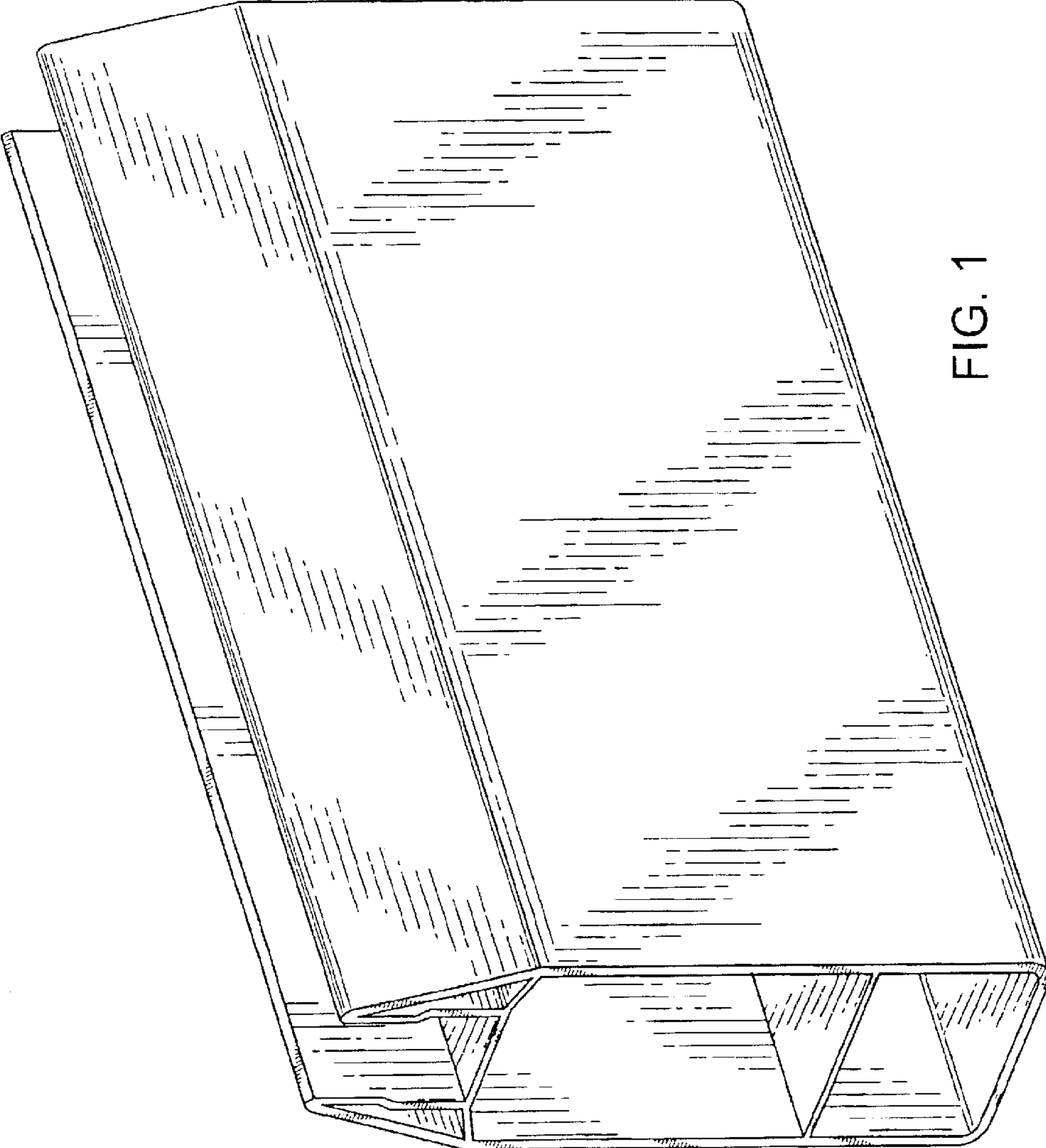


FIG. 1

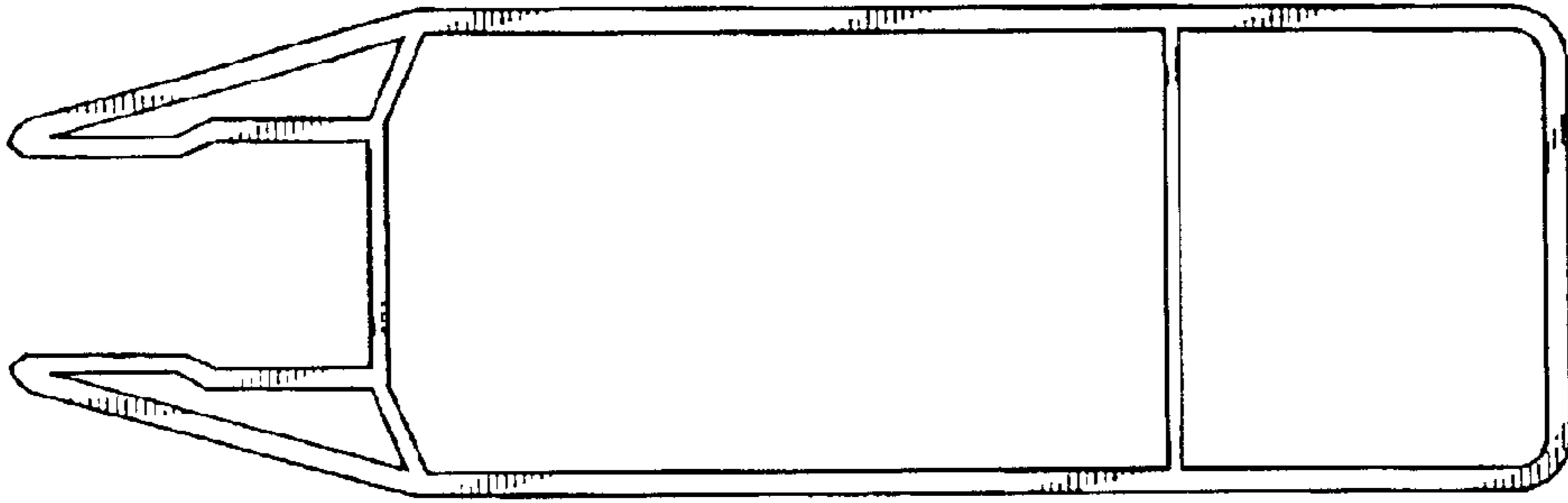


FIG. 3

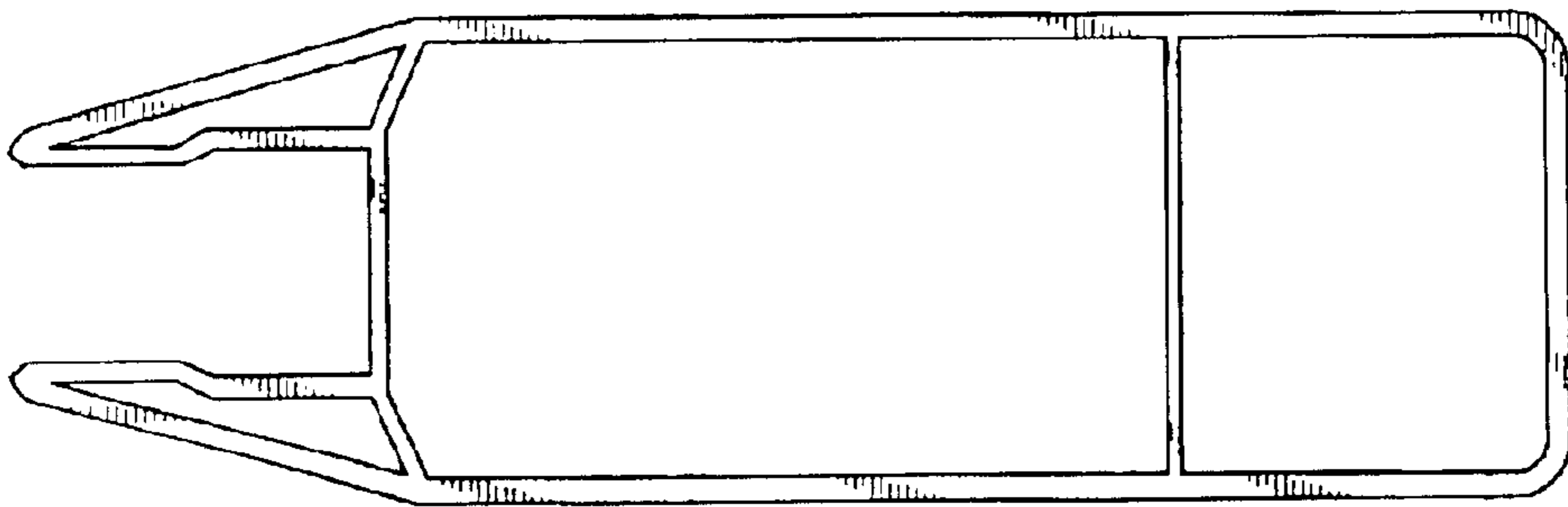


FIG. 2

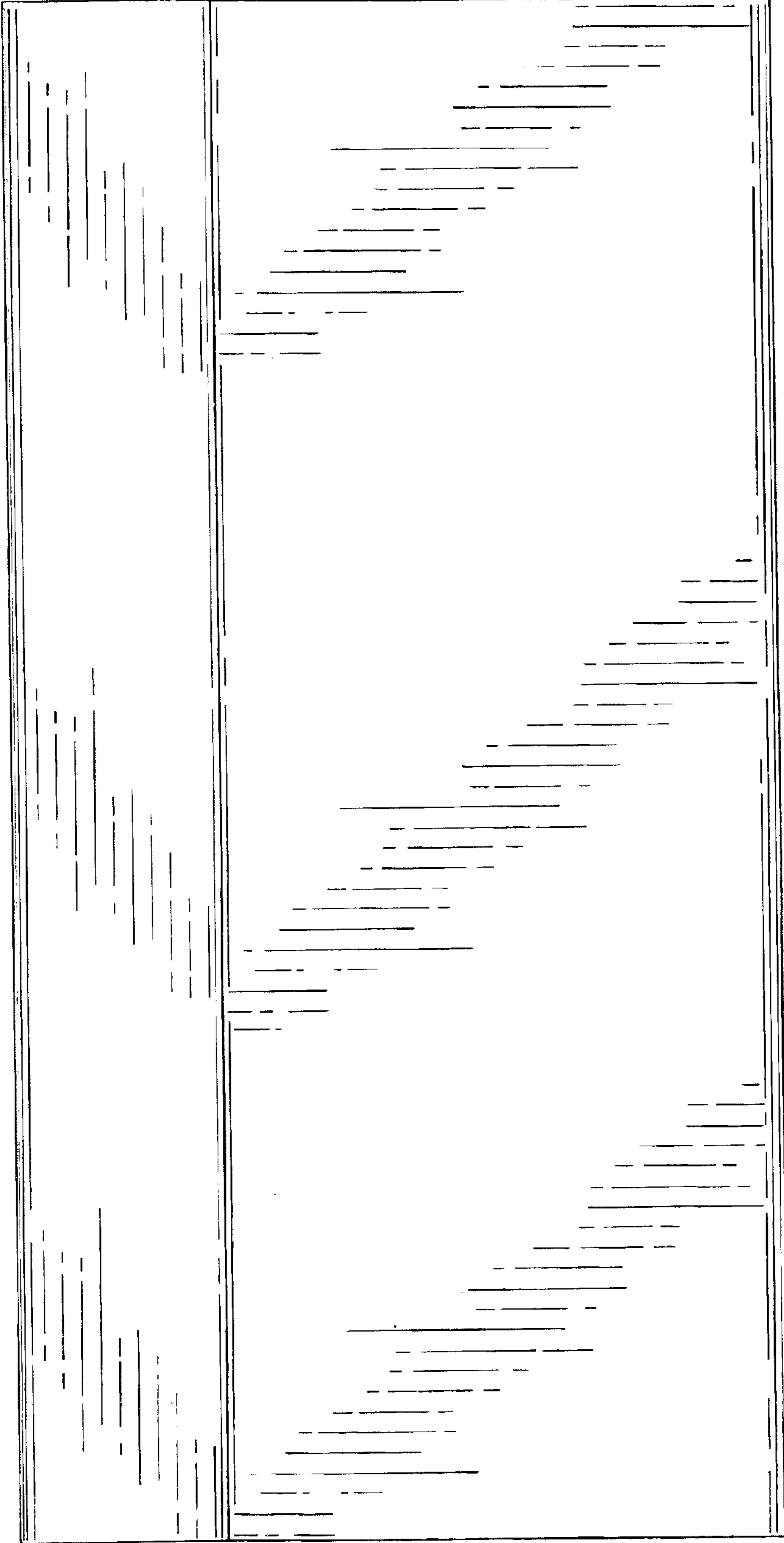


FIG. 4

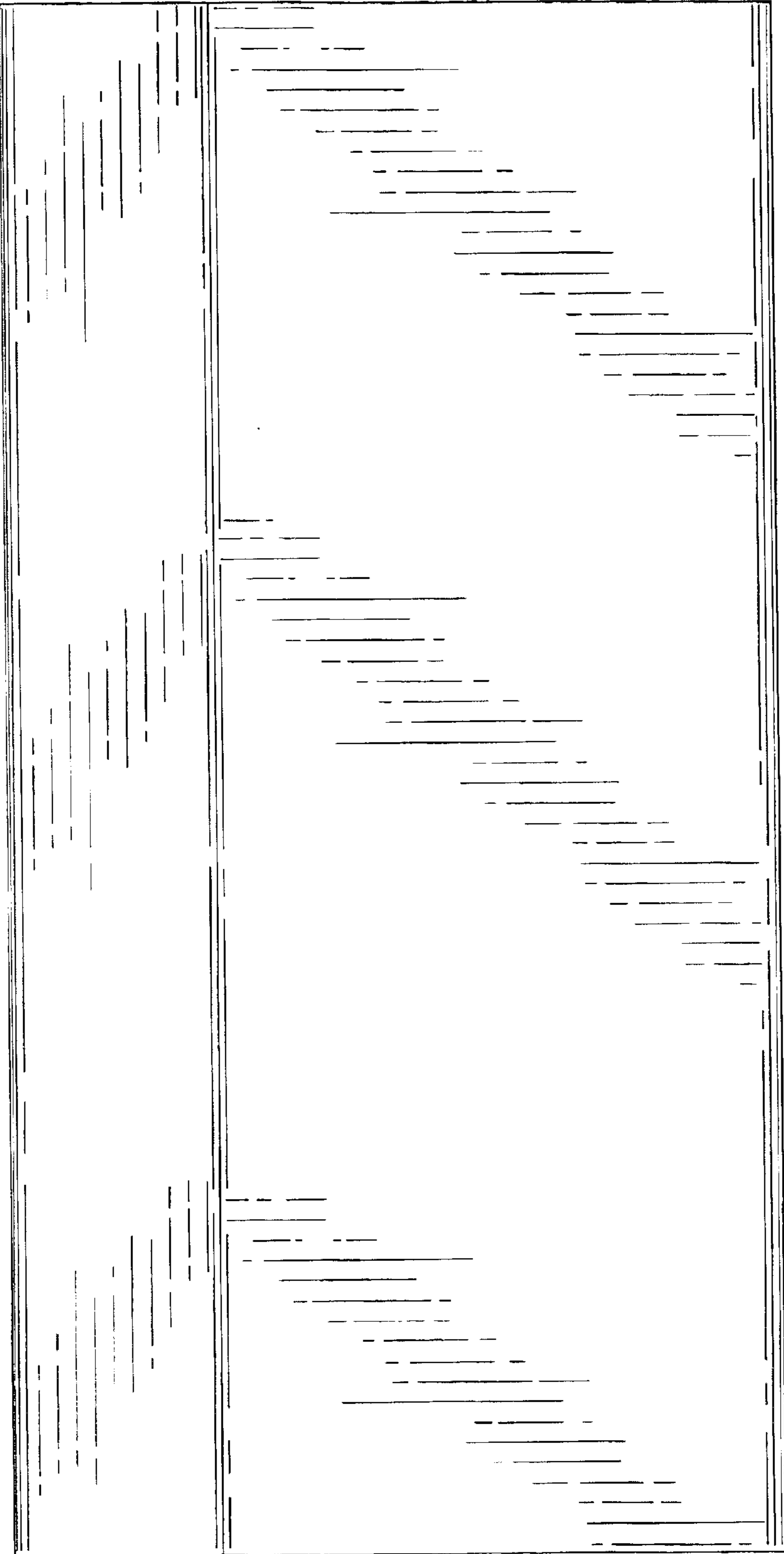


FIG. 5

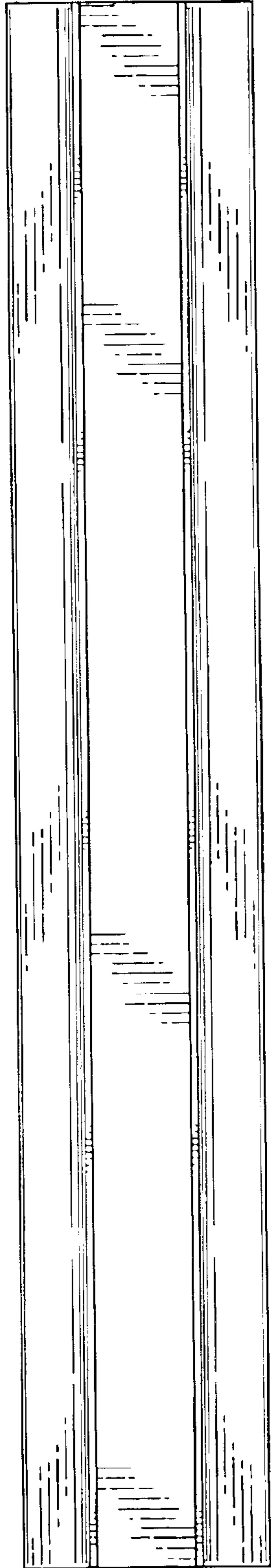


FIG. 6

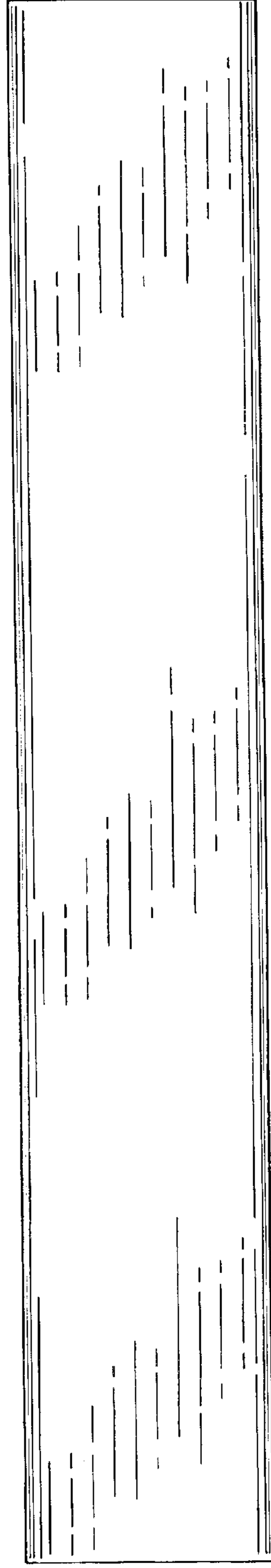


FIG. 7