

US00D497425S1

(12) **United States Design Patent** (10) **Patent No.:** **US D497,425 S**
McQuaid (45) **Date of Patent:** **** Oct. 19, 2004**

(54) **BIOLOGICAL FLUID COLLECTION DEVICE**

(76) Inventor: **Matthew McQuaid**, 2031 Asha St.,
Lakeport, CA (US) 95453

(**) Term: **14 Years**

(21) Appl. No.: **29/185,099**

(22) Filed: **Jun. 23, 2003**

(51) **LOC (7) Cl.** **24-04**

(52) **U.S. Cl.** **D24/122; D24/216**

(58) **Field of Search** D24/122, 121,
D24/216, 128, 224; 4/144.1, 144.2, 144.3;
604/319, 317, 318; 600/580, 573, 579;
422/104, 102, 58, 68.1; D7/620

(56) **References Cited**

U.S. PATENT DOCUMENTS

1,657,975 A	1/1928	Shiells	
1,928,170 A	9/1933	Dwork	
2,591,208 A	4/1952	Seymour et al.	
2,628,054 A	* 2/1953	Fazakerley D7/620
3,161,891 A	12/1964	Bauman	
3,172,130 A	3/1965	Lange	
3,177,500 A	4/1965	Bauman	
3,335,714 A	* 8/1967	Giesy 4/144.3
D208,609 S	9/1967	Garland	
3,473,172 A	* 10/1969	Friedman et al. 4/144.3
3,512,185 A	5/1970	Ellis	
3,575,225 A	* 4/1971	Muheim 4/144.3
3,625,654 A	* 12/1971	Van Duyne 422/102
3,711,871 A	1/1973	Sherin	
3,727,244 A	* 4/1973	Collins 4/144.3
D227,413 S	6/1973	Sherin	
3,878,571 A	4/1975	Seeley	
3,927,428 A	* 12/1975	Geddes 4/144.3
D249,997 S	10/1978	Lindquist	
4,176,412 A	12/1979	Peterson	
D258,311 S	2/1981	Peterson	
4,270,539 A	8/1981	Michaud	
D267,118 S	11/1982	Burnett	
D269,378 S	6/1983	Work	
4,409,989 A	10/1983	Larribas	

4,496,355 A	1/1985	Hall et al.	
4,559,649 A	12/1985	Burnett	
4,568,339 A	2/1986	Steer	
4,832,046 A	5/1989	Parrish	
4,904,248 A	2/1990	Vaillancourt	
4,911,698 A	3/1990	Wapner	
4,936,838 A	6/1990	Cross et al.	
D326,519 S	5/1992	Drysdale	
5,119,830 A	* 6/1992	Davis D24/122
5,129,892 A	7/1992	McCarthy	
5,147,342 A	* 9/1992	Kane et al. D24/128
D341,421 S	11/1993	Jones	
5,295,983 A	3/1994	Kubo	

(List continued on next page.)

Primary Examiner—Ian Simmons
(74) *Attorney, Agent, or Firm*—Squire, Sanders &
Dempsey, L.L.P.; Aaron Winger

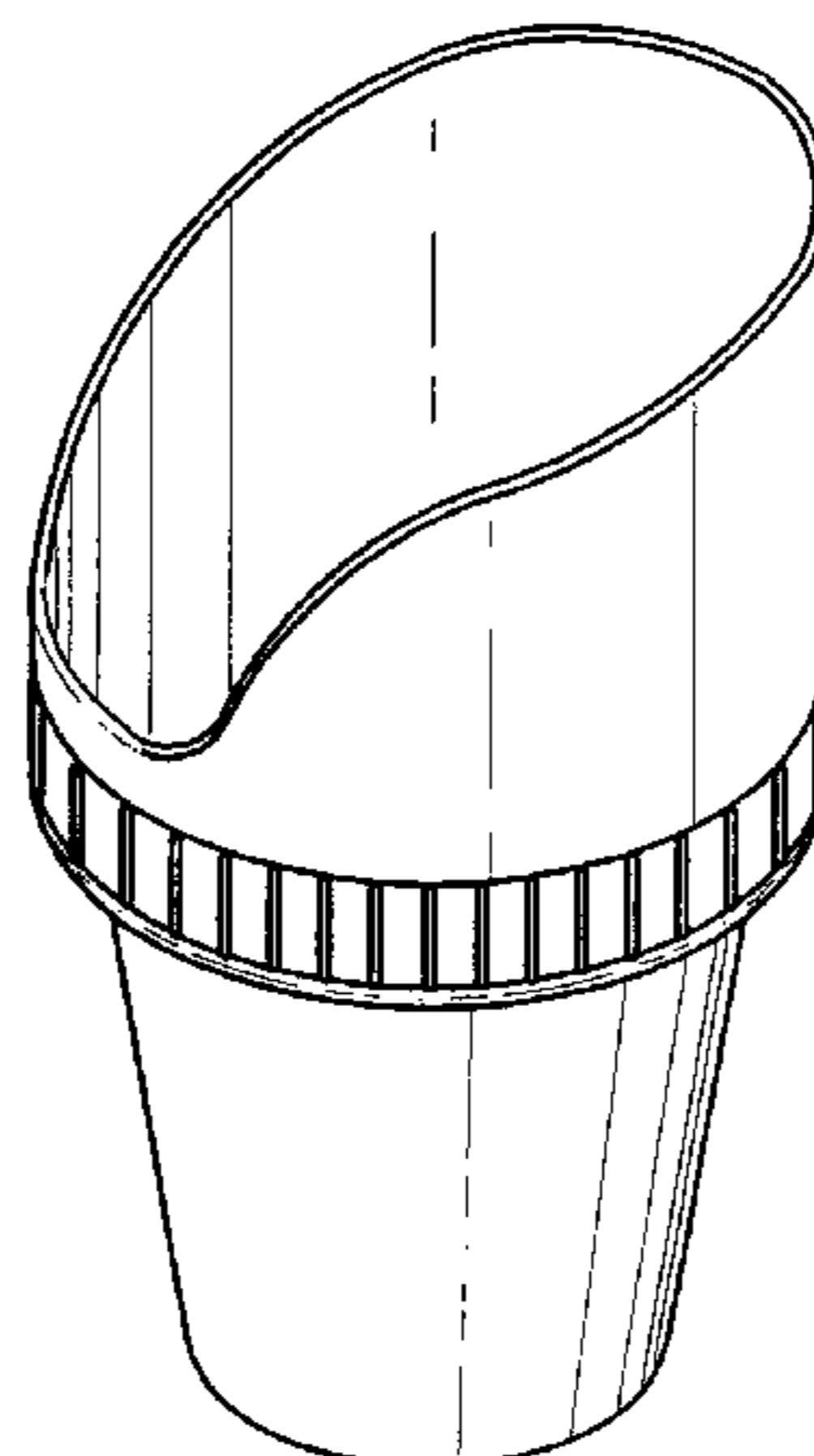
(57) **CLAIM**

The ornamental design for a biological fluid collection device, as shown and described.

DESCRIPTION

FIG. 1 is a perspective view of a biological fluid collection device showing my new design;
 FIG. 2 is a right side elevational view thereof, shown in separated condition;
 FIG. 3 is a front elevational view thereof, as seen in FIG. 1;
 FIG. 4 is a rear elevational view thereof;
 FIG. 5 is a top plan view thereof;
 FIG. 6 is a left side elevational view thereof;
 FIG. 7 is a right side elevational view thereof;
 FIG. 8 is a bottom plan view thereof;
 FIG. 9 is a perspective view of the funnel portion of the biological fluid collection device;
 FIG. 10 is a front elevational view thereof;
 FIG. 11 is a rear elevational view thereof;
 FIG. 12 is a right side elevational view thereof;
 FIG. 13 is a top plan view thereof; and,
 FIG. 14 is a bottom plan view thereof.

1 Claim, 4 Drawing Sheets



US D497,425 S

Page 2

U.S. PATENT DOCUMENTS

5,422,076 A	6/1995	Jones					
5,445,292 A *	8/1995	Slomski et al.	4/144.1				
D371,601 S	7/1996	Markles					
D406,644 S	3/1999	Keppler					
5,894,608 A	4/1999	Birbara					
D409,747 S	5/1999	Aiken					
				5,920,916 A	7/1999	Norton	
				D441,075 S	4/2001	Nara	
				6,299,606 B1	10/2001	Young	
				6,493,884 B1	12/2002	Muller et al.	
				6,651,259 B1	11/2003	Hartman et al.	
				2004/0003457 A1 *	1/2004	Renda	4/144.1

* cited by examiner

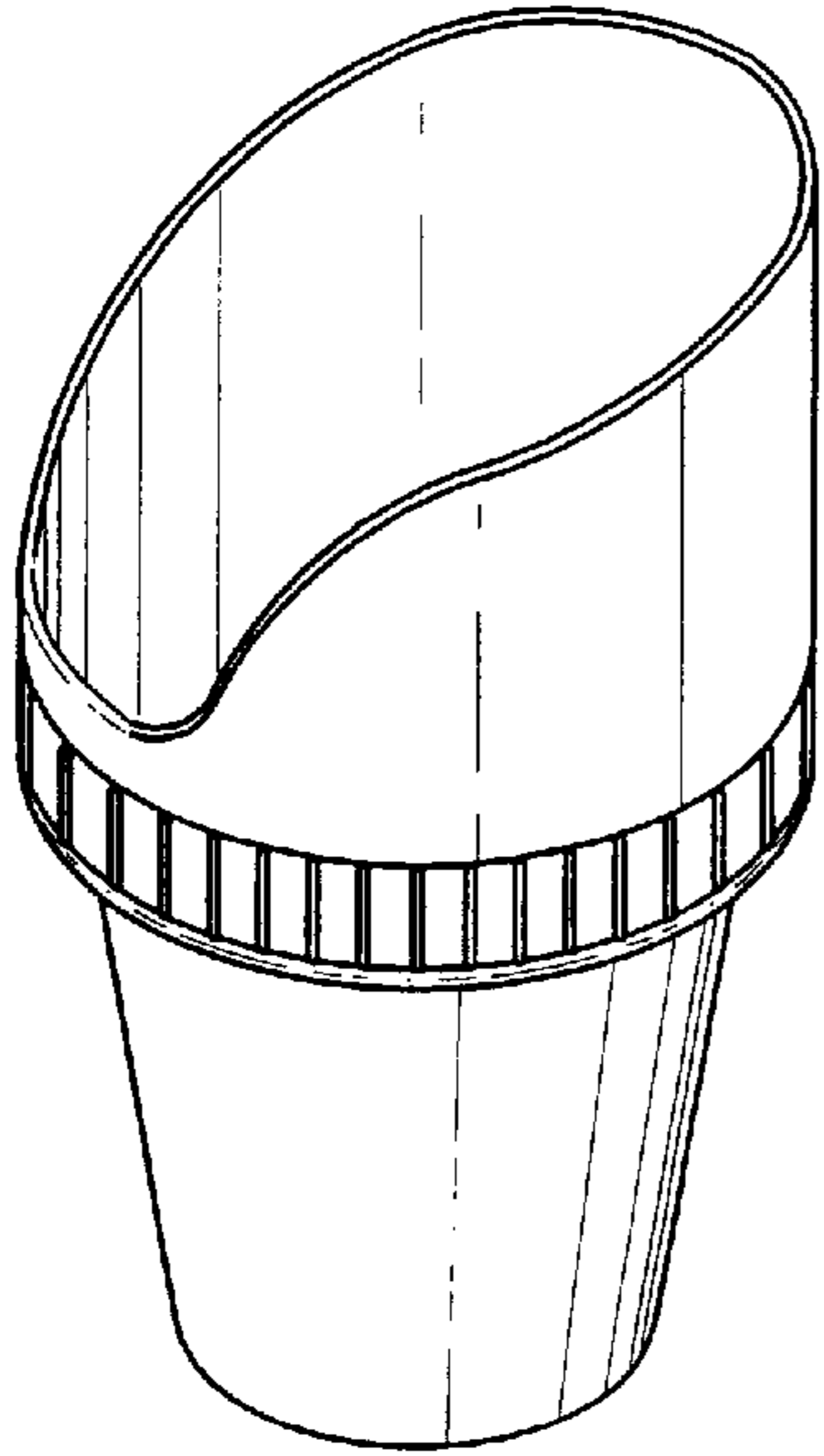


FIG. 1

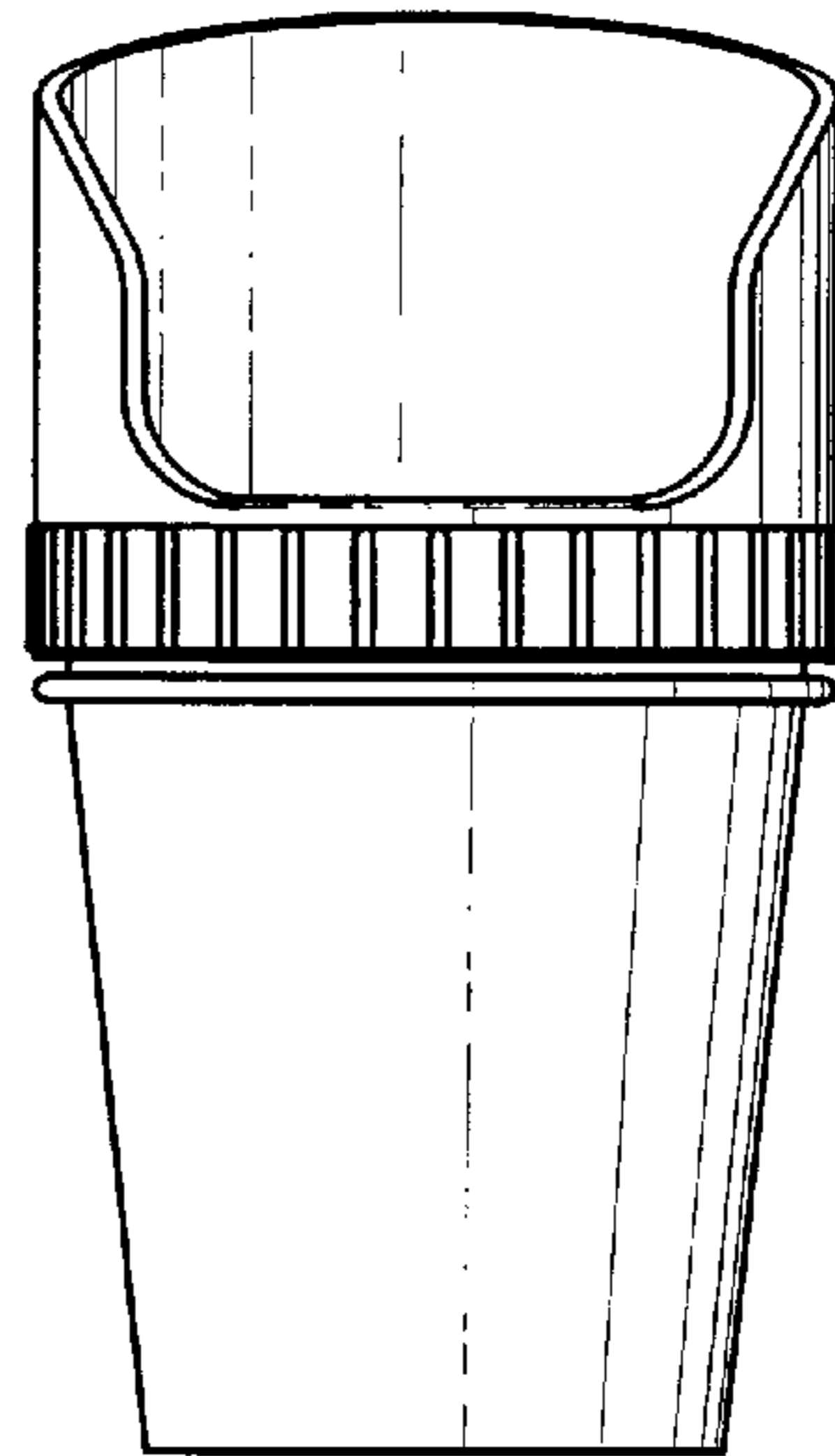


FIG. 3

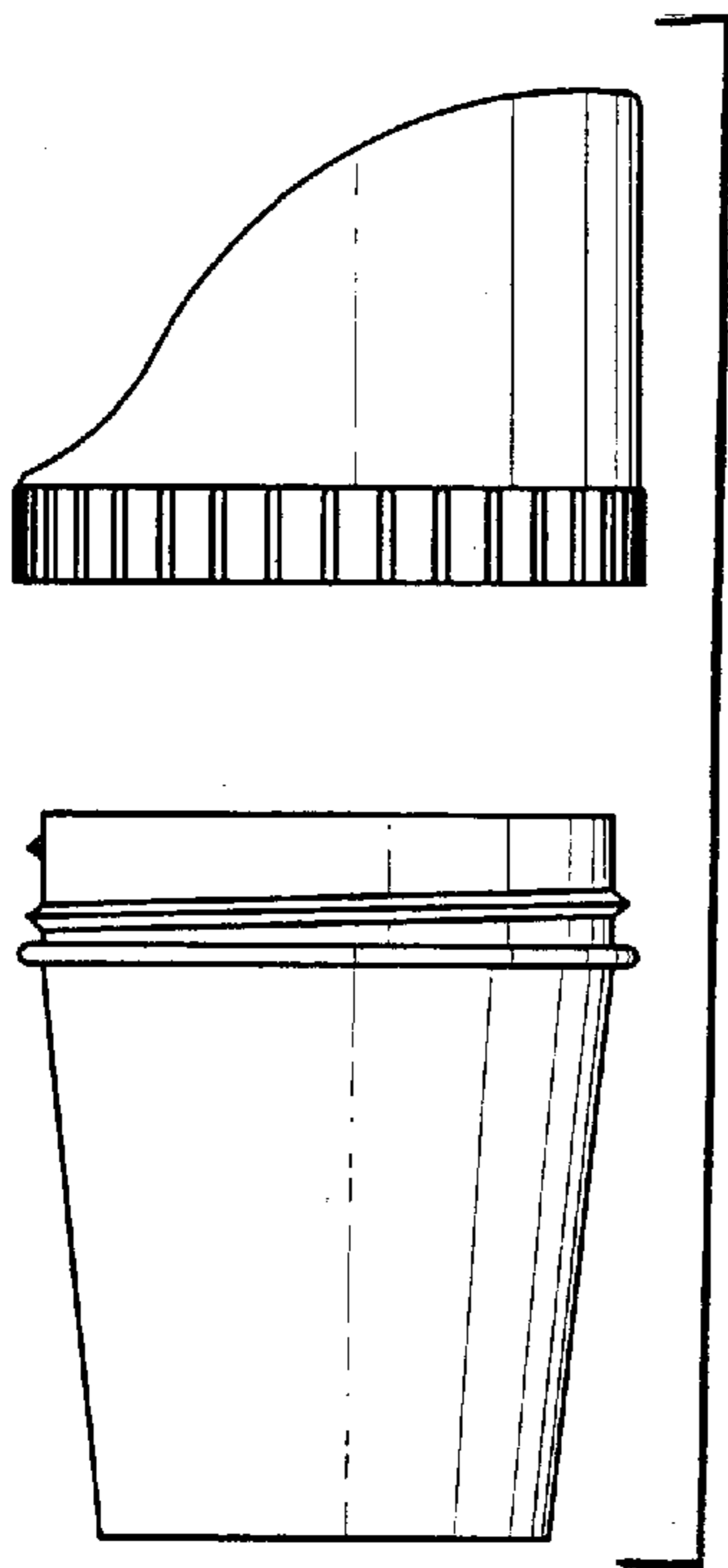


FIG. 2

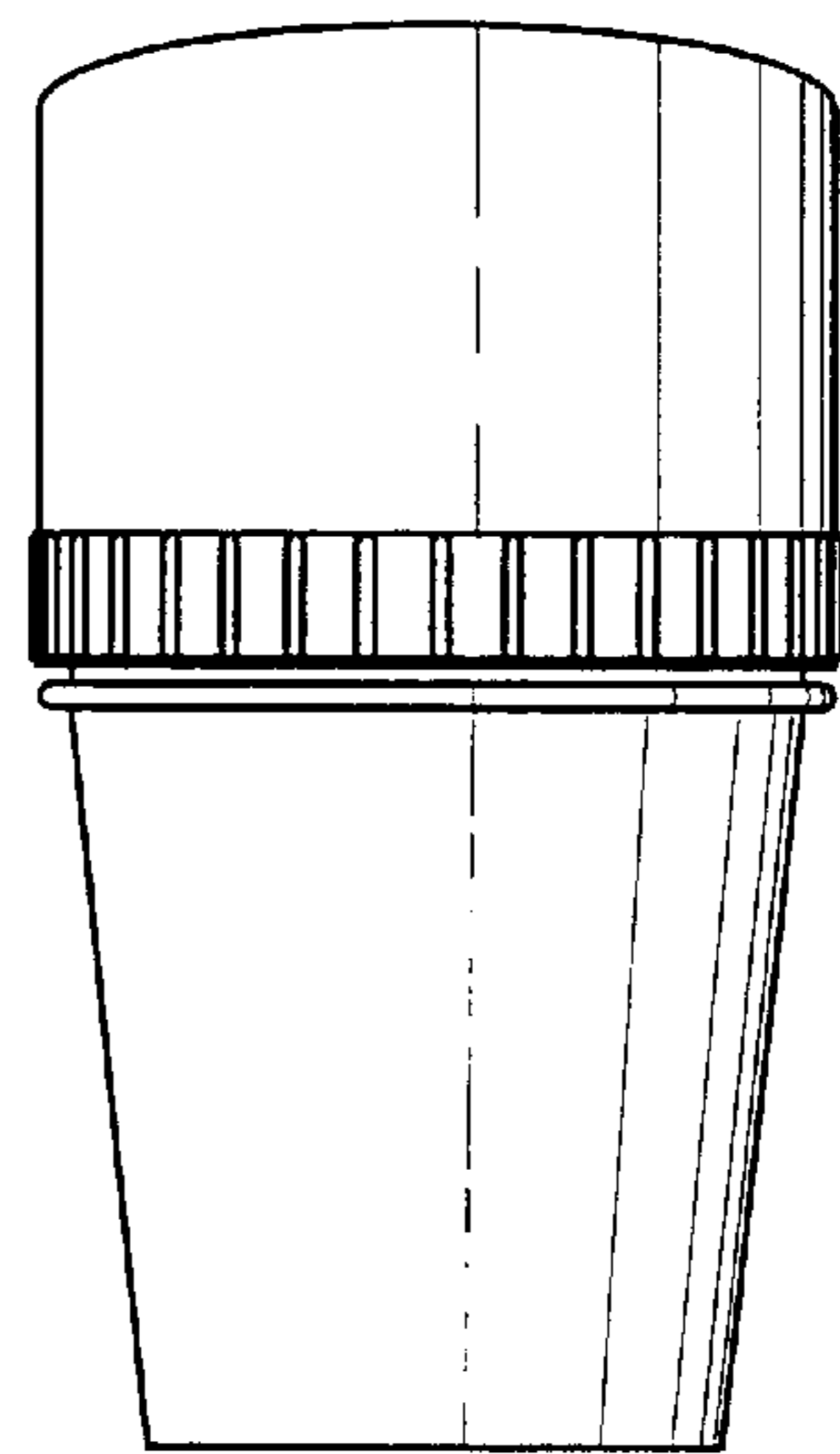


FIG. 4

FIG. 5

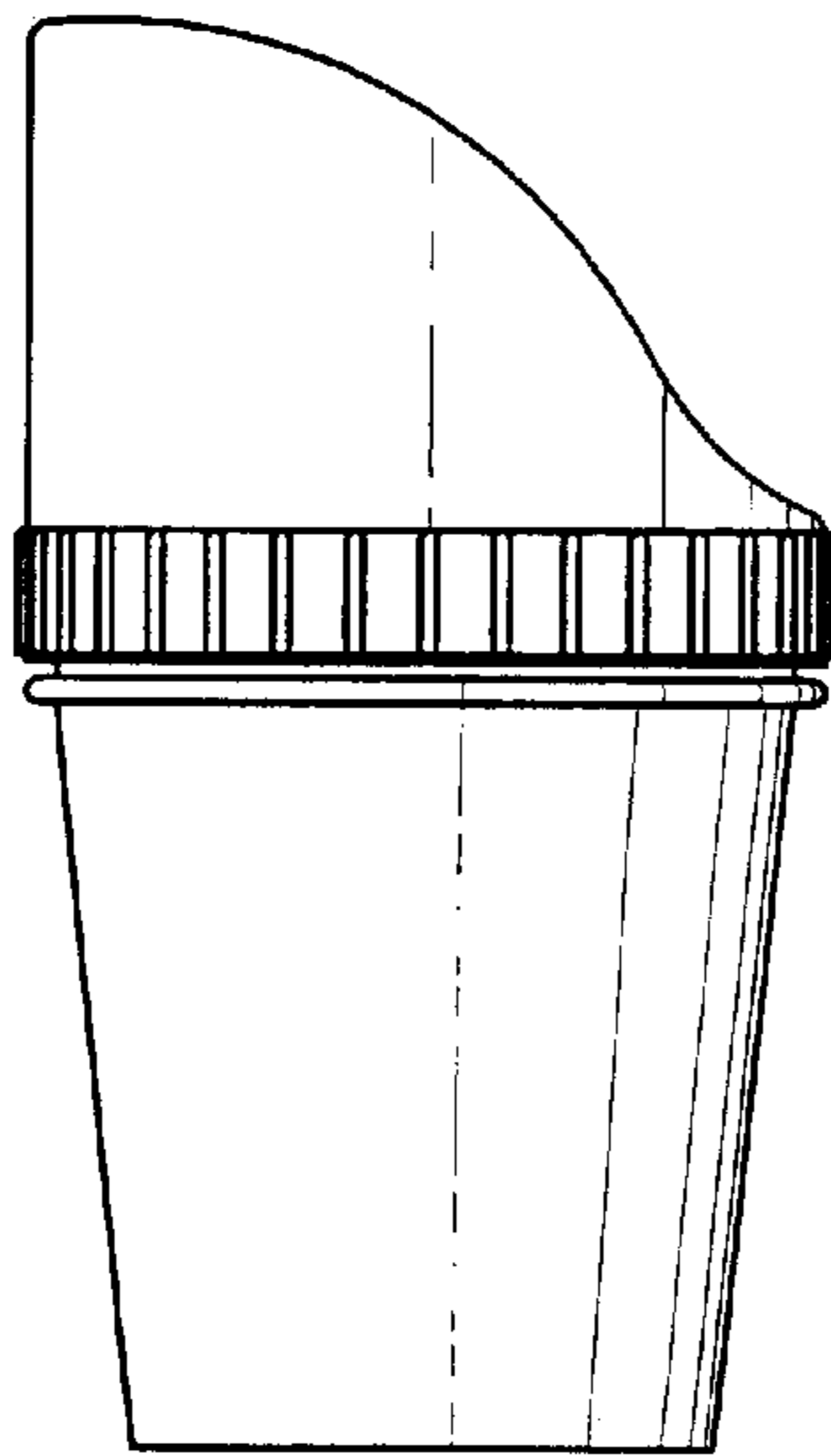
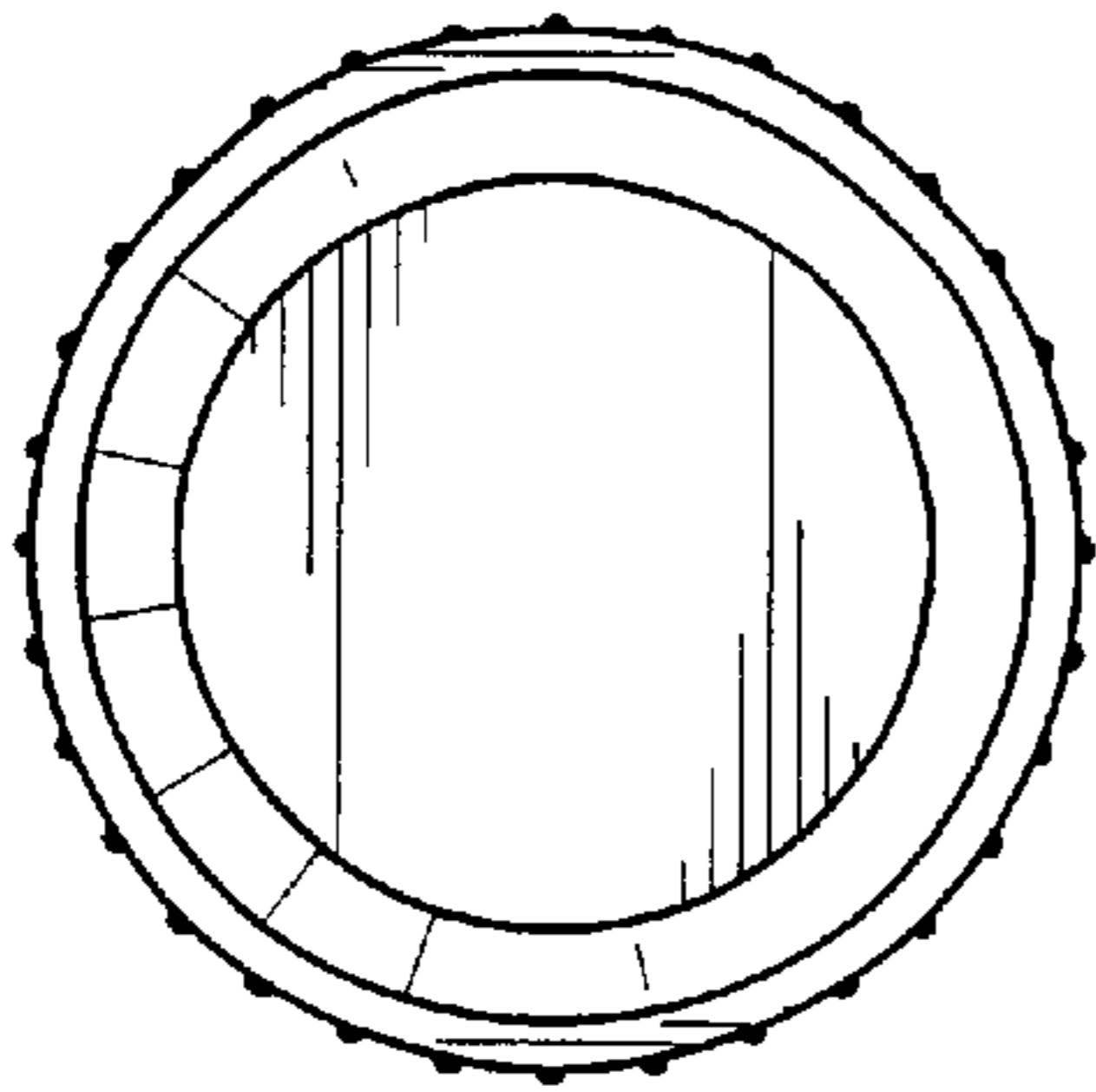


FIG. 6

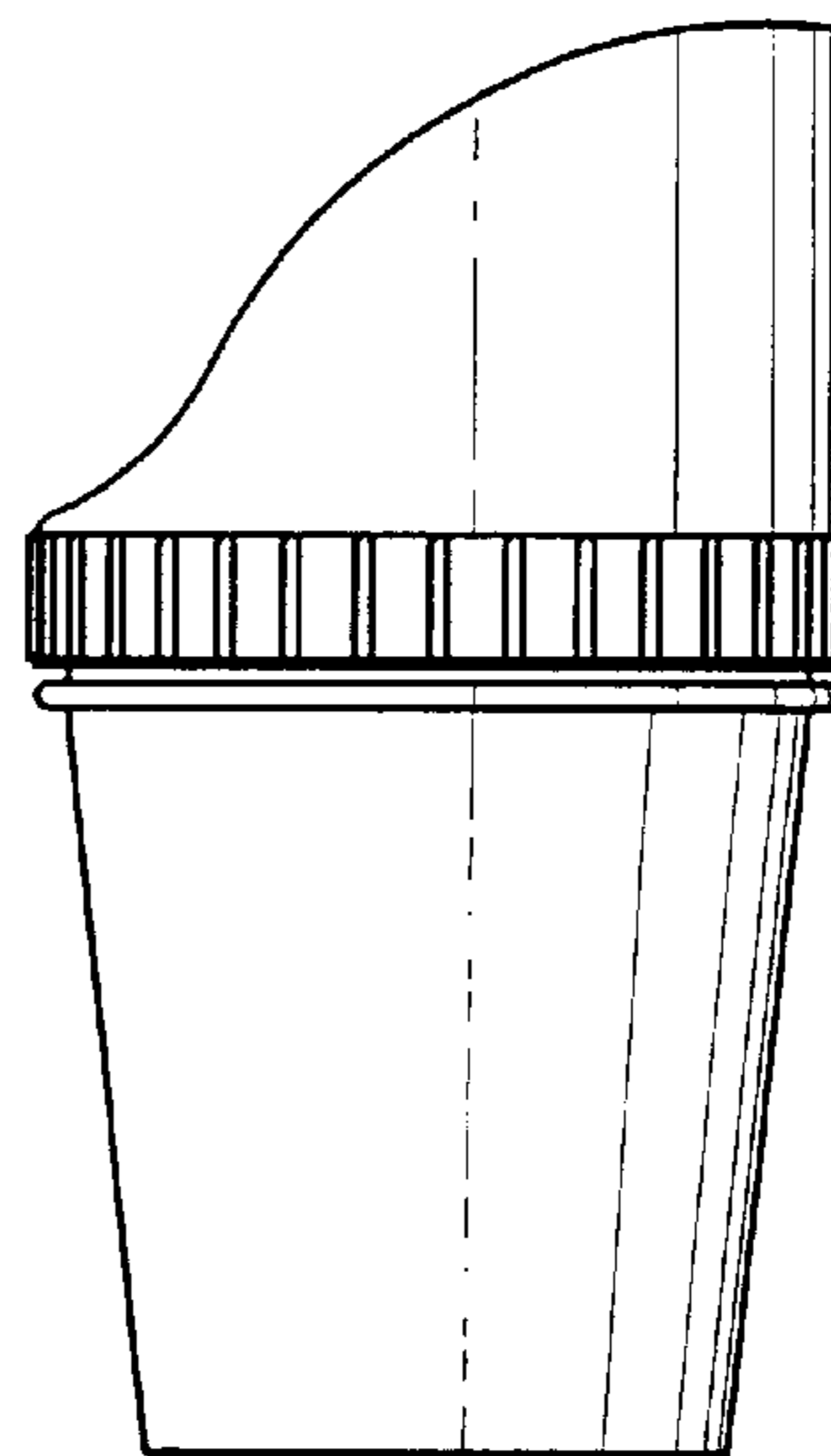


FIG. 7

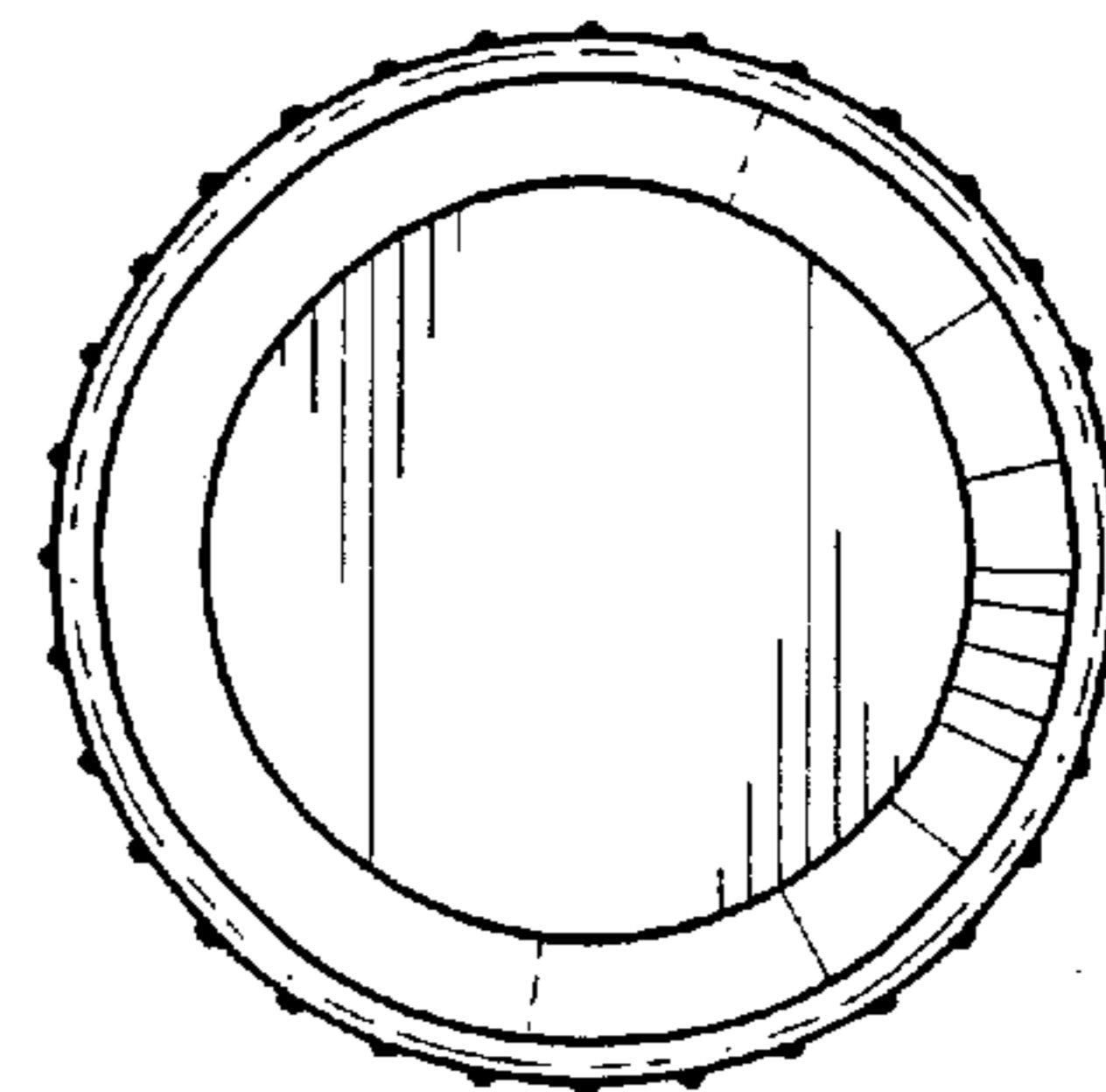


FIG. 8

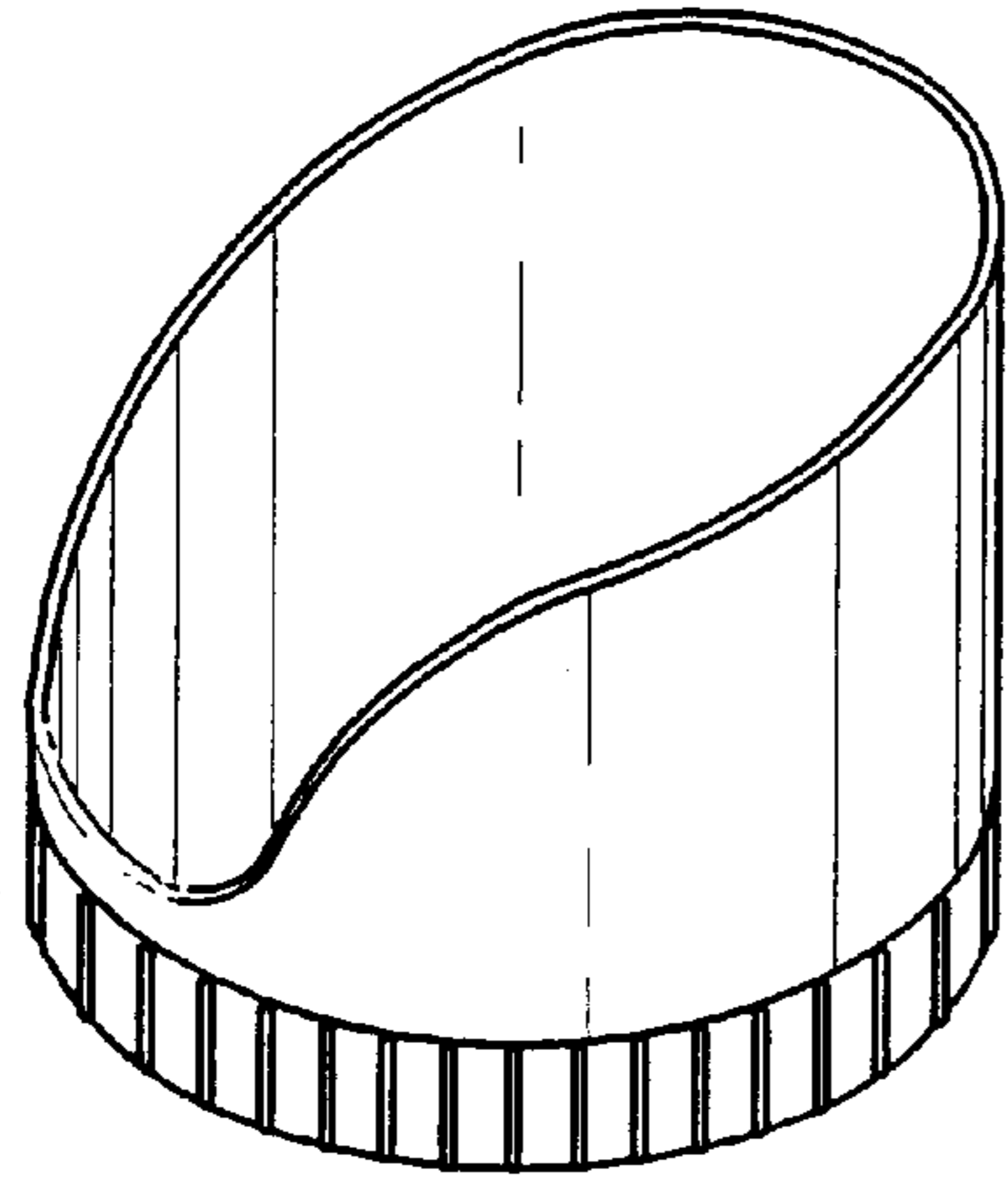


FIG. 9

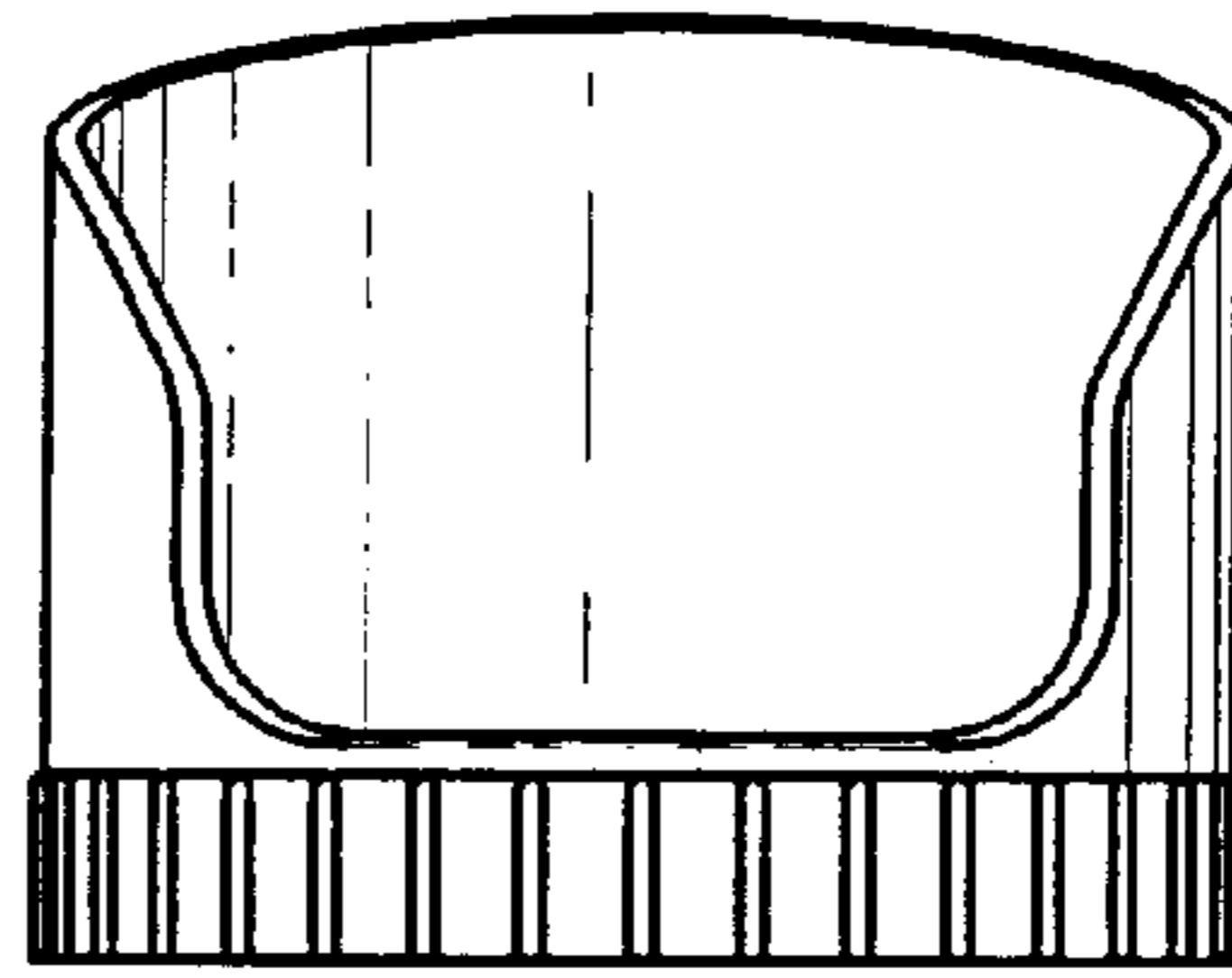


FIG. 10

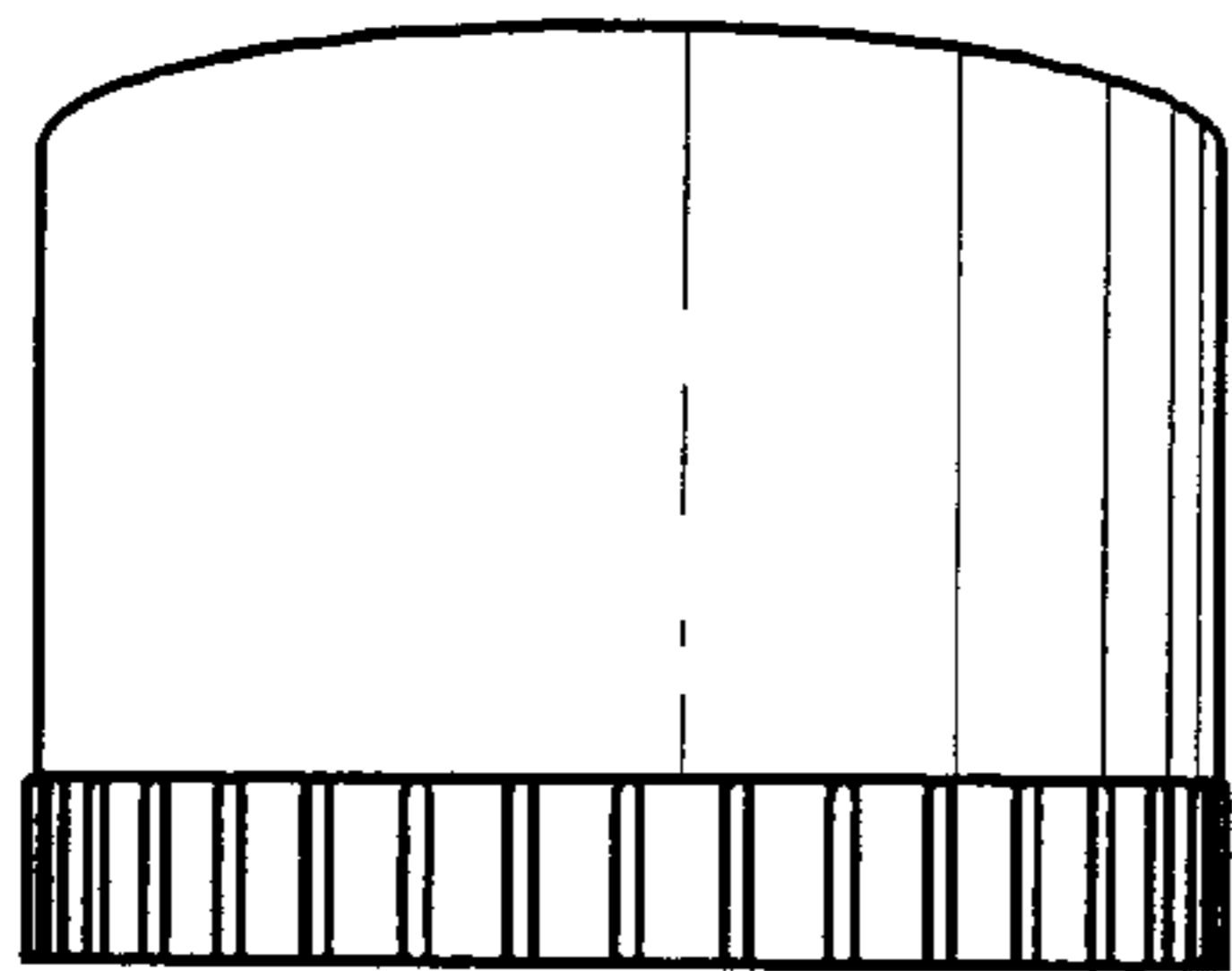


FIG. 11

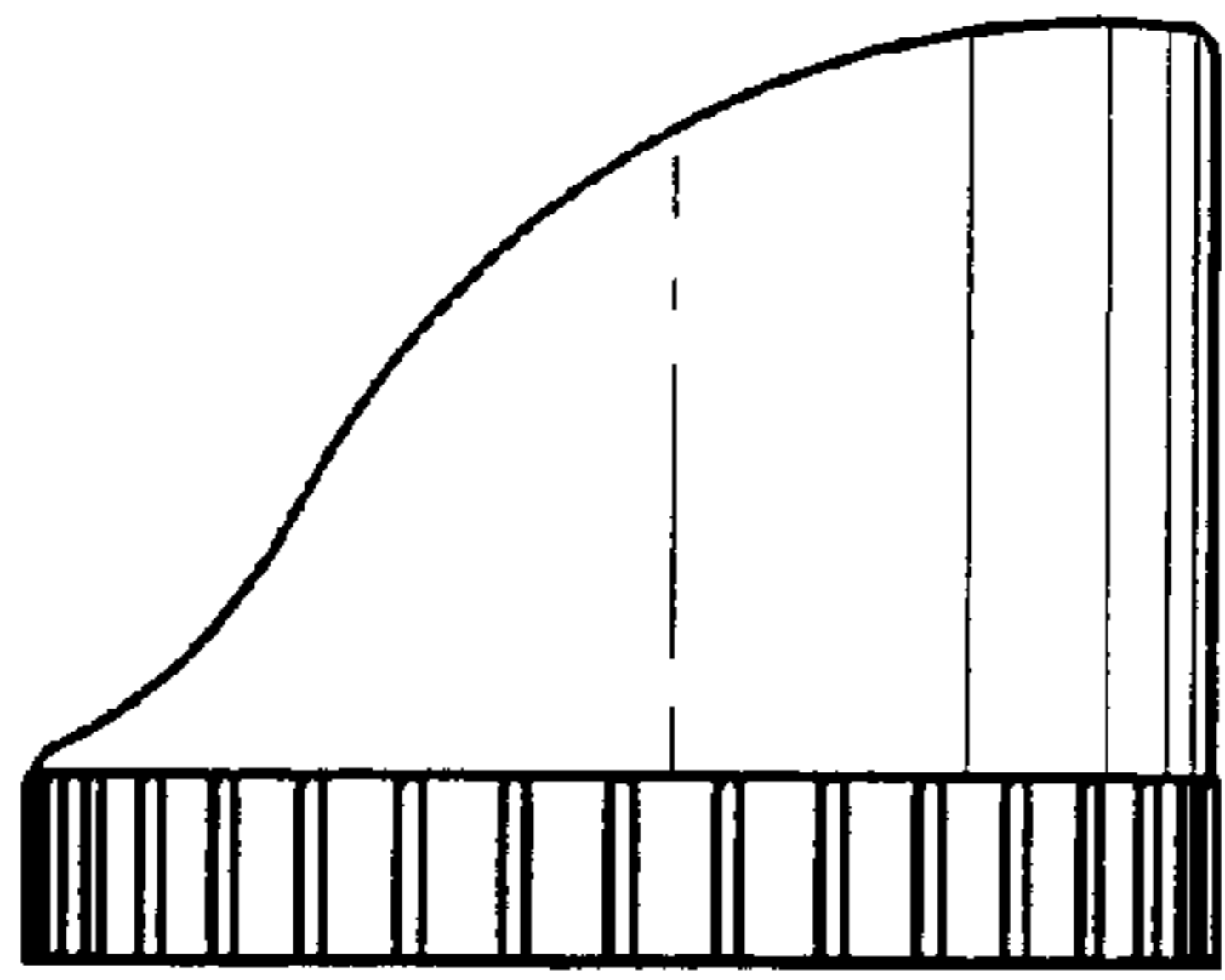


FIG. 12

FIG. 13

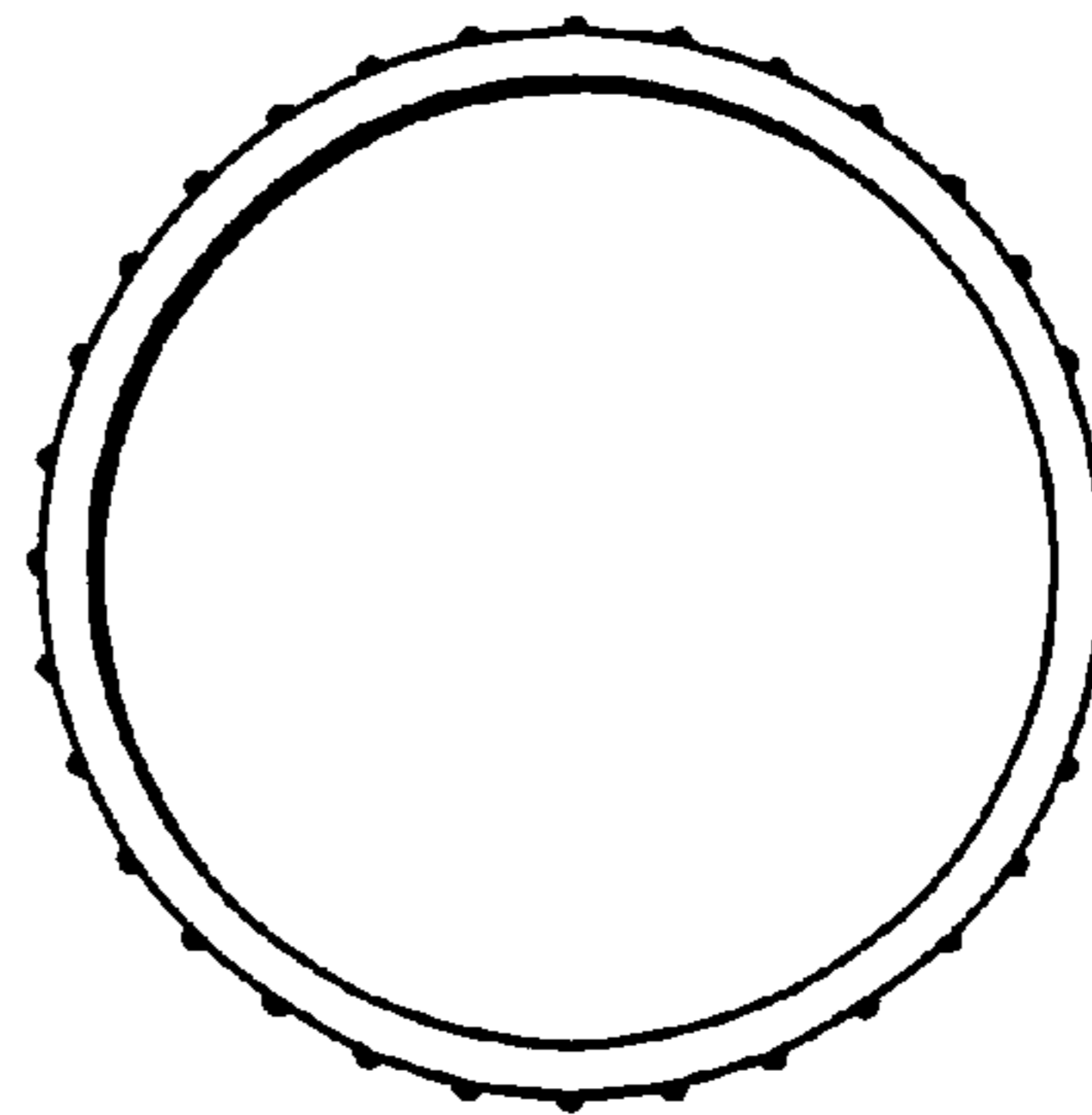


FIG. 14

