



US00D497420S1

(12) **United States Design Patent**  
**Grey**

(10) **Patent No.:** **US D497,420 S**

(45) **Date of Patent:** **\*\* Oct. 19, 2004**

(54) **AIR CONDITIONER**

(76) **Inventor:** **Nicholas Gerald Grey, 7 Laxton Close, Crowle, Worcestershire WR7 4BH (GB)**

(\*\*) **Term:** **14 Years**

(21) **Appl. No.:** **29/182,618**

(22) **Filed:** **May 29, 2003**

(30) **Foreign Application Priority Data**

Dec. 21, 2002 (GB) ..... 3009637

(51) **LOC (7) Cl.** ..... **23-04**

(52) **U.S. Cl.** ..... **D23/351**

(58) **Field of Search** ..... D23/351-354,  
D23/333; 65/259.1, 259.4, 262-63, 304,  
324.1, DIG. 16; 312/236; 454/201-4

(56) **References Cited**

**U.S. PATENT DOCUMENTS**

- D307,631 S \* 5/1990 Shin ..... D23/353
- D416,993 S \* 11/1999 Dong et al. .... D23/333
- D454,389 S \* 3/2002 Kishita et al. .... D23/353
- D465,017 S \* 10/2002 Choi ..... D23/353

- D465,563 S \* 11/2002 Lee ..... D23/353
- D465,564 S \* 11/2002 Yamagami ..... D23/353

\* cited by examiner

*Primary Examiner*—Brian N. Vinson  
(74) *Attorney, Agent, or Firm*—Ira S. Dorman

(57) **CLAIM**

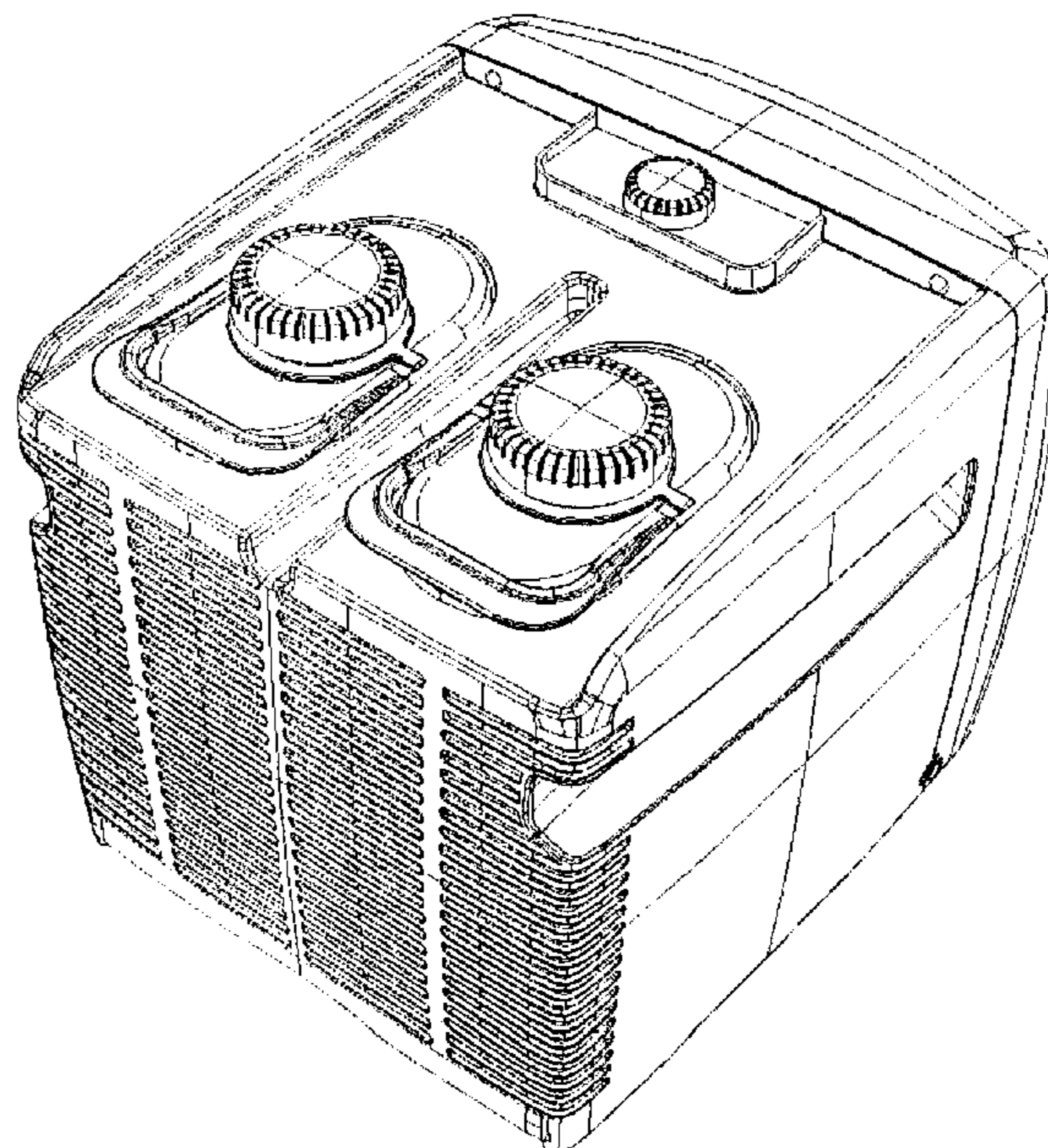
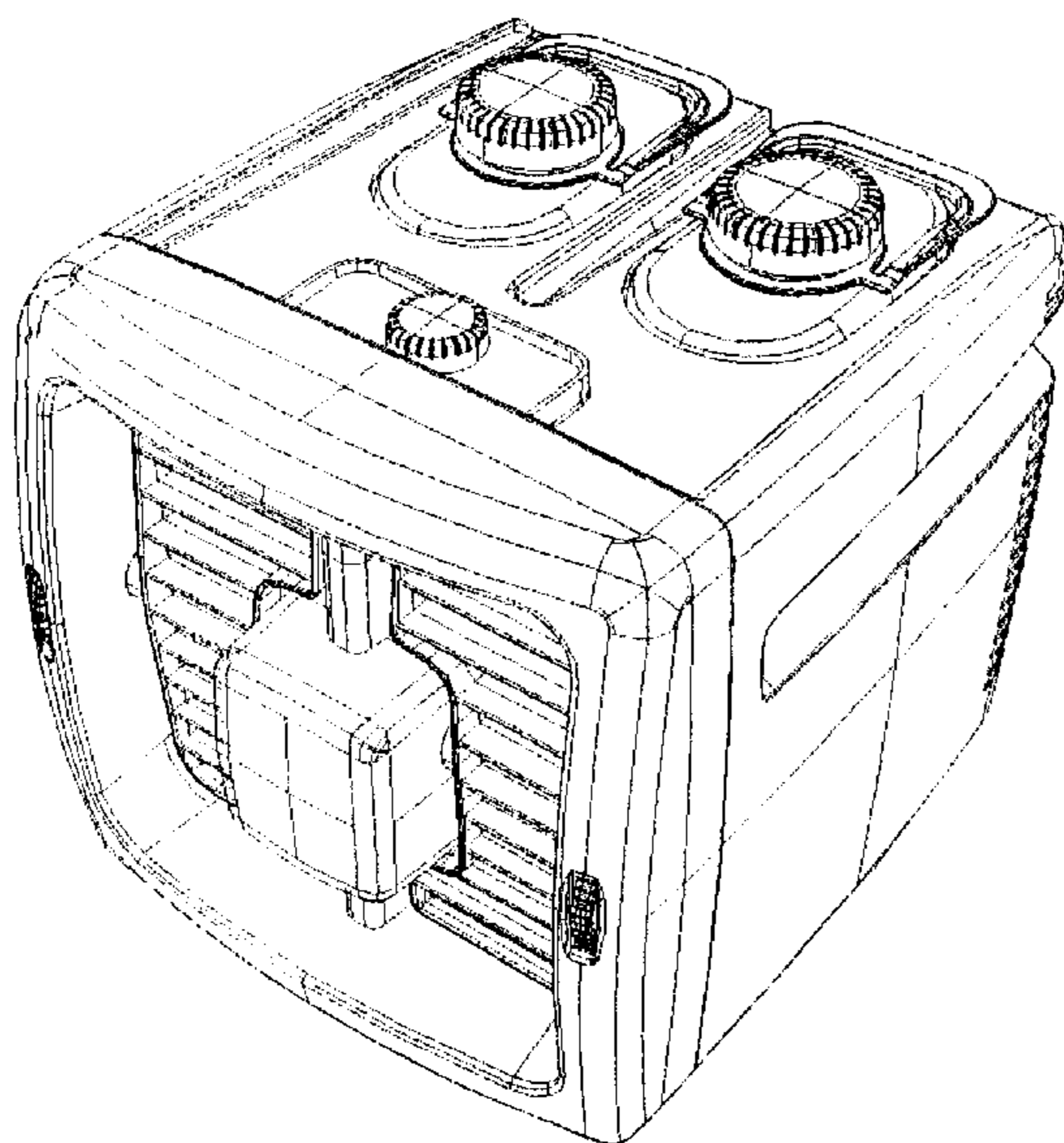
The ornamental design for an air conditioner, as shown.

**DESCRIPTION**

FIG. 1 is a front view of an air conditioner showing my new design;  
 FIG. 2 is a rear view thereof;  
 FIG. 3 is a top plan view thereof;  
 FIG. 4 is a side view, the opposite side being a mirror image thereof;  
 FIG. 5 is front perspective view thereof;  
 FIG. 6 is a rear perspective view thereof; and,  
 FIG. 7 is a bottom view thereof.

The broken-line disclosure of internal elements in the views is for illustrative purposes only and forms no part of the claimed design.

**1 Claim, 4 Drawing Sheets**



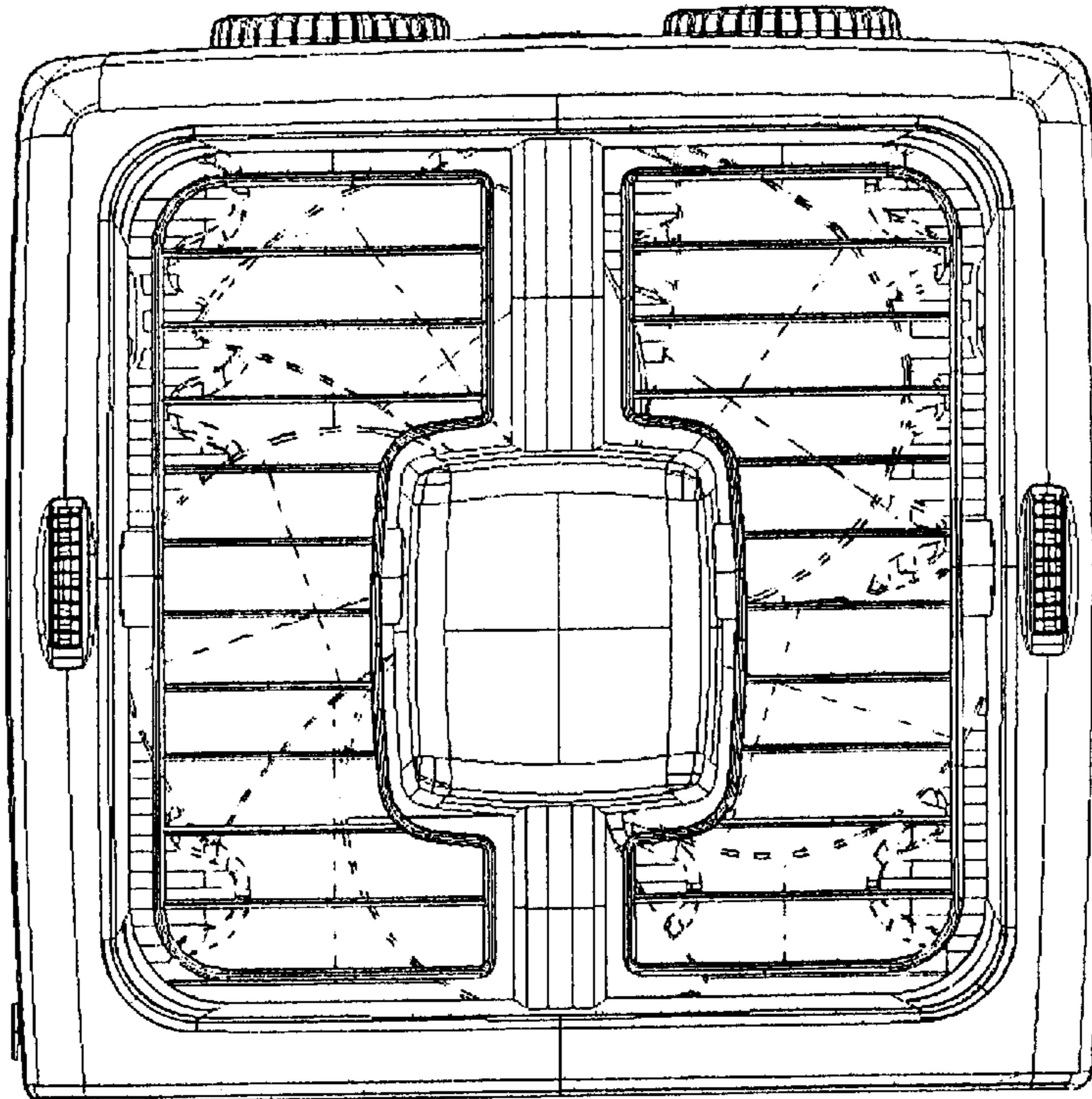


FIG. 1

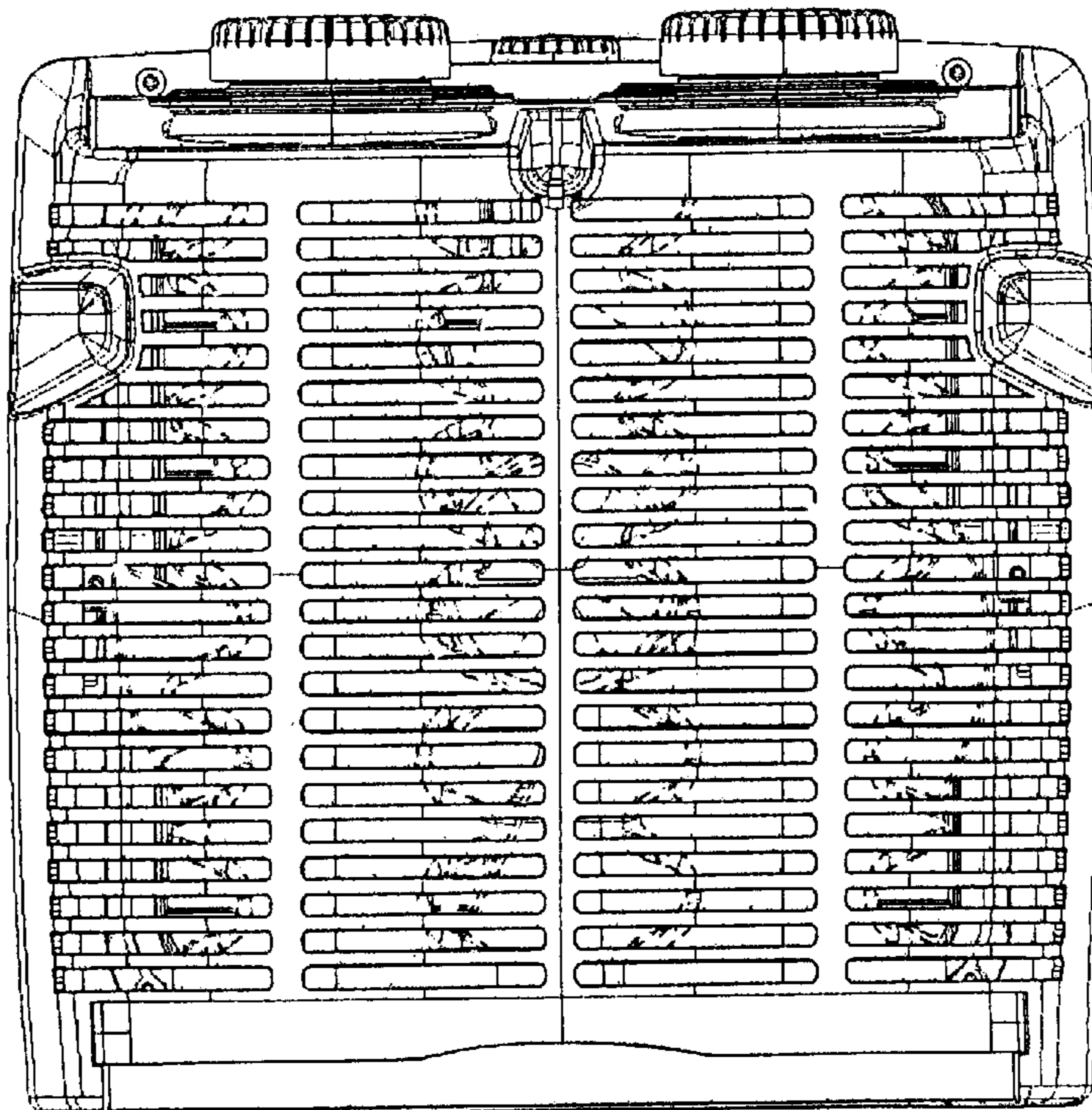


FIG. 2



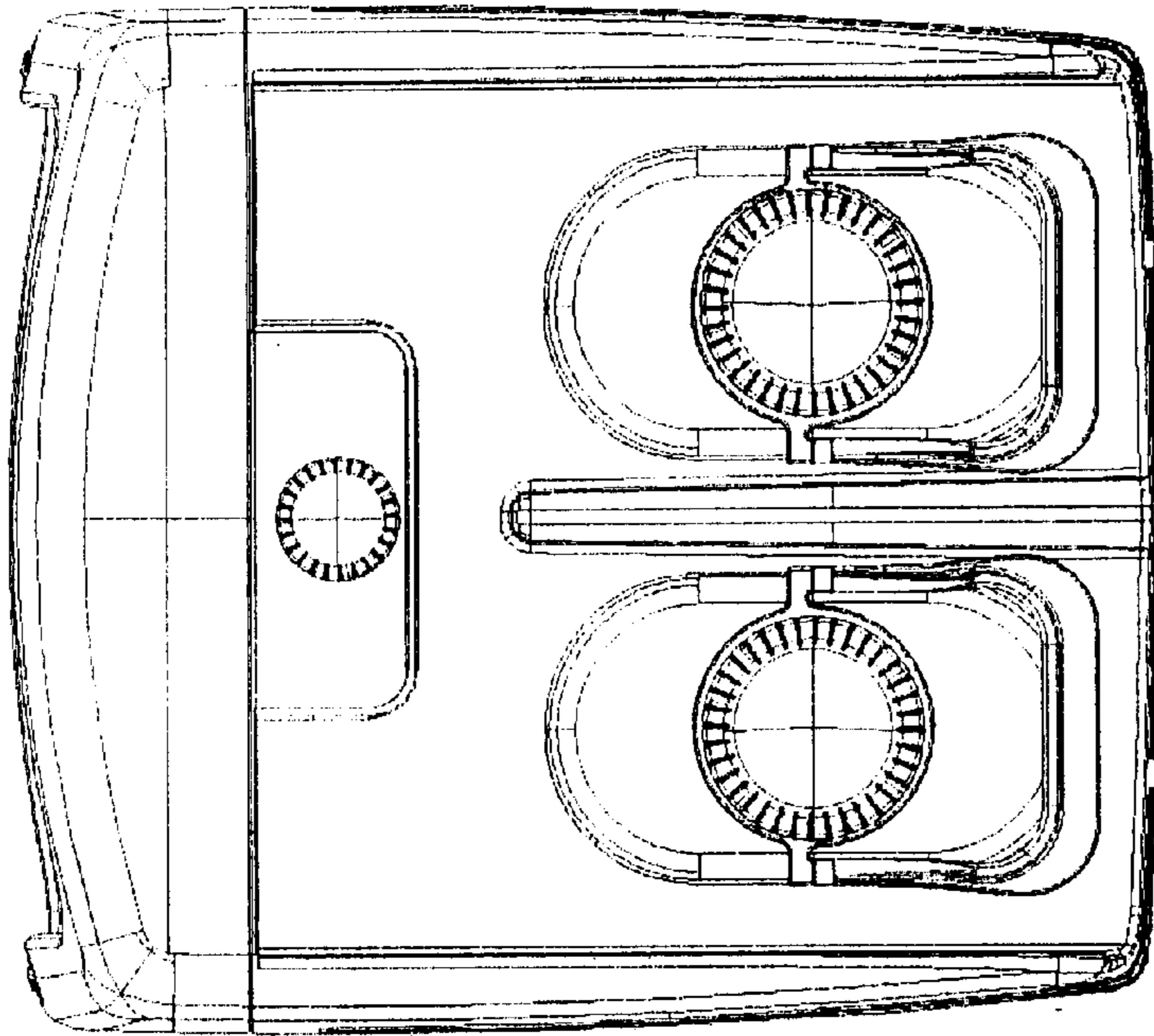


FIG. 3

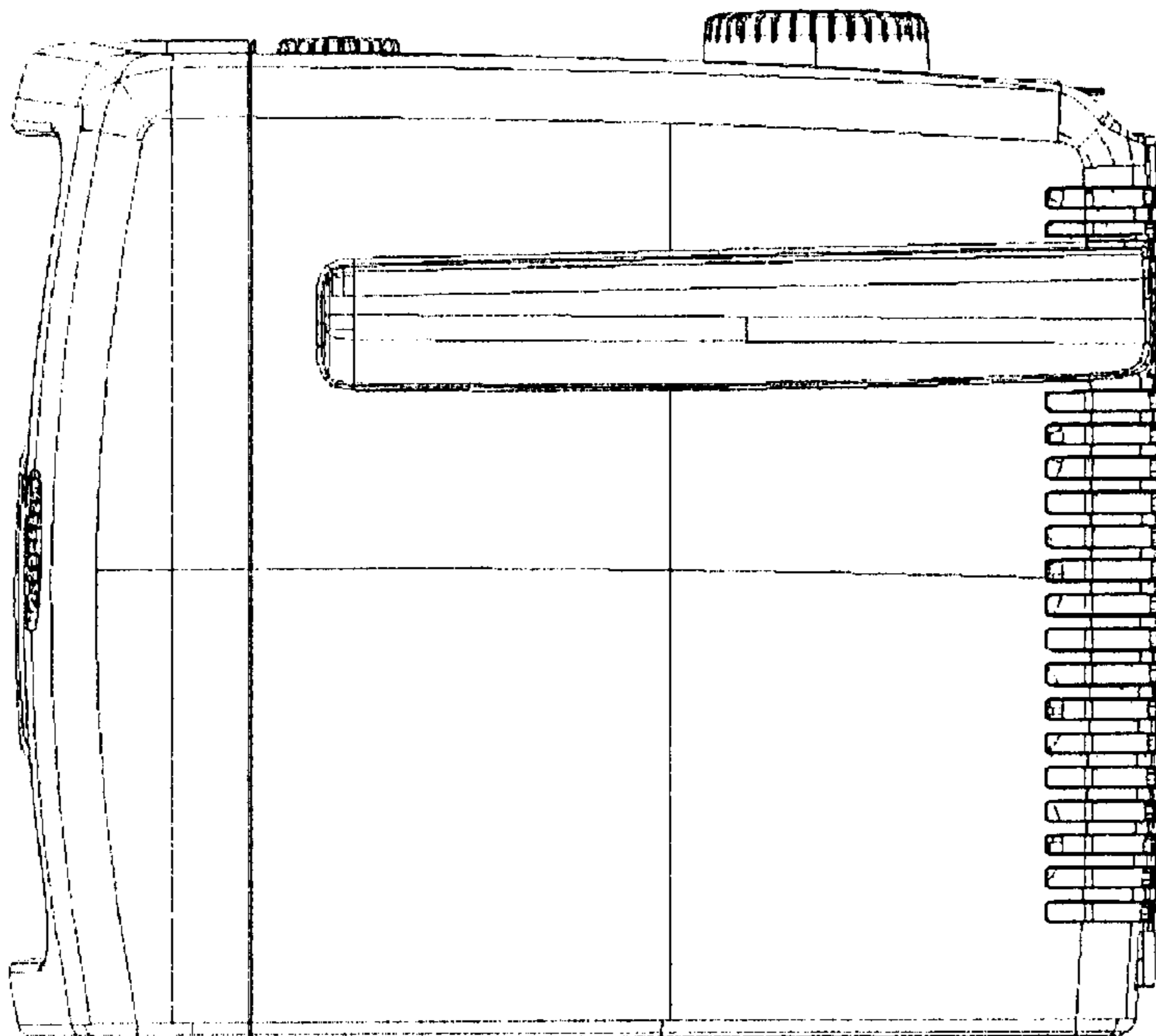


FIG. 4

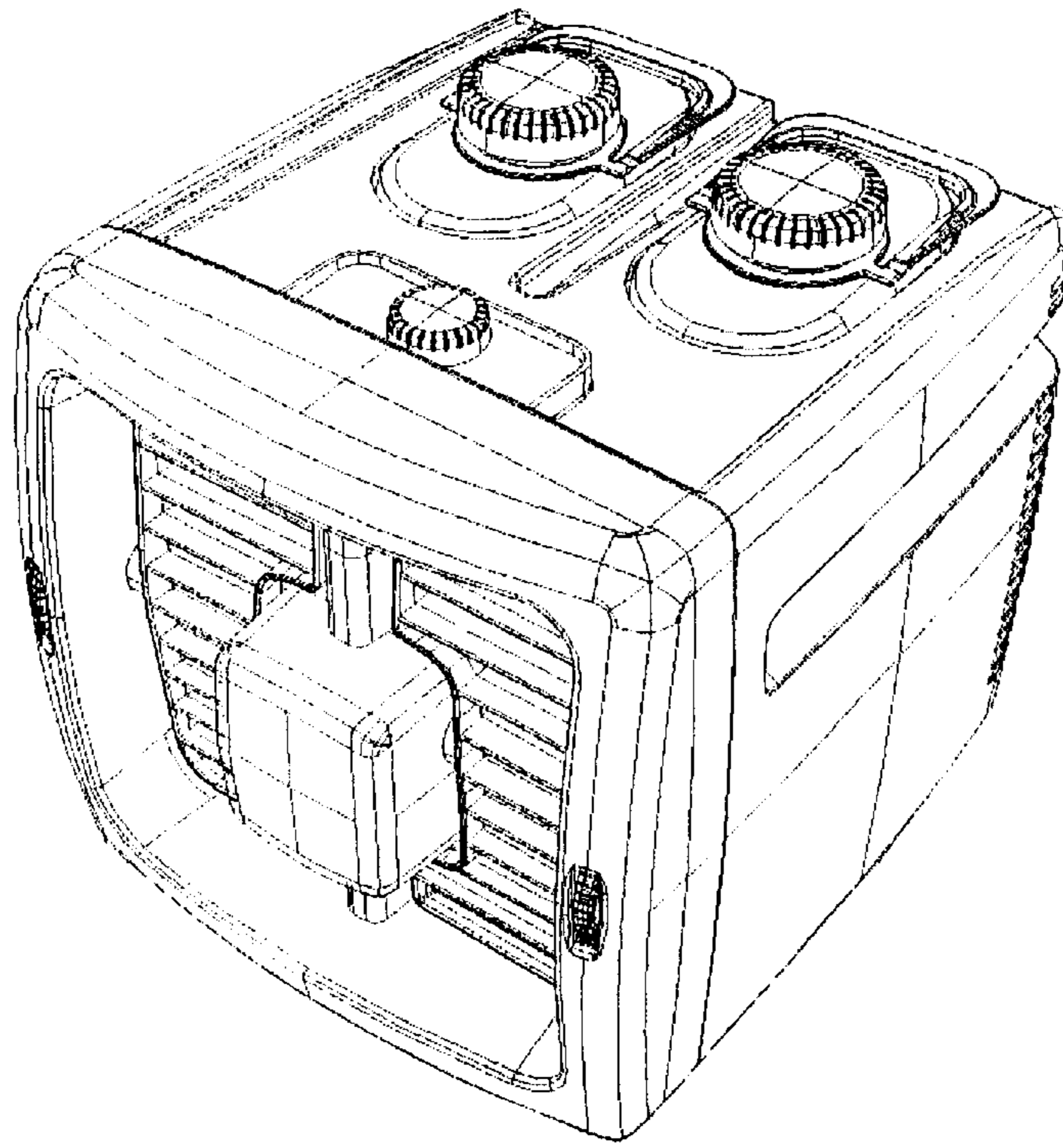


FIG. 5

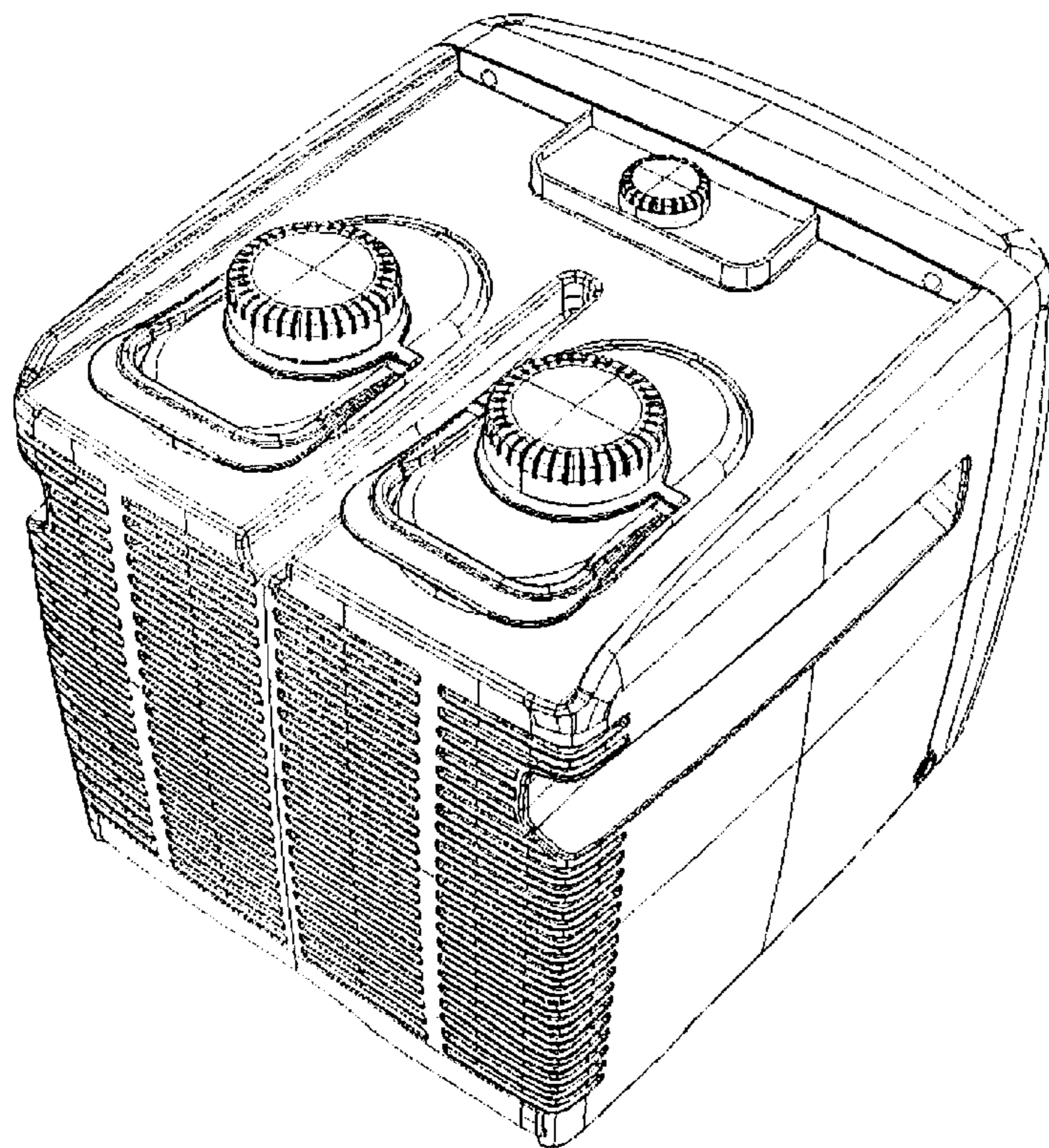


FIG. 6

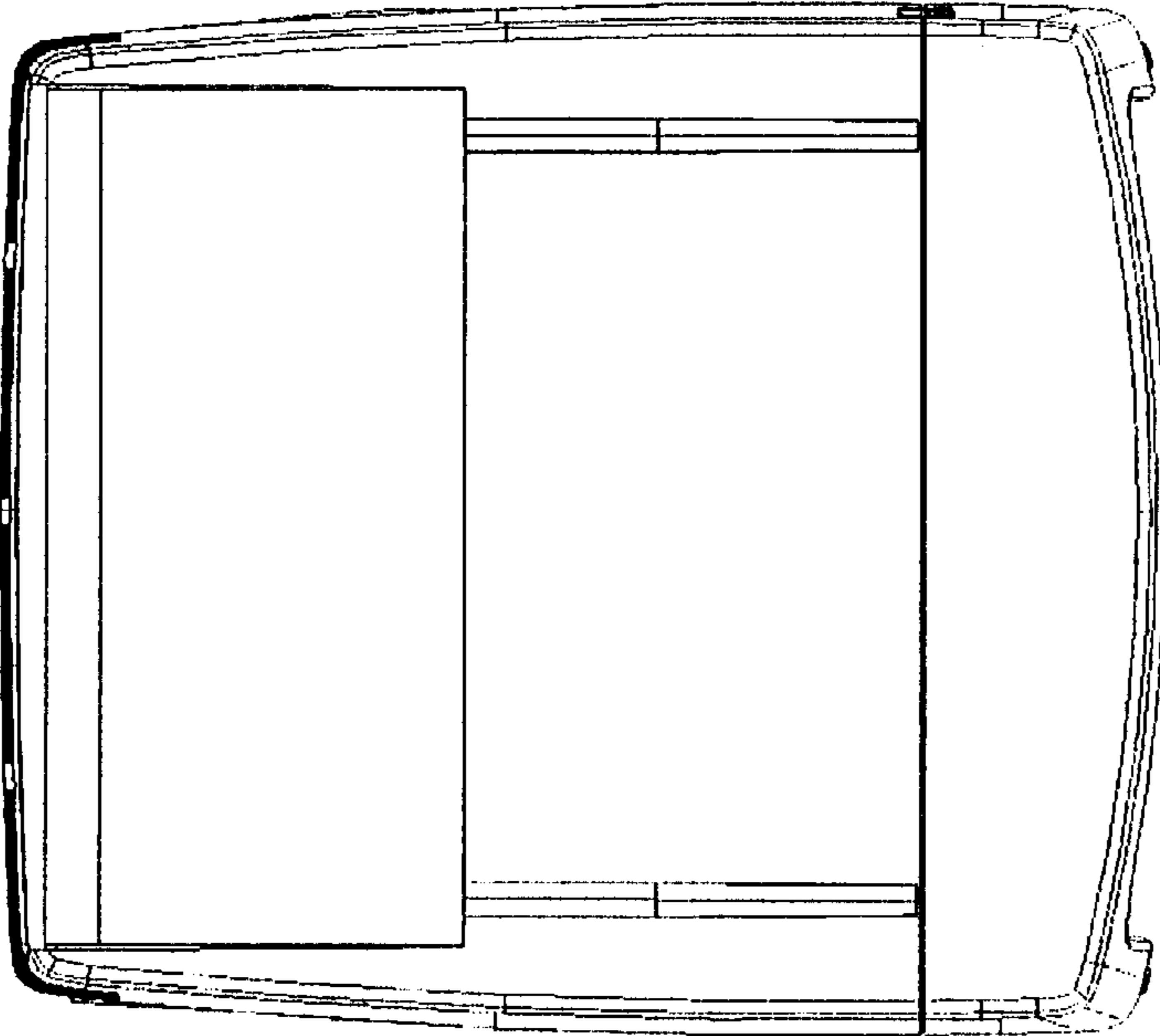


FIG. 7