

US00D497419S1

(12) **United States Design Patent**
Ekeroth

(10) **Patent No.:** **US D497,419 S**

(45) **Date of Patent:** **** Oct. 19, 2004**

(54) **RECESSED SHOWER RECEPTACLE**

6,132,227 A 10/2000 Boteler et al. 439/142
6,179,634 B1 1/2001 Hull et al. 439/142
D449,581 S 10/2001 Bosatelli D13/146

(75) Inventor: **Vagn Ekeroth**, Gustafsberg (SE)

(73) Assignee: **Scandvik, Inc.**, Vero Beach, FL (US)

(**) Term: **14 Years**

(21) Appl. No.: **29/155,151**

(22) Filed: **Feb. 4, 2002**

(51) **LOC (7) Cl.** **23-02**

(52) **U.S. Cl.** **D23/304**

(58) **Field of Search** D23/223, 228,
D23/275, 283, 304; 4/567-569, 596-597,
601, 605, 615; 220/3.8, 3.9, 23.83, 87.2;
239/451; 439/536, 135

FOREIGN PATENT DOCUMENTS

WO WO 03/046298 A2 3/2003

* cited by examiner

Primary Examiner—Louis S. Zarfes

Assistant Examiner—Robert A. Delehanty

(74) *Attorney, Agent, or Firm*—McAndrews, Held & Malloy, Ltd.

(57) **CLAIM**

The ornamental design for the recessed shower receptacle, as shown and described.

DESCRIPTION

FIG. 1 is a top, front and side perspective view of a recessed shower receptacle showing my new design showing the lid in an open position;

FIG. 2 is a top and side perspective view thereof;

FIG. 3 is a side and top perspective view thereof;

FIG. 4 is a top plan view thereof showing the lid in a closed position;

FIG. 5 is a side elevation view thereof, showing the lid in a closed position, the rear and side views being the same apart from the orientation of the tab and rear hinge;

FIG. 6 is a top plan view thereof showing the lid in an open position; and,

FIG. 7 is a bottom plan view thereof showing the lid in a closed position.

The broken line showing of a shower handle and panel portion to which the receptacle is mounted is for illustrative purposes only and forms no part of the claimed design.

(56) **References Cited**

U.S. PATENT DOCUMENTS

1,989,297 A	1/1935	Stant	220/24
2,628,868 A *	2/1953	Mitcham	239/451
3,966,073 A *	6/1976	Geisel	220/3.8
D289,545 S *	4/1987	Koch	D23/223
4,770,643 A *	9/1988	Castellani et al.	439/135
D312,442 S	11/1990	Whitley, II	D12/197
5,306,178 A *	4/1994	Huang	439/536
D360,612 S	7/1995	Whitley, II	D12/317
D369,335 S	4/1996	Benningfield	D12/197
5,571,023 A	11/1996	Anthony	439/142
5,573,412 A	11/1996	Anthony	439/133
5,588,853 A	12/1996	Anthony	429/136
5,800,188 A	9/1998	Barber et al.	439/142
D399,187 S	10/1998	Kay	D13/146
D399,828 S	10/1998	Eidsvig	D13/156
5,951,309 A	9/1999	Hopper	439/142
D425,004 S	5/2000	Bonvicin	D12/197
6,065,981 A	5/2000	Sopotnick et al.	439/135
6,089,888 A	7/2000	Miller	439/142

1 Claim, 2 Drawing Sheets

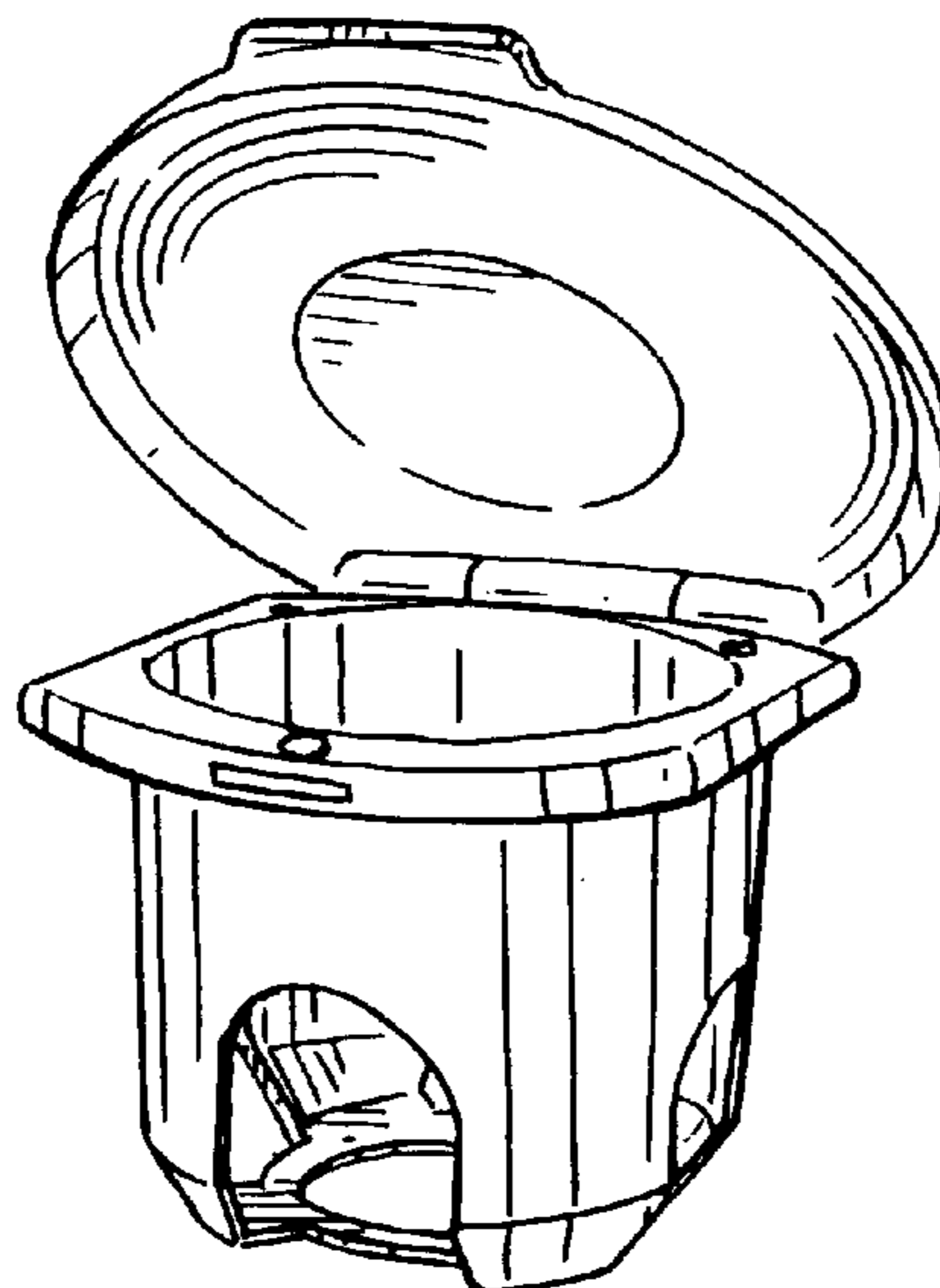


FIG. 1

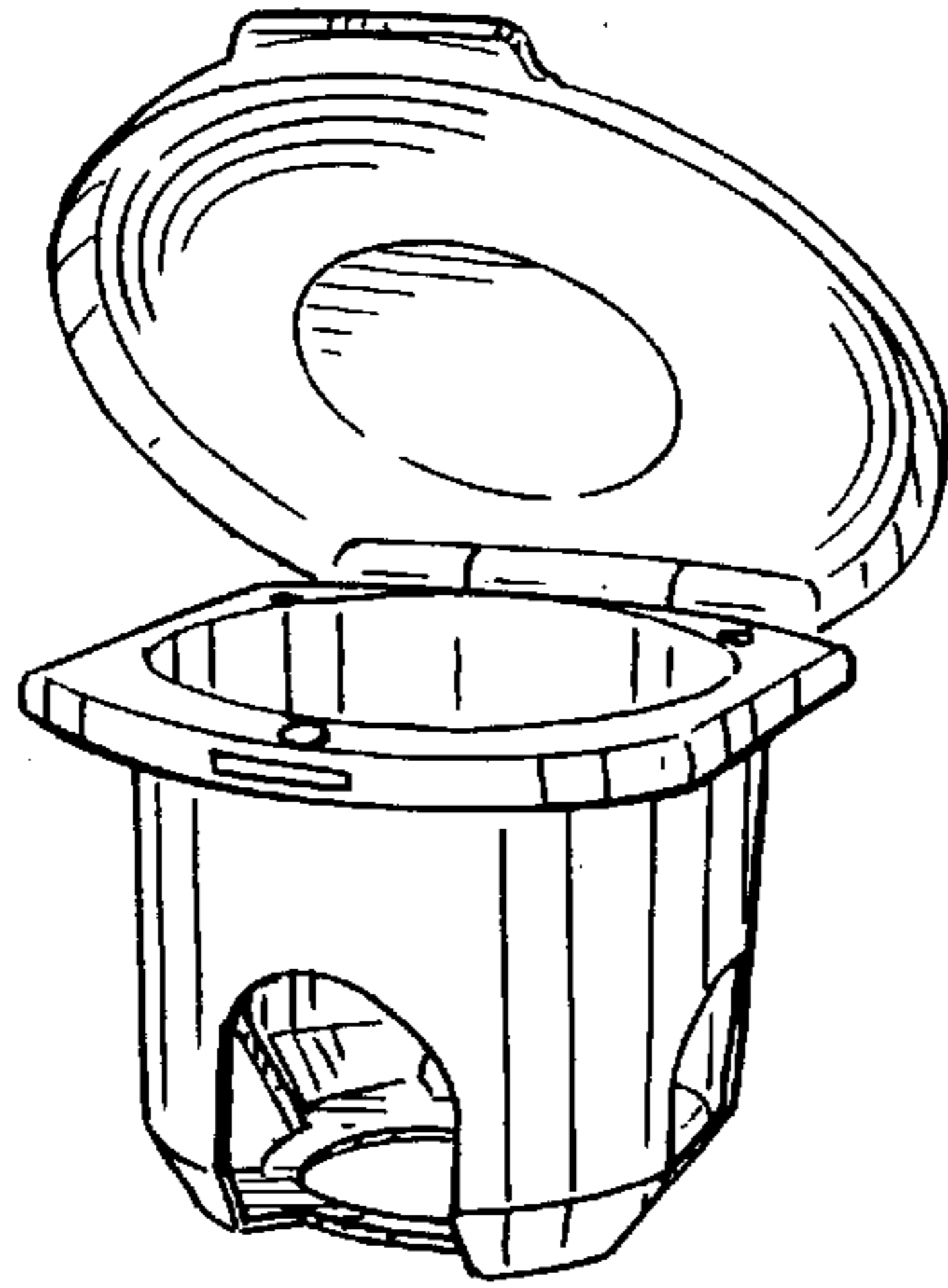


FIG. 2

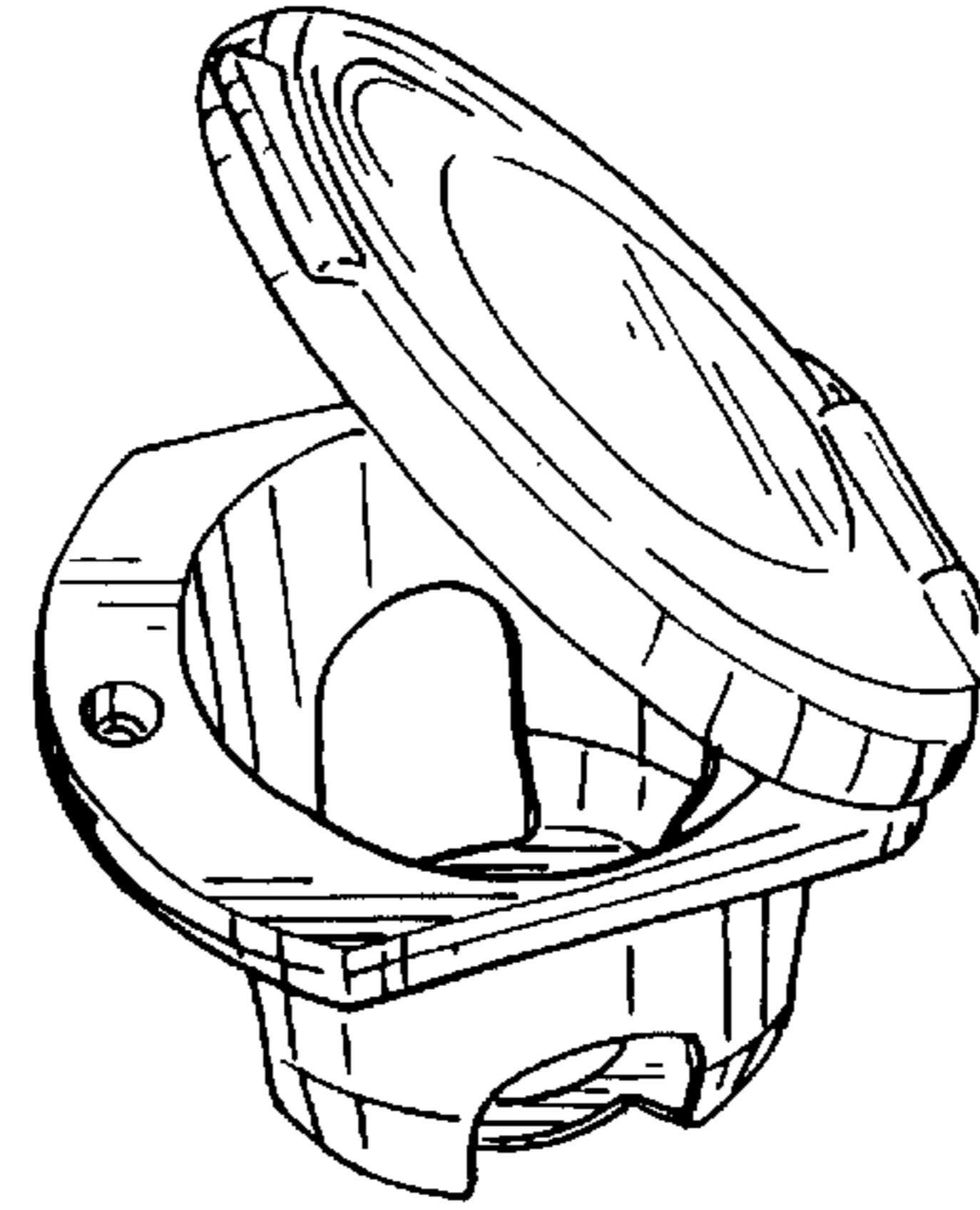


FIG. 3

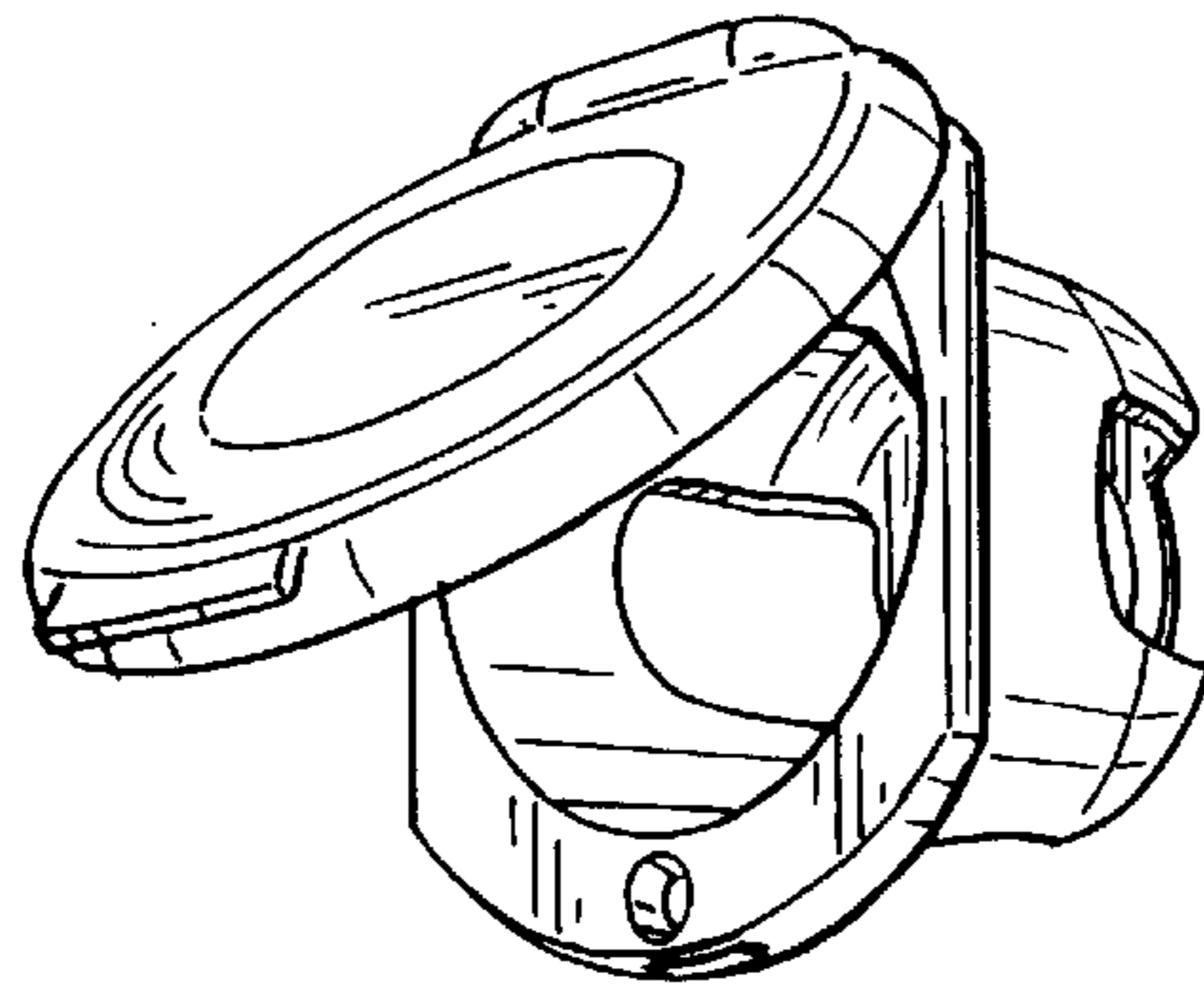


FIG. 4

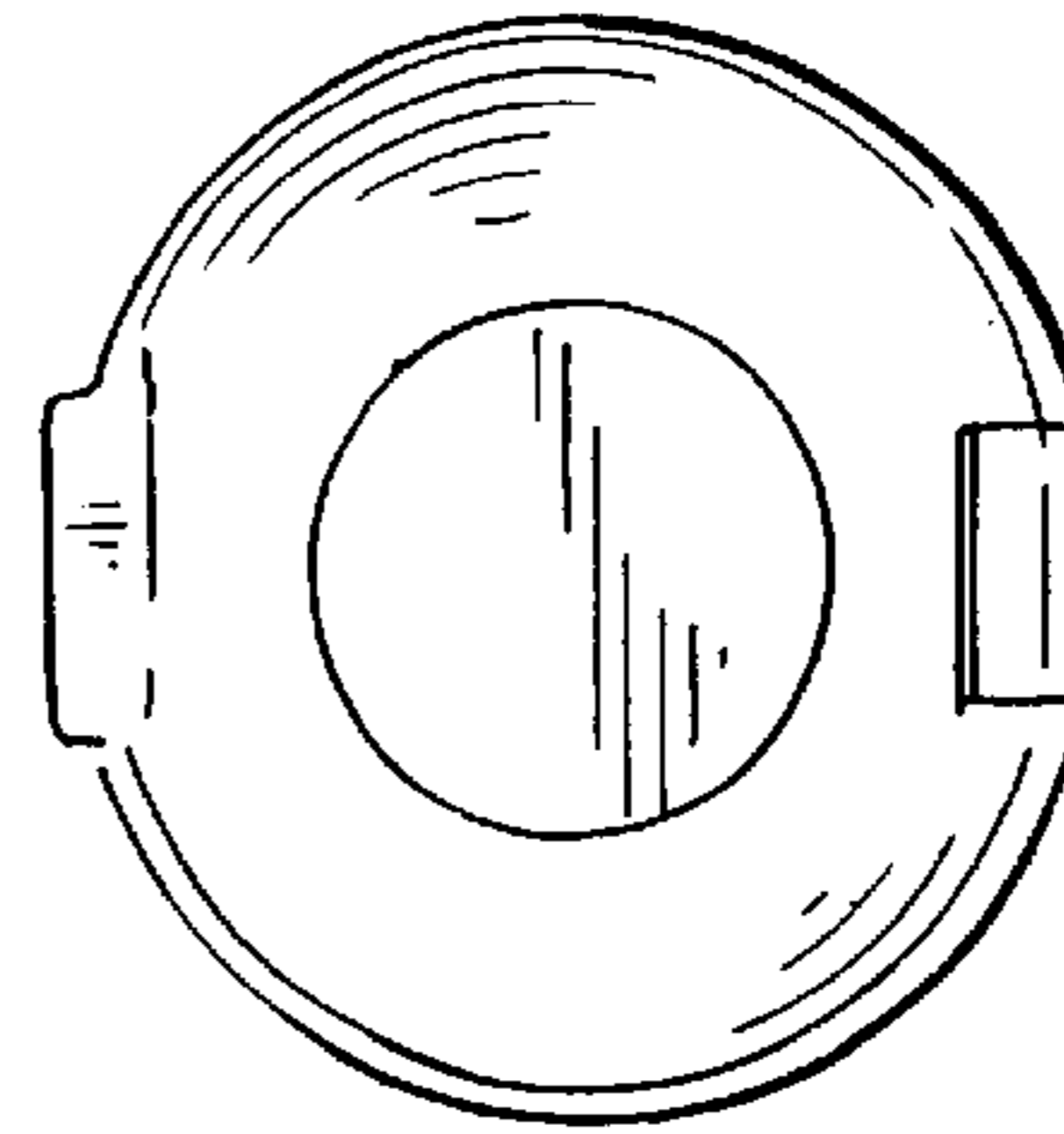


FIG. 5

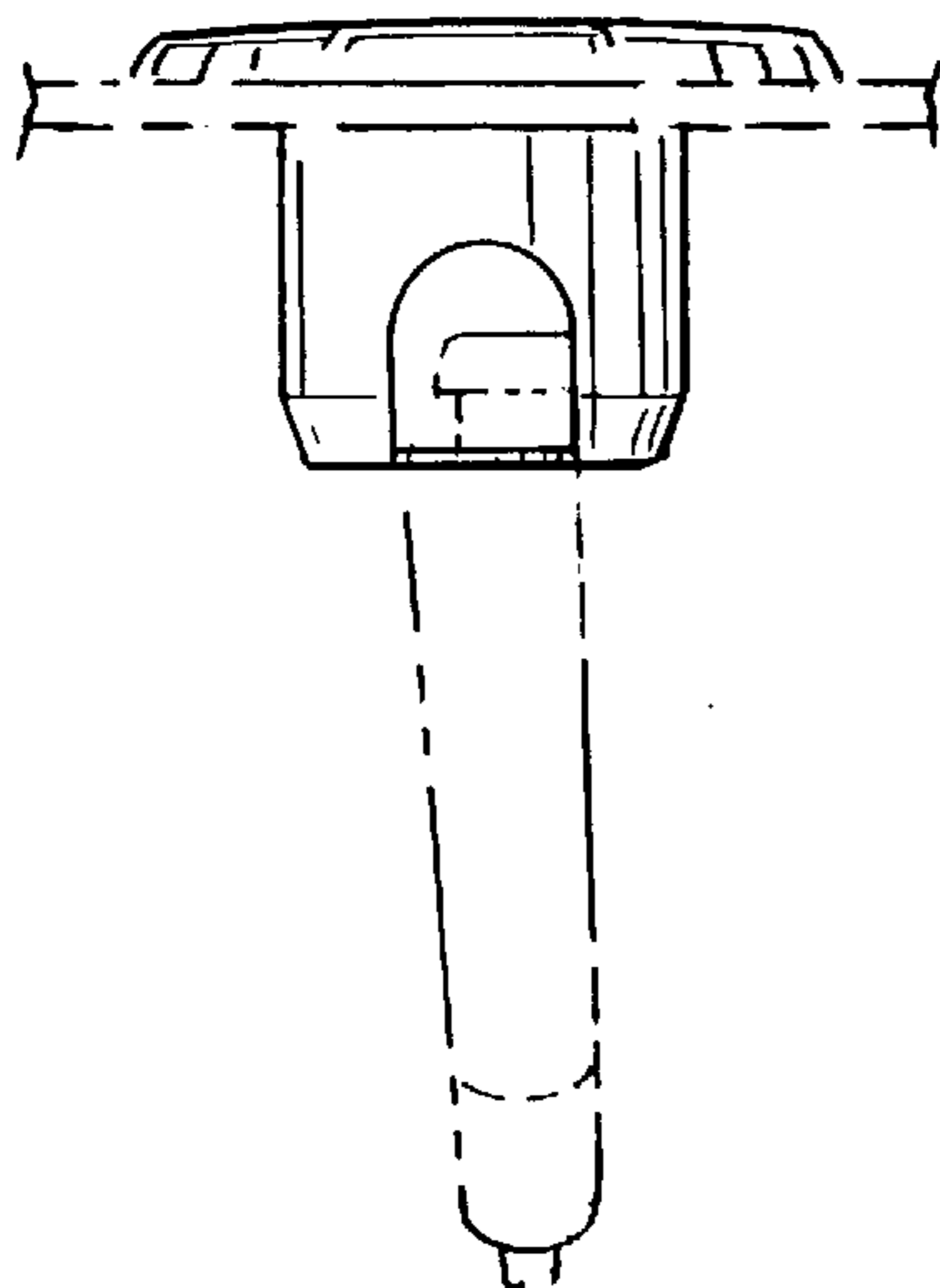


FIG. 6

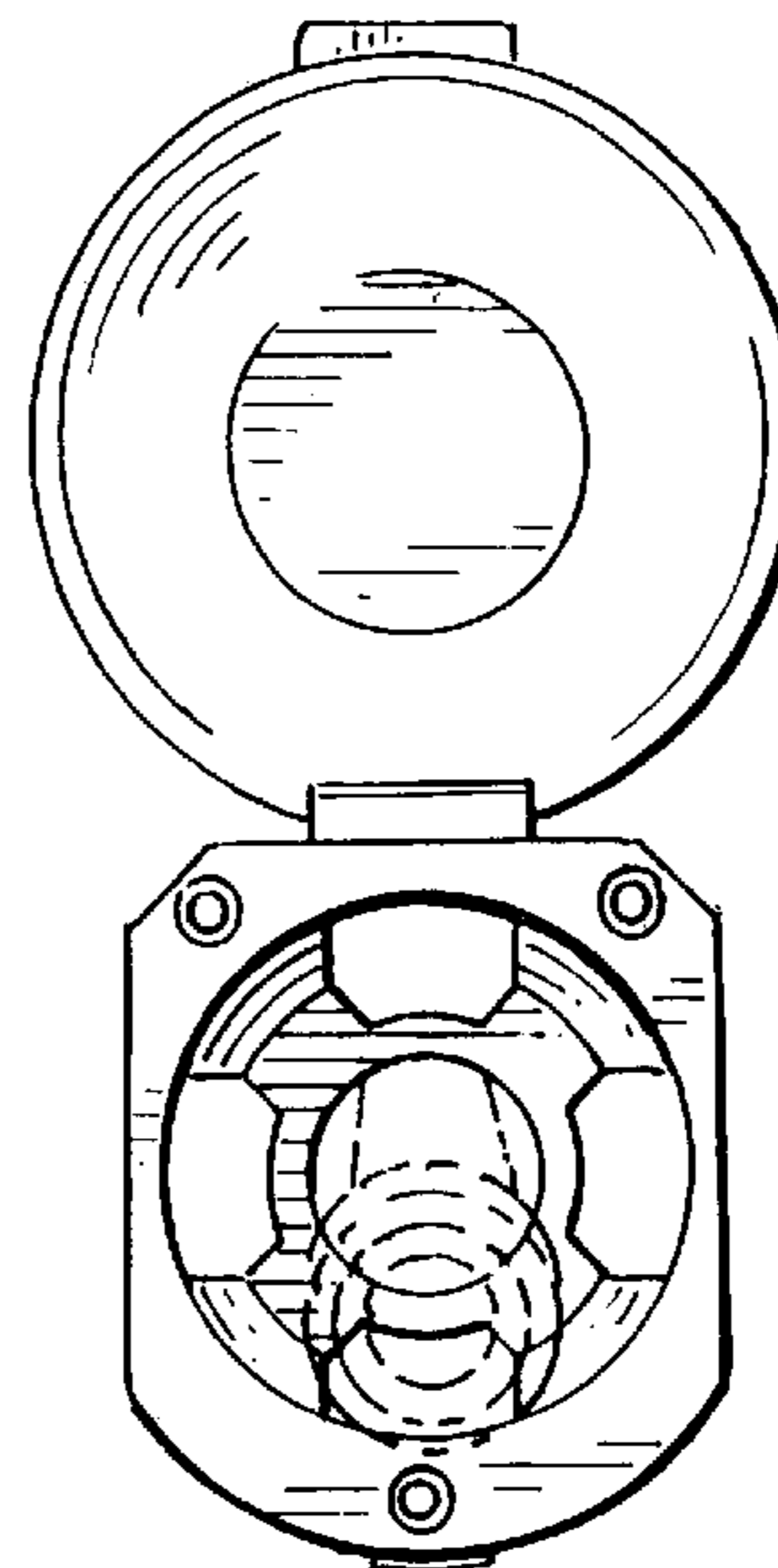


FIG. 7

