



US00D497418S1

(12) **United States Design Patent**
Piatt

(10) **Patent No.:** **US D497,418 S**
(45) **Date of Patent:** **** Oct. 19, 2004**

- (54) **PLUMBING FIXTURE**
- (75) Inventor: **James M. Piatt**, Sheboygan Falls, WI (US)
- (73) Assignee: **Kohler Co.**, Kohler, WI (US)
- (**) Term: **14 Years**
- (21) Appl. No.: **29/190,333**
- (22) Filed: **Sep. 18, 2003**

D446,288 S	8/2001	McKeone et al.	D23/293.1
6,276,648 B1	8/2001	Katz et al.	4/648
6,363,547 B1	4/2002	Perry	4/614
D461,881 S	8/2002	McKeone	D23/293.1
D463,538 S	9/2002	Chipperfield	D23/284

Related U.S. Application Data

- (60) Division of application No. 29/158,620, filed on Apr. 4, 2002, now Pat. No. Des. 482,434, which is a continuation-in-part of application No. 29/153,936, filed on Oct. 26, 2001, now Pat. No. Des. 473,293.
- (51) **LOC (7) Cl.** **23-02**
- (52) **U.S. Cl.** **D23/293.1**
- (58) **Field of Search** D23/270-274,
D23/283-284, 286-287, 291-292, 283.1,
303, 304-308; 4/553, 557-558, 596-604,
612-614, 619, 622, 629-630, 633, 638,
650-651, 660

References Cited

U.S. PATENT DOCUMENTS

450,895 A	4/1891	Shattuck	D23/293.1
998,742 A	7/1911	Berkley	4/652 X
2,389,724 A	11/1945	Falco	D23/283 X
3,376,583 A	4/1968	Frey	4/638 X
D218,031 S	7/1970	Wheeler, Jr.	D23/308
3,578,737 A	5/1971	Ruggles et al.	4/631
3,579,661 A	5/1971	Lien	4/651 X
D232,638 S	9/1974	Mather	D23/284
D236,204 S	8/1975	Cooper	D23/308 X
4,086,669 A	5/1978	Combis	4/622
D298,452 S	11/1988	Carter	D23/293.1
D332,829 S	1/1993	Belfor	D23/292
D356,148 S	3/1995	Kohler, Jr. et al.	D23/293.1
5,628,484 A	5/1997	Lechuga	4/594
D423,653 S	4/2000	Svendsen	D23/293.1
D430,274 S	8/2000	Marshall	D23/284
D436,656 S	1/2001	McKeone	D23/293.1

OTHER PUBLICATIONS

1999 Kohler catalog ad, p. 16.13, showing an "Interlace" kitchen sink.
 1999 Kohler catalog ad, p.16.55, showing a K-3340 "Undertone" sink.
 1998 Kohler catalog ad, p. 8-25, showing a "Jamestown" lavatory.
 1999 Kohler catalog ad, p. 14.9, showing a "Folio" lavatory.
 2000 Kohler catalog ad, p. 11.23, showing "Memoirs" shower receptors.

Primary Examiner—Robert A. Delehanty
 (74) *Attorney, Agent, or Firm*—Quarles & Brady LLP

(57) **CLAIM**

The ornamental design for a plumbing fixture, as shown and described.

DESCRIPTION

In a preferred embodiment, the nature of this product is as a plumbing fixture in the form of a lavatory, sink or receptor primarily useful for washing various objects.
 FIG. 1 is a left, top, front perspective view of a plumbing fixture embodying my new design;
 FIG. 2 is a top plan view thereof;
 FIG. 3 is a front elevational view thereof;
 FIG. 4 is a left side elevational view thereof;
 FIG. 5 is a left, top, front perspective view of a second embodiment;
 FIG. 6 is a top plan view thereof;
 FIG. 7 is a front elevational view thereof; and,
 FIG. 8 is a left side elevational view thereof.
 The broken line representations of holes and a mounting deck in FIGS. 5 and 6, and of drains in FIGS. 1-8 are for the purpose of illustration only, and form no part of the claimed design.

1 Claim, 2 Drawing Sheets

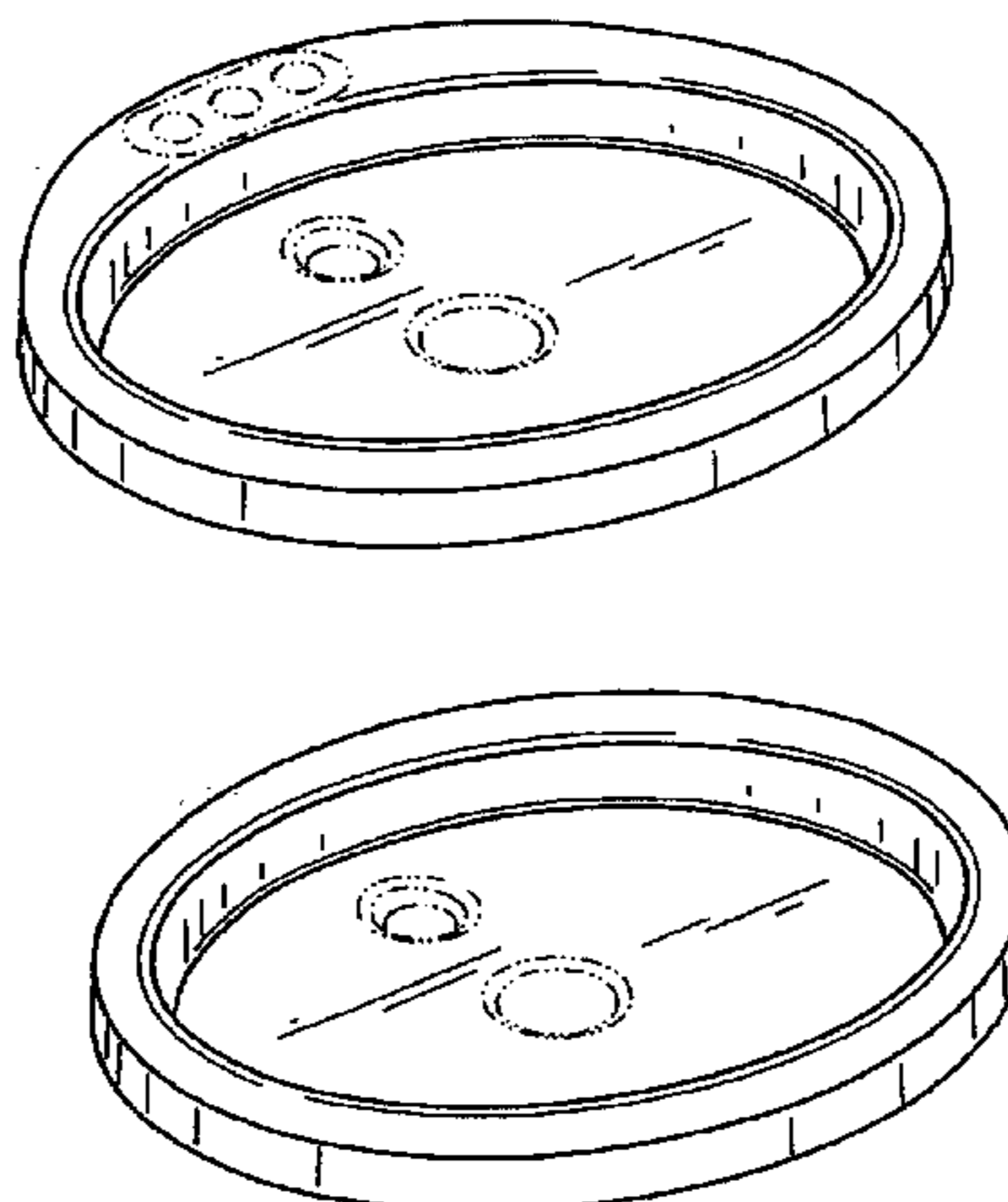


FIG. 1

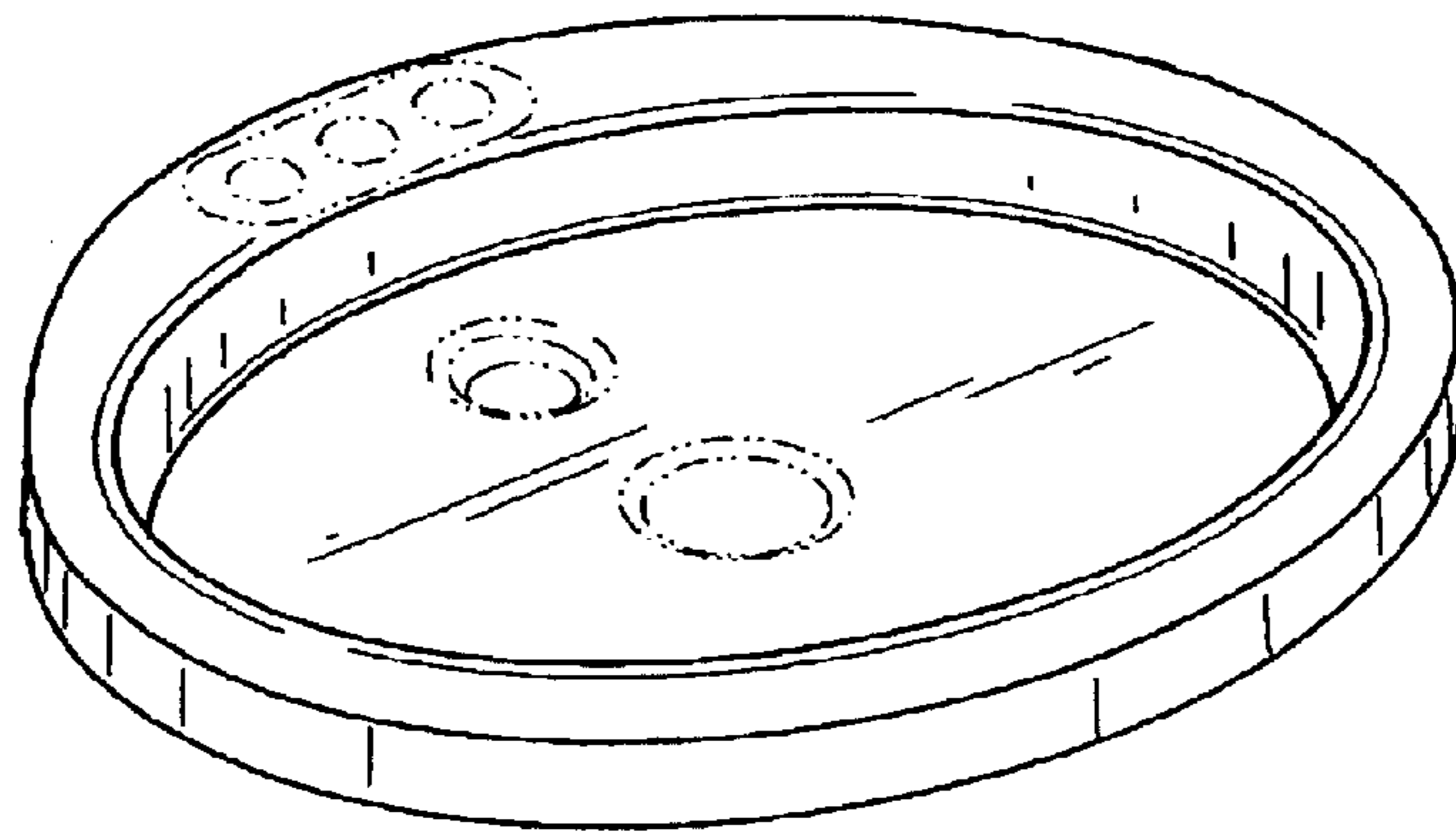


FIG. 2

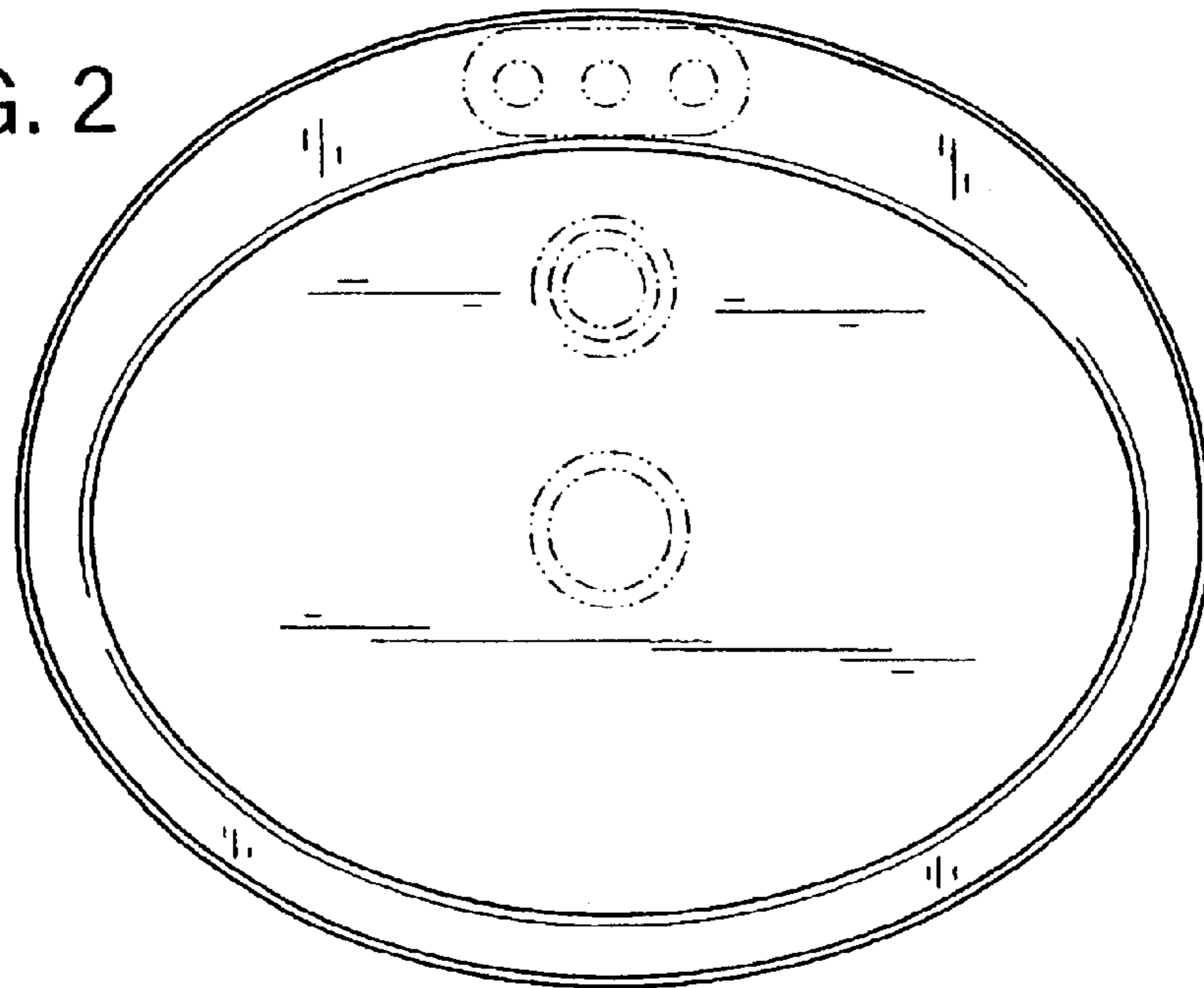


FIG. 3

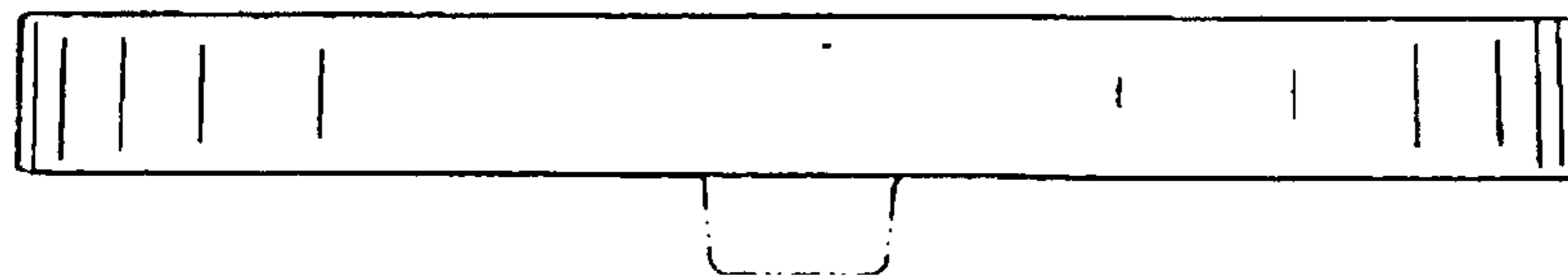


FIG. 4

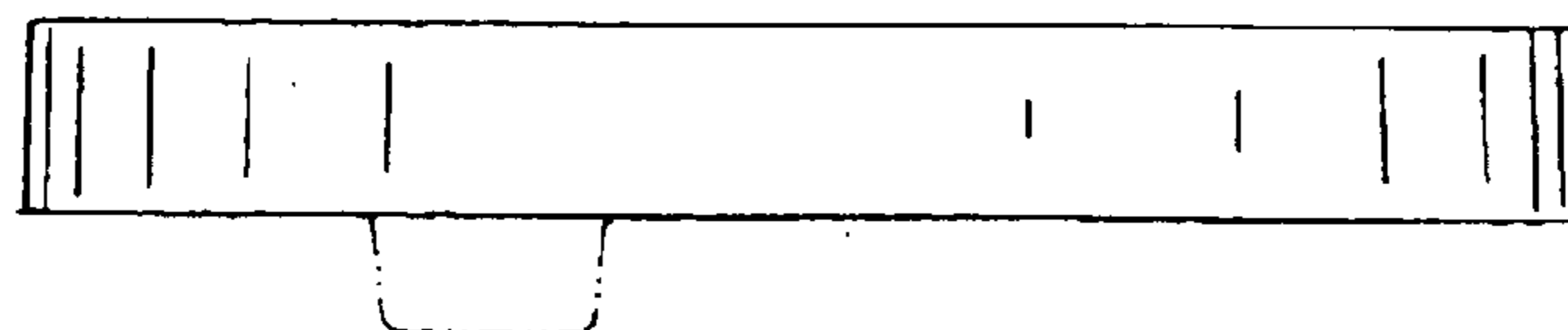


FIG. 5

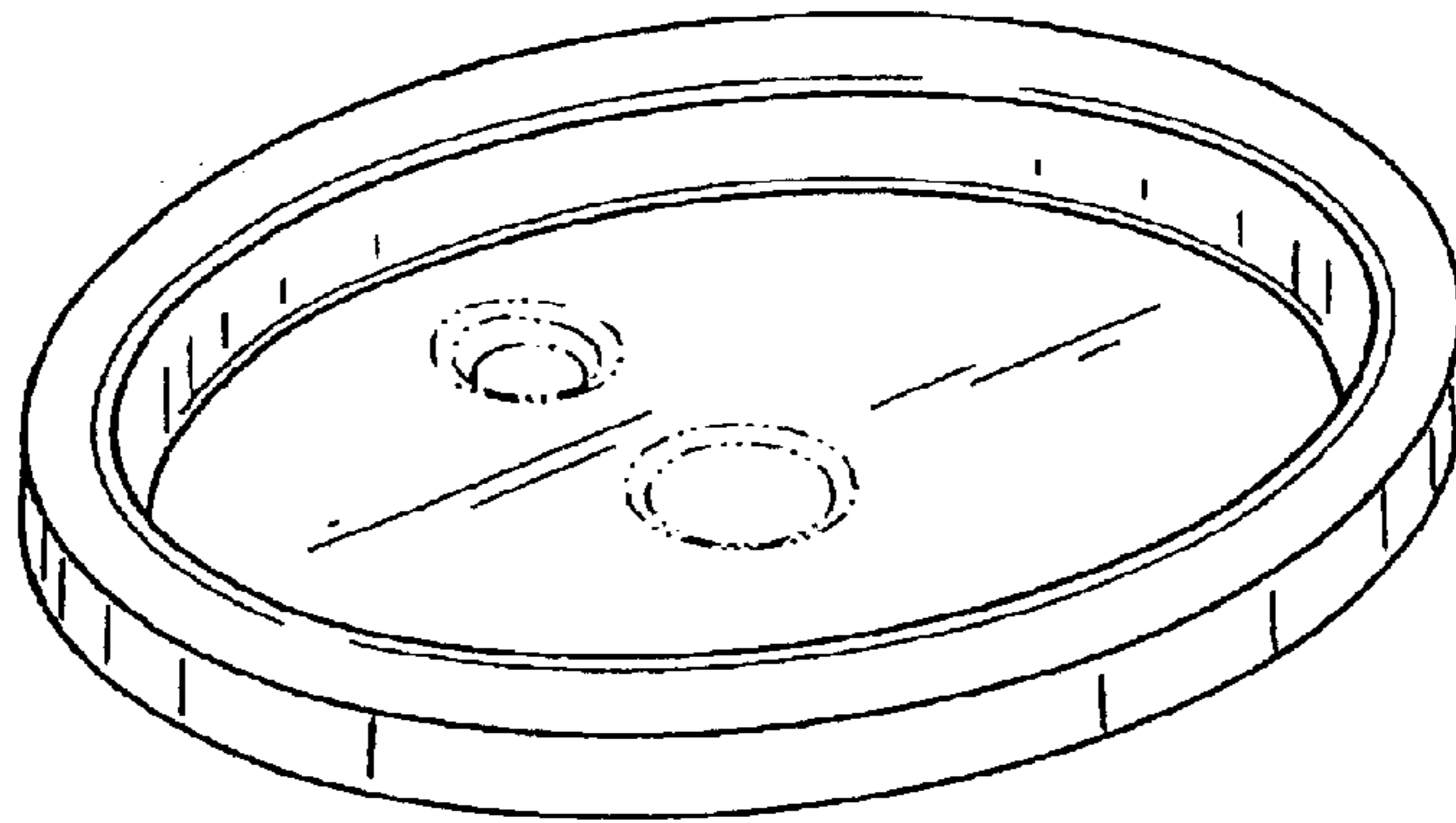


FIG. 6

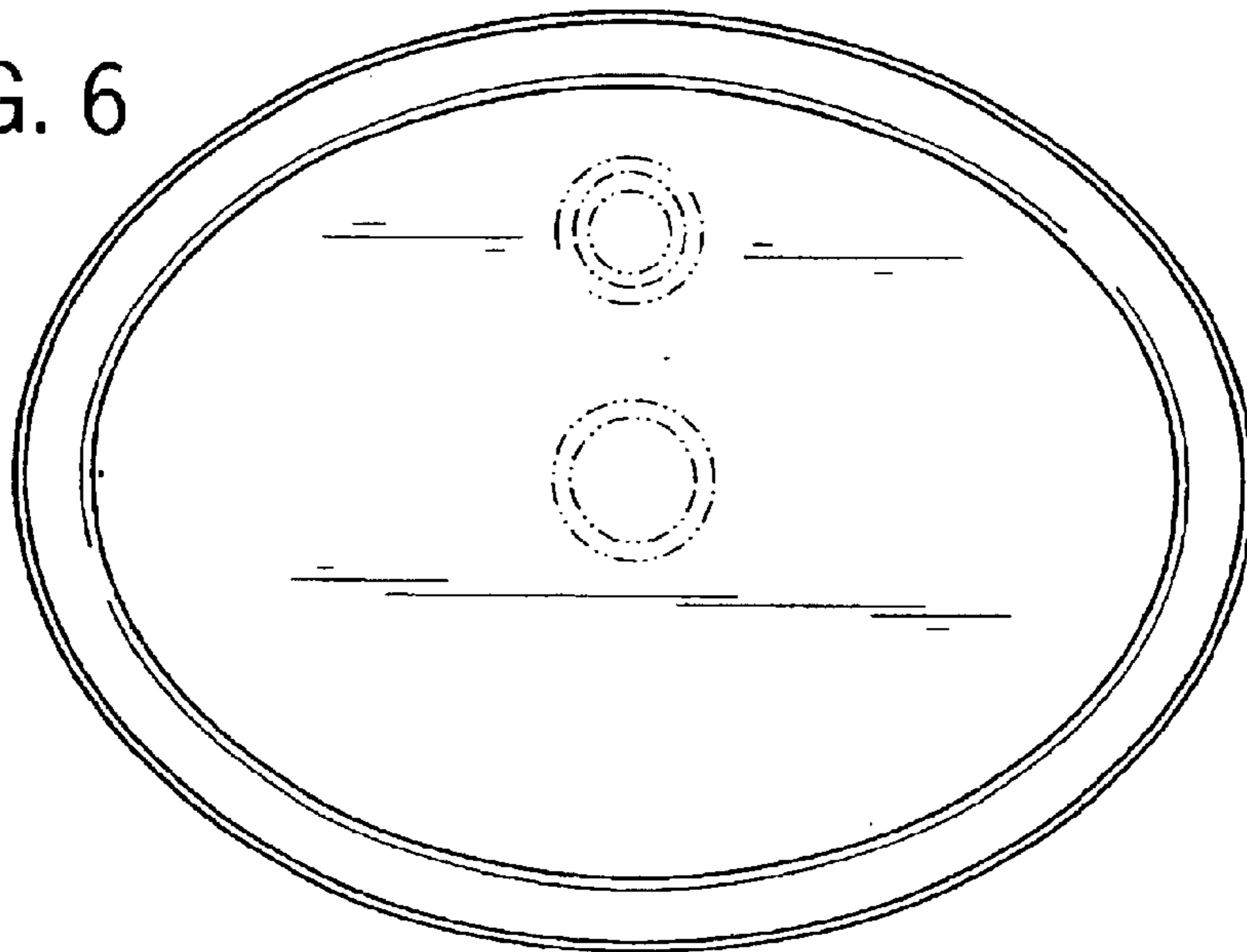


FIG. 7

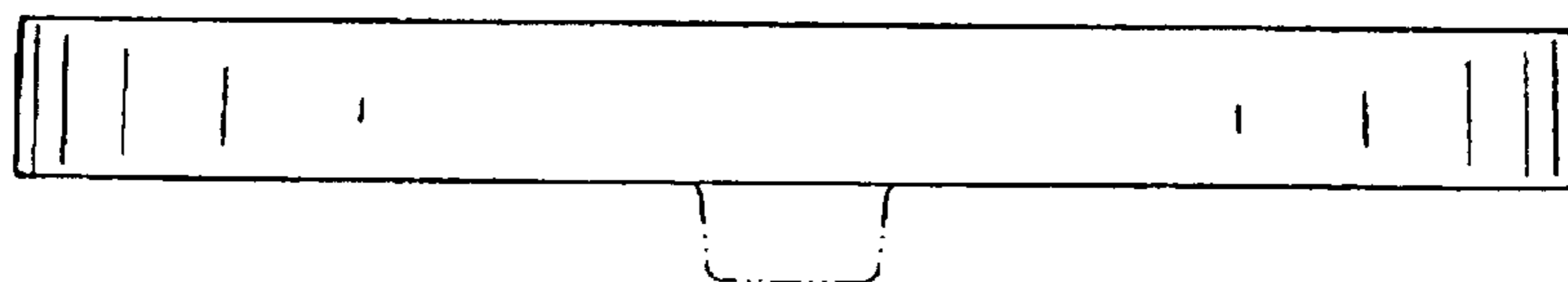


FIG. 8

