



US00D497416S1

(12) **United States Design Patent** (10) **Patent No.:** **US D497,416 S**
Piatt (45) **Date of Patent:** **** Oct. 19, 2004**

(54) **PLUMBING FIXTURE**
(75) Inventor: **James M. Piatt**, Sheboygan Falls, WI (US)
(73) Assignee: **Kohler Co.**, Kohler, WI (US)
(**) Term: **14 Years**

5,628,484 A 5/1997 Lechuga 4/594
D423,653 S 4/2000 Svendsen D23/293.1
D430,274 S 8/2000 Marshall D23/284
D436,656 S 1/2001 McKeone D23/293.1
D446,288 S 8/2001 McKeone et al. D23/293.1
6,276,648 B1 8/2001 Katz et al. 4/648
6,363,547 B1 4/2002 Perry 4/614
D461,881 S 8/2002 McKeone D23/293.1
D463,538 S 9/2002 Chipperfield D23/284

(21) Appl. No.: **29/190,329**
(22) Filed: **Sep. 18, 2003**

OTHER PUBLICATIONS

Related U.S. Application Data

(60) Division of application No. 29/158,620, filed on Apr. 4, 2002, now Pat. No. Des. 482,434, which is a continuation-in-part of application No. 29/153,936, filed on Oct. 26, 2001, now Pat. No. Des. 473,293.
(51) **LOC (7) Cl.** **23-02**
(52) **U.S. Cl.** **D23/293.1**
(58) **Field of Search** D23/270-274,
D23/283-284, 286-287, 291-292, 293.1,
303, 304-308; 4/553, 557-558, 596-604,
612-614, 619, 622, 629-630, 633, 638,
650-651, 660

1999 Kohler catalog ad, p. 16.13, showing an "Interlace" kitchen sink.
1999 Kohler catalog ad, p.16.55, showing a K-3340 "Undertone" sink.
1998 Kohler catalog ad, p. 8-25, showing a "Jamestown" lavatory.
1999 Kohler catalog ad, p. 14.9, showing a "Folio" lavatory.
2000 Kohler catalog ad, p. 11.23, showing "Memoirs" shower receptors.

Primary Examiner—Robert A. Delehanty
(74) *Attorney, Agent, or Firm*—Quarles & Brady LLP

(57) **CLAIM**

The ornamental design for a plumbing fixture, as shown and described.

(56) **References Cited**

DESCRIPTION

U.S. PATENT DOCUMENTS

450,895 A 4/1891 Shattuck D23/293.1
998,742 A 7/1911 Berkley 4/652 X
2,389,724 A 11/1945 Falco D23/283 X
3,376,583 A 4/1968 Frey 4/638 X
D218,031 S 7/1970 Wheeler, Jr. D23/308
3,578,737 A 5/1971 Ruggles et al. 4/631
3,579,661 A 5/1971 Lien 4/651 X
D232,638 S 9/1974 Mather D23/284
D236,204 S 8/1975 Cooper D23/308 X
4,086,669 A 5/1978 Combis 4/622
D298,452 S 11/1988 Carter D23/93.1
D332,829 S 1/1993 Belfor D23/292
D356,148 S 3/1995 Kohler, Jr. et al. D23/293.1

In a preferred embodiment, the nature of this product is as a plumbing fixture in the form of a lavatory, sink or receptor primarily useful for washing various objects.
FIG. 1 is a left, top, front perspective view of a plumbing fixture embodying my new design;
FIG. 2 is a top plan view thereof;
FIG. 3 is a front elevational view thereof; and,
FIG. 4 is a left side elevational view thereof.
The broken line representations of drains in FIGS. 1-4 are for the purpose of illustration only, and form no part of the claimed design.

1 Claim, 2 Drawing Sheets

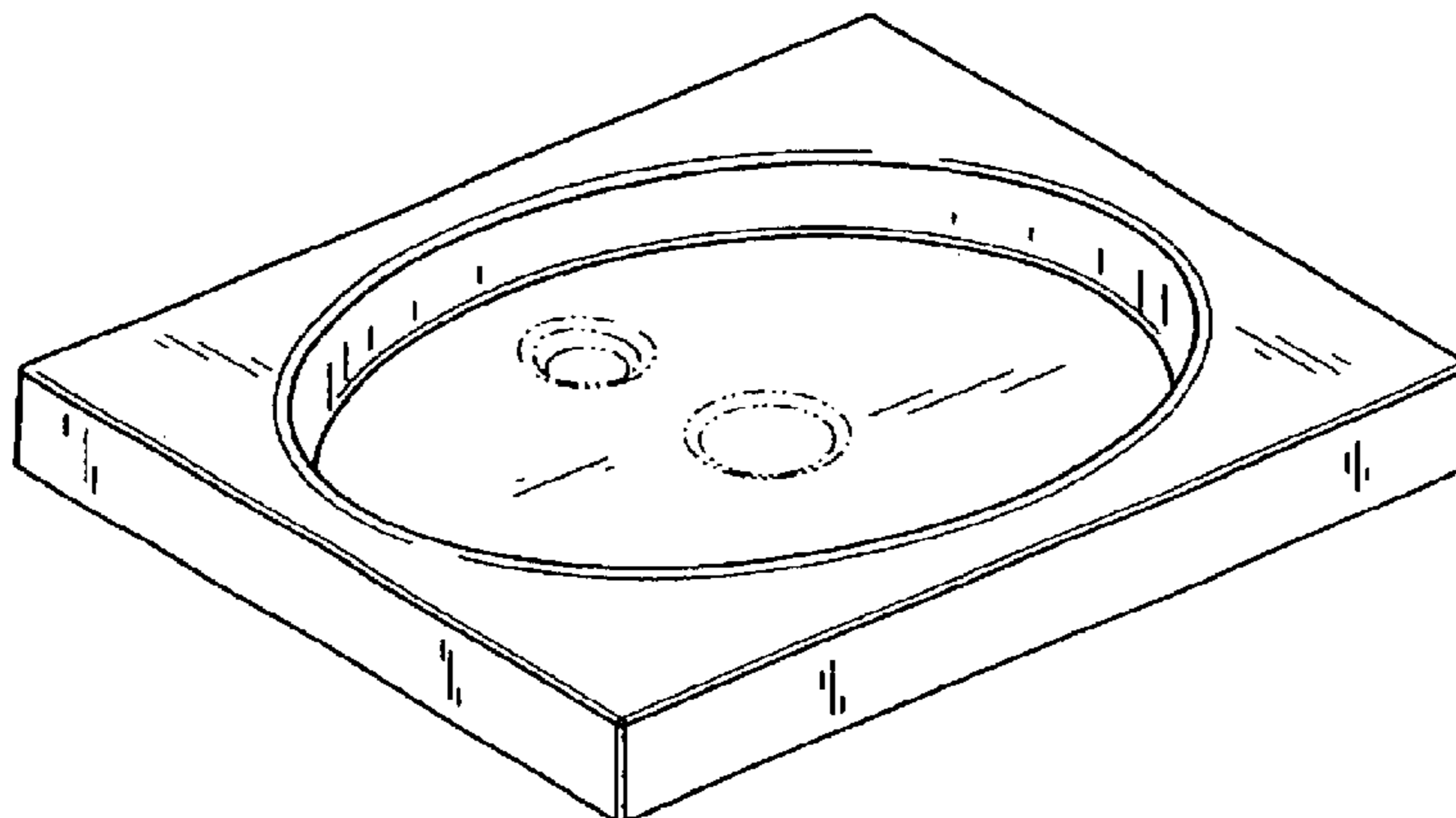


FIG. 1

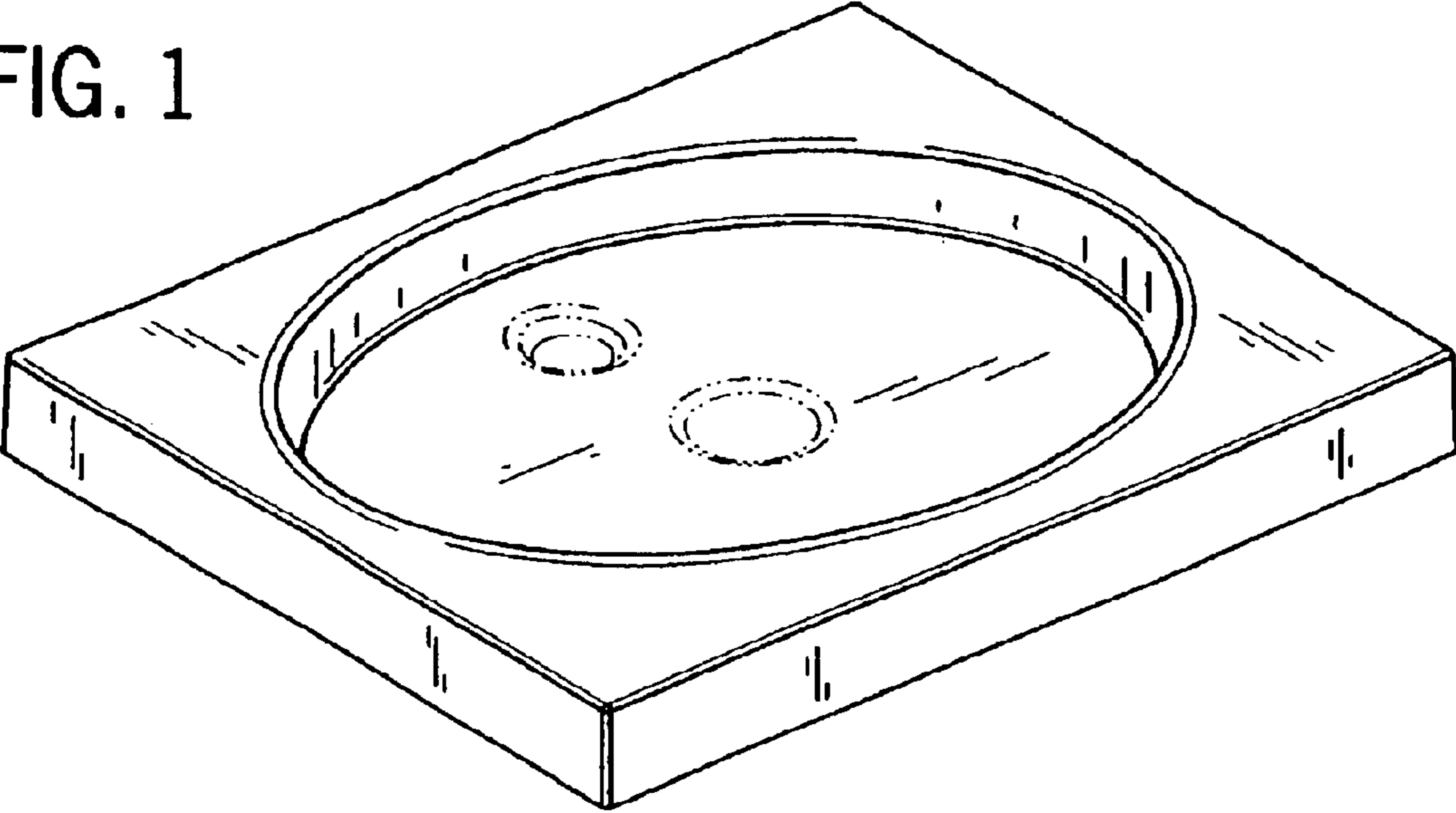


FIG. 2

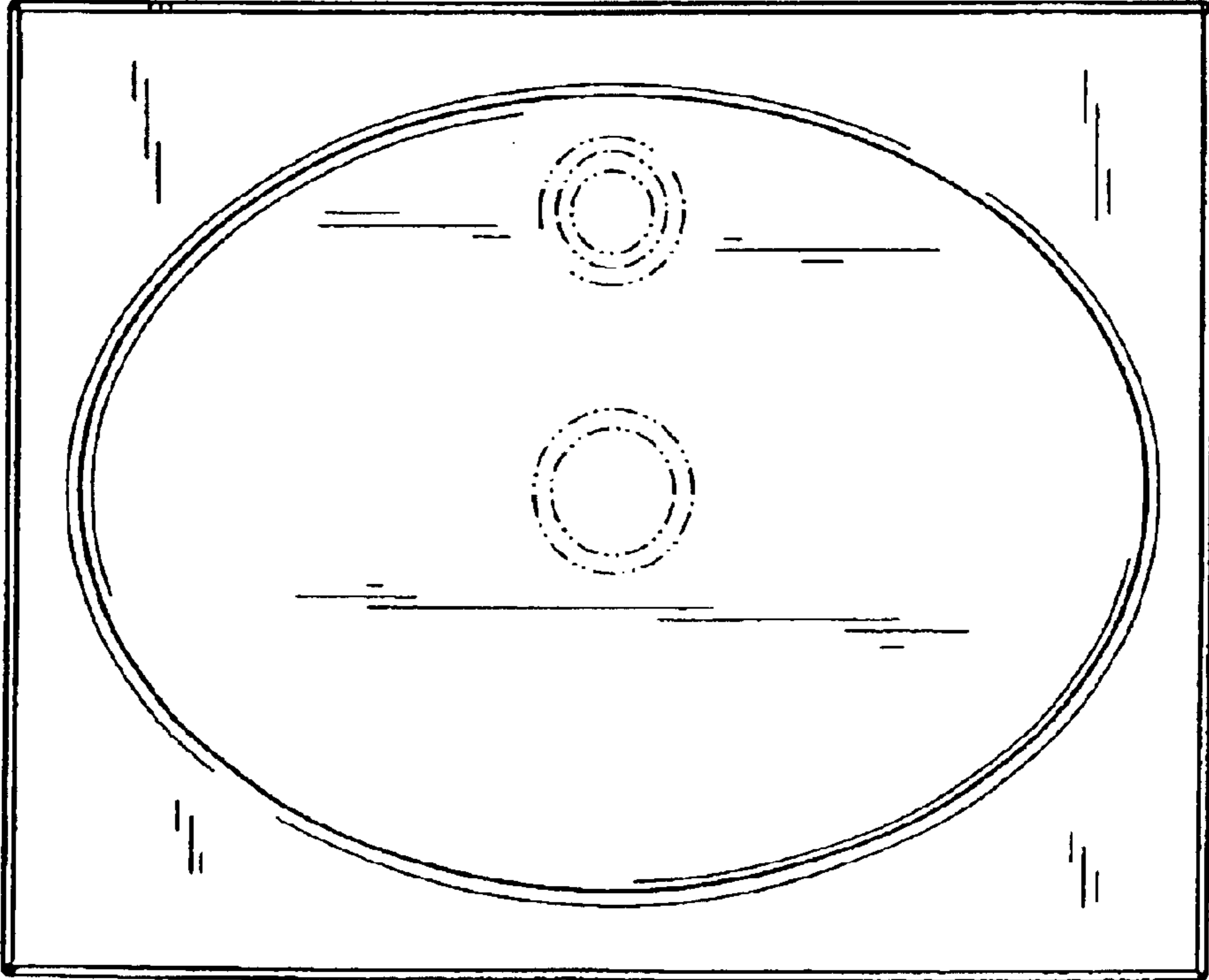


FIG. 3

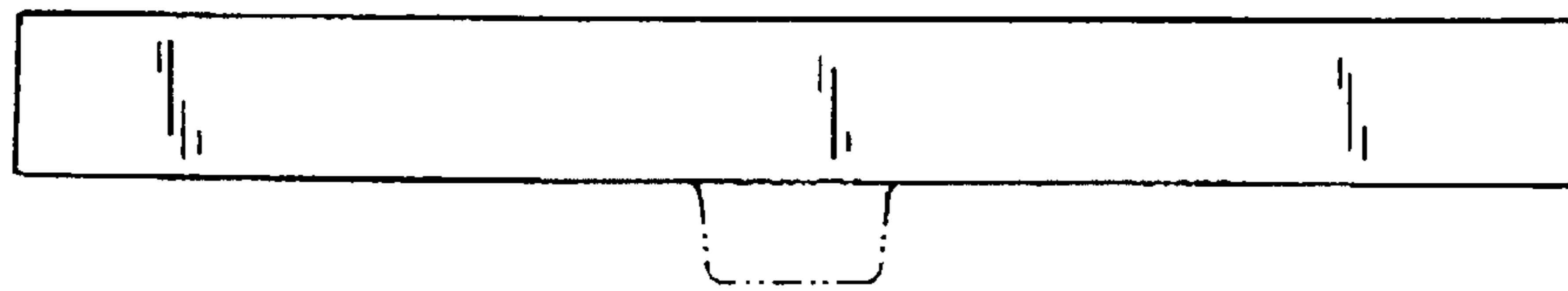


FIG. 4

