

US00D497414S1

(12) **United States Design Patent**
Matsumoto

(10) **Patent No.:** **US D497,414 S**
(45) **Date of Patent:** **** Oct. 19, 2004**

(54) **SOCKET OF PIPE COUPLING FOR CHARGING HYDROGEN**

D442,267 S * 5/2001 Kouda D23/262
D463,537 S * 9/2002 Koza et al. D23/262
D483,096 S * 12/2003 Gotoh et al. D23/262

(75) Inventor: **Koji Matsumoto**, Tokyo (JP)

* cited by examiner

(73) Assignee: **Nitto Kohki Co., Ltd.**, Tokyo (JP)

Primary Examiner—Robin V. Taylor

(**) Term: **14 Years**

(74) *Attorney, Agent, or Firm*—Wenderoth, Lind & Ponack, L.L.P.

(21) Appl. No.: **29/188,301**

(57) **CLAIM**

(22) Filed: **Aug. 18, 2003**

The ornamental design for a socket of pipe coupling for charging hydrogen, as shown and described.

(30) **Foreign Application Priority Data**

DESCRIPTION

Apr. 14, 2003 (JP) 2003-010455

(51) **LOC (7) Cl.** **23-01**

FIG. 1 is a perspective view of a socket of pipe coupling for charging hydrogen when seen from the top and left side of the front, showing my new design;

(52) **U.S. Cl.** **D23/262**

FIG. 2 is a front elevational view thereof;

(58) **Field of Search** D23/262, 233;

FIG. 3 is a top plan view thereof;

285/315, 316, 275, 277; 251/149.1, 150, 148

FIG. 4 is a left side elevational view thereof;

(56) **References Cited**

FIG. 5 is a right side elevational view thereof; and,

U.S. PATENT DOCUMENTS

FIG. 6 is a centrally cross sectioned front view taken across FIG. 4 along line VI—VI.

D406,881 S * 3/1999 Kuwabara D23/262

6,027,097 A * 2/2000 Humphreys 251/149.6

1 Claim, 3 Drawing Sheets

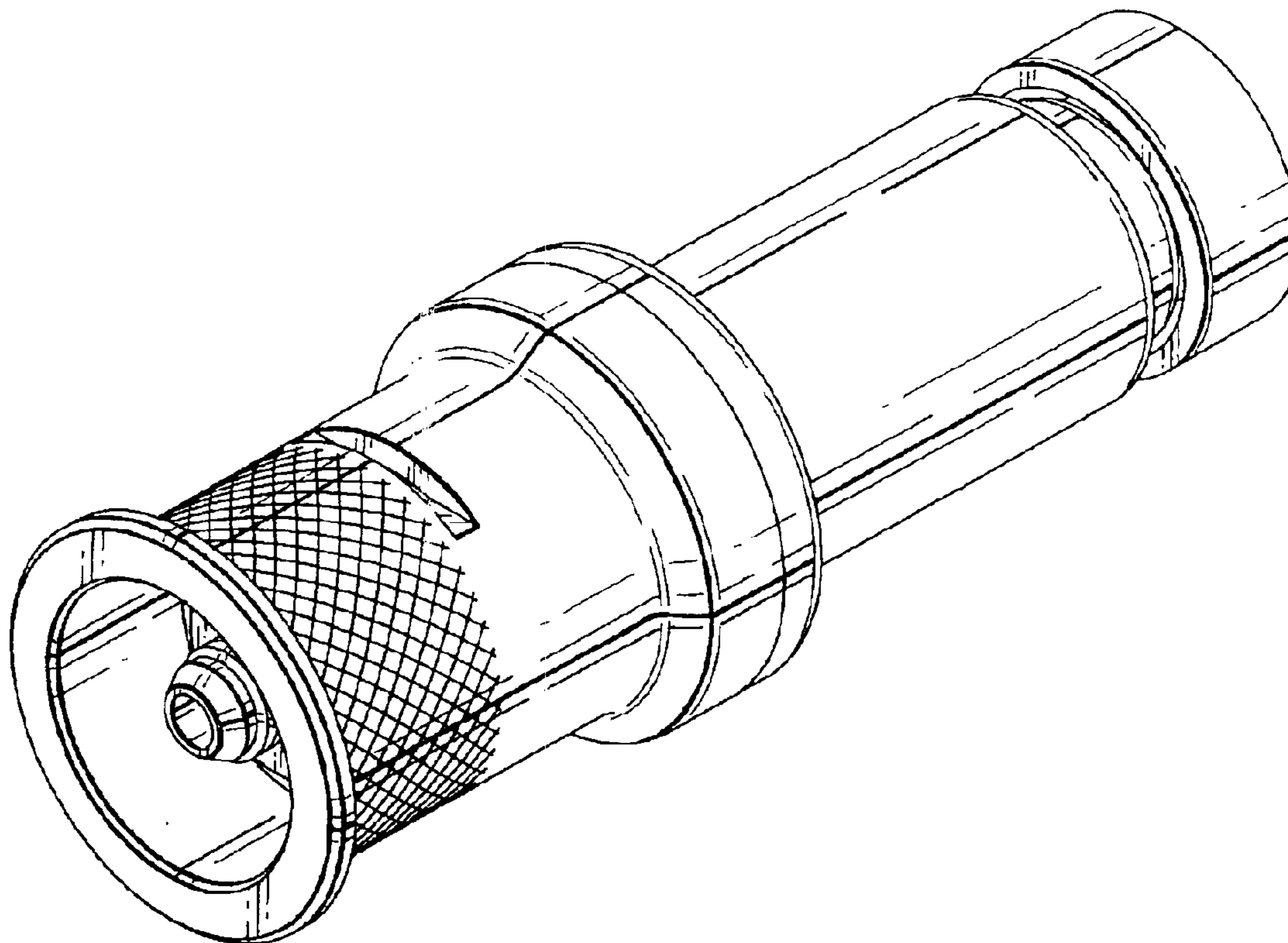


FIG. 1

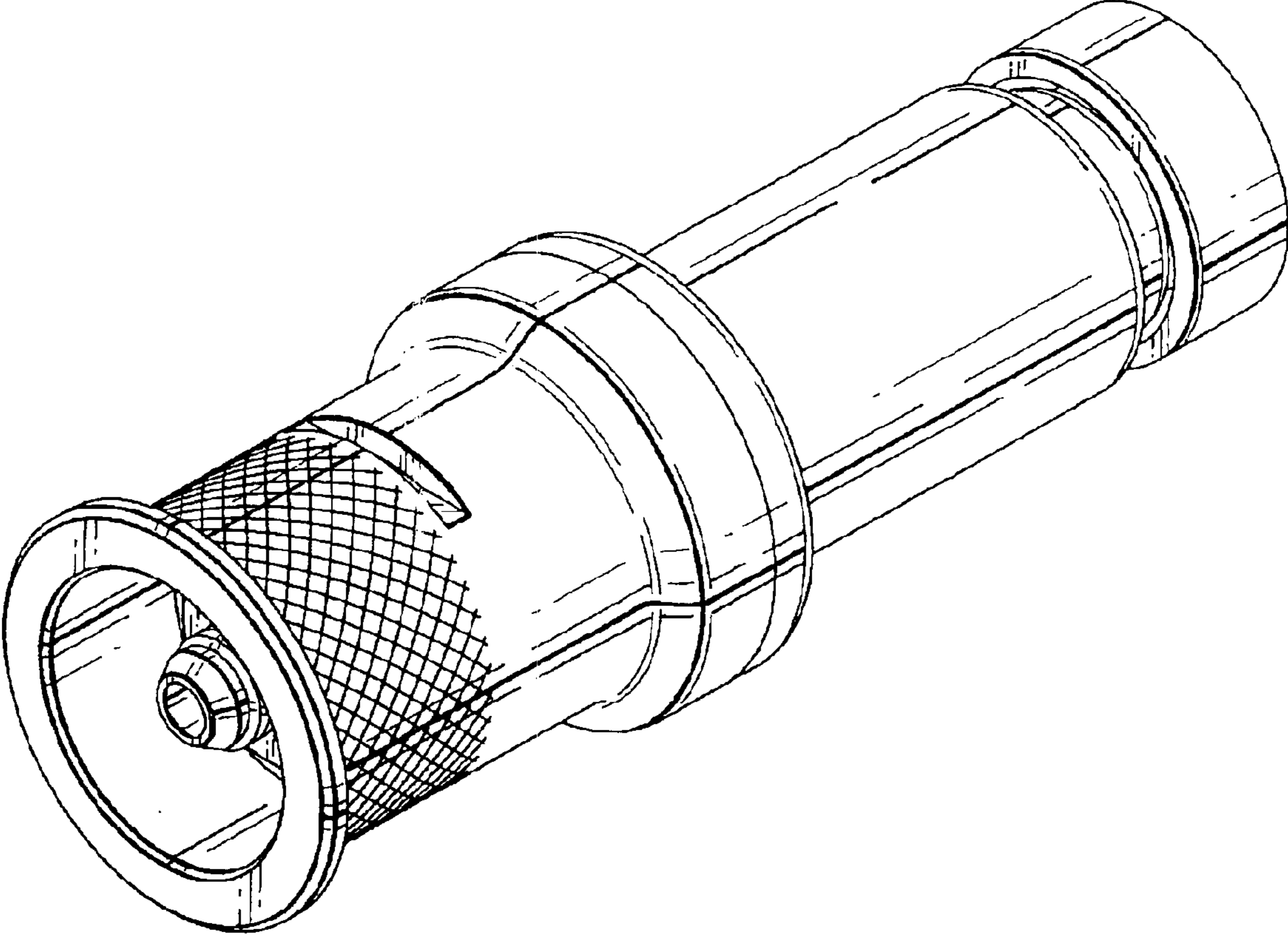


FIG.2

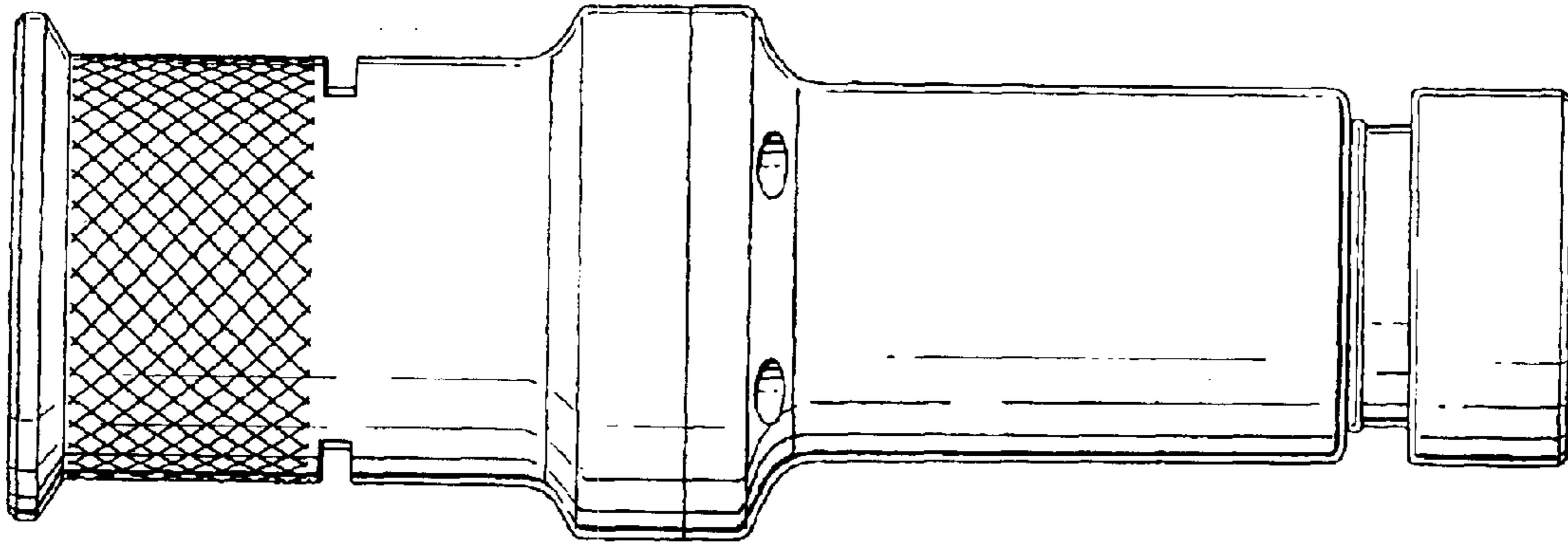


FIG.3

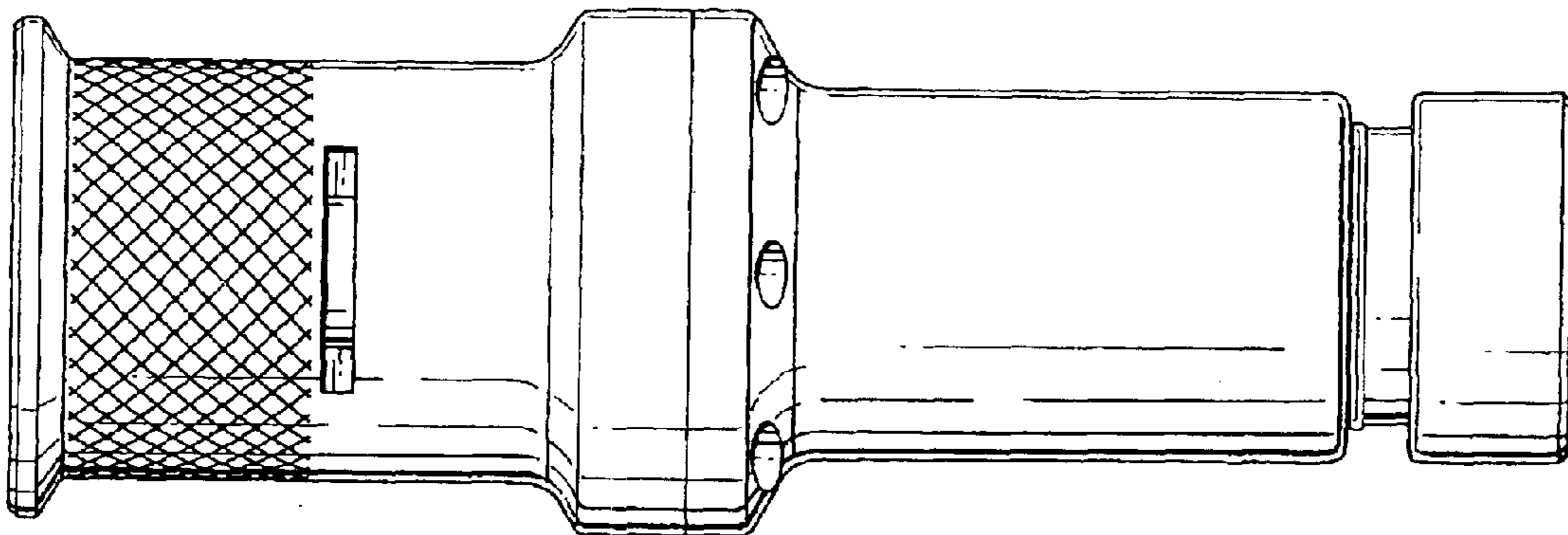
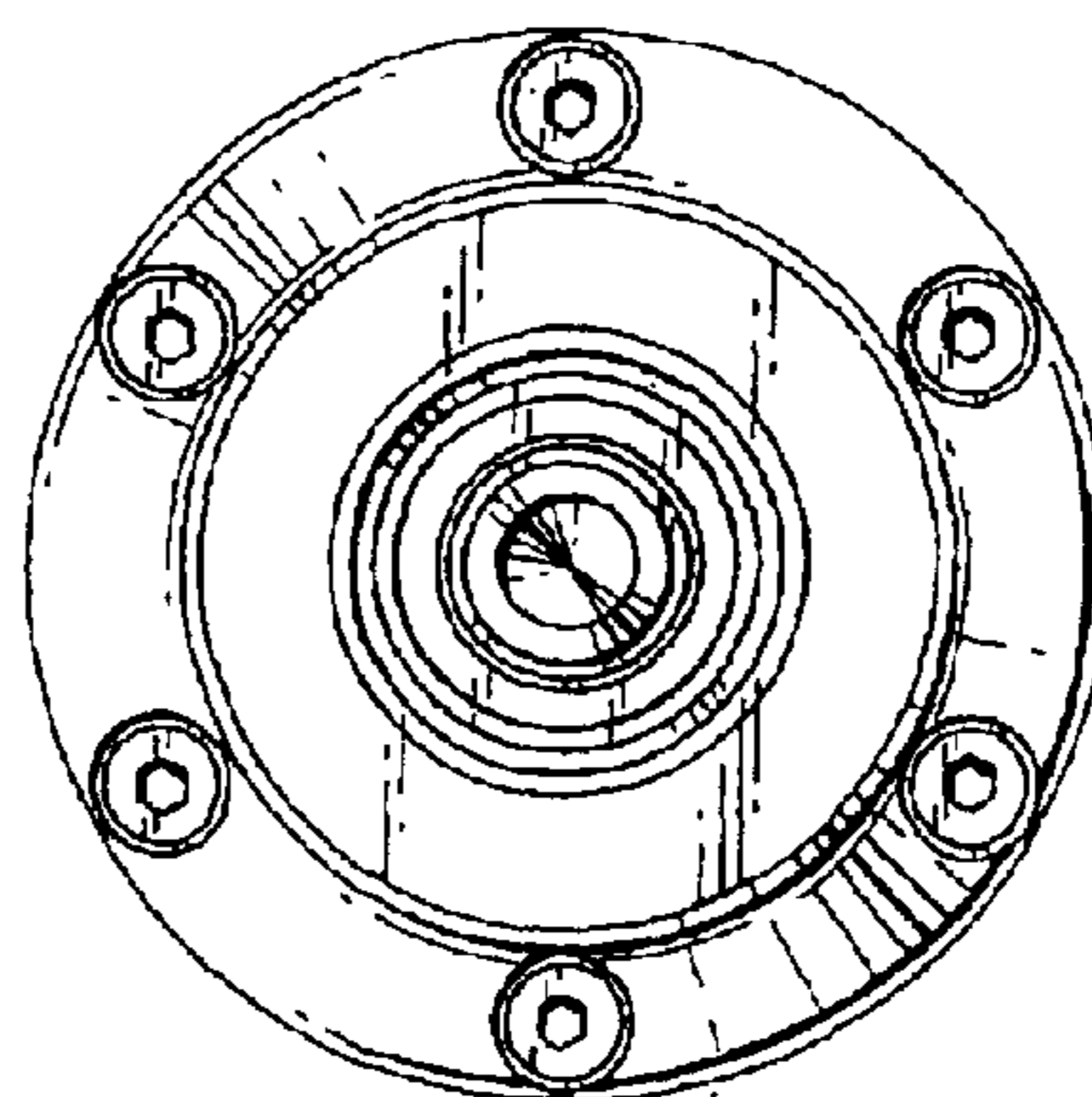
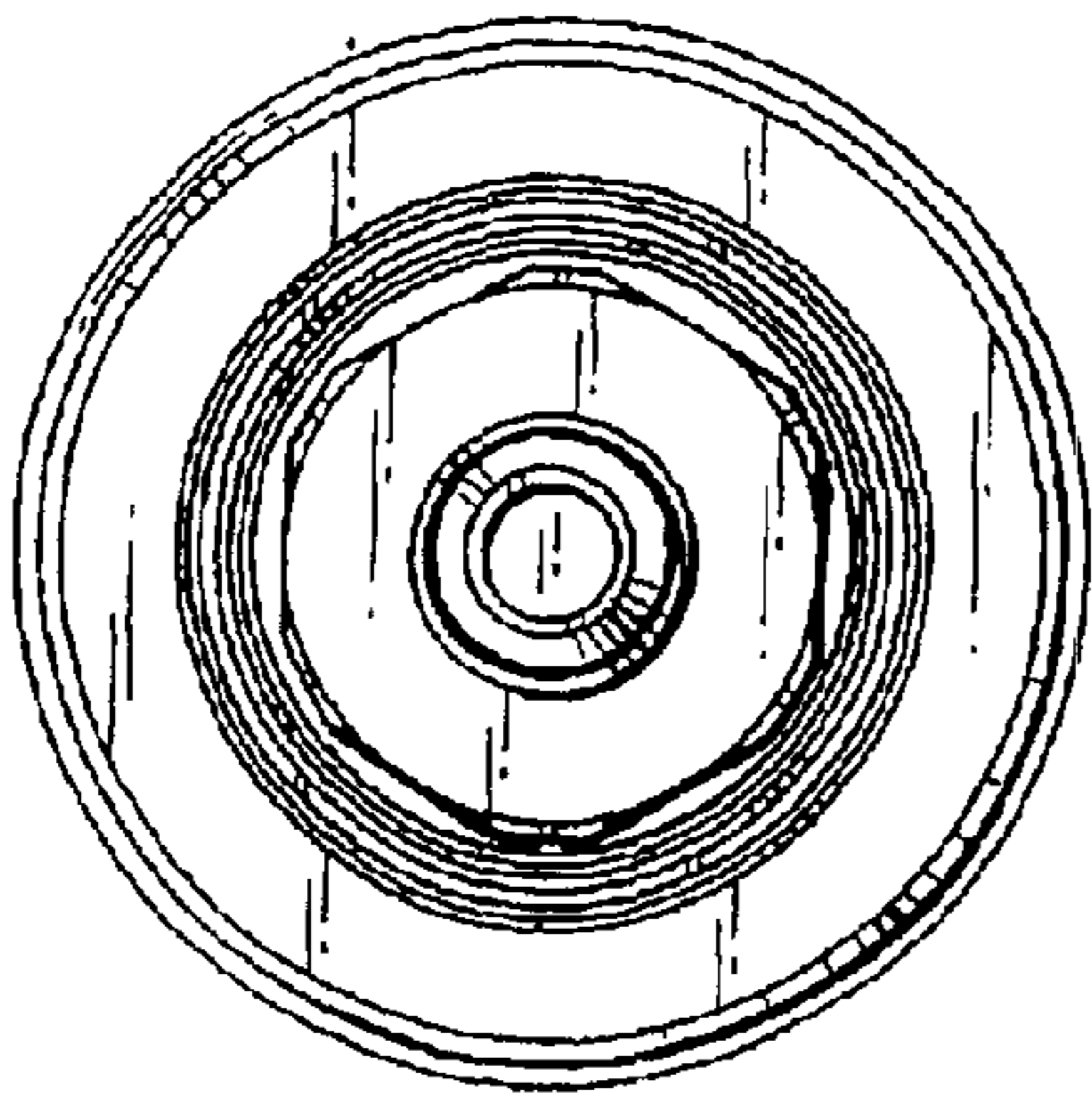


FIG.4

FIG.5

VI ←



VI ←

FIG.6

