

US00D497413S1

(12) **United States Design Patent**  
Nelson et al.

(10) **Patent No.:** **US D497,413 S**  
(45) **Date of Patent:** **\*\* Oct. 19, 2004**

(54) **HOSE LEAD**

(75) Inventors: **Alfred C. Nelson**, Carmel, IN (US);  
**Derek A. Brown**, Avon, IN (US)

(73) Assignee: **Masco Corporation of Indiana**,  
Indianapolis, IN (US)

(\*\*) Term: **14 Years**

(21) Appl. No.: **29/191,087**

(22) Filed: **Oct. 1, 2003**

(51) **LOC (7) Cl.** ..... **23-01**

(52) **U.S. Cl.** ..... **D23/259; D23/260**

(58) **Field of Search** ..... **D23/259, 262,**  
**D23/260; 138/89.1, 89.2, 89.3, 89.4**

(56) **References Cited**

**U.S. PATENT DOCUMENTS**

2,942,625 A \* 6/1960 Costanzo ..... 138/96 R  
D325,775 S \* 4/1992 Hayes ..... D23/262

D455,819 S \* 4/2002 Hoenig ..... D23/259  
D458,353 S \* 6/2002 Chen ..... D23/262  
6,527,301 B1 \* 3/2003 Bathey ..... 285/45

\* cited by examiner

*Primary Examiner*—Robin V. Taylor

(74) *Attorney, Agent, or Firm*—Kwadjo Adusei-Poku;  
Lloyd D. Doigan

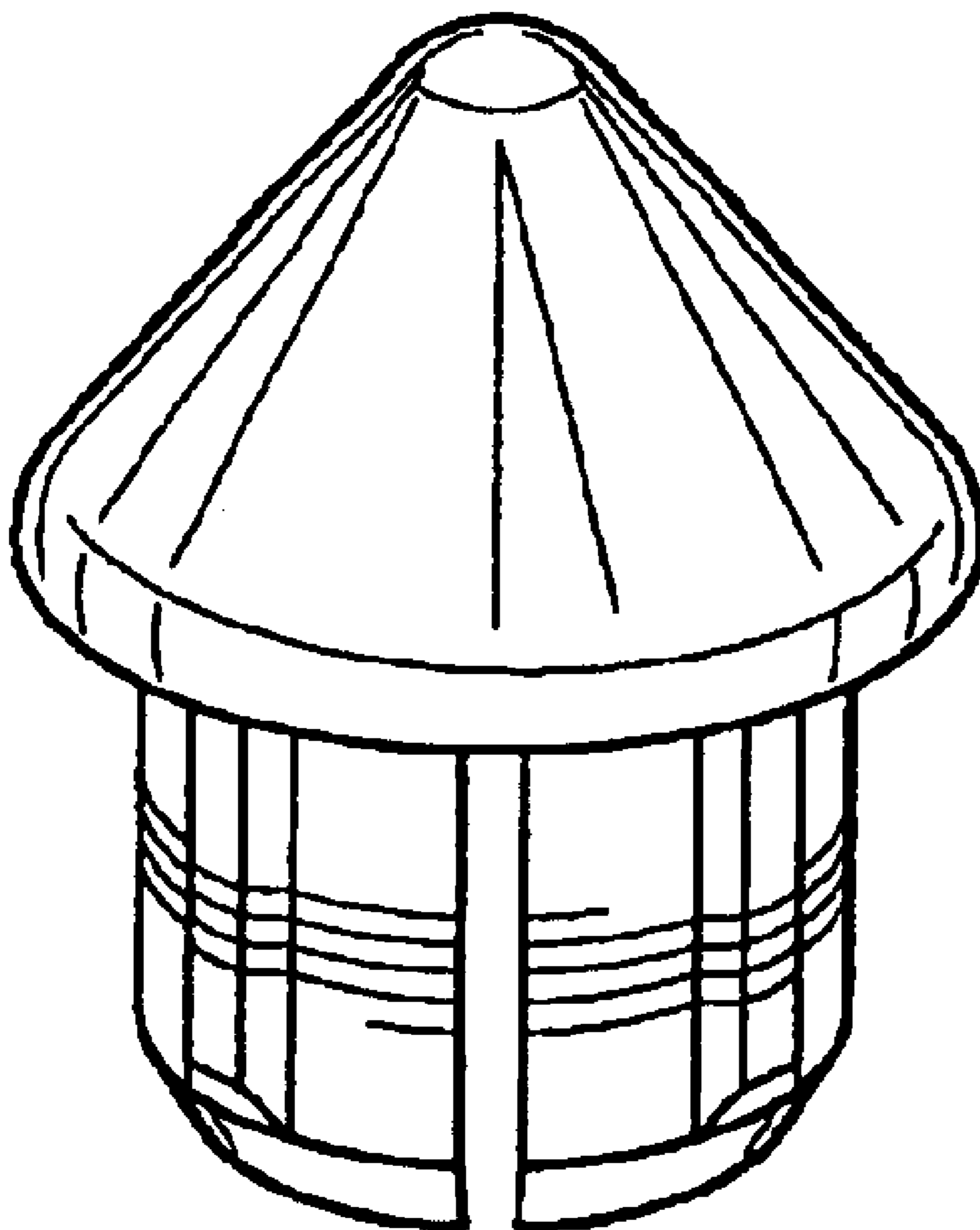
(57) **CLAIM**

The ornamental design for a hose lead, as shown and described.

**DESCRIPTION**

FIG. 1 is a front perspective view of a hose lead showing our new design;  
FIG. 2 is a top plan view thereof;  
FIG. 3 is a bottom plan view thereof;  
FIG. 4 is a front elevational view, the rear elevational view being a mirror image thereof; and,  
FIG. 5 is a side elevational view thereof.

**1 Claim, 1 Drawing Sheet**



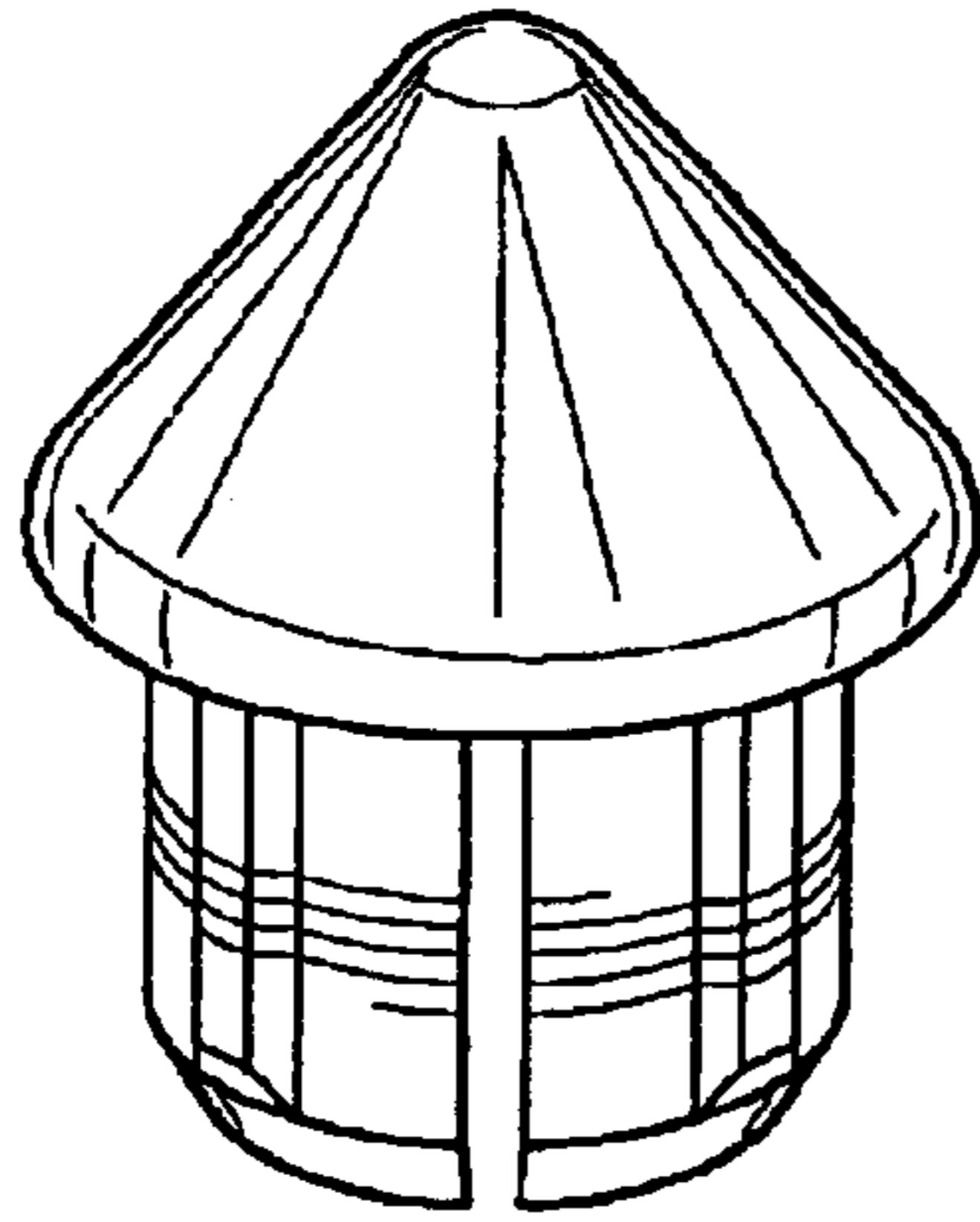


Fig-1

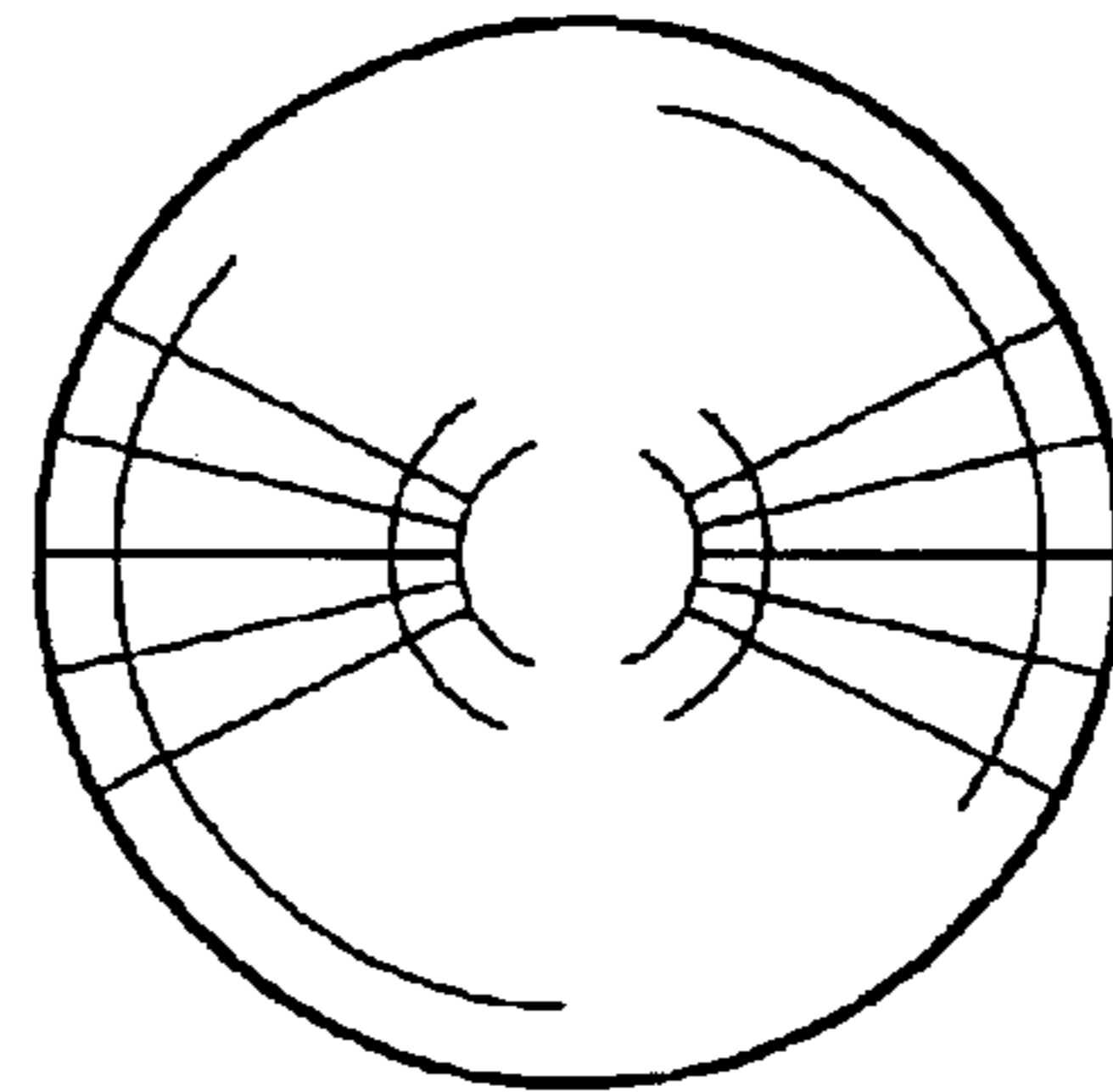


Fig-2

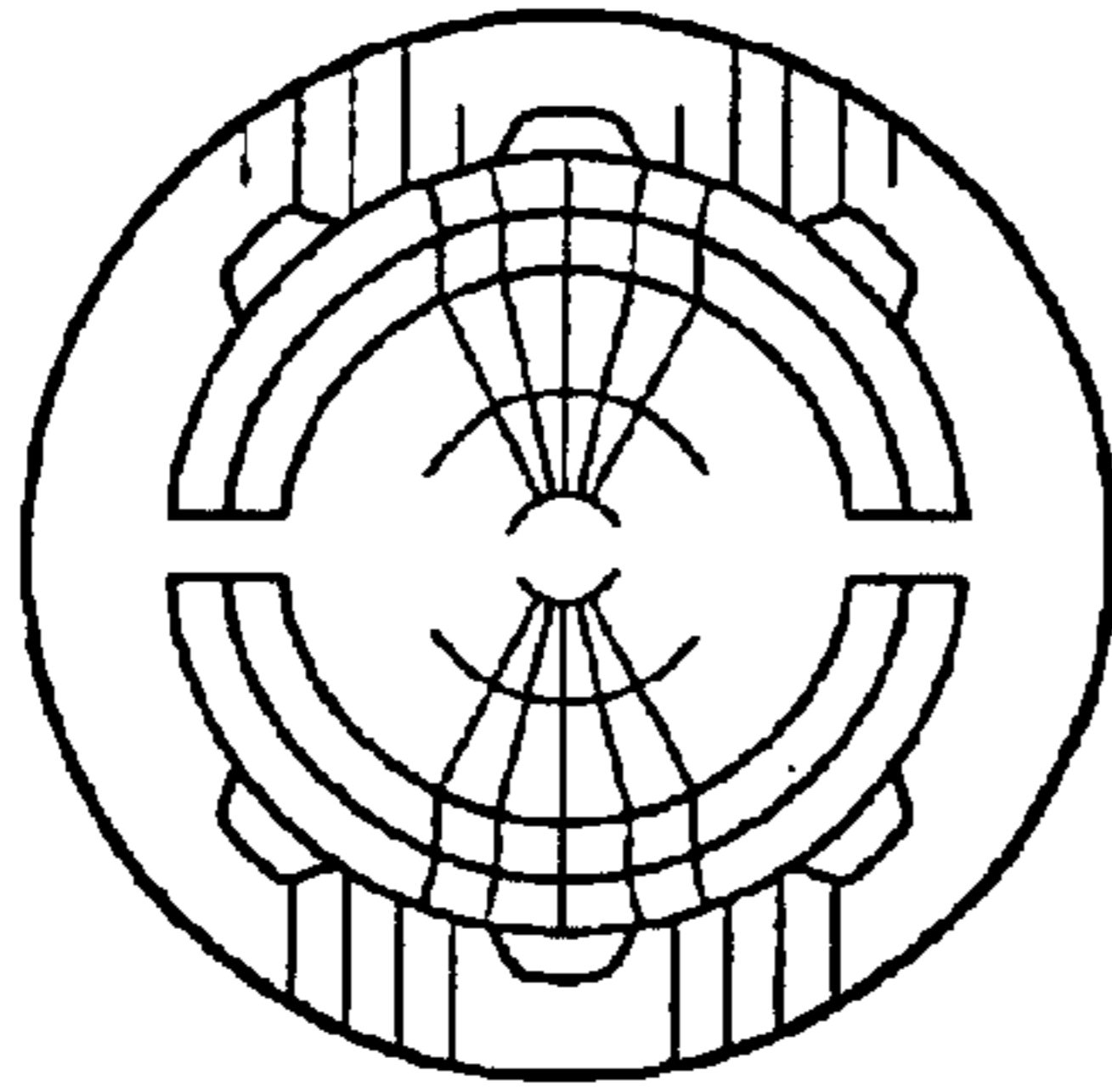


Fig-3

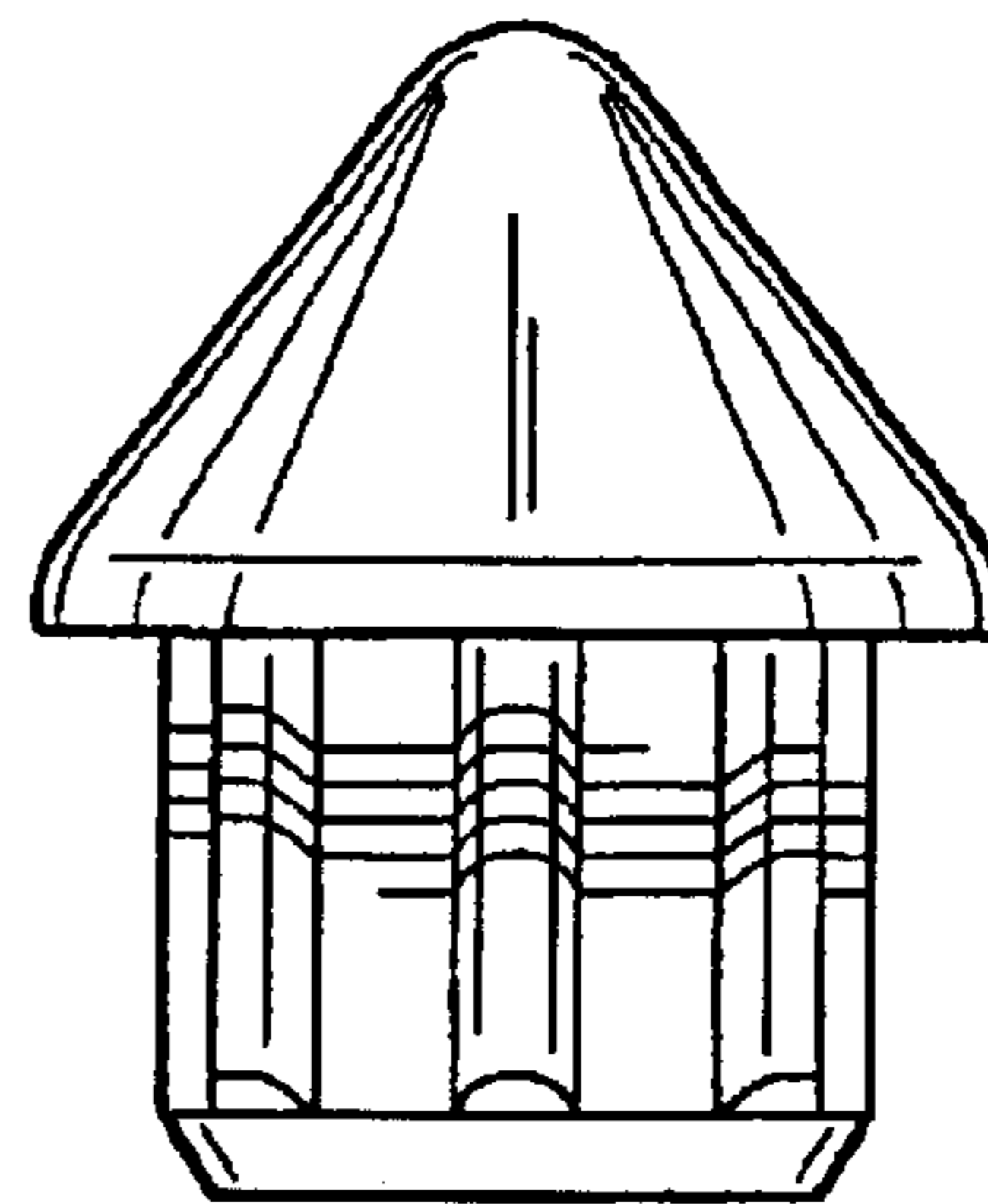


Fig-4

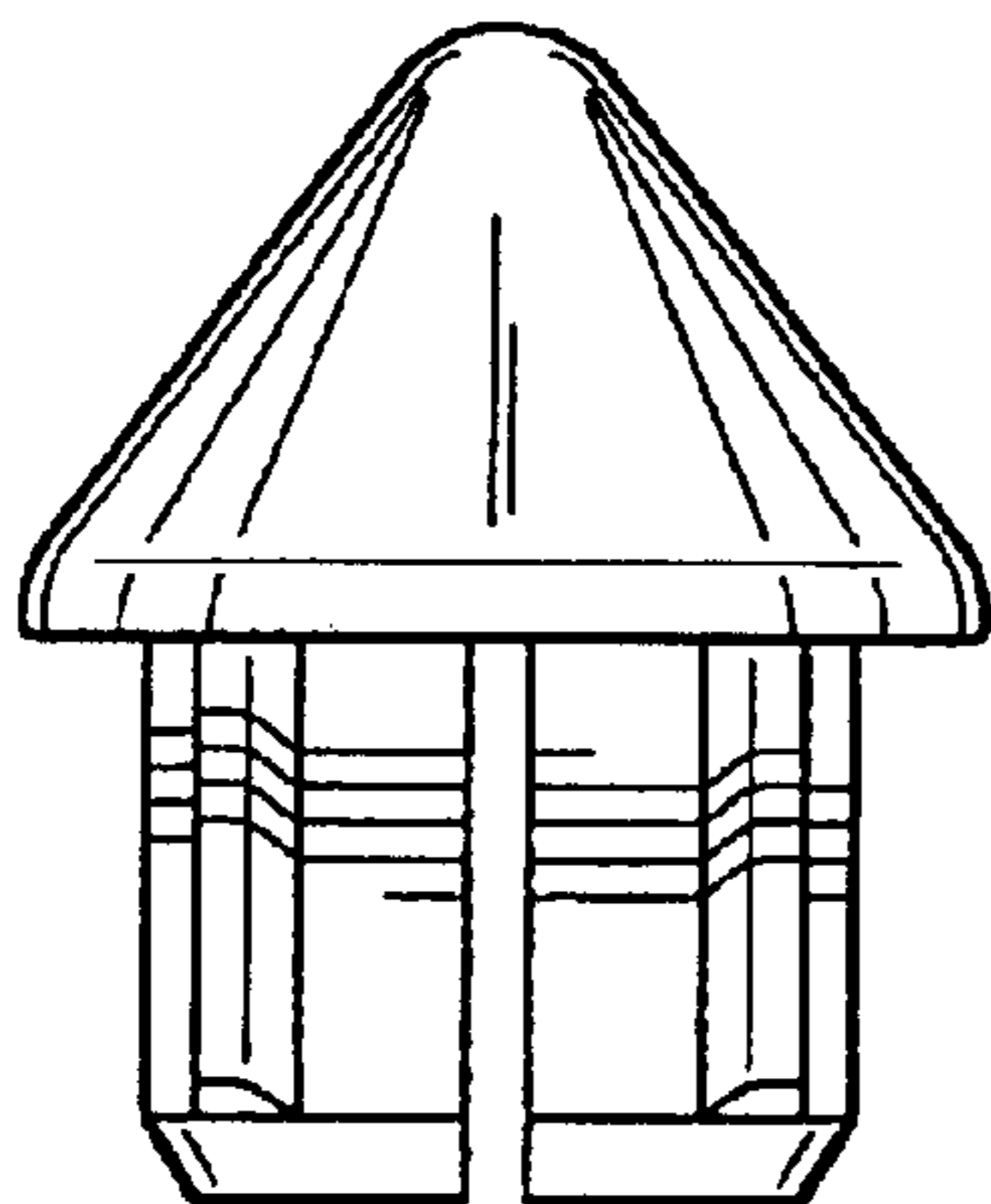


Fig-5