

US00D497412S1

(12) **United States Design Patent**
Nishi et al.

(10) **Patent No.: US D497,412 S**
(45) **Date of Patent: ** Oct. 19, 2004**

(54) **SWITCH VALVE FOR A WATER PURIFIER**

D360,677 S * 7/1995 Ledbetter et al. D23/235
D393,052 S * 3/1998 Lobermeier D23/250
5,881,770 A * 3/1999 Neill et al. 137/625.11

(75) Inventors: **Atsuko Nishi**, Tokyo (JP); **Masahiko Taneike**, Nagoya (JP)

FOREIGN PATENT DOCUMENTS

(73) Assignee: **Mitsubishi Rayon Co., Ltd.**, Tokyo (JP)

JP 1158522 S 11/2002
JP 1158704 S 11/2002

(**) Term: **14 Years**

* cited by examiner

(21) Appl. No.: **29/191,763**

Primary Examiner—Nelson C. Holtje

(22) Filed: **Oct. 13, 2003**

(74) *Attorney, Agent, or Firm*—Darby & Darby

(30) **Foreign Application Priority Data**

(57) **CLAIM**

Apr. 17, 2003 (JP) 2003-010936

The ornamental design for a switch valve for a water purifier, as shown and described.

(51) **LOC (7) Cl.** **23-01**

DESCRIPTION

(52) **U.S. Cl.** **D23/245**

(58) **Field of Search** D23/233, 245,
D23/247–249; 137/625.46, 625.47; 210/169,
278, 425

FIG. 1 is a perspective view of a switch valve for a water purifier showing our new design;
FIG. 2 is a front view thereof;
FIG. 3 is a rear view thereof;
FIG. 4 is a left side view thereof;
FIG. 5 is a right side view thereof;
FIG. 6 is a top plan view thereof;
FIG. 7 is a bottom plan view thereof; and,
FIG. 8 is a perspective view of a switch valve for a water purifier showing our new design in use and how the handle rotates.

(56) **References Cited**

U.S. PATENT DOCUMENTS

2,825,363 A * 3/1958 Bird 137/627.5
3,513,981 A * 5/1970 Mendelow 210/411
3,828,932 A * 8/1974 Schneer 210/169
4,105,555 A * 8/1978 Pease 210/136
D287,995 S * 1/1987 Ferguson D23/245
4,652,369 A * 3/1987 DePolo et al. 210/169
4,674,538 A * 6/1987 Yes 137/625.46
5,055,641 A * 10/1991 Richards 200/81.9 M

The broken lines are for illustrative purposes only and form no part of the claimed design.

1 Claim, 4 Drawing Sheets

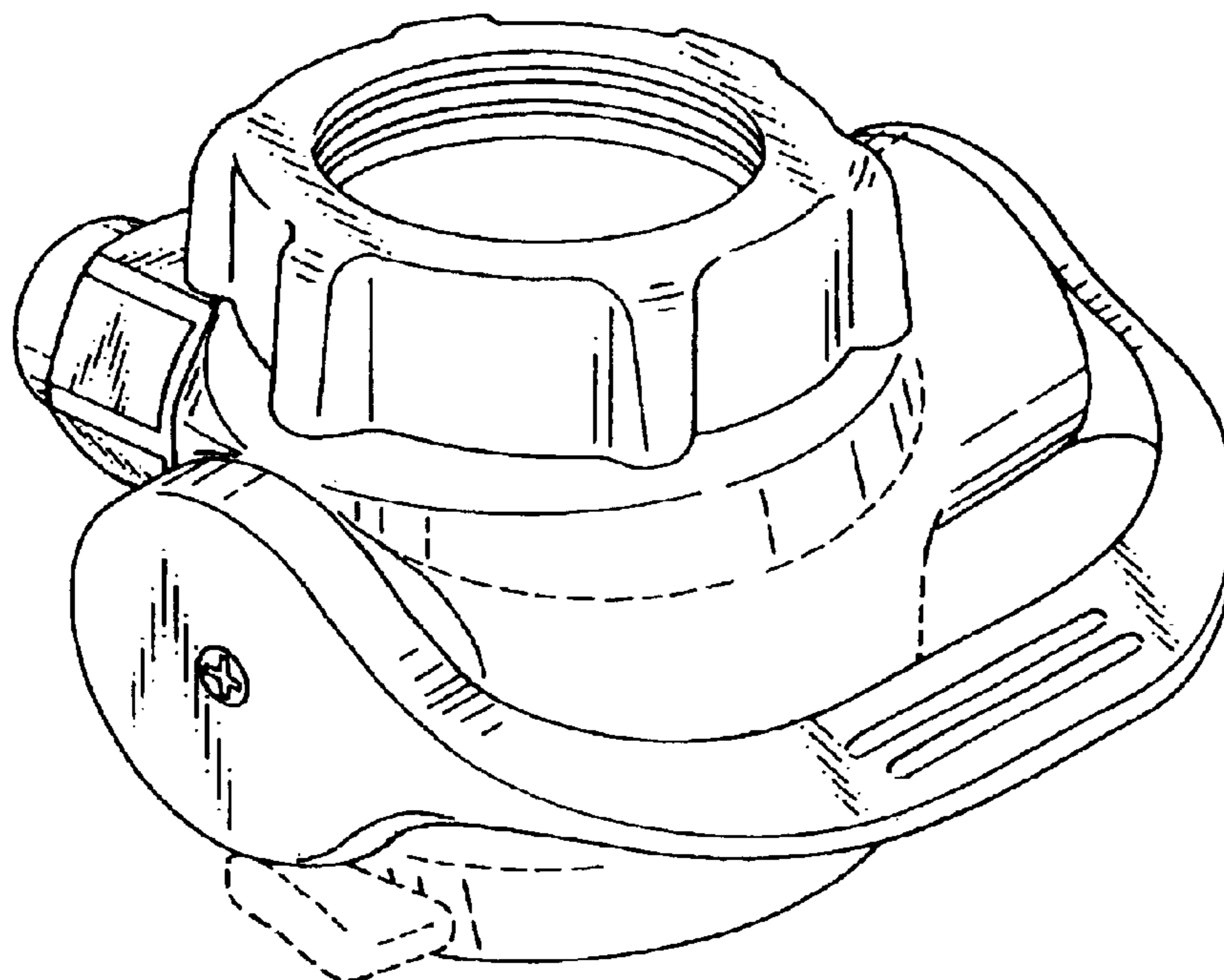


Fig.1

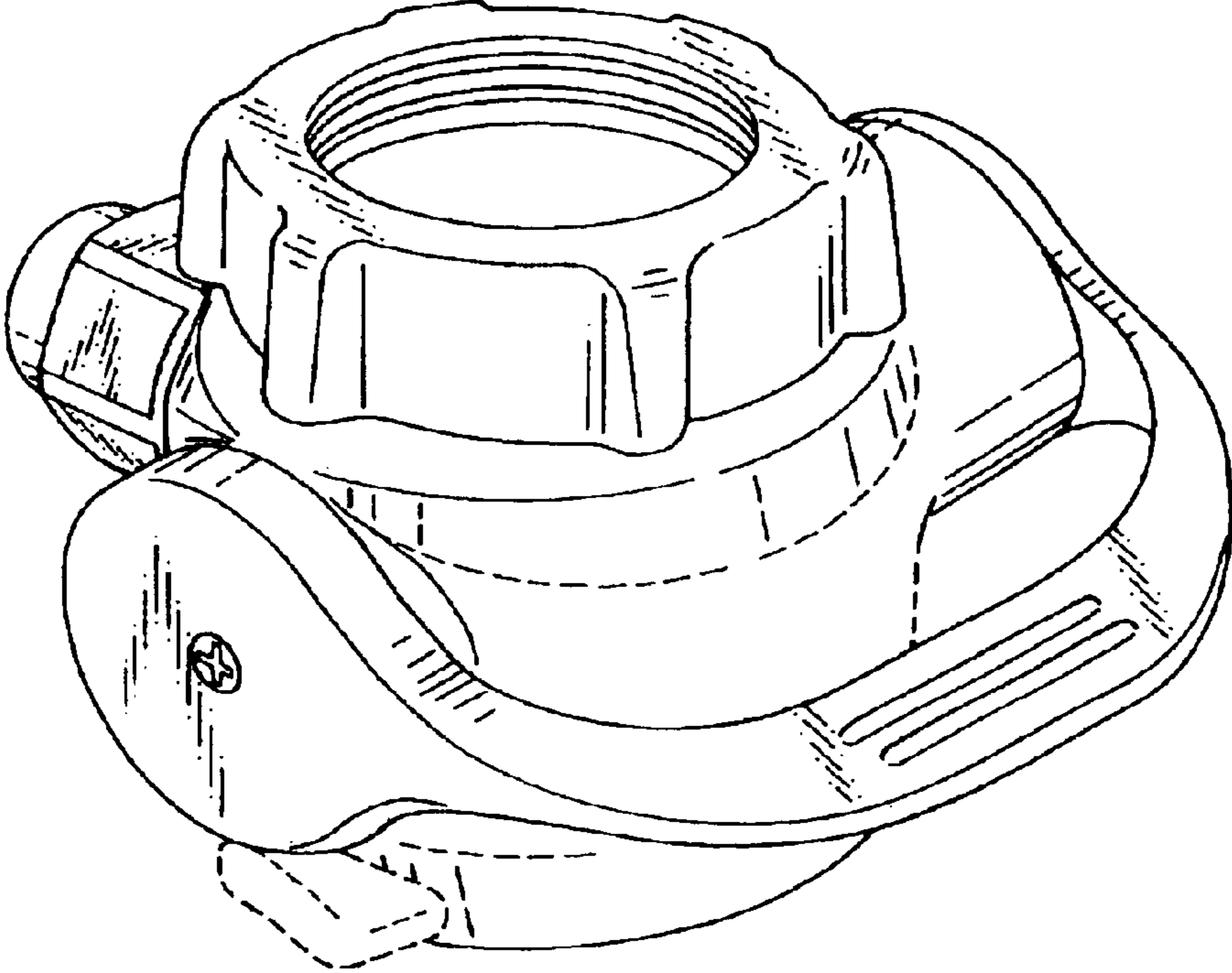


Fig.2

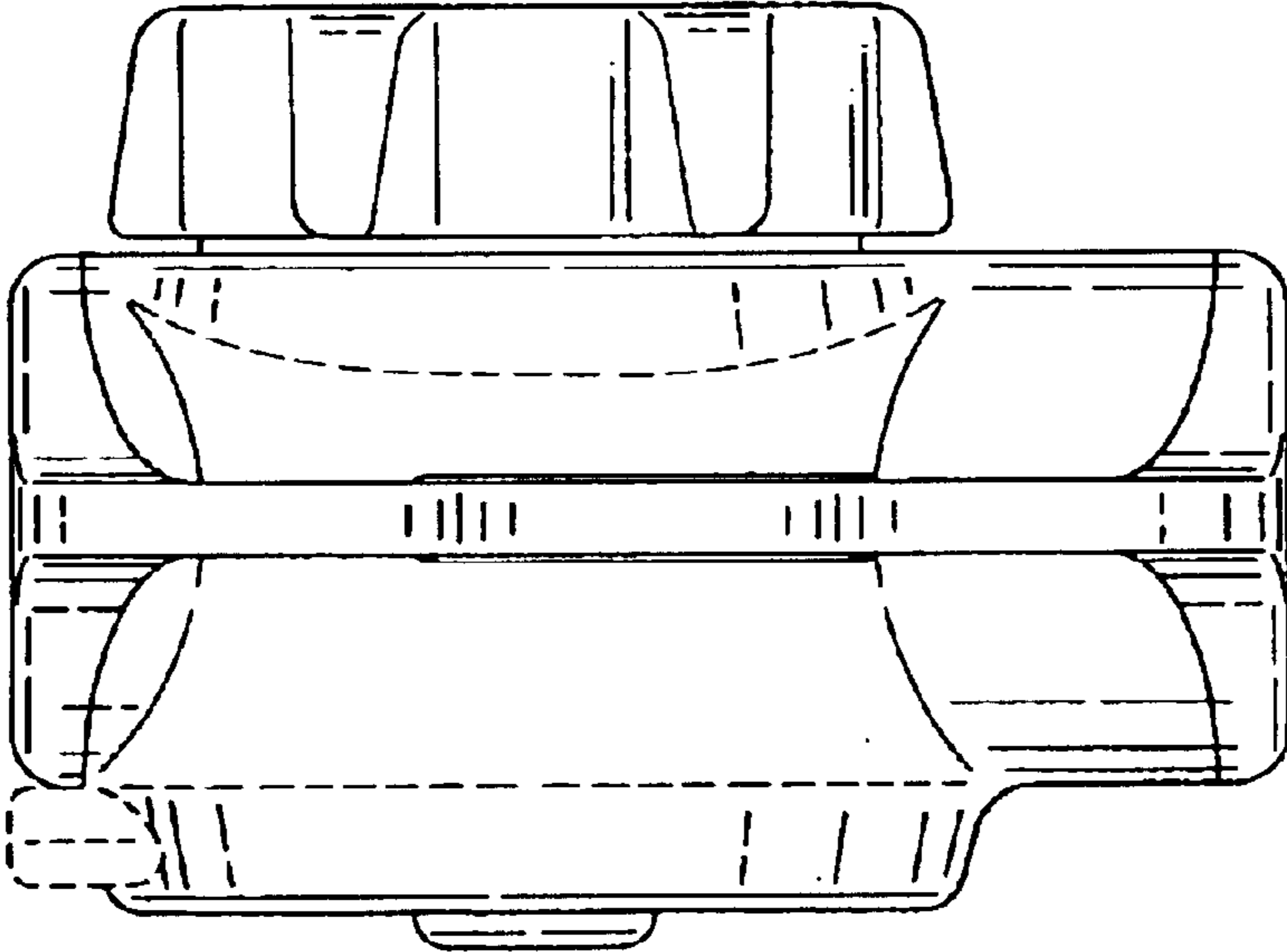


Fig.3

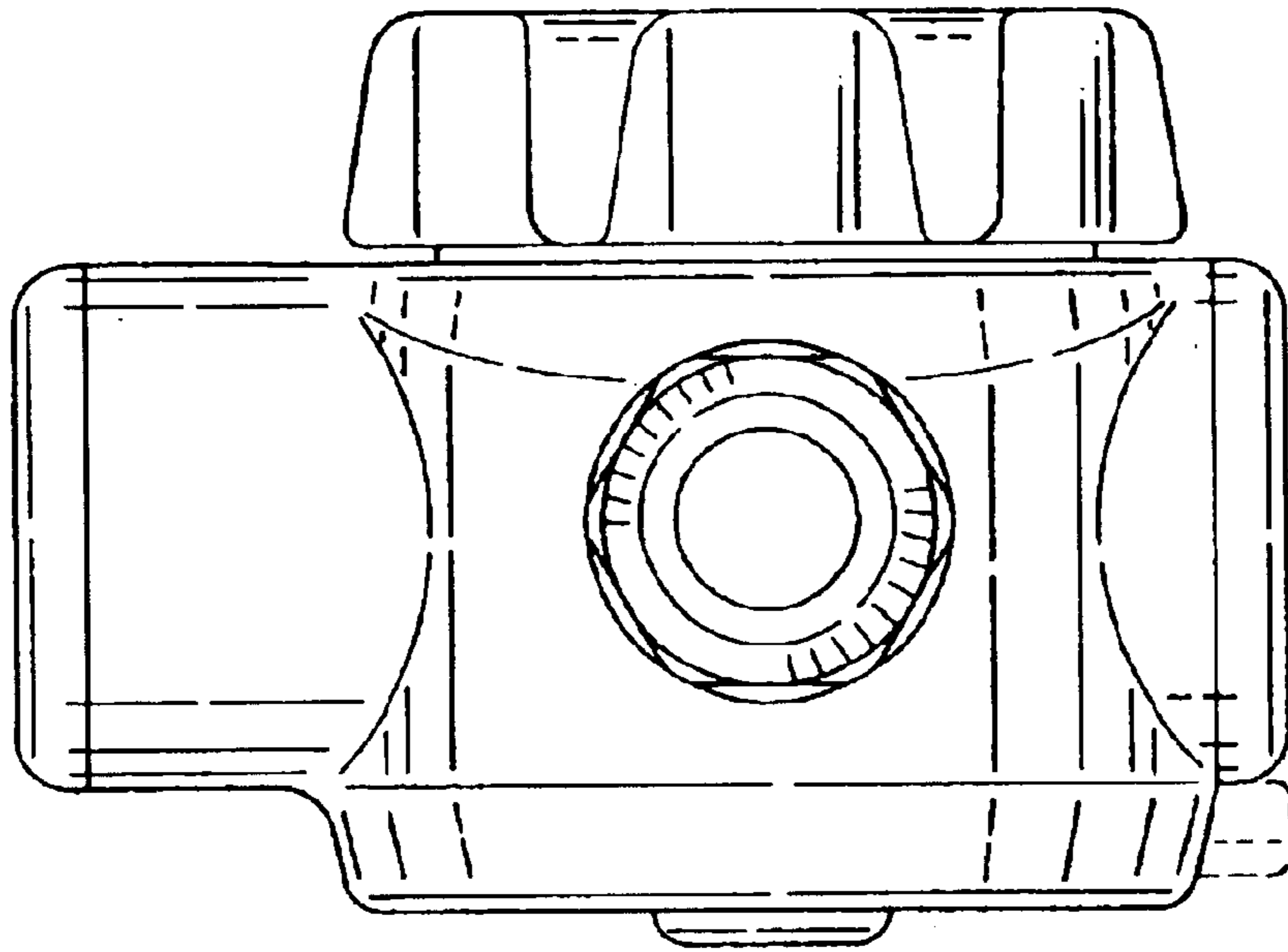


Fig.4

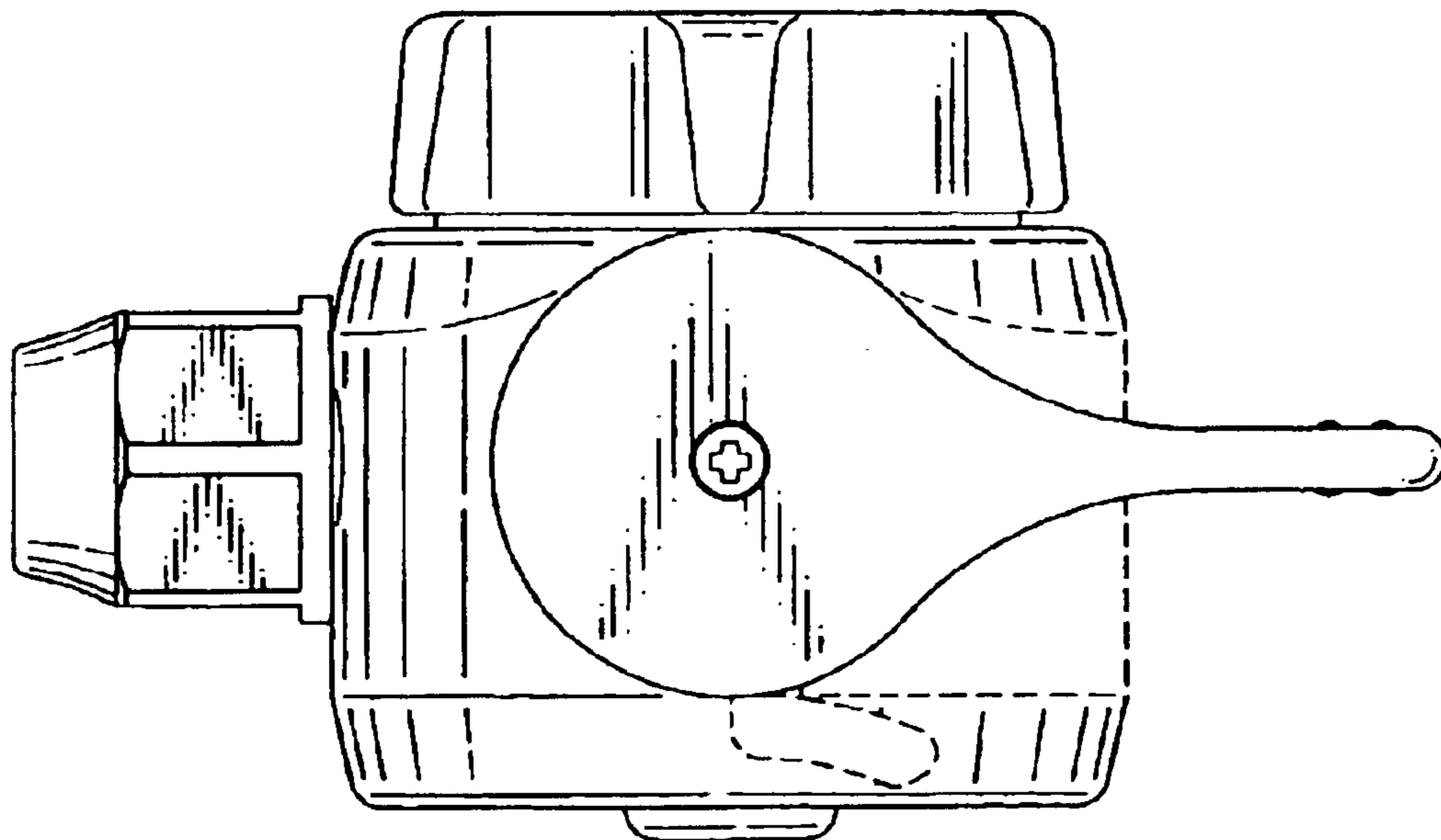


Fig.5

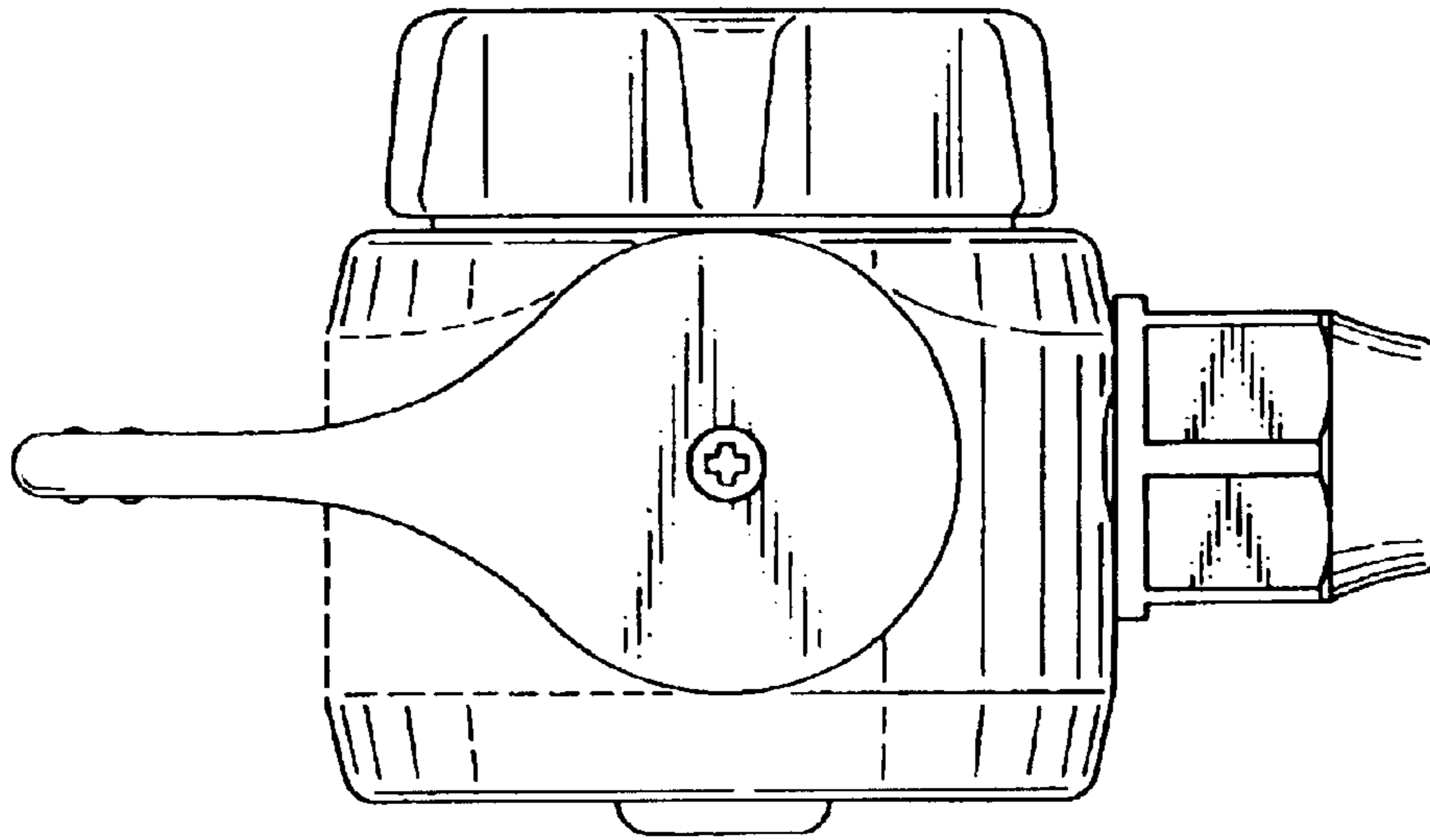


Fig.6

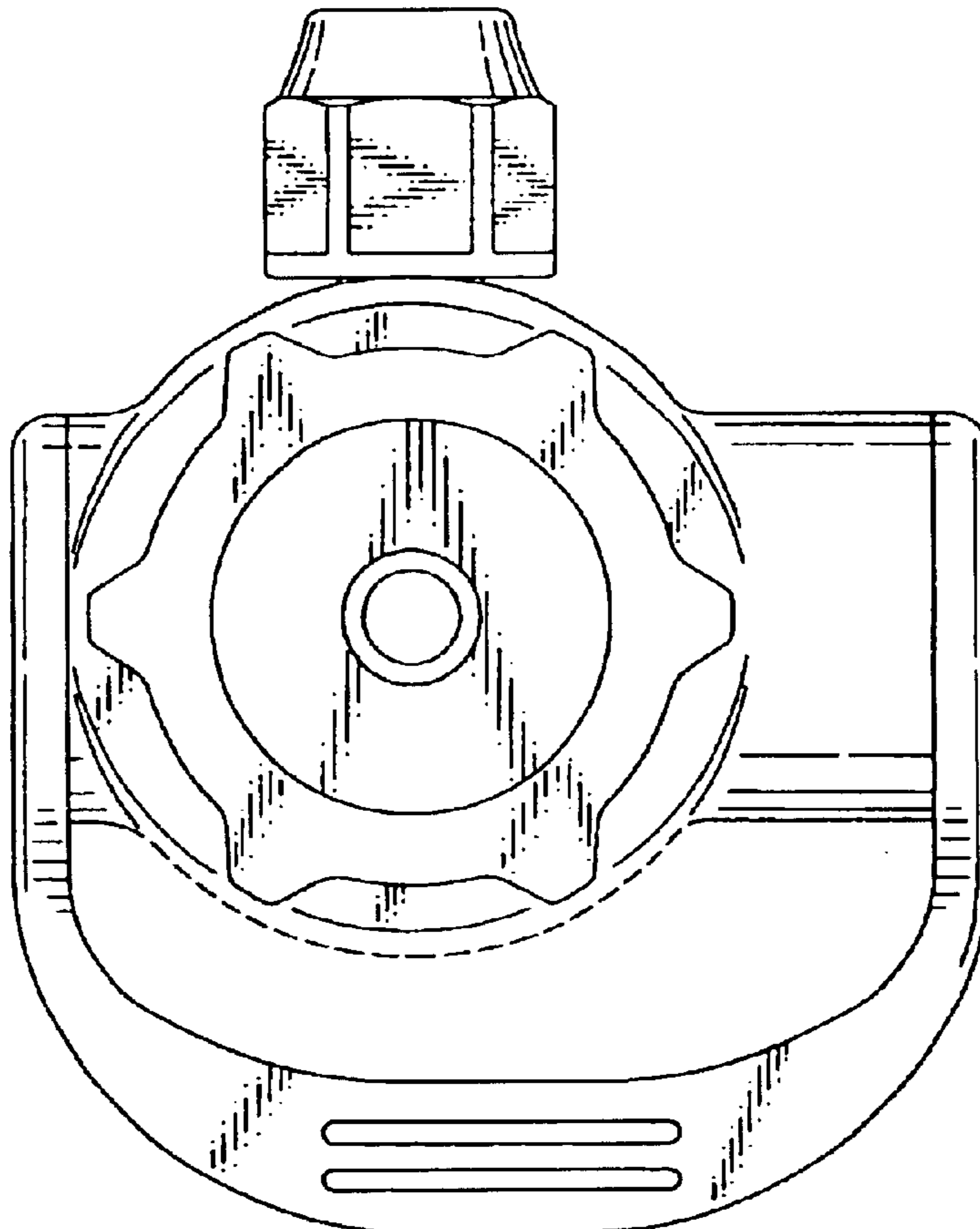


Fig.7

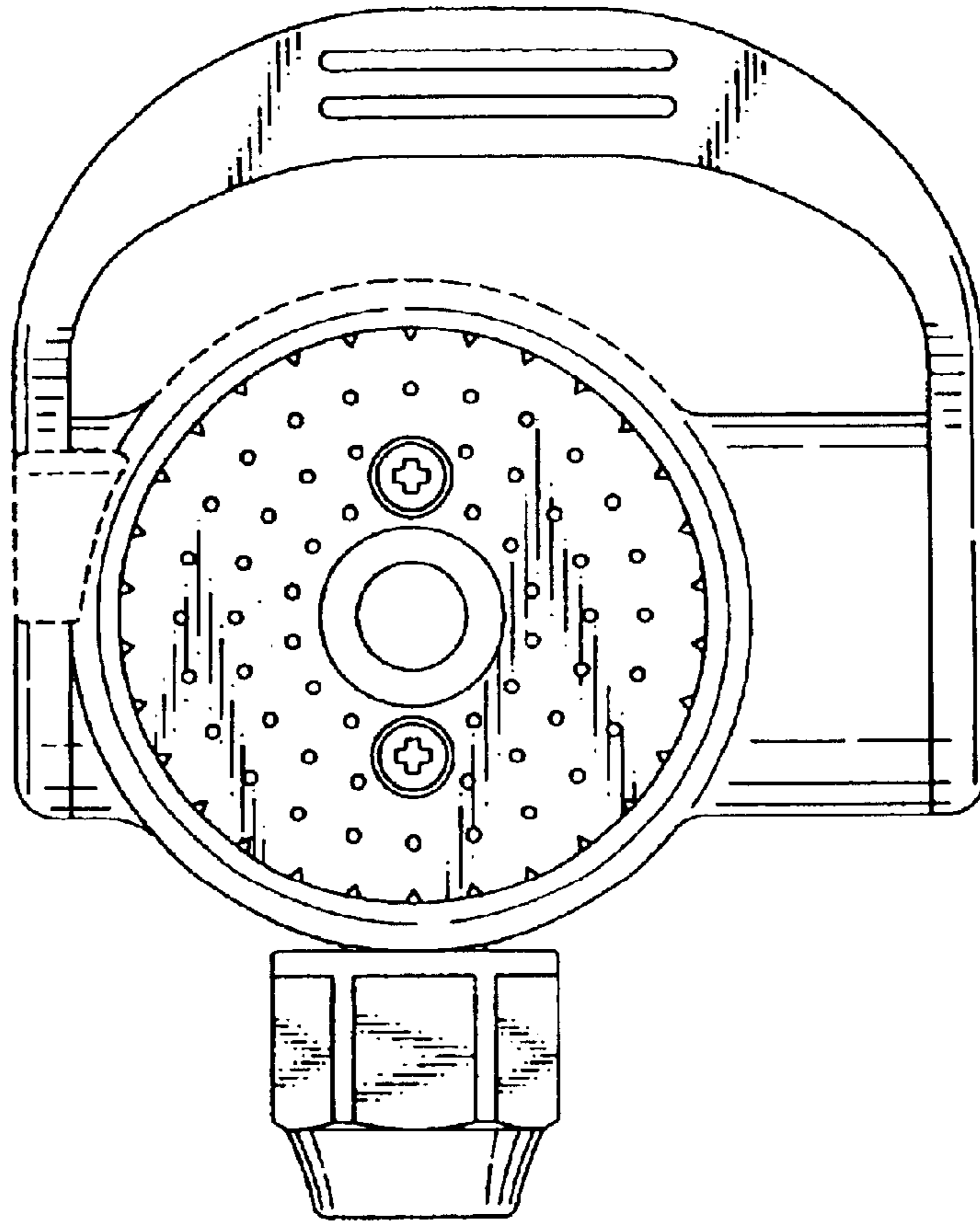


Fig.8

