

US00D497409S1

(12) **United States Design Patent**  
**Valfridsson**

(10) **Patent No.:** **US D497,409 S**  
(45) **Date of Patent:** **\*\* Oct. 19, 2004**

(54) **FAUCET FOR A WATER PURIFIER**

(75) Inventor: **Stefan Valfridsson, Jönköping (SE)**

(73) Assignee: **Aktiebolaget Electrolux, Stockholm (SE)**

(\*\*) Term: **14 Years**

(21) Appl. No.: **29/139,444**

(22) Filed: **Mar. 30, 2001**

(51) **LOC (7) Cl.** ..... **23-01**

(52) **U.S. Cl.** ..... **D23/238; D23/255**

(58) **Field of Search** ..... **D23/238-257;**  
**4/675-678; 137/801**

(56) **References Cited**

**U.S. PATENT DOCUMENTS**

|            |   |         |              |       |         |
|------------|---|---------|--------------|-------|---------|
| D320,645 S | * | 10/1991 | Knapp et al. | ..... | D23/238 |
| D337,812 S | * | 7/1993  | Bray         | ..... | D23/238 |
| D373,815 S | * | 9/1996  | Chaney       | ..... | D23/241 |
| D415,560 S | * | 10/1999 | Lindholm     | ..... | D23/238 |

\* cited by examiner

*Primary Examiner*—Louis S. Zarfes

*Assistant Examiner*—Gregory Andoll

(74) *Attorney, Agent, or Firm*—Pearne & Gordon LLP

(57) **CLAIM**

The ornamental design for a faucet for a water purifier, as shown and described.

**DESCRIPTION**

FIG. 1 is a first perspective view, showing my new faucet for a water purifier in a sink mounted configuration;

FIG. 2 is a second perspective view thereof;

FIG. 3 is a right side elevation view thereof;

FIG. 4 is a rear elevation view thereof;

FIG. 5 is a top plan view thereof;

FIG. 6 is a front elevation view thereof; and,

FIG. 7 is a bottom plan view thereof.

The broken line showing of the sink and mounting structure in FIG. 1 is for illustrative purposes only and forms no part of the claimed design.

**1 Claim, 2 Drawing Sheets**

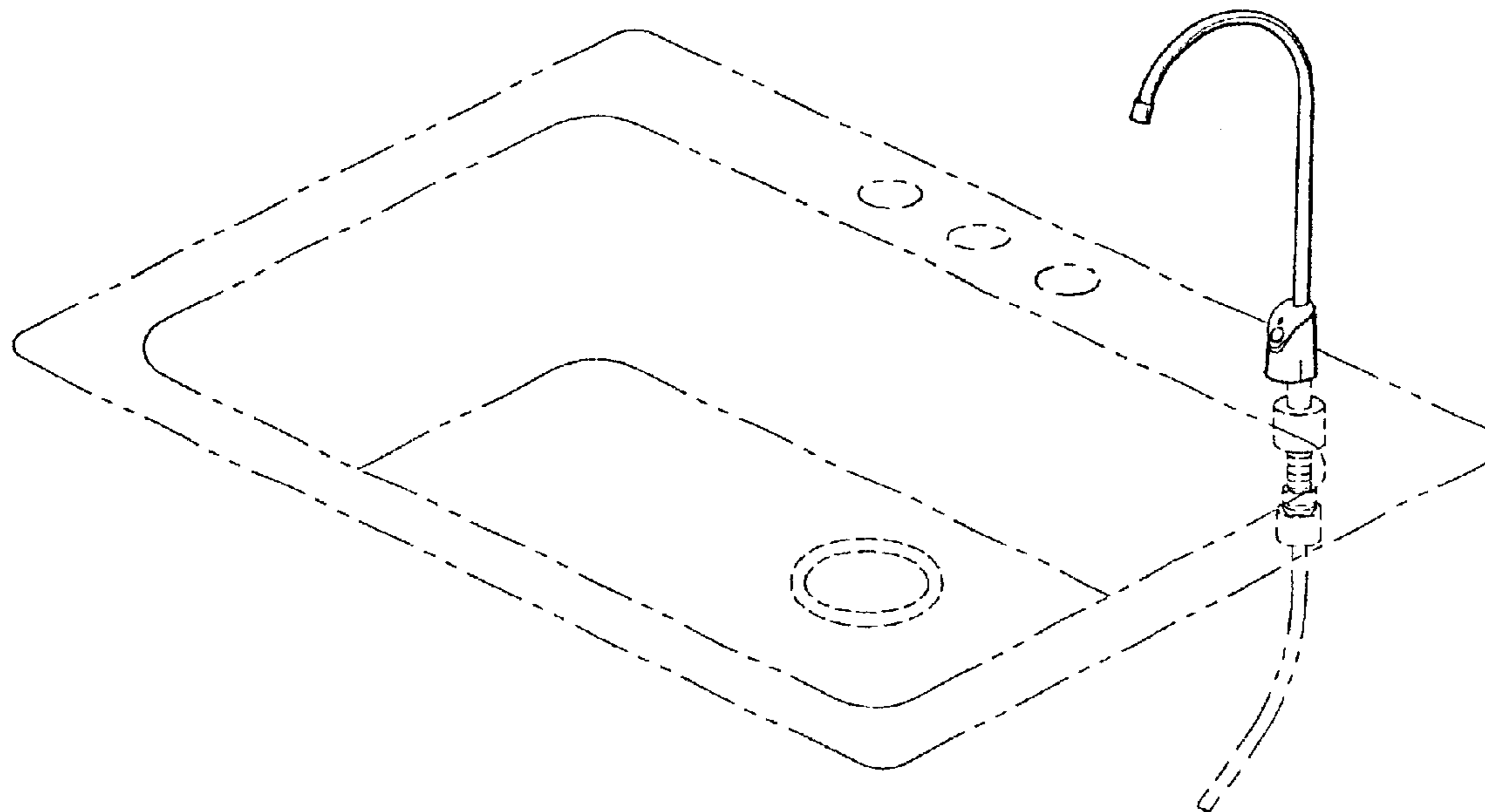


FIG. 1

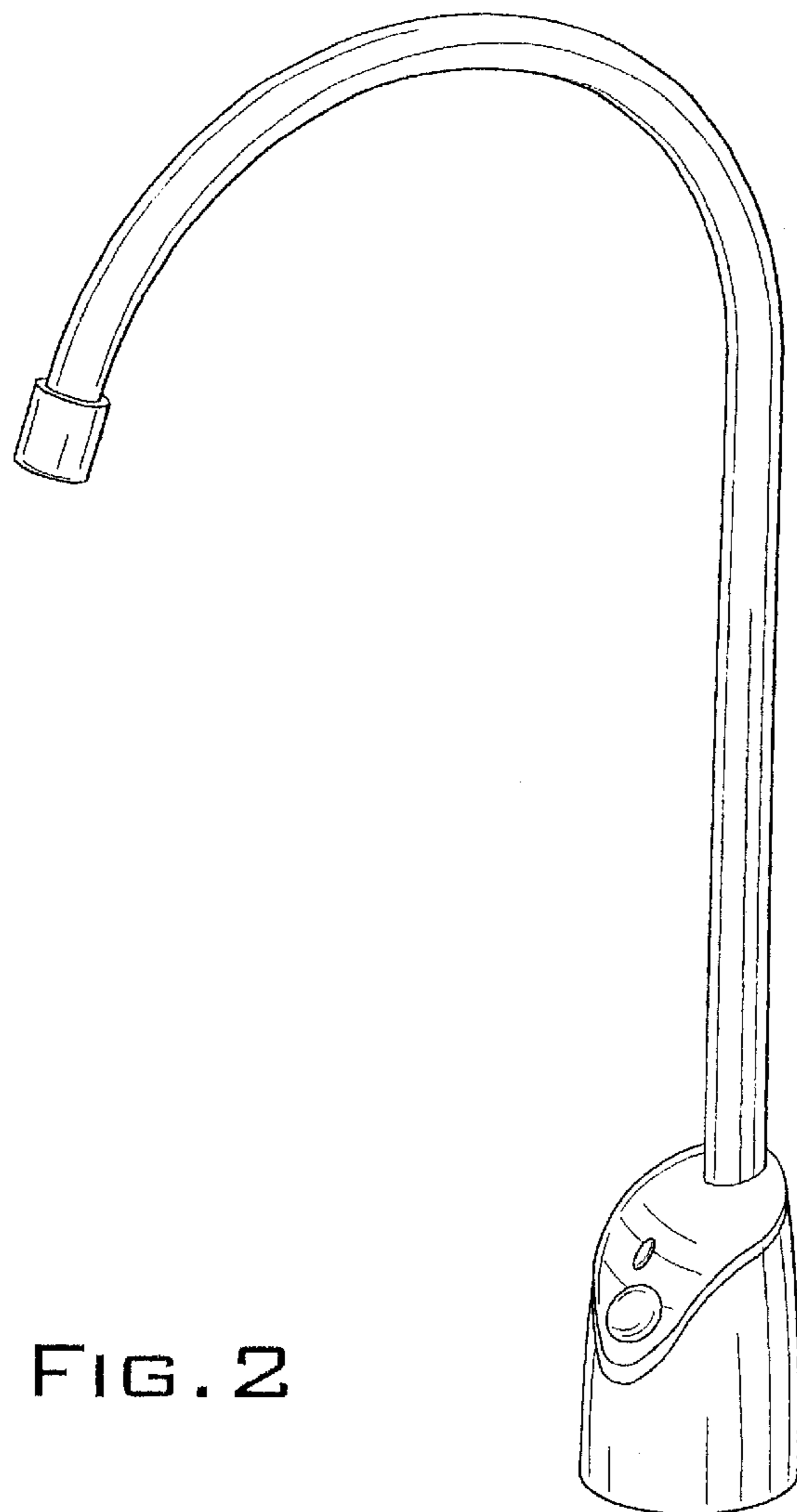
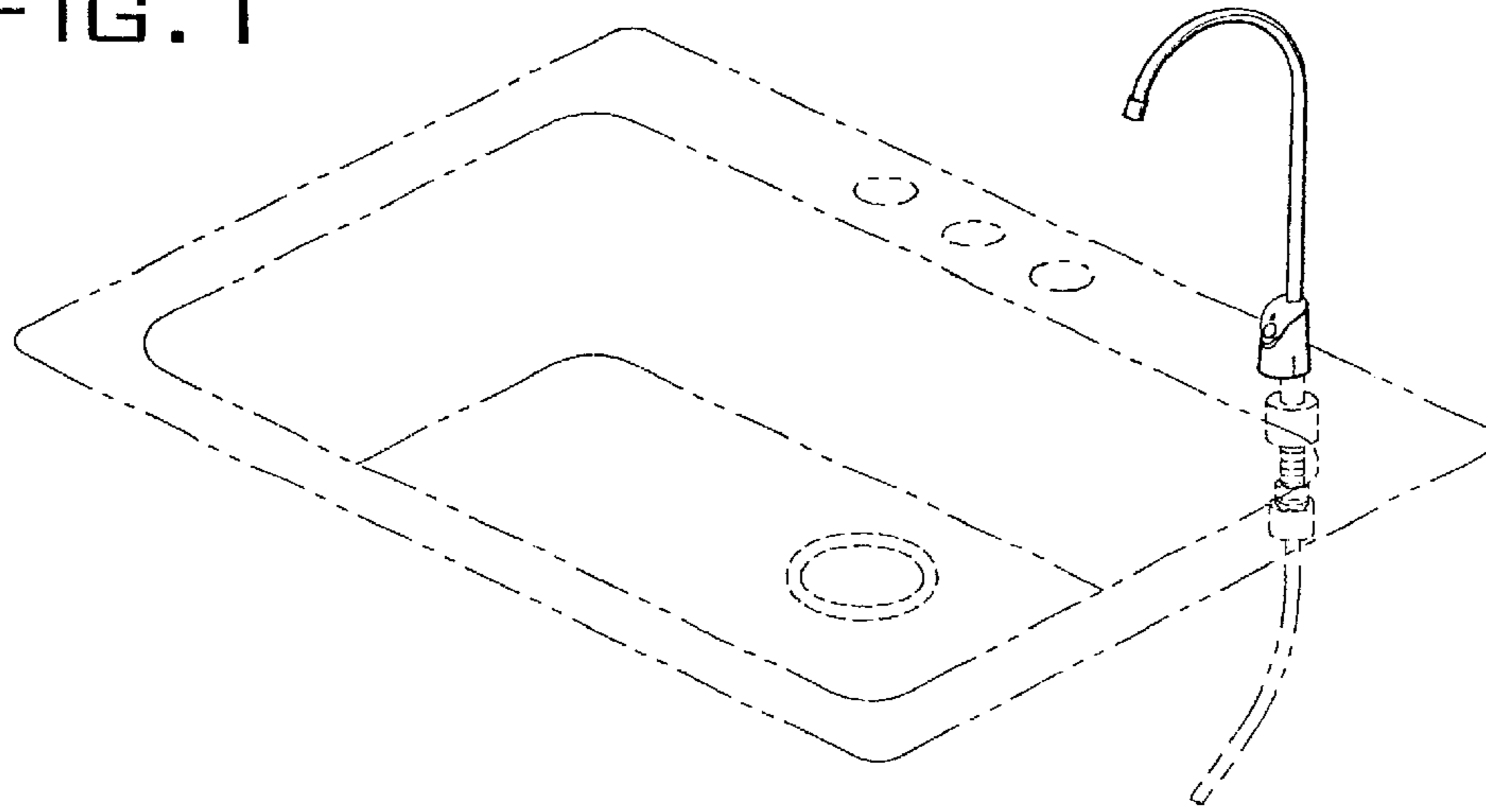


FIG. 2

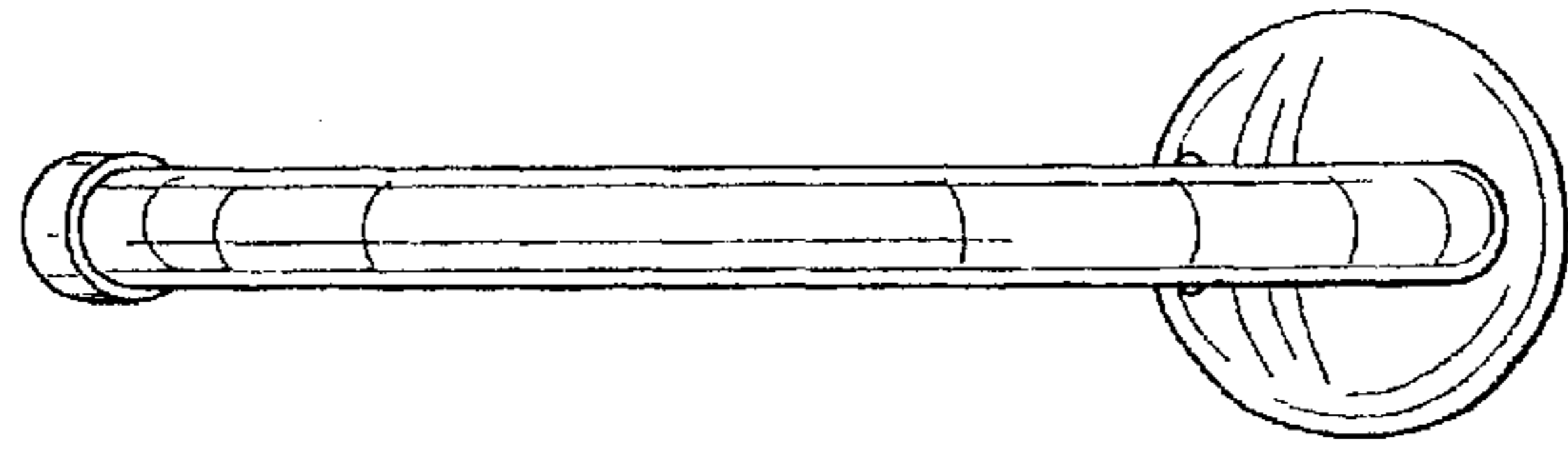


FIG. 5

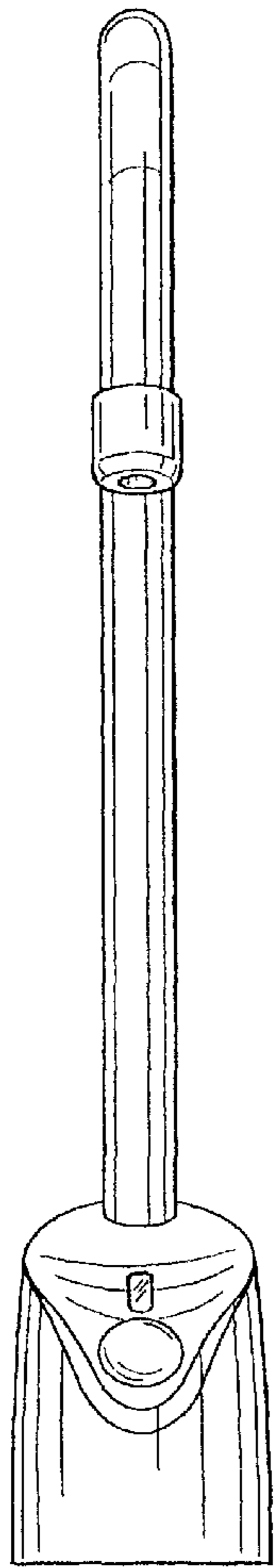


FIG. 6

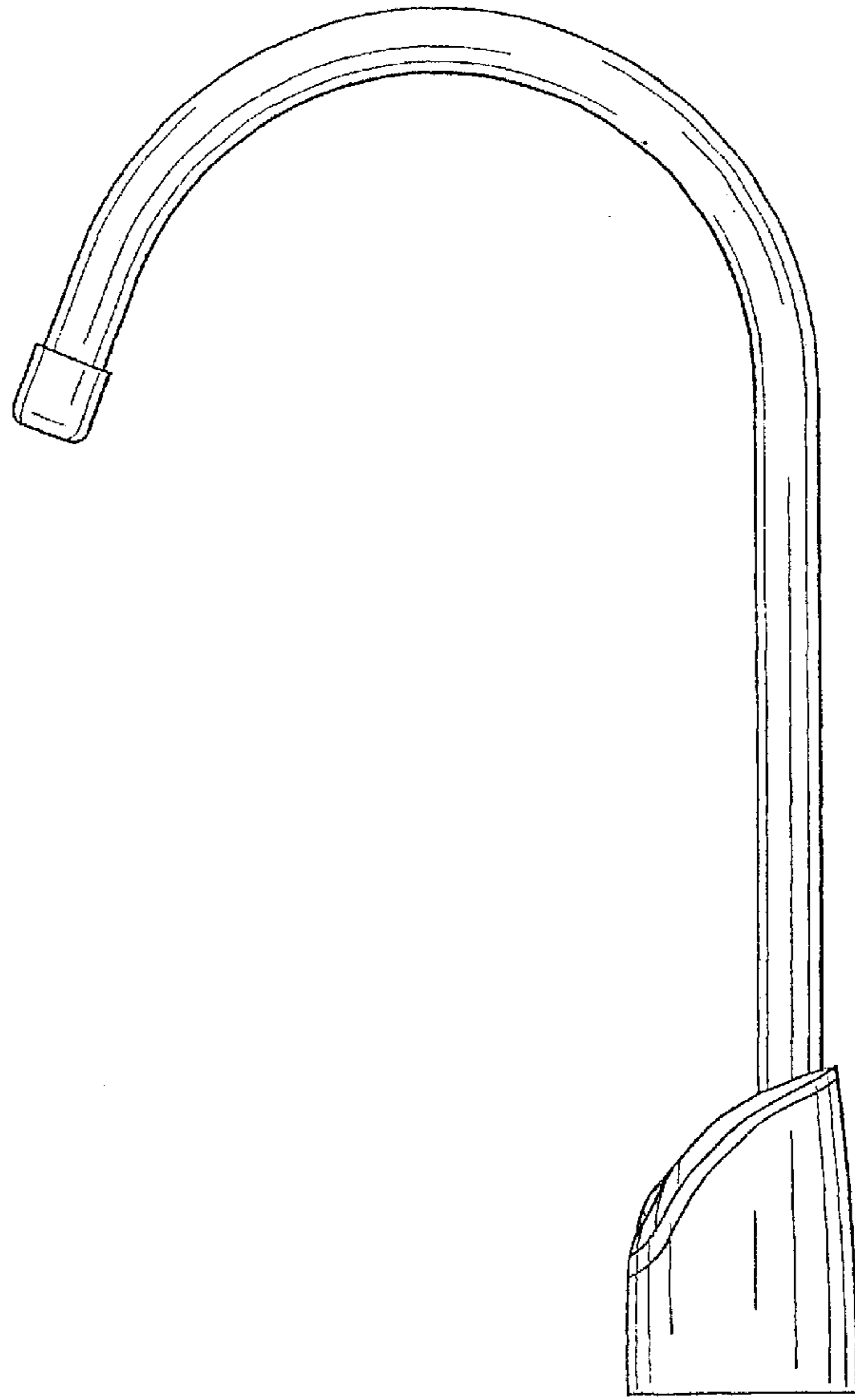


FIG. 3

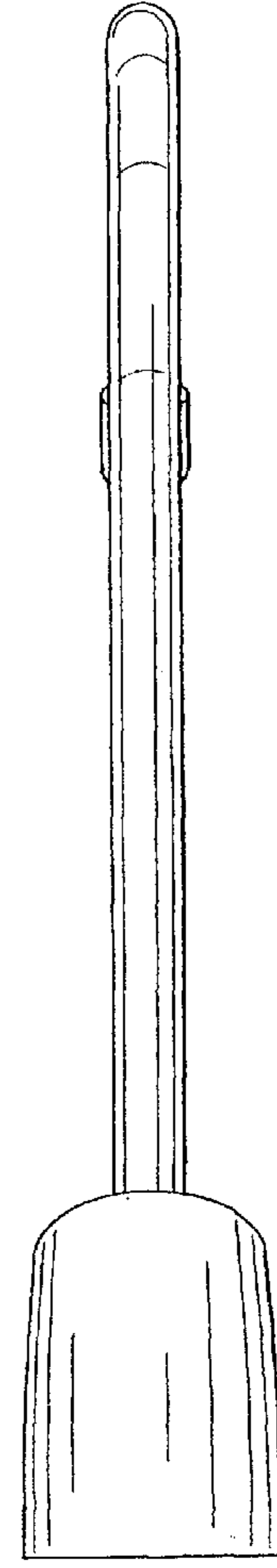


FIG. 4

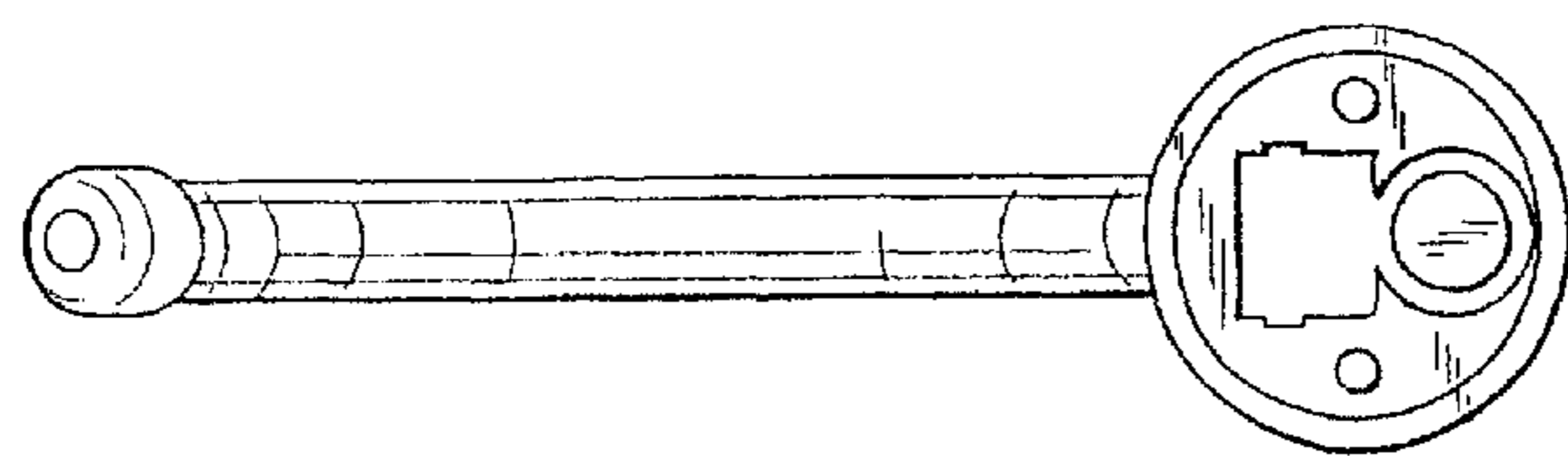


FIG. 7