



US00D497408S1

(12) **United States Design Patent**
Wu et al.

(10) **Patent No.:** **US D497,408 S**
(45) **Date of Patent:** **** Oct. 19, 2004**

(54) **SHOWER HEAD**

D433,100 S * 10/2000 Chan D23/229
D463,844 S * 10/2002 Farley D23/229

(76) Inventors: **James Wu**, No. 1, Alley 16, Lane 40,
Jinn Te Rd., Taichung (TW); **Hank**
Her, No. 1, Alley 16, Lane 40, Jinn Te
Rd., Taichung (TW)

* cited by examiner

Primary Examiner—Robin V. Taylor

(**) Term: **14 Years**

(57) **CLAIM**

The ornamental design for a shower head, as shown and described.

(21) Appl. No.: **29/190,388**

(22) Filed: **Sep. 16, 2003**

DESCRIPTION

(51) **LOC (7) Cl.** **23-01**

(52) **U.S. Cl.** **D23/229**

(58) **Field of Search** D23/213, 229,
D23/230; 239/282, 283

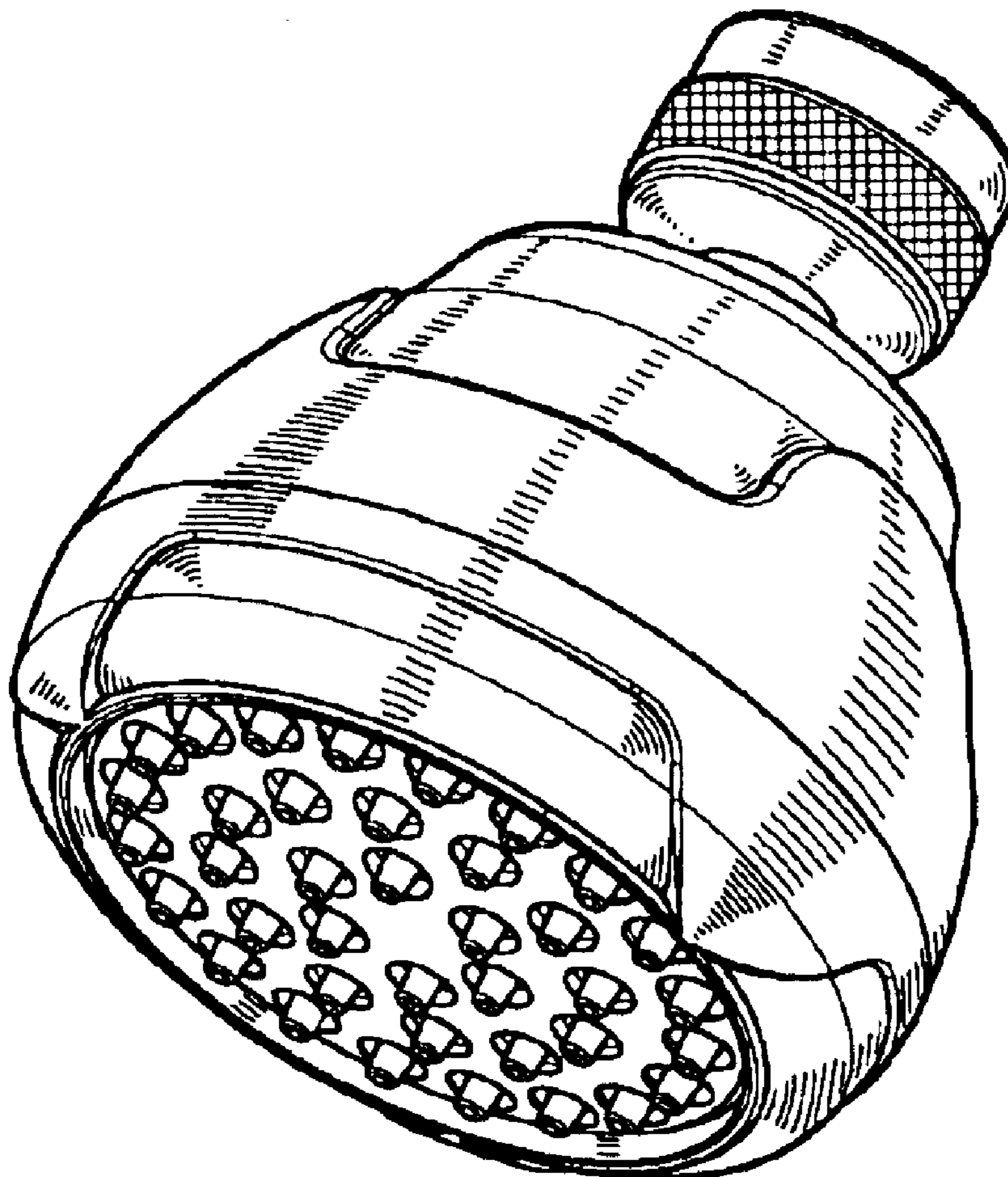
FIG. 1 is a front-right-top perspective view of a shower head, showing my new design;
FIG. 2 is a front elevational view thereof;
FIG. 3 is a rear elevational view thereof;
FIG. 4 is a left side elevational view thereof;
FIG. 5 is a right side elevational view thereof;
FIG. 6 is a top plan view thereof; and,
FIG. 7 is a bottom plan view thereof.

(56) **References Cited**

U.S. PATENT DOCUMENTS

D323,545 S * 1/1992 Ward D23/213
D375,541 S * 11/1996 Michaluk D23/213
D432,210 S * 10/2000 Tse D23/229

1 Claim, 7 Drawing Sheets



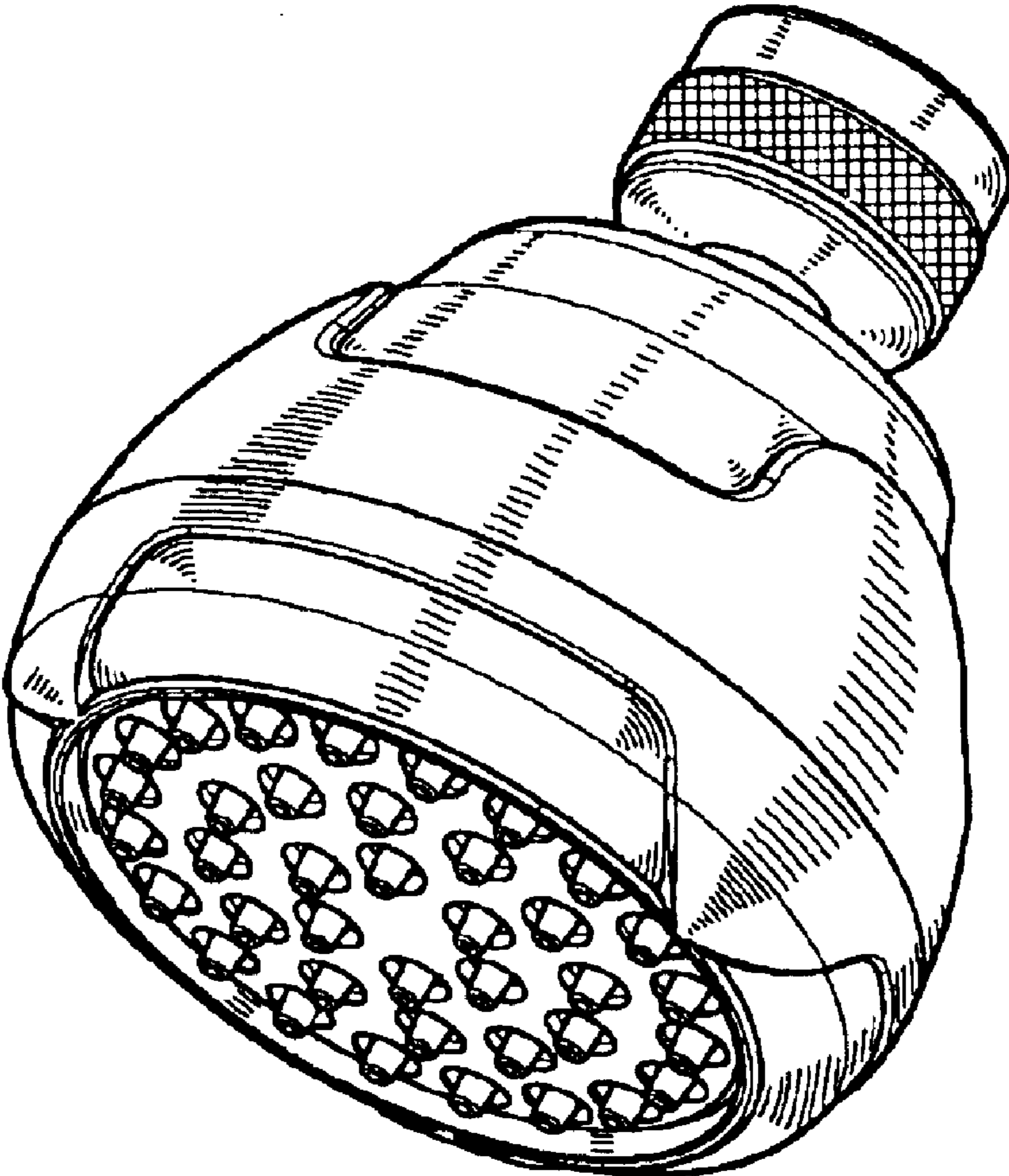


FIG.1

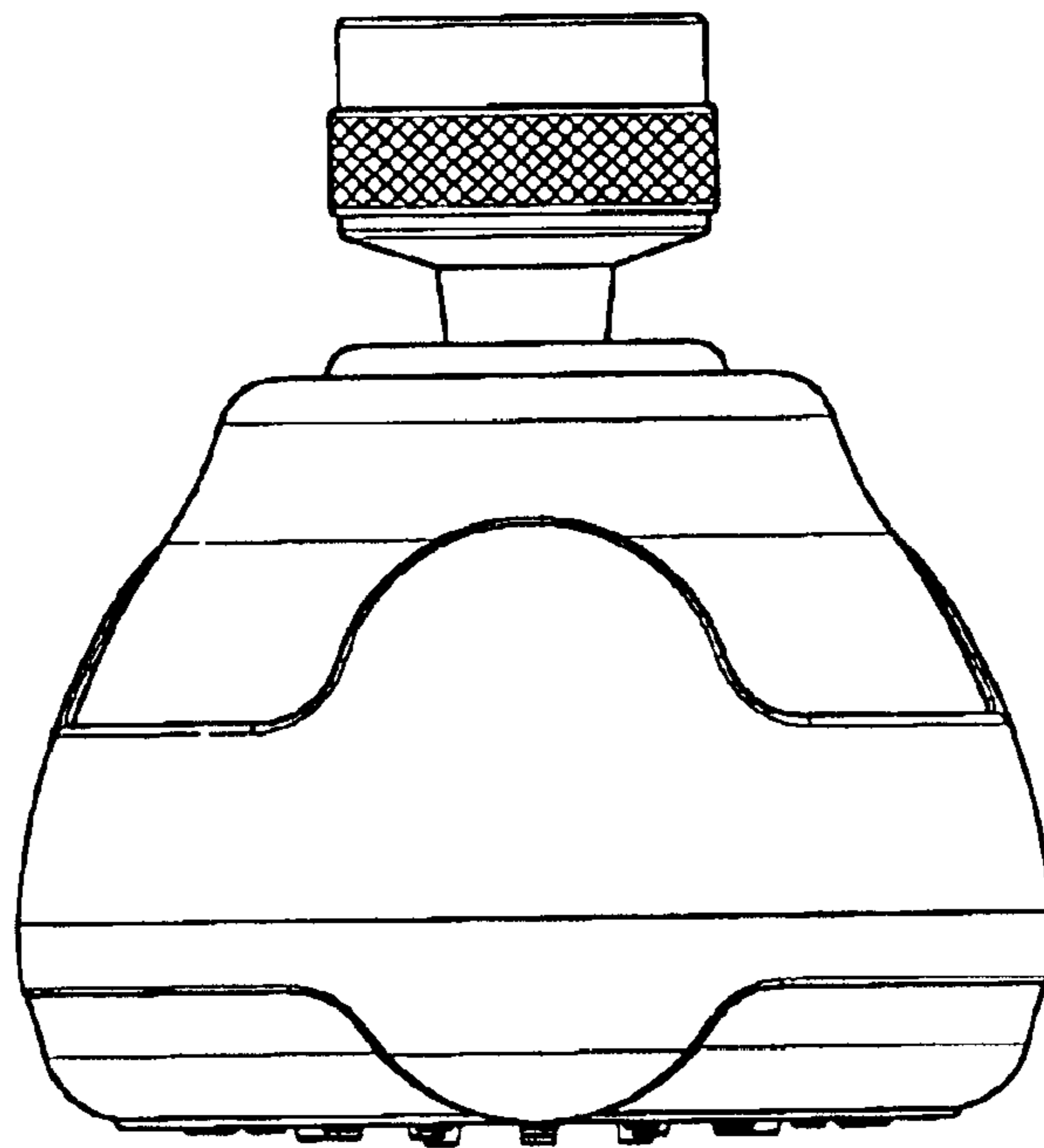


FIG.2

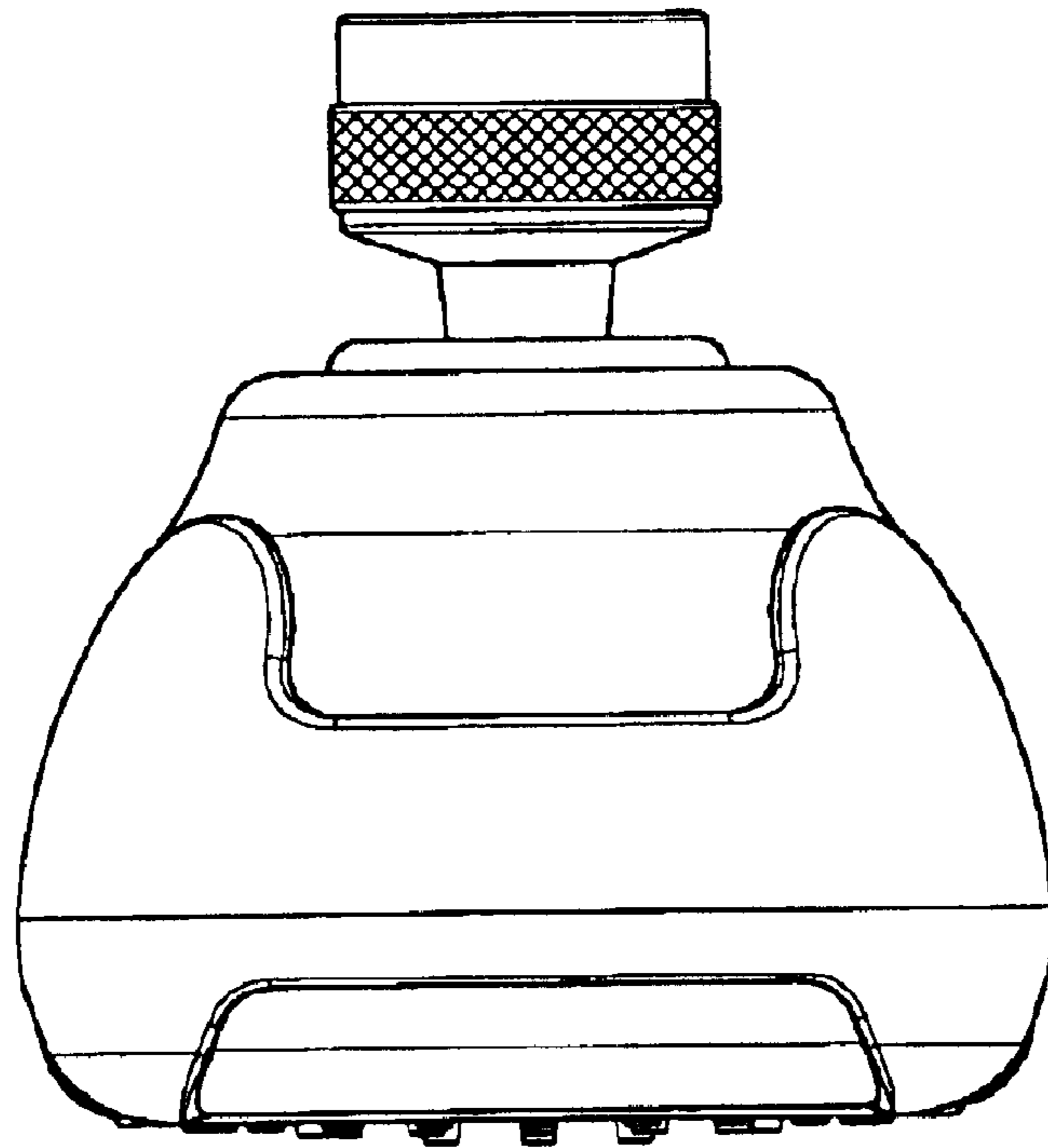


FIG.3

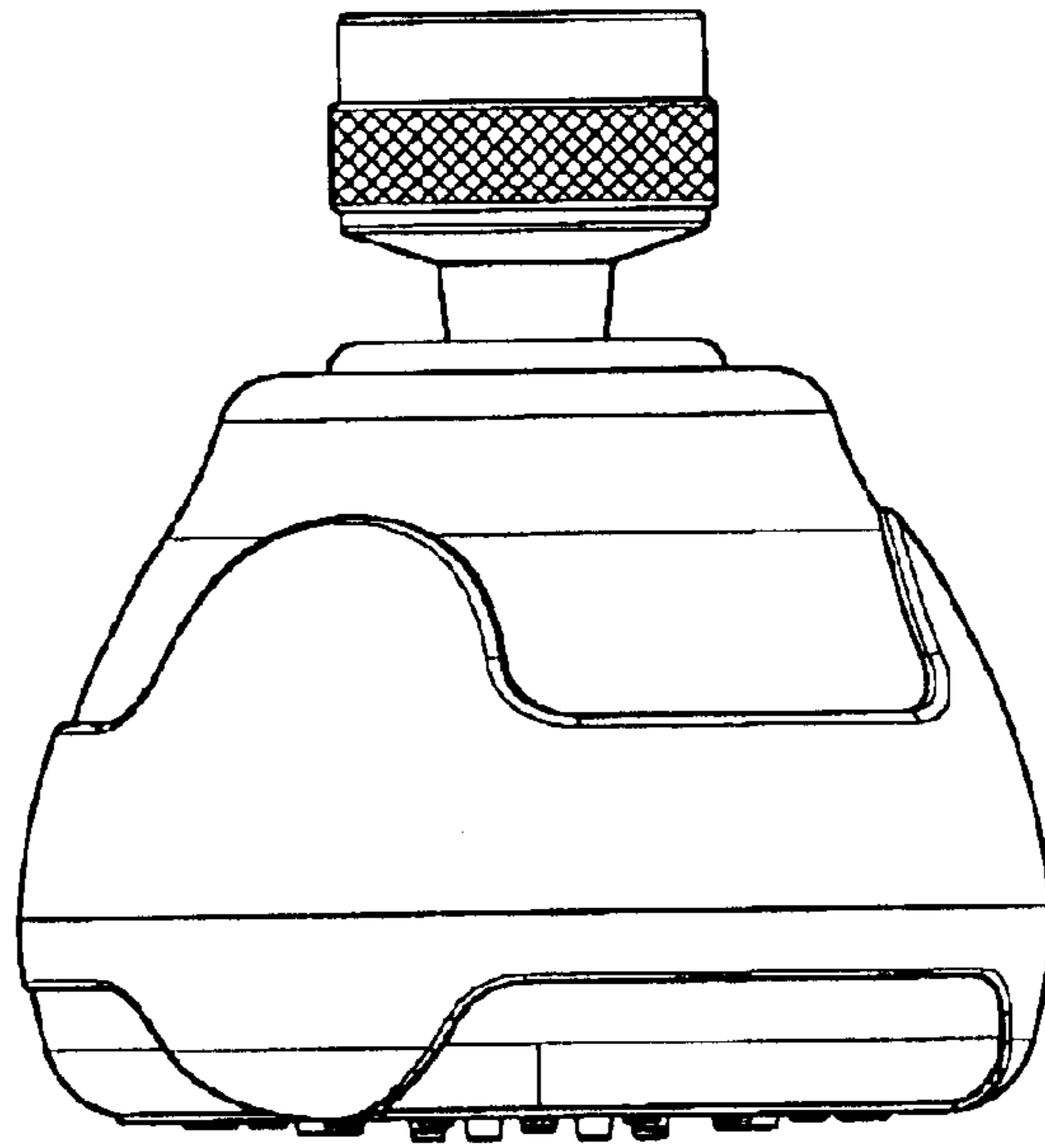


FIG.4

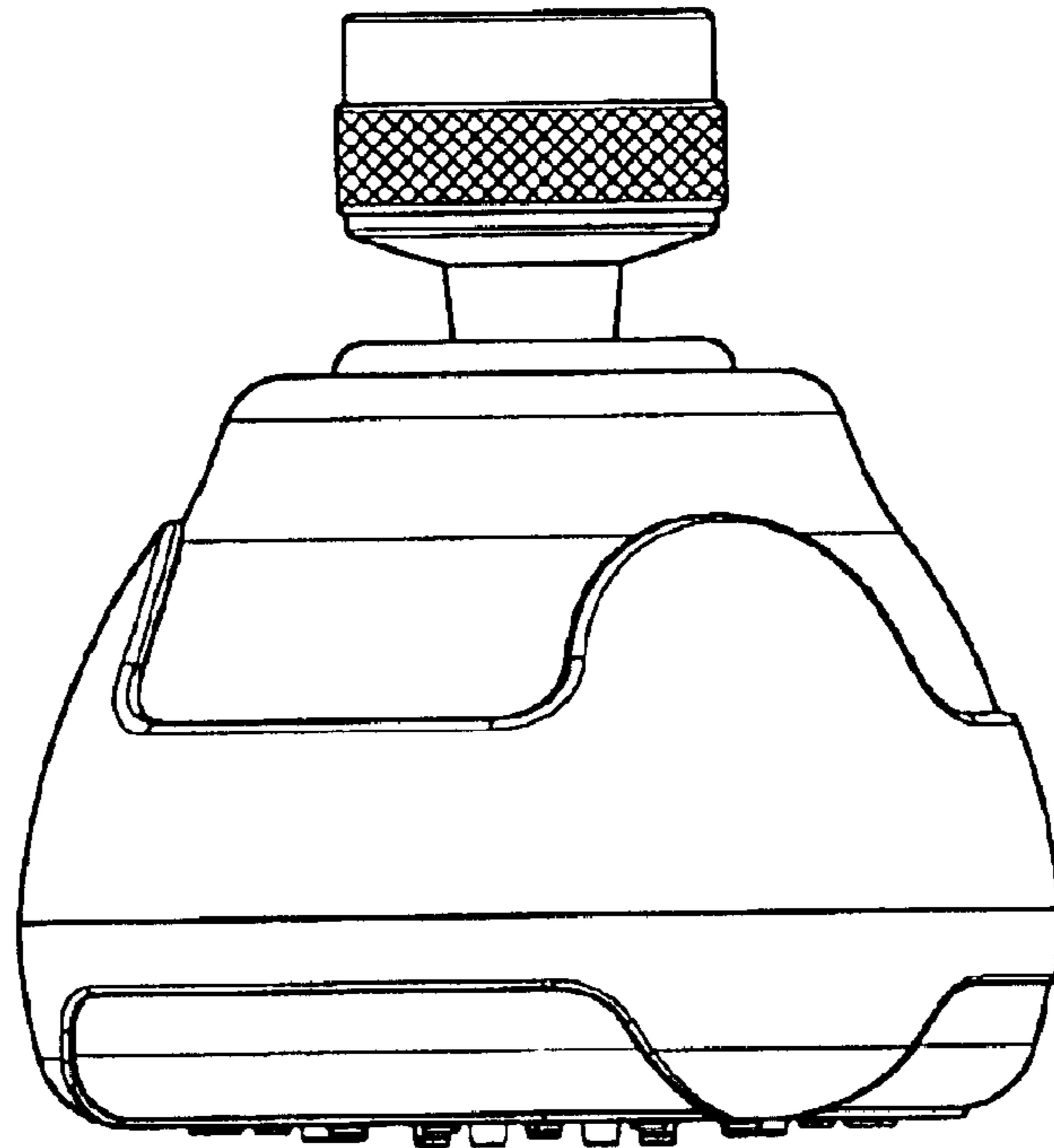


FIG.5

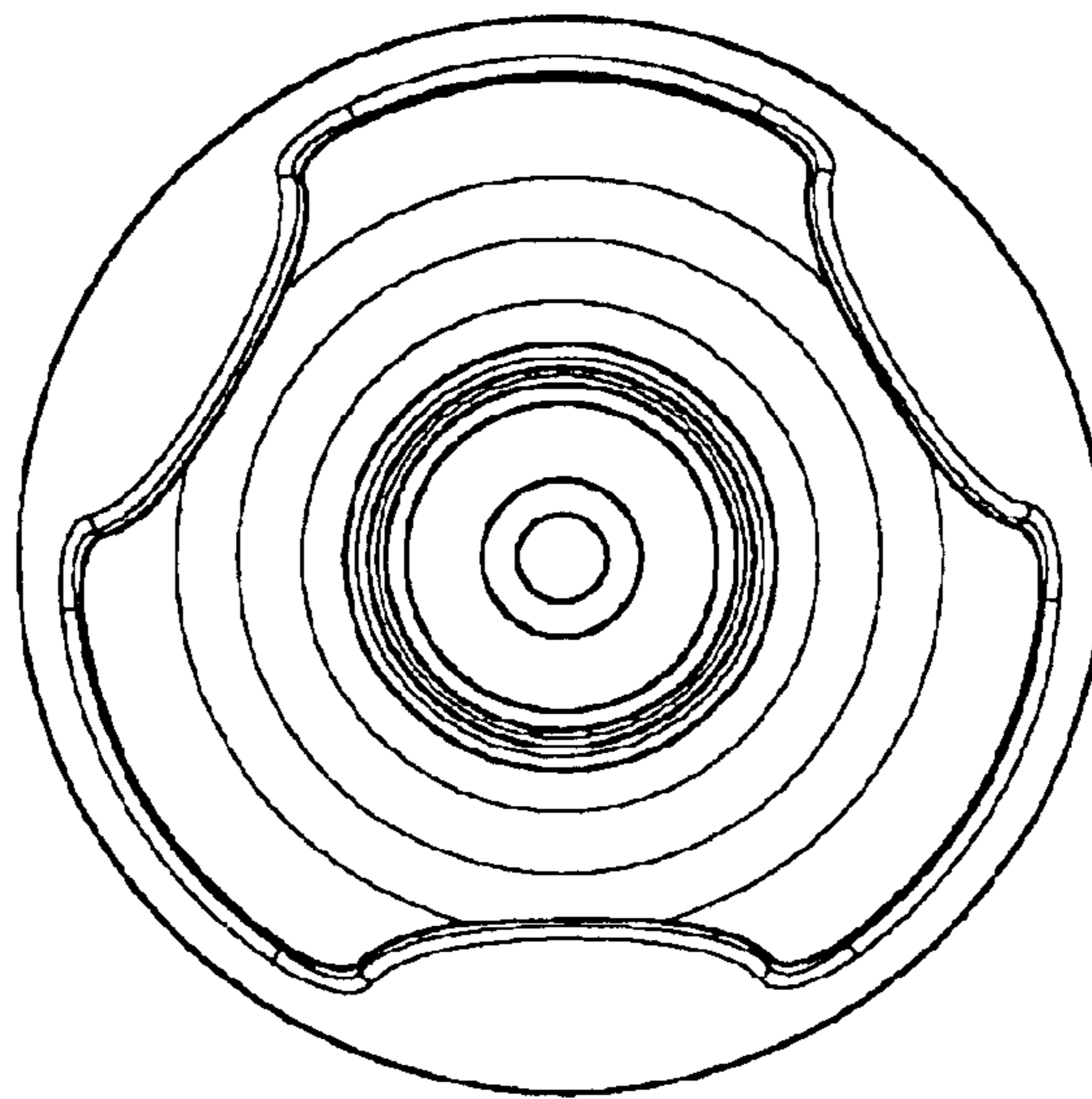


FIG.6

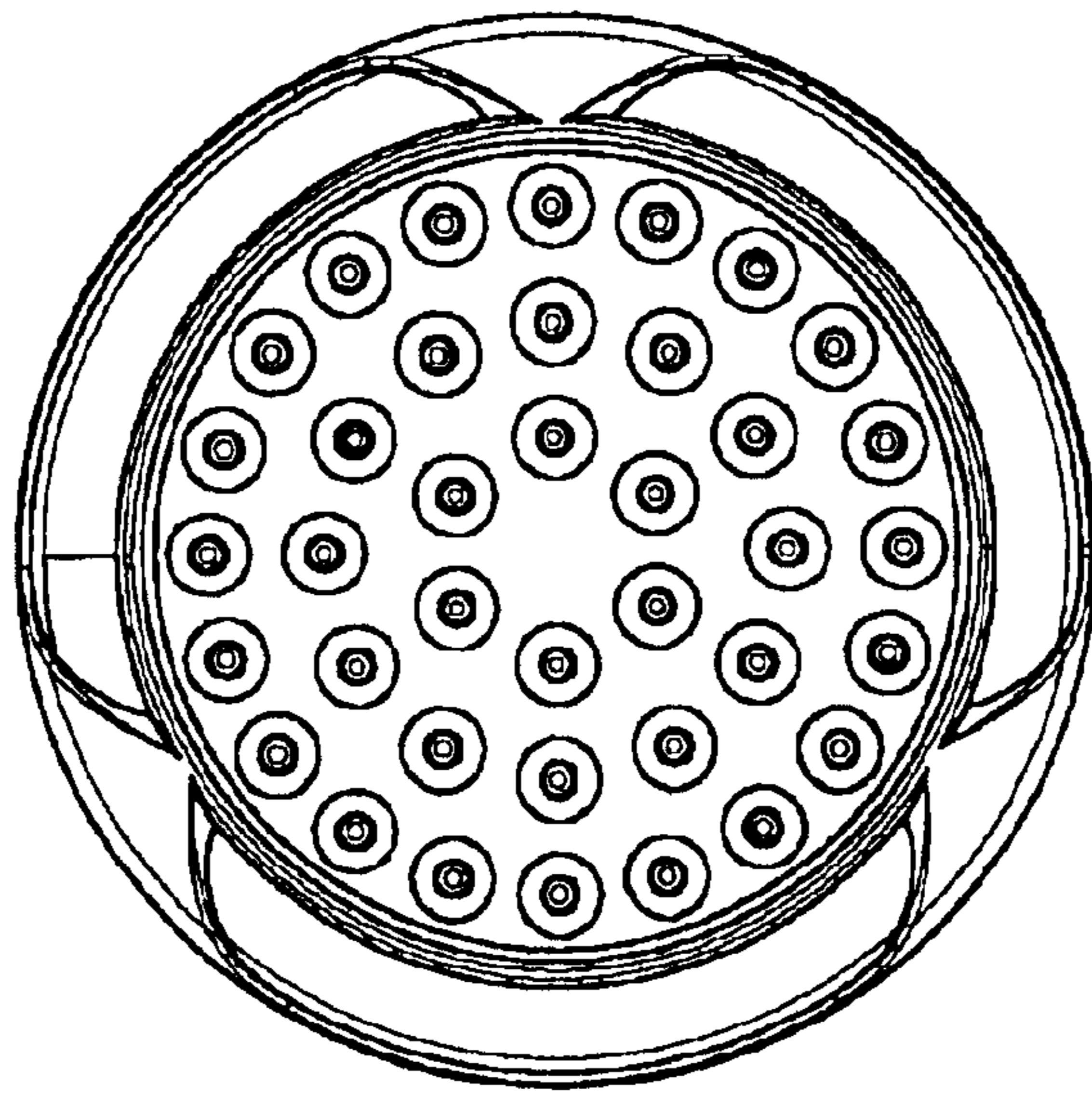


FIG.7