

US00D497405S1

(12) **United States Design Patent** (10) **Patent No.:** **US D497,405 S**
Boone et al. (45) **Date of Patent:** **** Oct. 19, 2004**

(54) **FISHERMAN'S TOOL**

(75) Inventors: **Michael Boone**, Corona, CA (US); **Don A. Geiger**, Long Beach, CA (US)

(73) Assignee: **Smart Products, Inc.**, Long Beach, CA (US)

(**) Term: **14 Years**

(21) Appl. No.: **29/199,093**

(22) Filed: **Feb. 10, 2004**

Related U.S. Application Data

(62) Division of application No. 29/179,800, filed on Apr. 15, 2003, now Pat. No. Des. 488,532.

(51) **LOC (7) Cl.** **22-05**

(52) **U.S. Cl.** **D22/149**

(58) **Field of Search** D22/149, 134, D22/199; 7/106, 130; 30/294, 290, 28, 169, 123, 154-155, 186, 191; 43/53.5

(56) **References Cited**

U.S. PATENT DOCUMENTS

5,092,074 A * 3/1992 Zincke 43/53.5
5,136,744 A * 8/1992 Allsop et al. 7/106
6,045,234 A * 4/2000 Leeds 7/106

* cited by examiner

Primary Examiner—Catherine R. Oliver
(74) *Attorney, Agent, or Firm*—John J. Connors; Connors & Assoc. Inc.

(57) **CLAIM**

The ornamental design for the fisherman's tool, as shown and described.

DESCRIPTION

FIG. 1 is a top plan view of the fisherman's tool of this invention shown in FIG. 2.

FIG. 2 is a left-hand side view of the fisherman's tool of this invention with the Handle of the fisherman's tool closed.

FIG. 3 is a bottom plan view of the fisherman's tool of this invention shown in FIG. 2.

FIG. 4 is a front view of the fisherman's tool of this invention shown in FIG. 2.

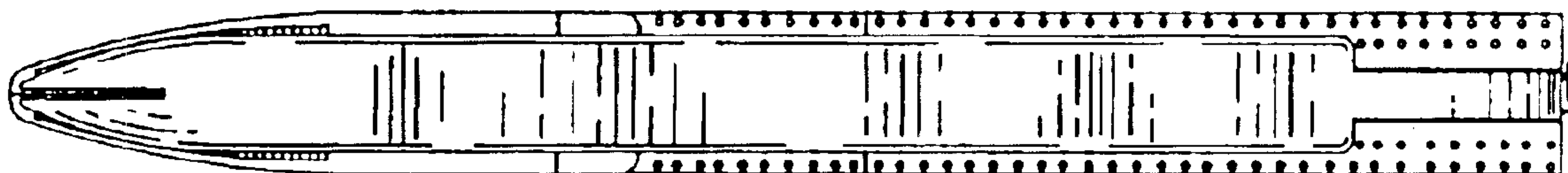
FIG. 5 is a rear view of the fisherman's tool of this invention shown in FIG. 2.

FIG. 6 is a right-hand side view of the fisherman's tool of this invention with the Handle of the fisherman's tool closed; and,

FIG. 7 is a plan view of the fisherman's tool of this invention with the Handle of the fisherman's tool opened.

The broken line disclosure is for illustrative purposes only and forms no part of the claimed design.

1 Claim, 2 Drawing Sheets



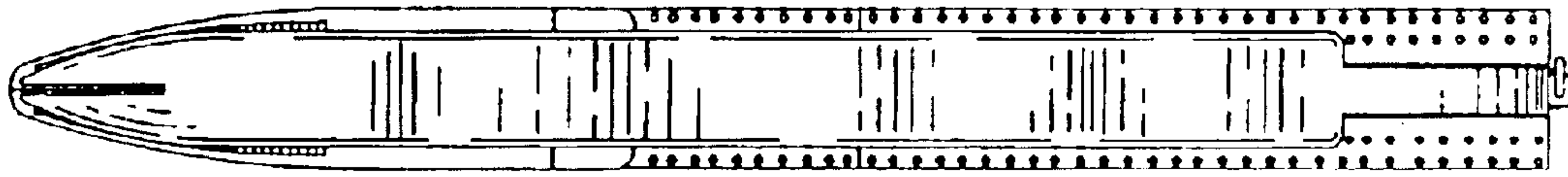


Fig. 1

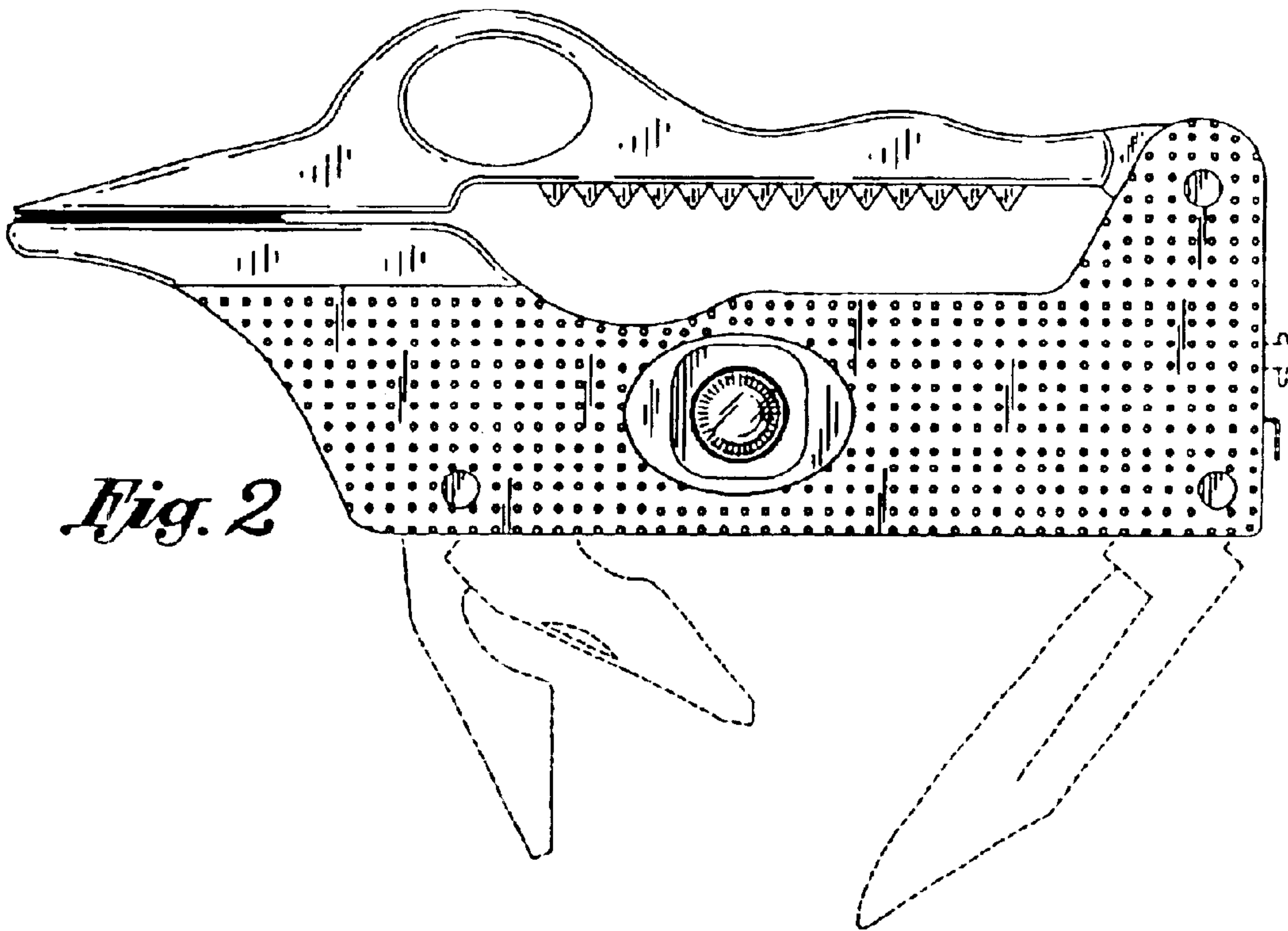


Fig. 2



Fig. 3

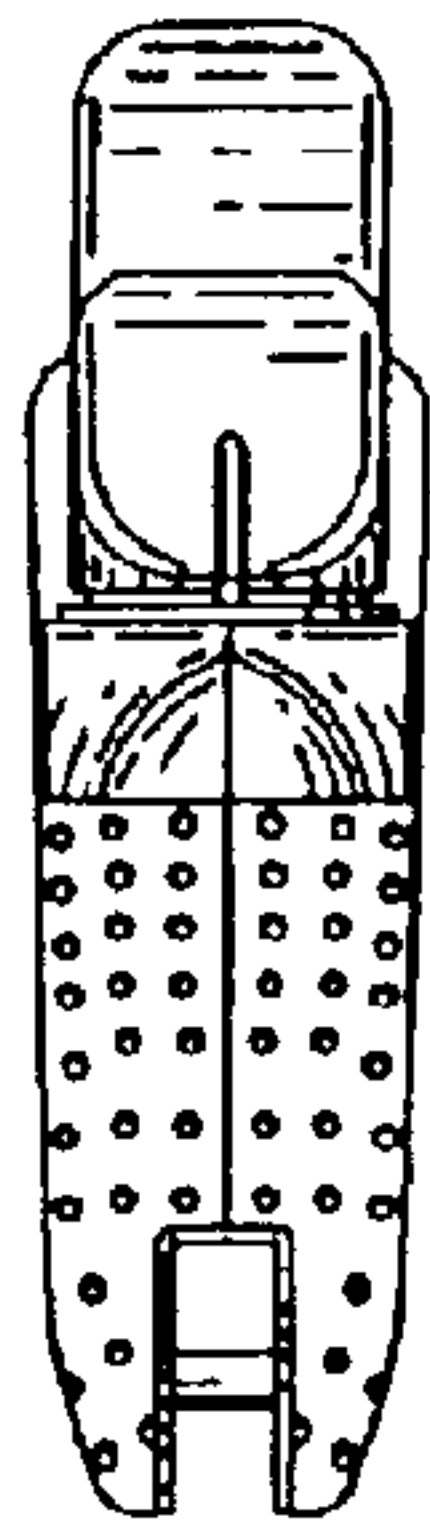


Fig. 4

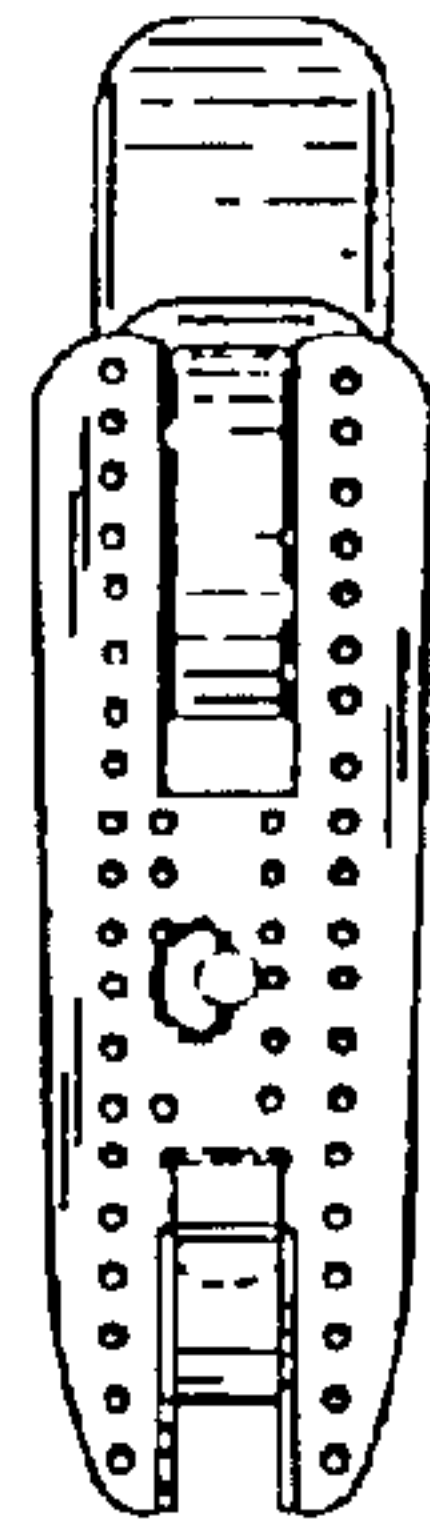


Fig. 5

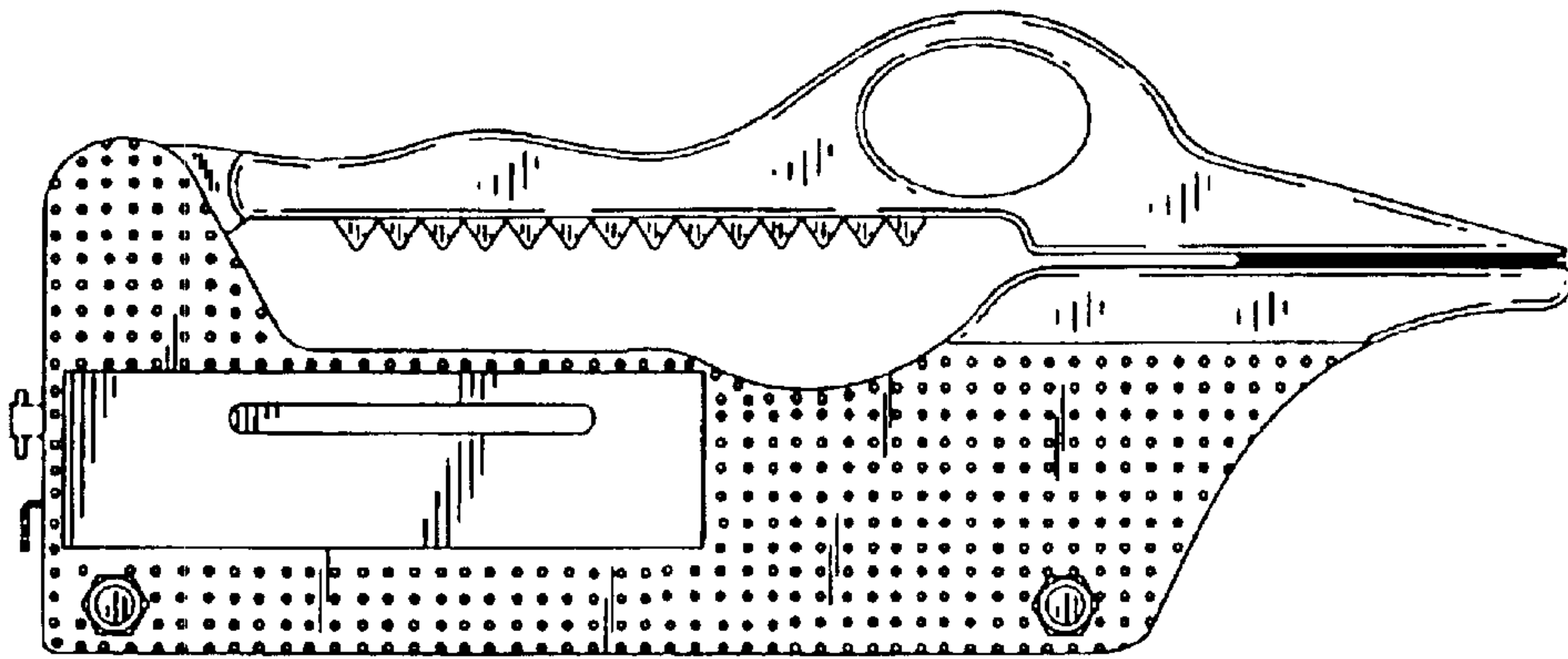


Fig. 6

Fig. 7

