

US00D497403S1

(12) **United States Design Patent**
Asano et al.

(10) **Patent No.:** **US D497,403 S**
(45) **Date of Patent:** **** Oct. 19, 2004**

(54) **FISHING REEL BODY**

2002/0053617 A1 * 5/2002 Nanbu 242/223
2002/0104911 A1 * 8/2002 Nishimura 242/310

(75) Inventors: **Shinichi Asano**, Musashino (JP);
Kazuya Nanbu, Higashikurume (JP);
Harumichi Ooishi, Higashikurume
(JP); **Yoshinori Imure**, Higashikurume
(JP)

FOREIGN PATENT DOCUMENTS

JP 256 807 5/2000
JP 095200 12/2000

* cited by examiner

(73) Assignee: **Daiwa Seiko Inc.**, Tokyo (JP)

Primary Examiner—Catherine R. Oliver

(**) Term: **14 Years**

(74) *Attorney, Agent, or Firm*—Sughrue Mion, PLLC

(21) Appl. No.: **29/195,391**

(57) **CLAIM**

(22) Filed: **Dec. 11, 2003**

The ornamental design for a fishing reel body, as shown and described.

(30) **Foreign Application Priority Data**

DESCRIPTION

Jun. 19, 2003 (JP) 2003-017346

(51) **LOC (7) Cl.** **22-05**

(52) **U.S. Cl.** **D22/140**

(58) **Field of Search** D22/140, 141;
242/234–239, 310–313, 282–283, 240,
279, 257–262, 223, 323

FIG. 1 is a perspective view of the top, front and left side of a fishing reel body showing our new design;
FIG. 2 is a perspective view of the top, rear and right side thereof;
FIG. 3 is a front elevational view thereof;
FIG. 4 is a rear elevational view thereof;
FIG. 5 is a left side elevational view thereof;
FIG. 6 is a right side elevational view thereof;
FIG. 7 is a top plan view thereof;
FIG. 8 is a bottom plan view thereof;
FIG. 9 is a perspective view of the top, front right side with the fishing reel body in the open position; and,
FIG. 10 is a perspective view of the top rear and right side of the fishing reel body in the open position.
The elements shown in phantom lines are for illustrative purposes only and form no part of the claimed design.

(56) **References Cited**

U.S. PATENT DOCUMENTS

D315,011 S 2/1991 Kameda et al. D22/140
D366,690 S 1/1996 Storz D22/140
D368,955 S 4/1996 Robbins D22/140
D369,848 S * 5/1996 Asano et al. D22/140
D400,639 S * 11/1998 Ito et al. D22/140
5,988,548 A * 11/1999 Chapman et al. 242/310
D422,047 S 3/2000 Kaneda et al. D22/140
D422,673 S 4/2000 Asano et al. D22/140
D450,105 S 11/2001 Asano et al. D22/140

1 Claim, 5 Drawing Sheets

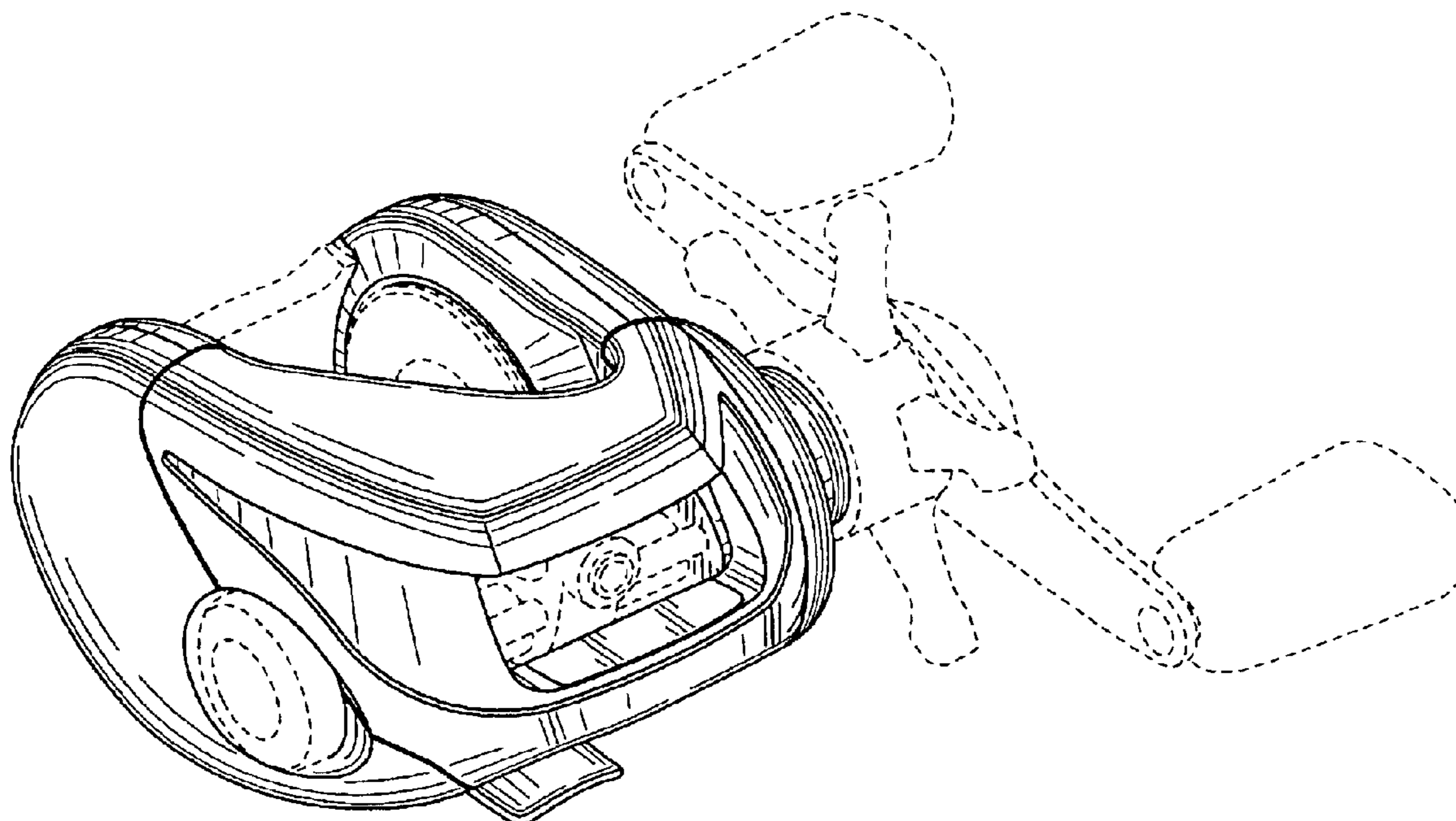


FIG. 1

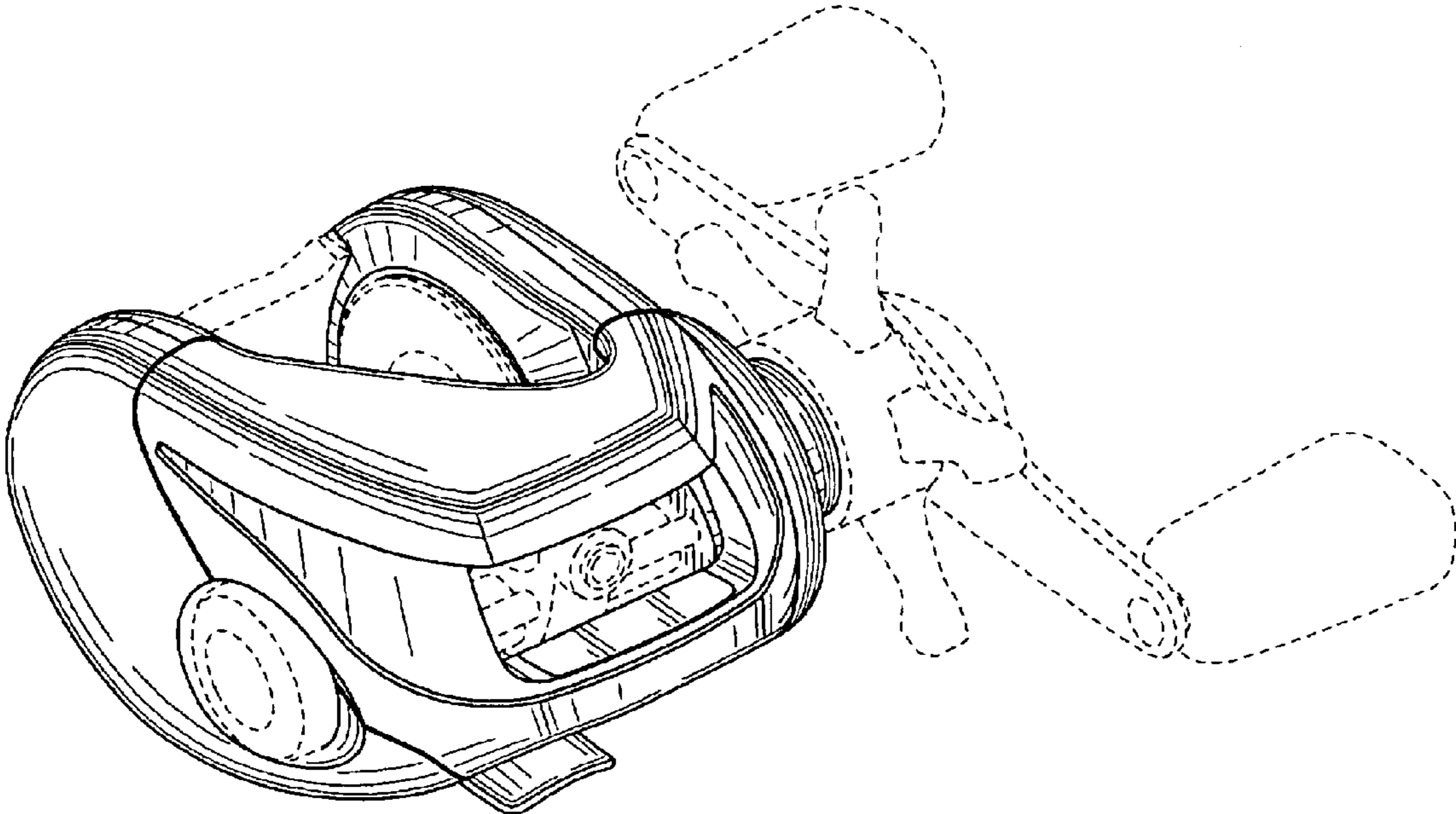


FIG. 2

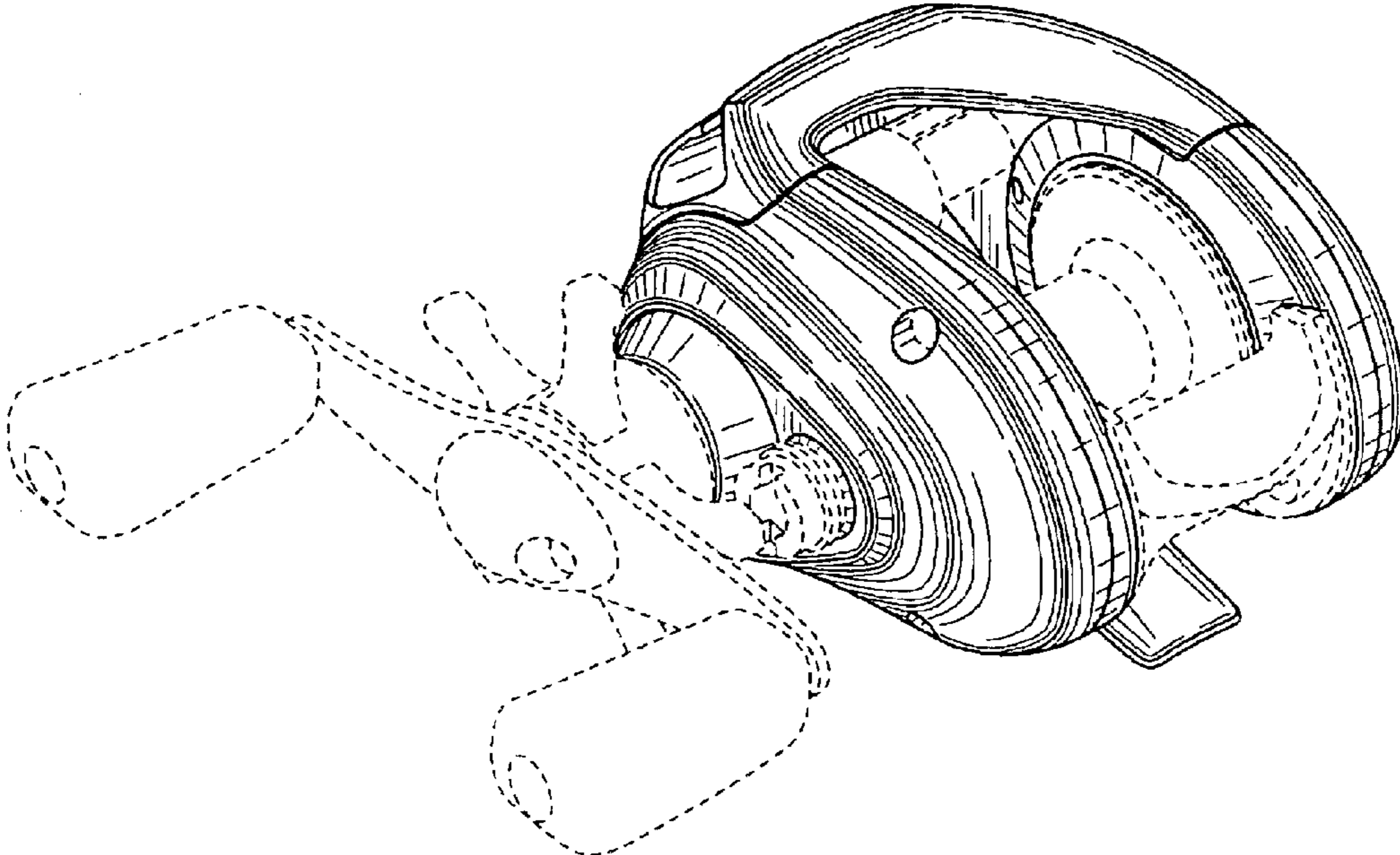


FIG. 3

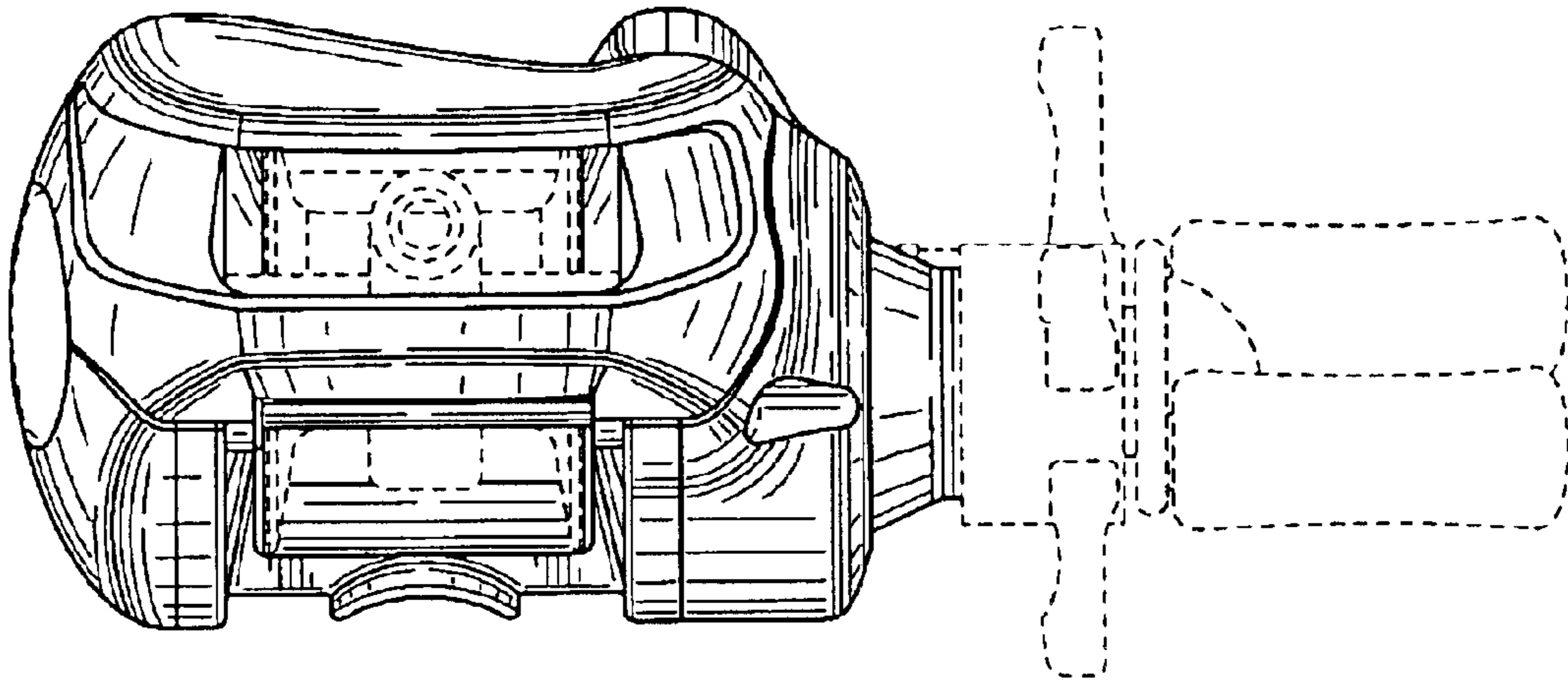


FIG. 4

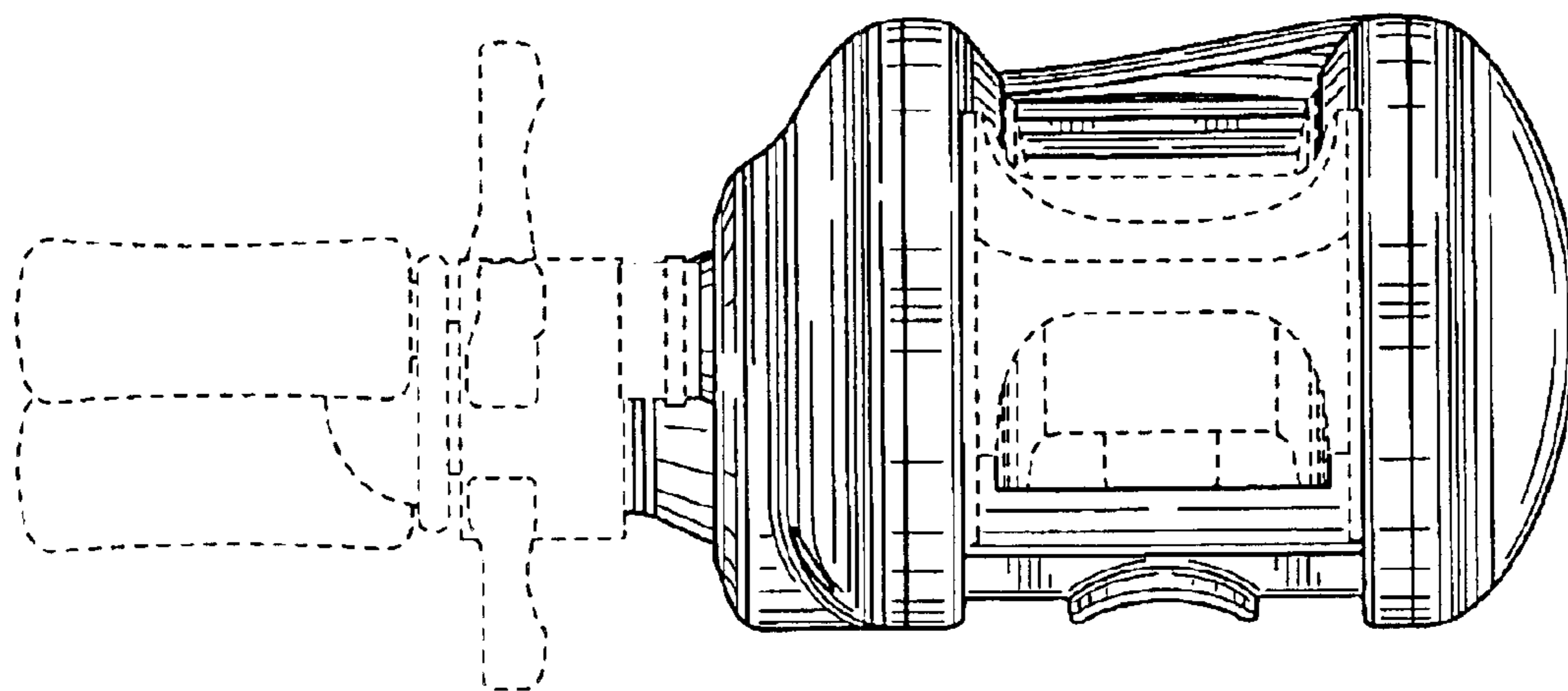


FIG. 5

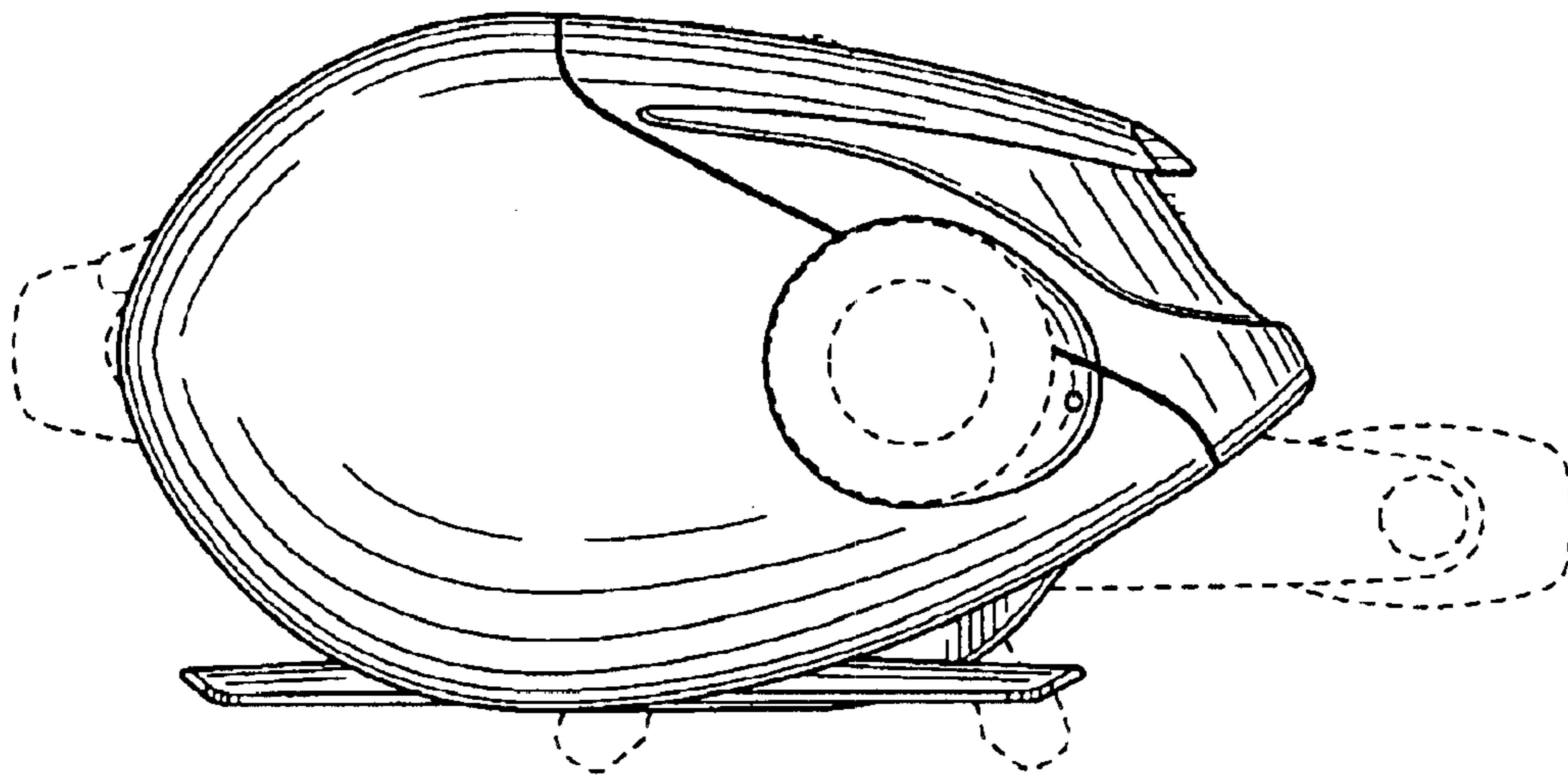


FIG. 6

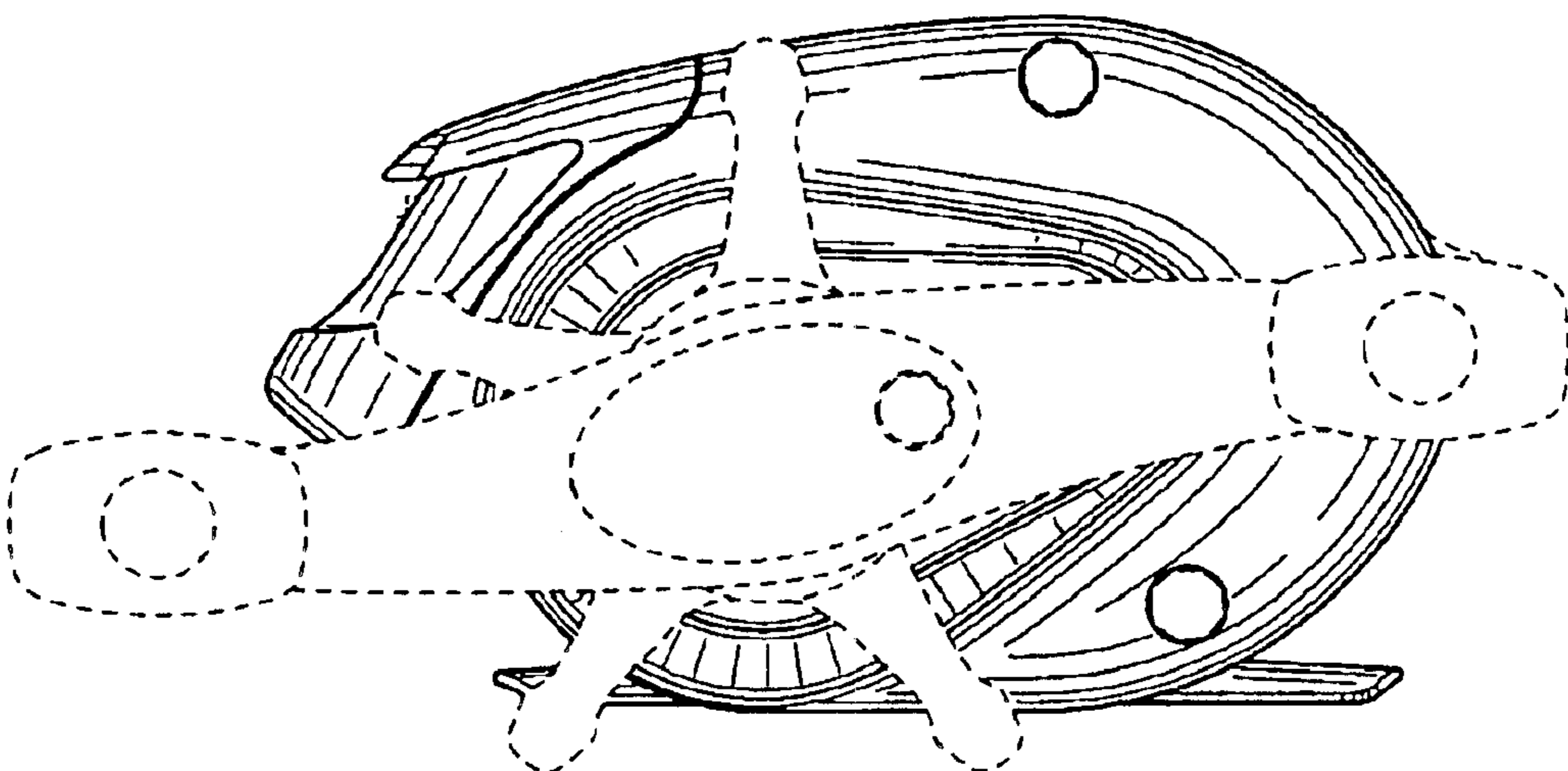


FIG. 7

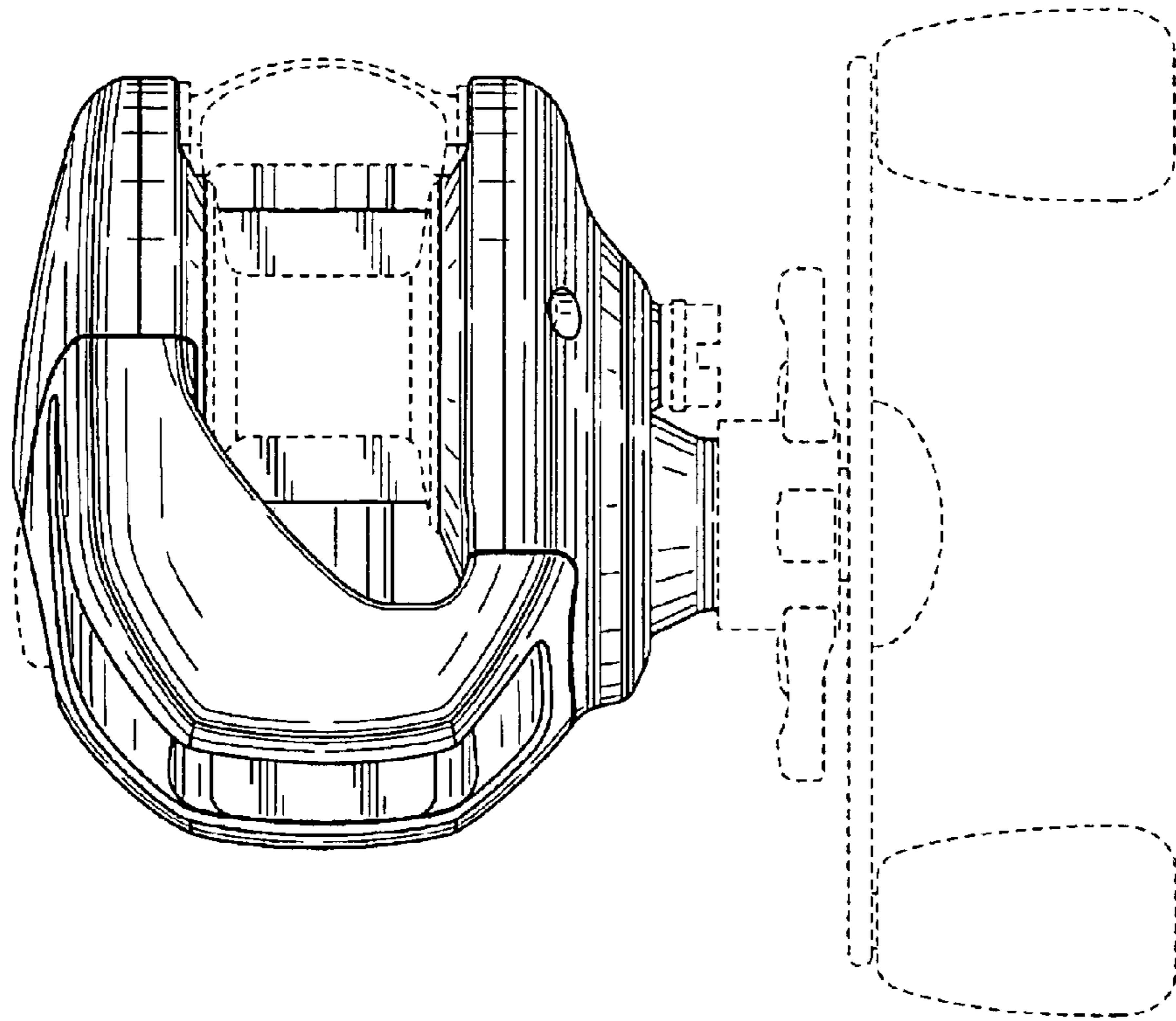


FIG. 8

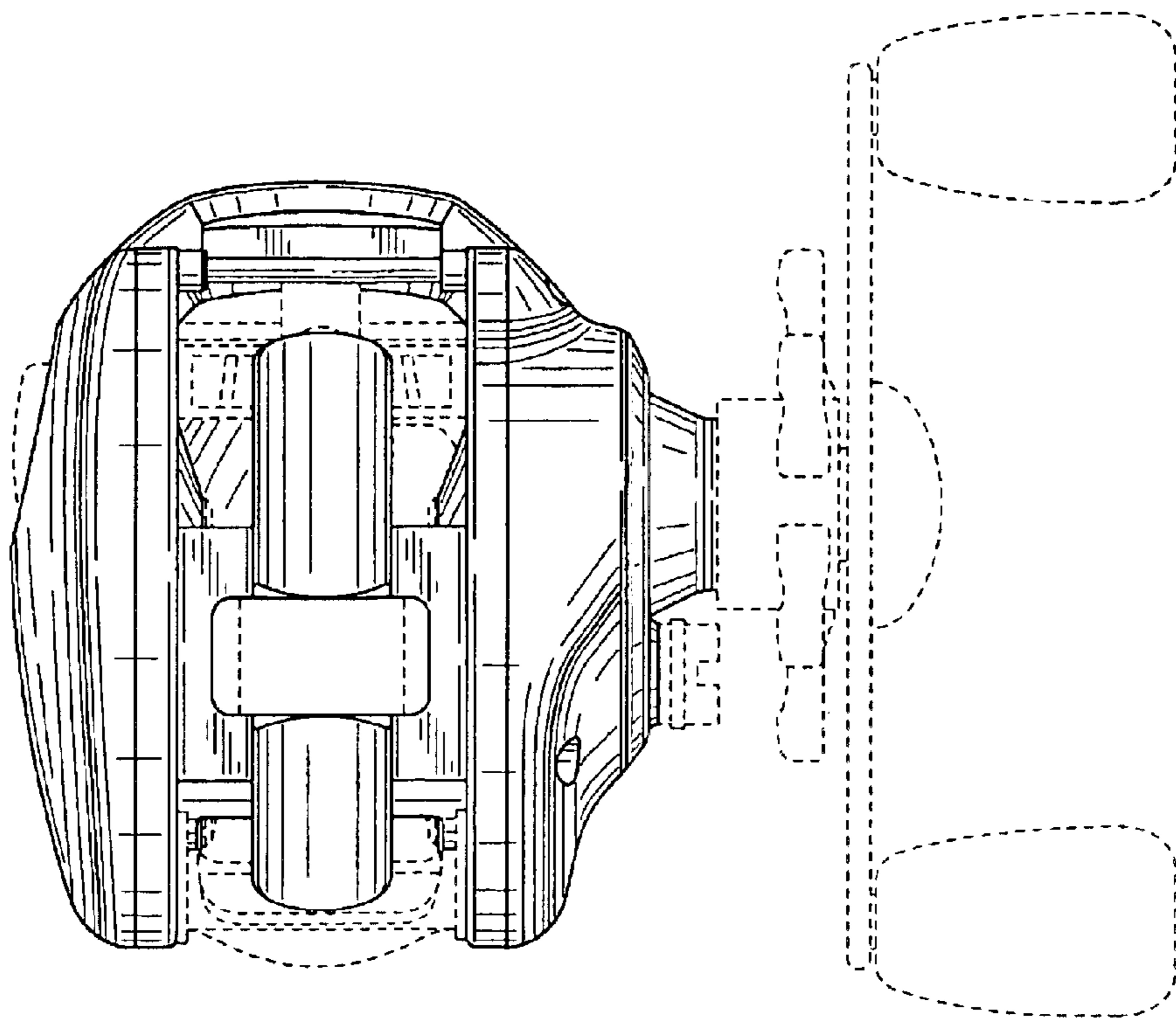


FIG. 9

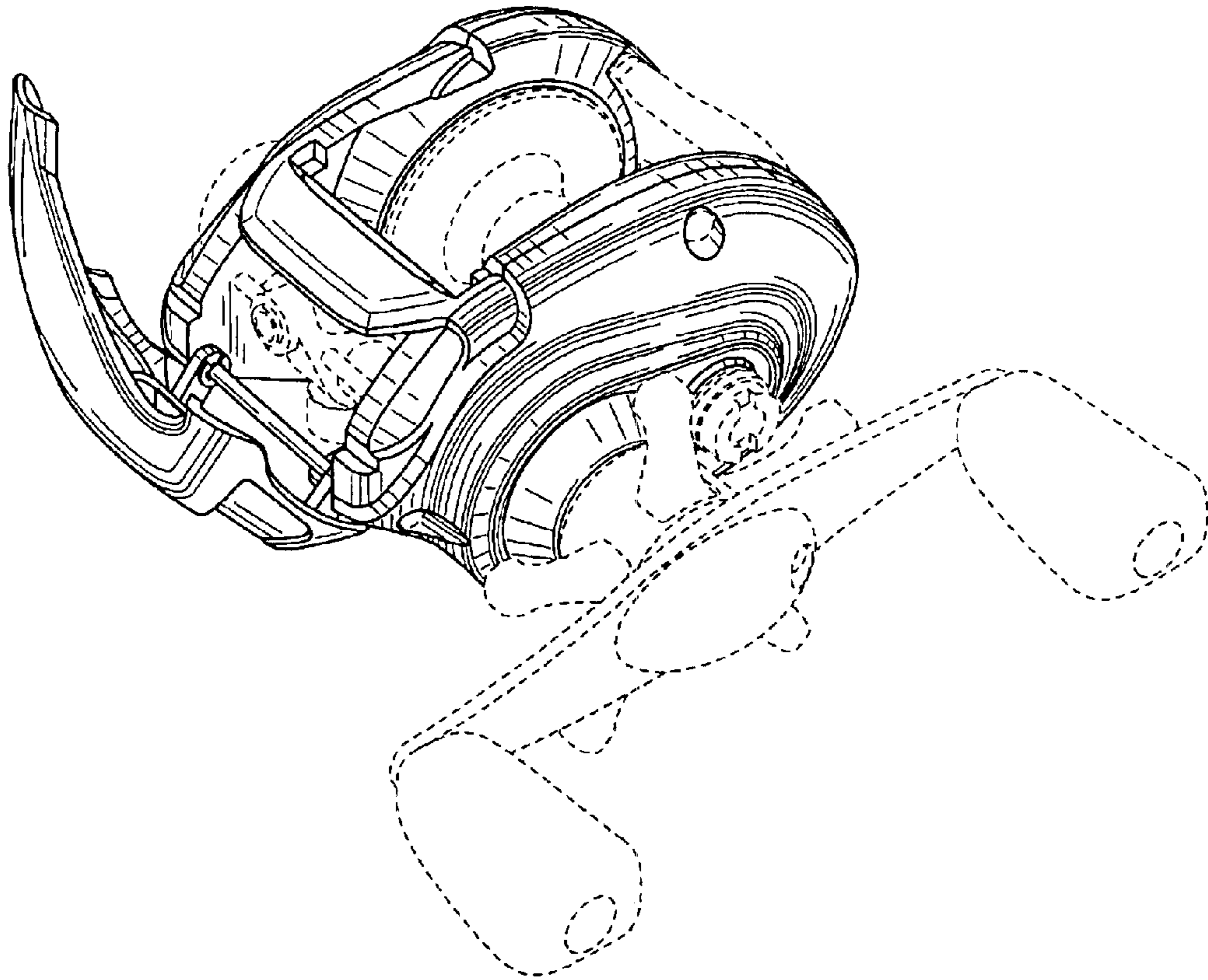


FIG. 10

