

US00D497402S1

(12) **United States Design Patent**  
**Moore**

(10) **Patent No.:** **US D497,402 S**  
(45) **Date of Patent:** **\*\* Oct. 19, 2004**

(54) **PUTTER HEAD**

(76) **Inventor:** **Tad Moore**, 724 Ridgecrest Rd.,  
LaGrange, GA (US) 30240

(\*\*) **Term:** **14 Years**

(21) **Appl. No.:** **29/189,856**

(22) **Filed:** **Sep. 11, 2003**

(51) **LOC (7) Cl.** ..... **21-02**

(52) **U.S. Cl.** ..... **D21/736**

(58) **Field of Search** ..... D21/736-746;  
473/251-256, 324-328, 340, 341

(56) **References Cited**

**U.S. PATENT DOCUMENTS**

D324,250 S	*	2/1992	Magness	.....	D21/741
D410,716 S	*	6/1999	Bendo et al.	.....	D21/736
D422,328 S	*	4/2000	Lannoch	.....	D21/743
D448,437 S	*	9/2001	Colucci	.....	D21/736
D481,431 S	*	10/2003	Wightman	.....	D21/743

\* cited by examiner

*Primary Examiner*—Mitchell Siegel  
(74) *Attorney, Agent, or Firm*—McNair Law Firm, P.A.

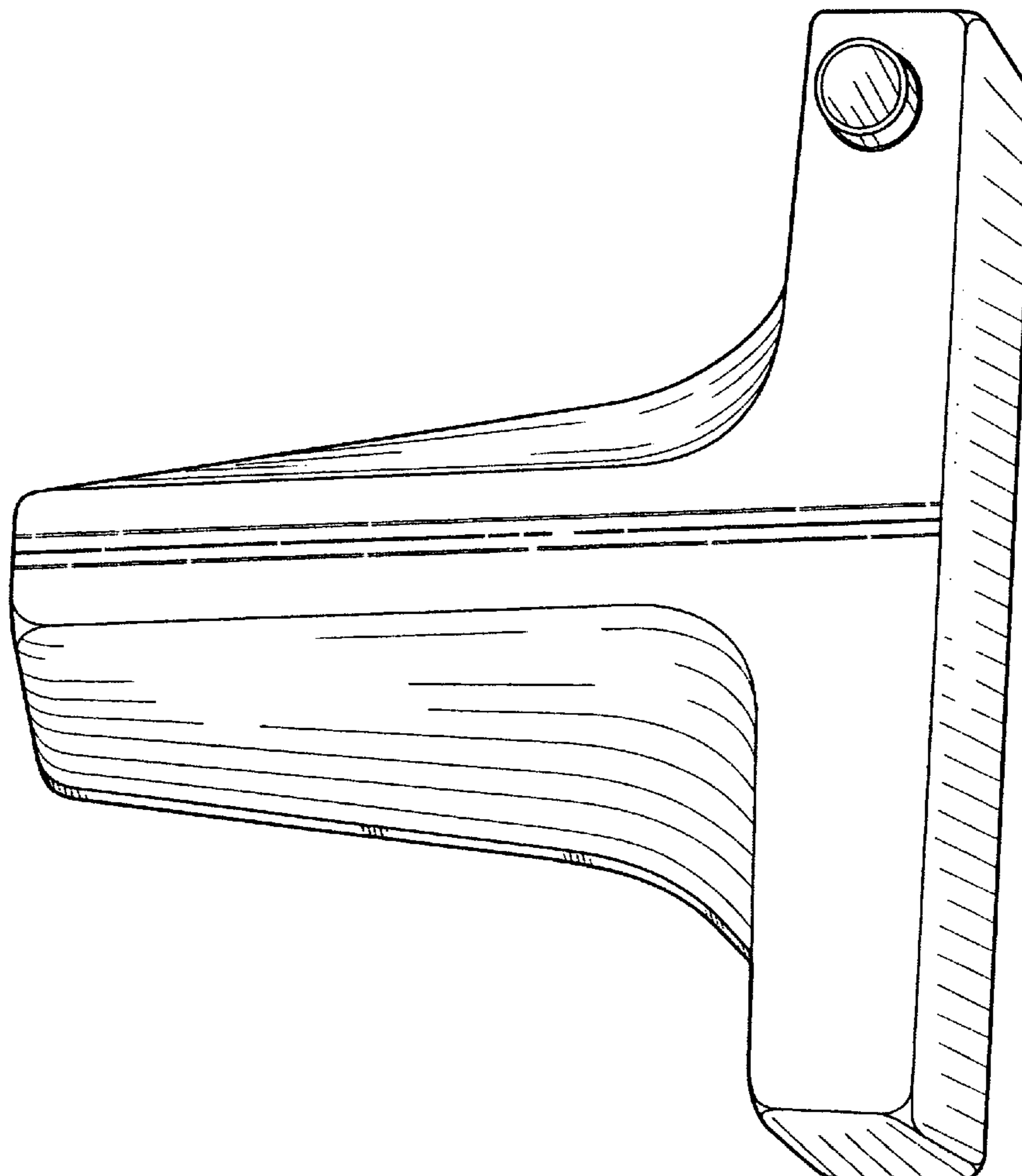
(57) **CLAIM**

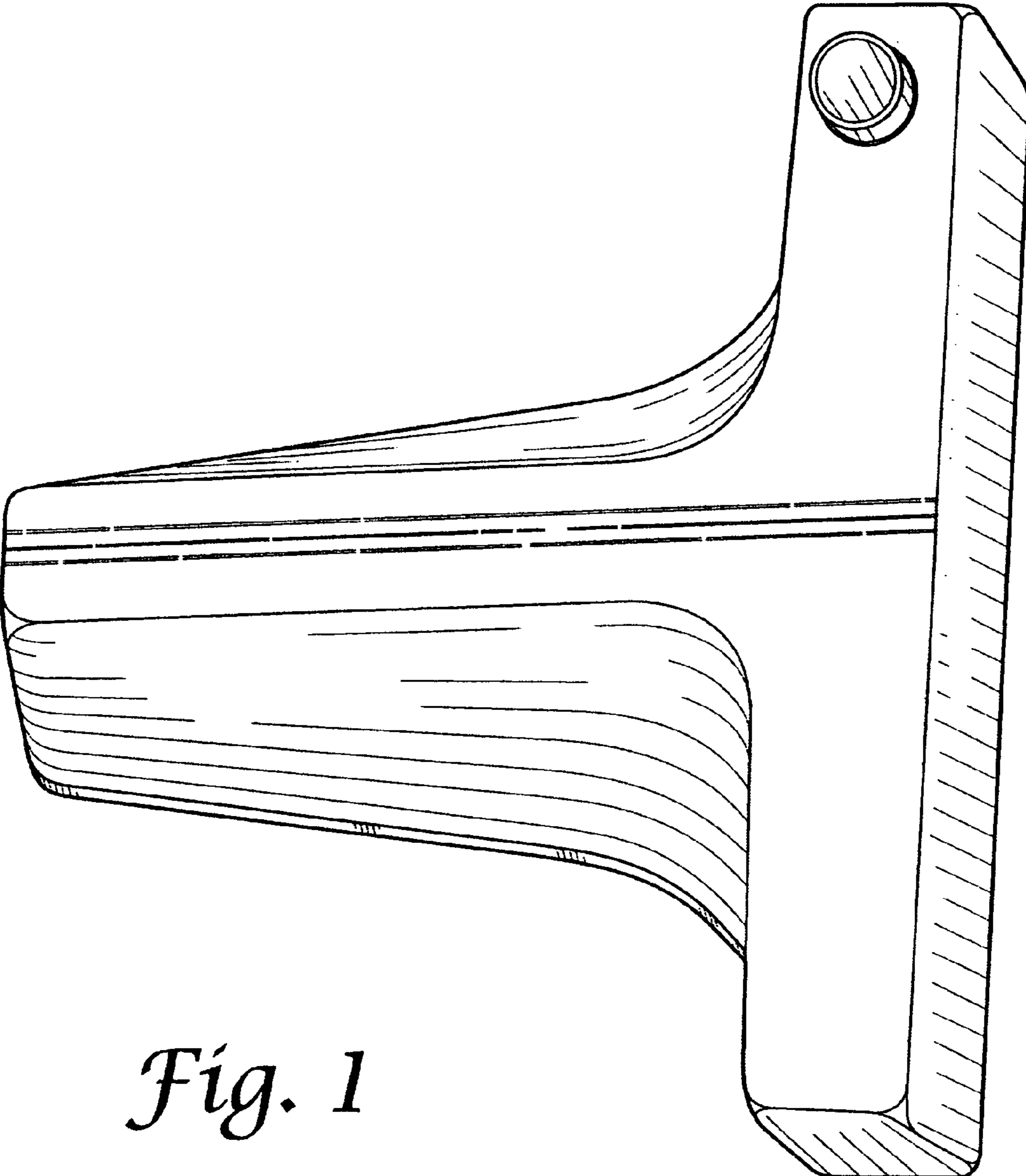
The ornamental design for a putter head, as shown and described.

**DESCRIPTION**

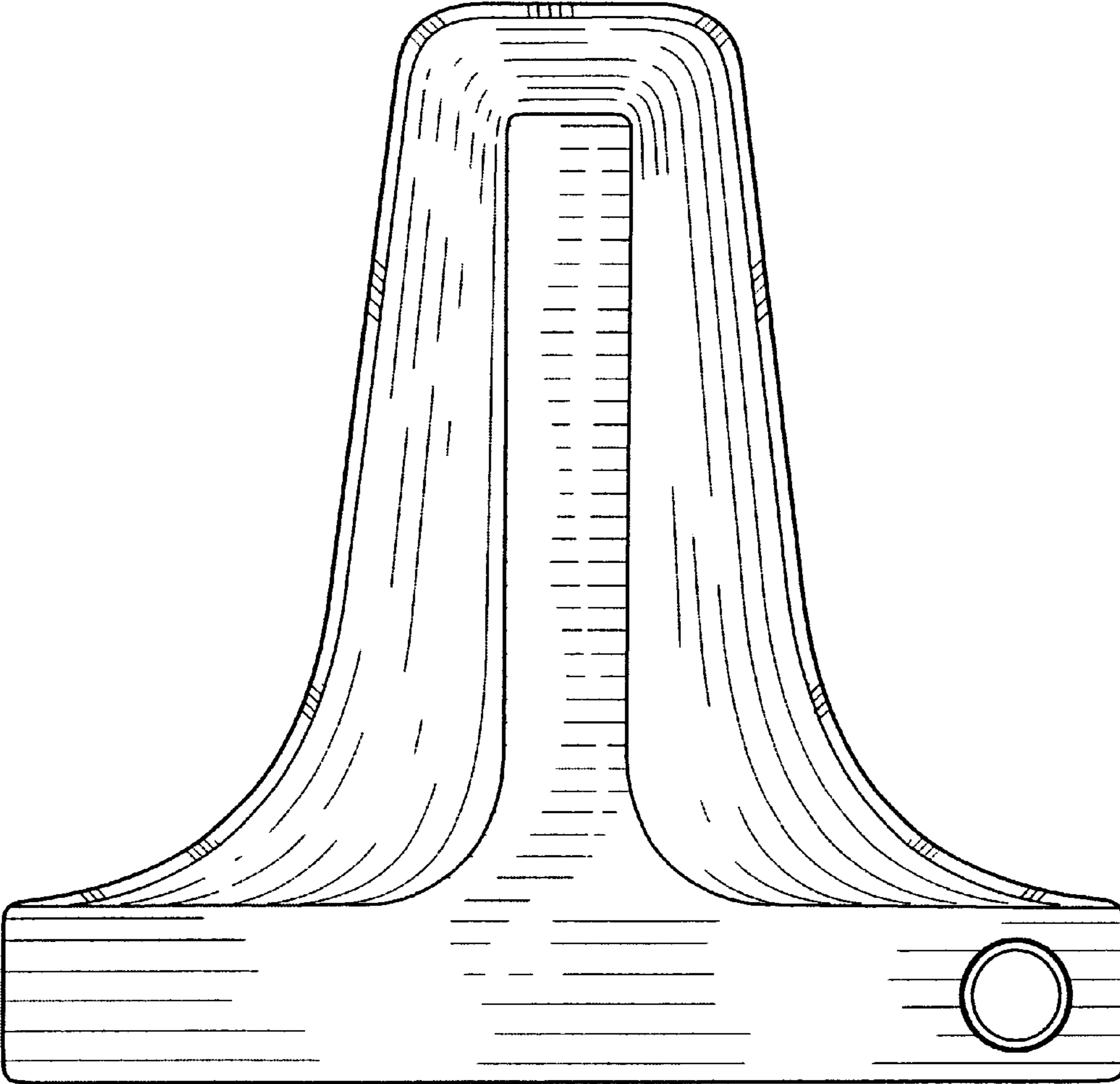
FIG. 1 is a top perspective view of my new design;  
FIG. 2 is a top plan view of my new design;  
FIG. 3 is a bottom view of my new design;  
FIG. 4 is an end view of my new design as seen from the right in FIG. 1;  
FIG. 5 is an end view of my new design as seen from the left in FIG. 1;  
FIG. 6 is a side view of my new design; and,  
FIG. 7 is an end view of a second embodiment of the putter head disclosed in FIG. 1; All other sides being identical to the first embodiment.

**1 Claim, 4 Drawing Sheets**

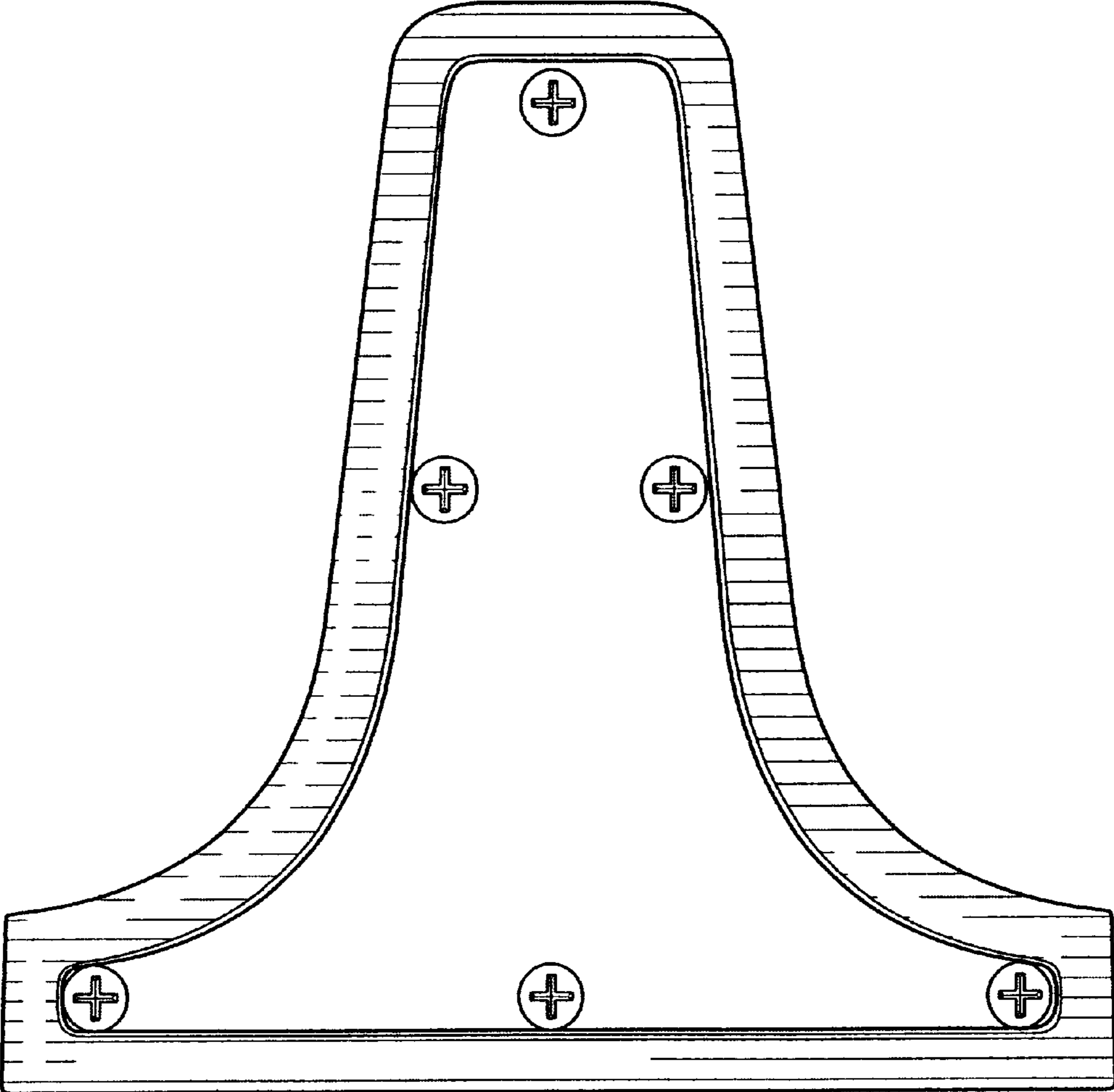




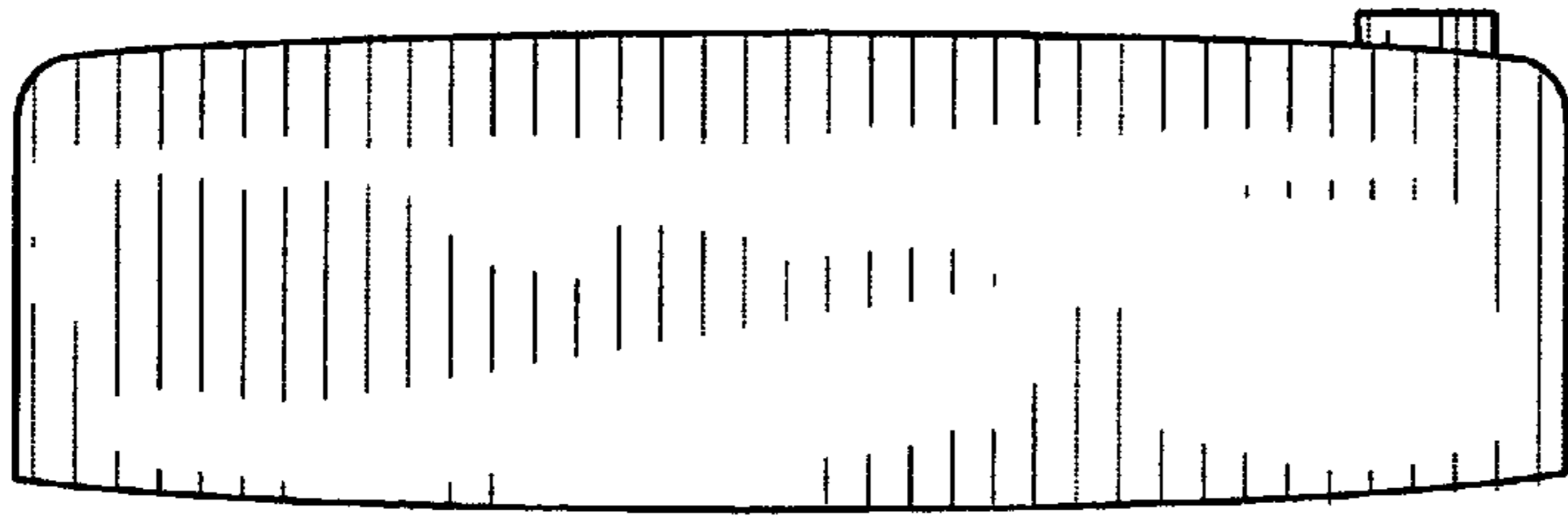
*Fig. 1*



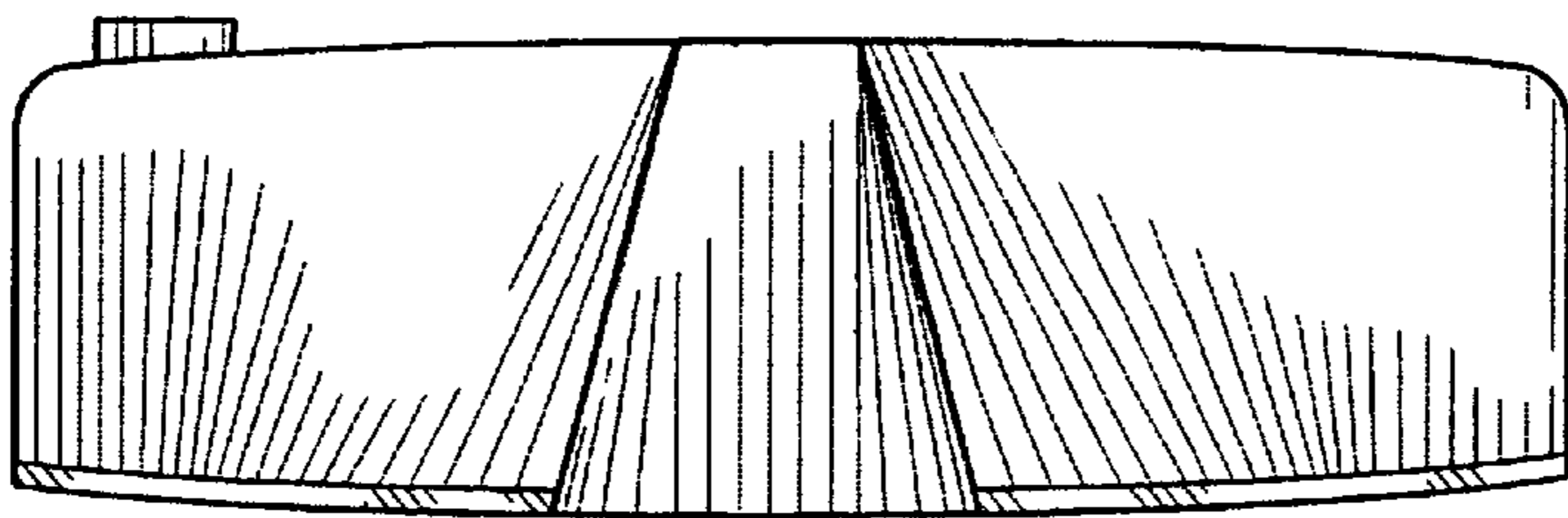
*Fig. 2*



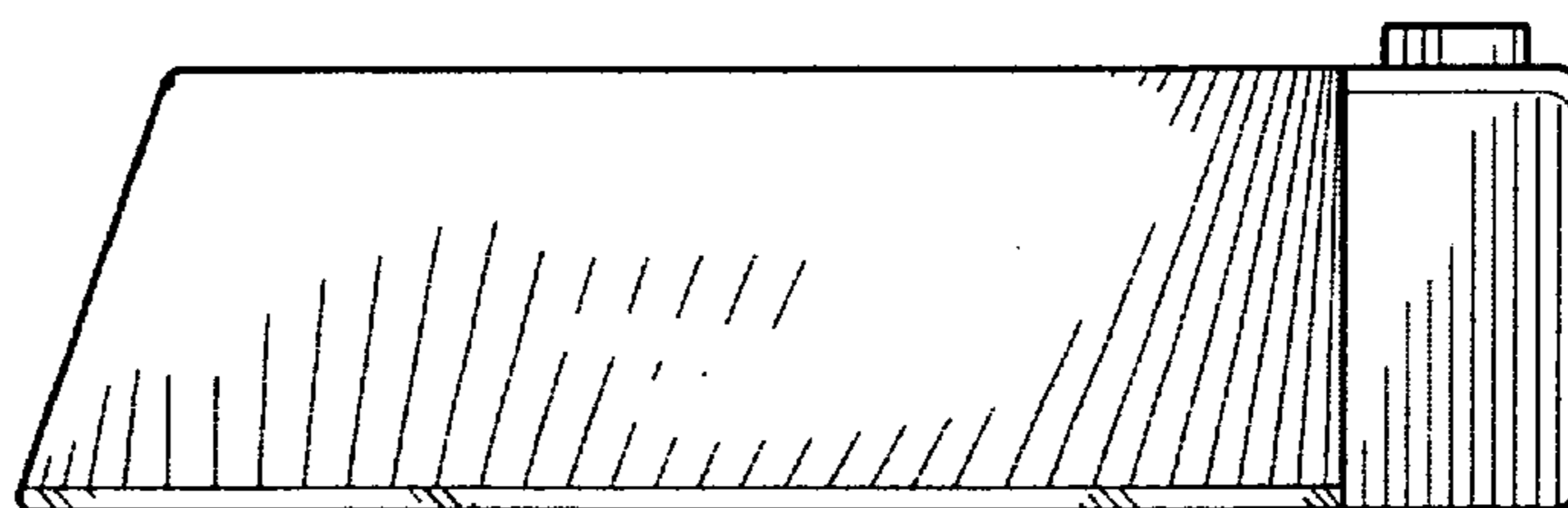
*Fig. 3*



*Fig. 4*



*Fig. 5*



*Fig. 6*